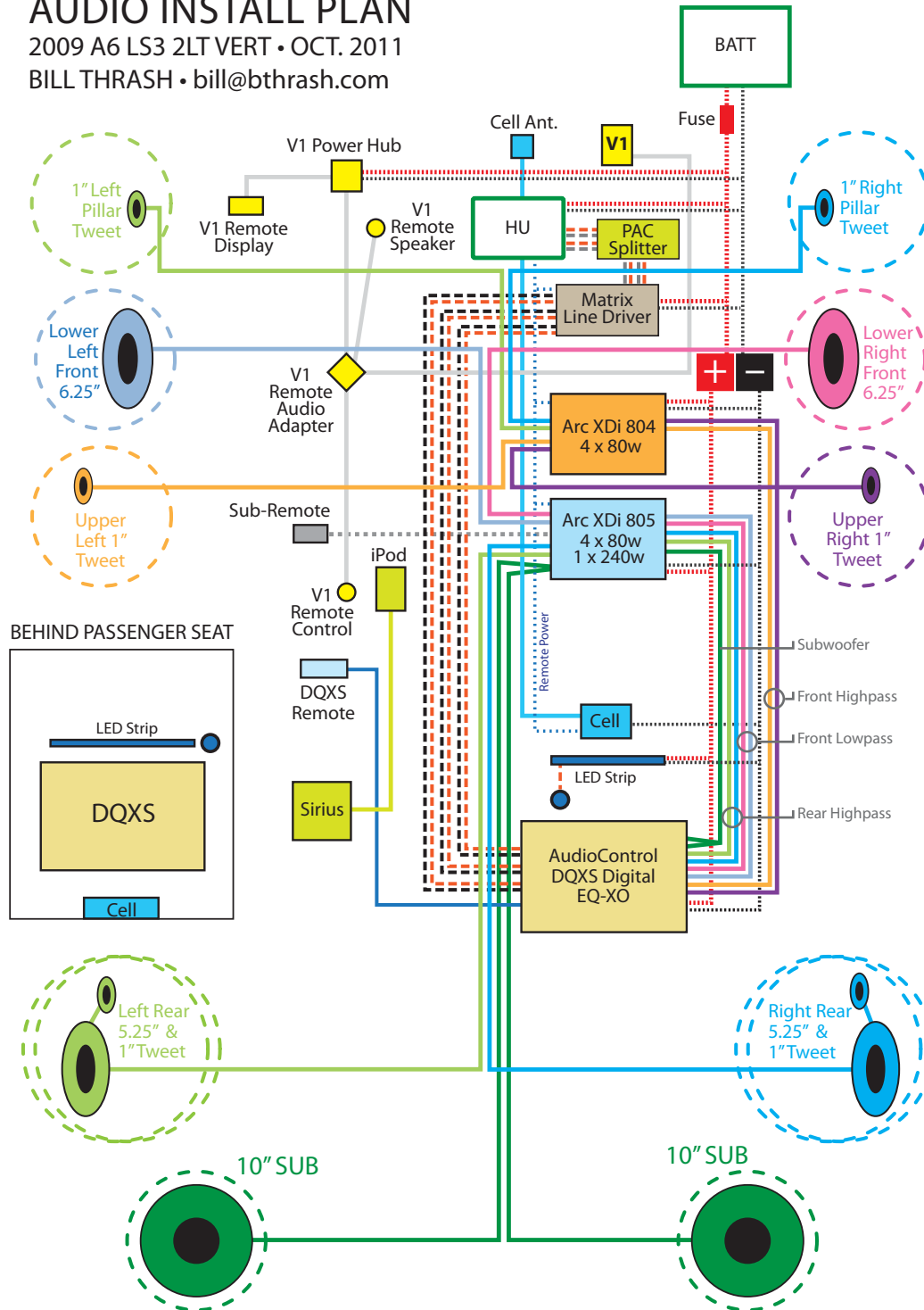


# AUDIO INSTALL PLAN

2009 A6 LS3 2LT VERT • OCT. 2011

BILL THRASH • bill@bthrash.com



## 12-SPEAKER C6 SYSTEM

- 2 - Pillar Tweeters 1"
- 2 - Lower Door Component Speakers 6.5"
- 2 - Upper Door Tweeters 1"
- 2 - Rear Component Speakers 5.25"
- 2 - Rear Tweeters 1"
- 2 - Subwoofers 10"

## C6 NEW AUDIO SYSTEM

- Stock CD HU	\$ 00.00
- PAC ADD-GM24 RCA Converter	55.00
- AudioControl Matrix 13v 6 ch. Line Driver	175.00
- AudioControl DQXS - w/remote pkg	800.00
- ARC XDi 804, 4 ch. x 80w amp (DD)	220.00
- Infinity, 1" pillar tweeters	45.00
- Focal 1" tweeter components, upper doors	00.00
- ARC XDi 805, 5 ch. x 80w amp (DD)	320.00
- Focal PS165, 6.5" components, lower doors	240.00
- Focal PS130, 5.25" components, rear	240.00
- Focal 1" tweeter components, rear	00.00
- Pioneer TSSW251 10" Subs in corner boxes	675.00
- LED Lighting Strip	25.00
- Wiring Accessories	300.00
SUBTOTAL-----	\$ 3,095.00

- Wilson Cellular-Antenna Booster	185.00
- PA50 GM iPod-Accessory Interface	50.00
- Valentine One Radar Detector	400.00
- Valentine Accessories (custom mods)	300.00
SUBTOTAL-----	\$ 935.00

## SOUND DEADENING

- VetteNuts Precut Deadening Package	177.00
- Mid-America Door Quiet Ensolite Package	30.00
- Mid-America Precut Ensolite Package	120.00
- RaamAudio Ensolite	90.00
- RaamAudio BXTII	125.00
- RaamAudio Alumalite door hole covers (2)	60.00
- RaamAudio Alum channel stiffeners (4)	25.00
- S.D.S. Extruded Butyl Rope (4)	50.00
- Speaker door mount plates	85.00
- FrostKing press & seal (for filling)	30.00
- HH-66 Vinyl contact cement	13.00
- Soldering Heat-Shield cloths (2)	45.00
SUBTOTAL-----	\$ 850.00