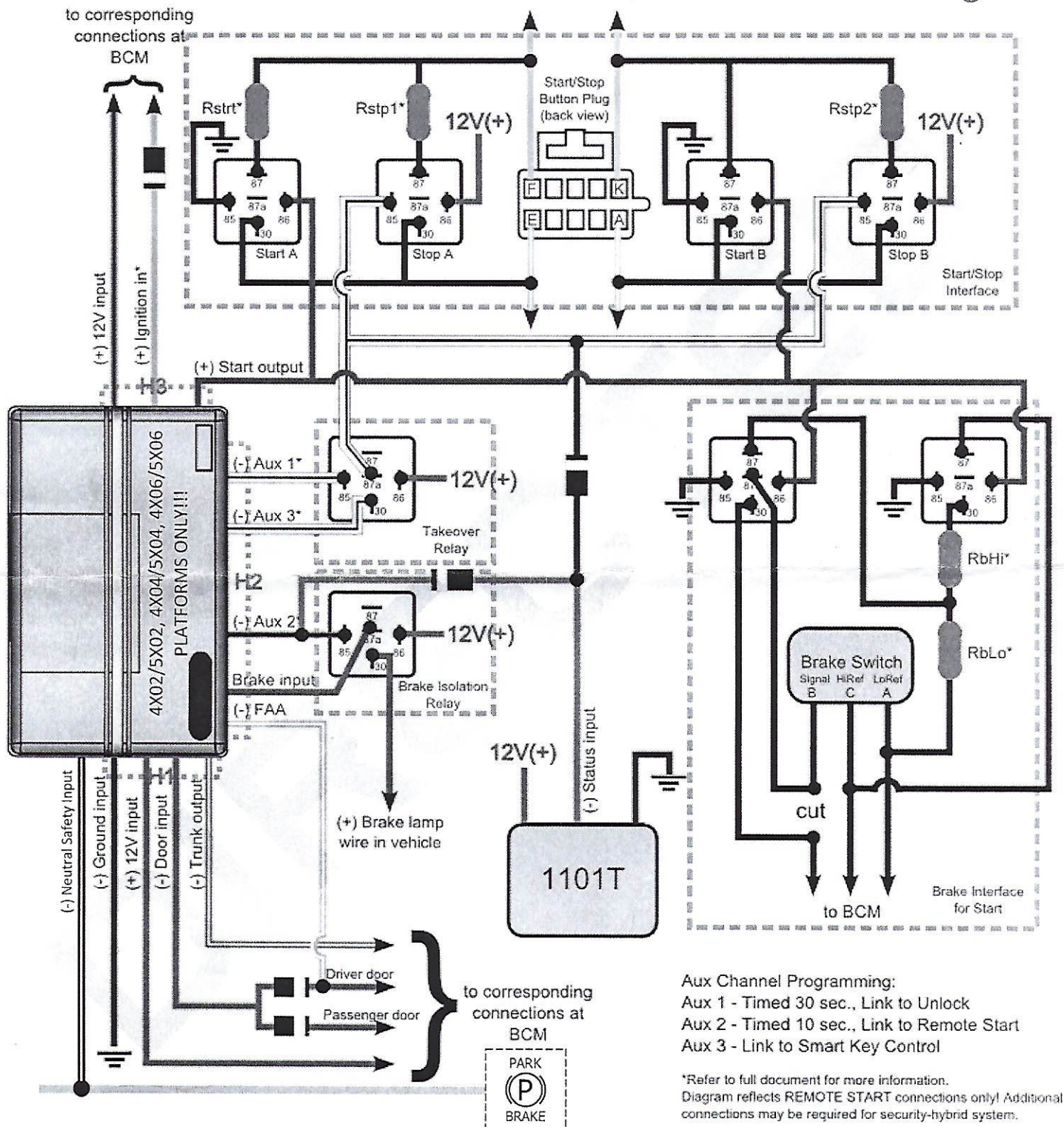


First Generation Gm Push-to-Start Quick Reference Diagram



IMPORTANT! This wiring information is being provided free of charge on an "as is" basis, without any representation or warranty. It is the dealer's responsibility to verify any circuit before interfacing with it using a digital multi-meter. Directed assumes no responsibility with regards to the accuracy or currency of this information. Proper installation in every case remains the responsibility of the installer. Directed assumes no liability or responsibility resulting from an improper installation, even in reliance of this information.