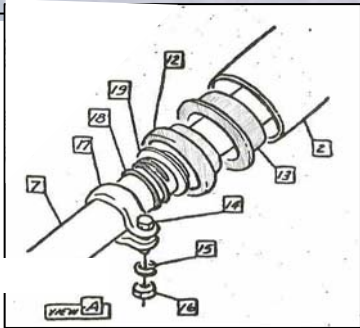
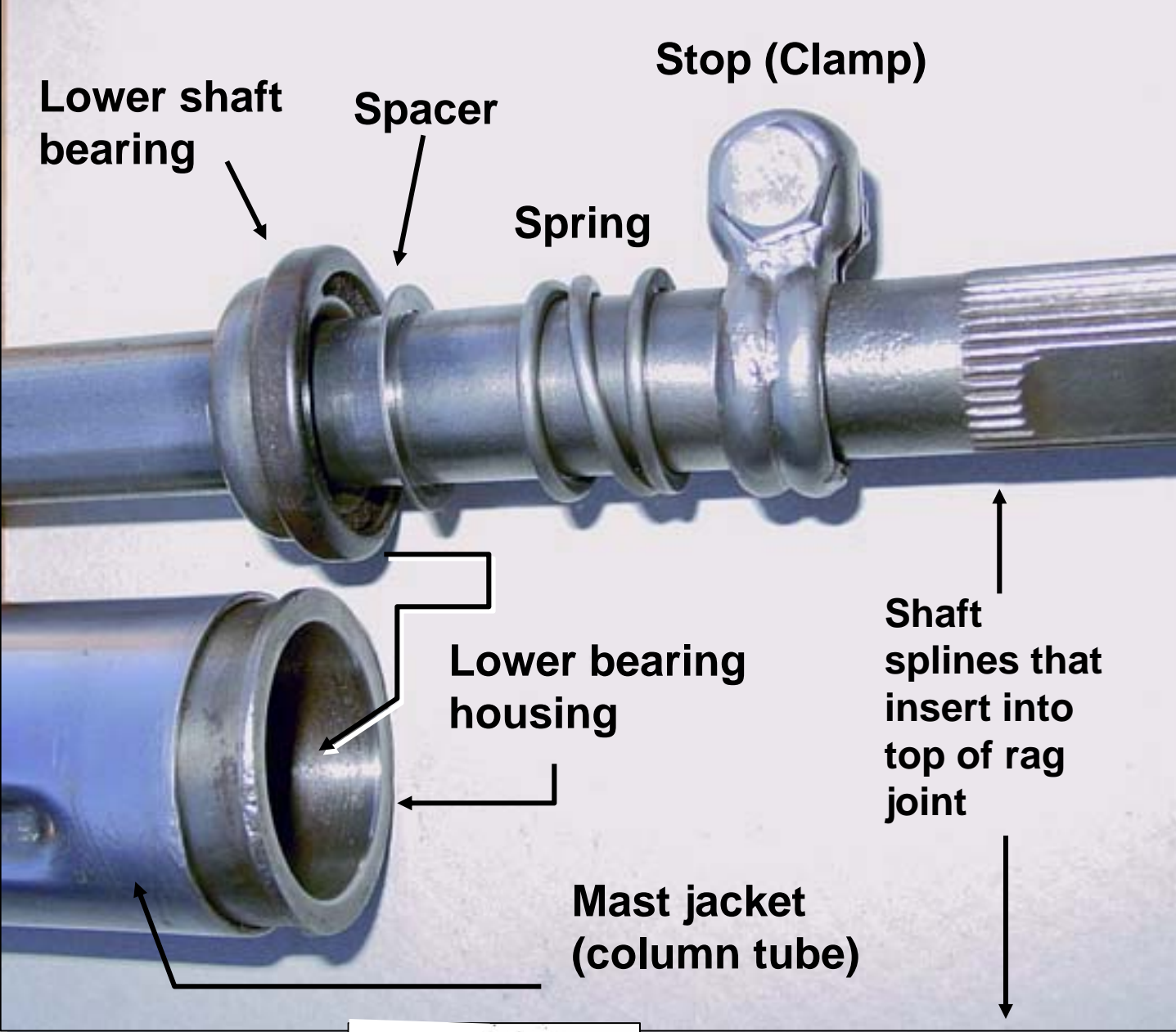


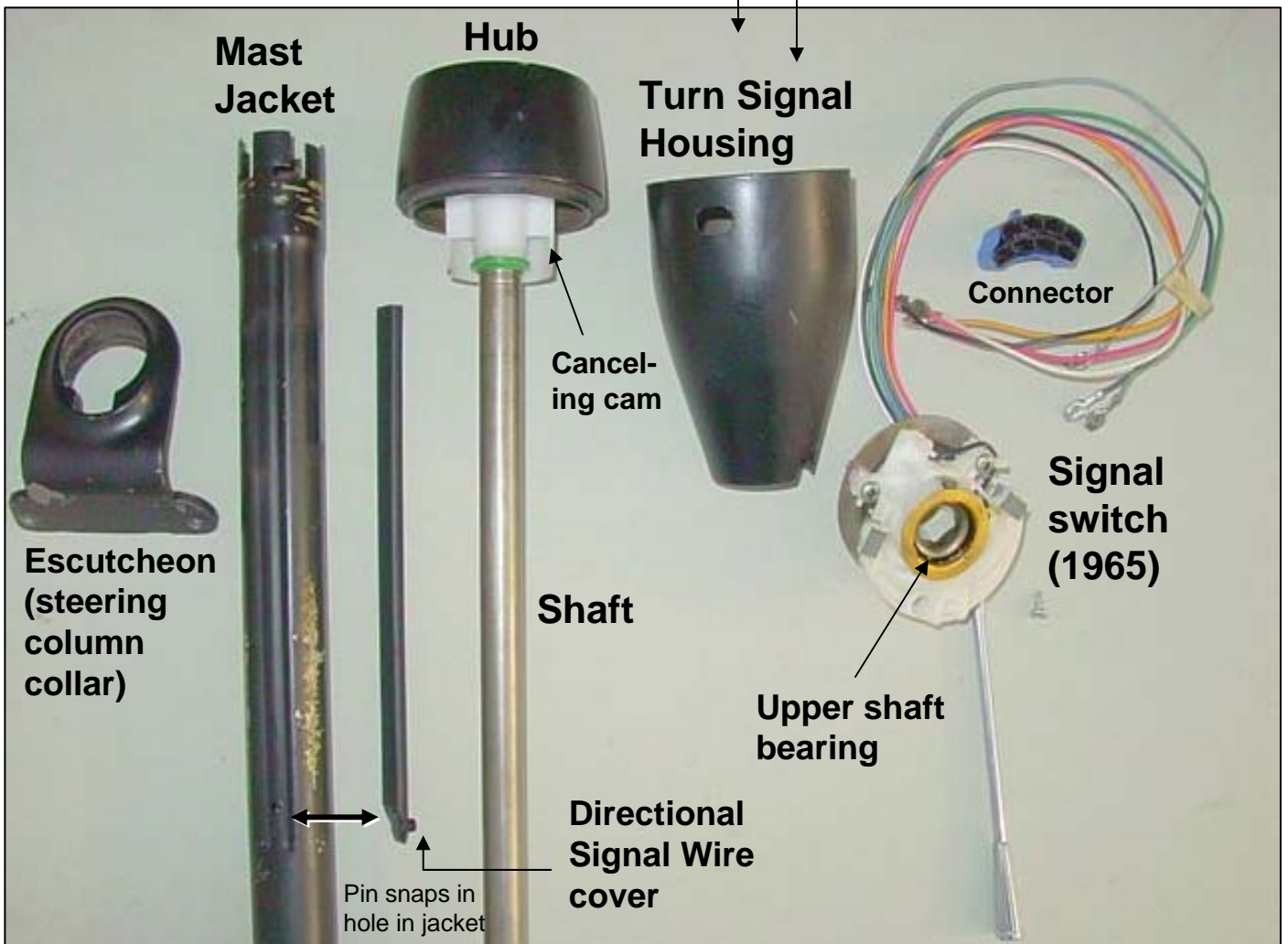
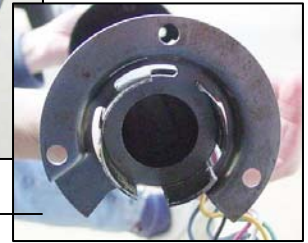
This is the "hardware" on the lower end of the steering shaft. The housing is loosely installed for illustration only. Frequently, owners report that the spacer was missing from their car or that the lower bearing was highly deteriorated.

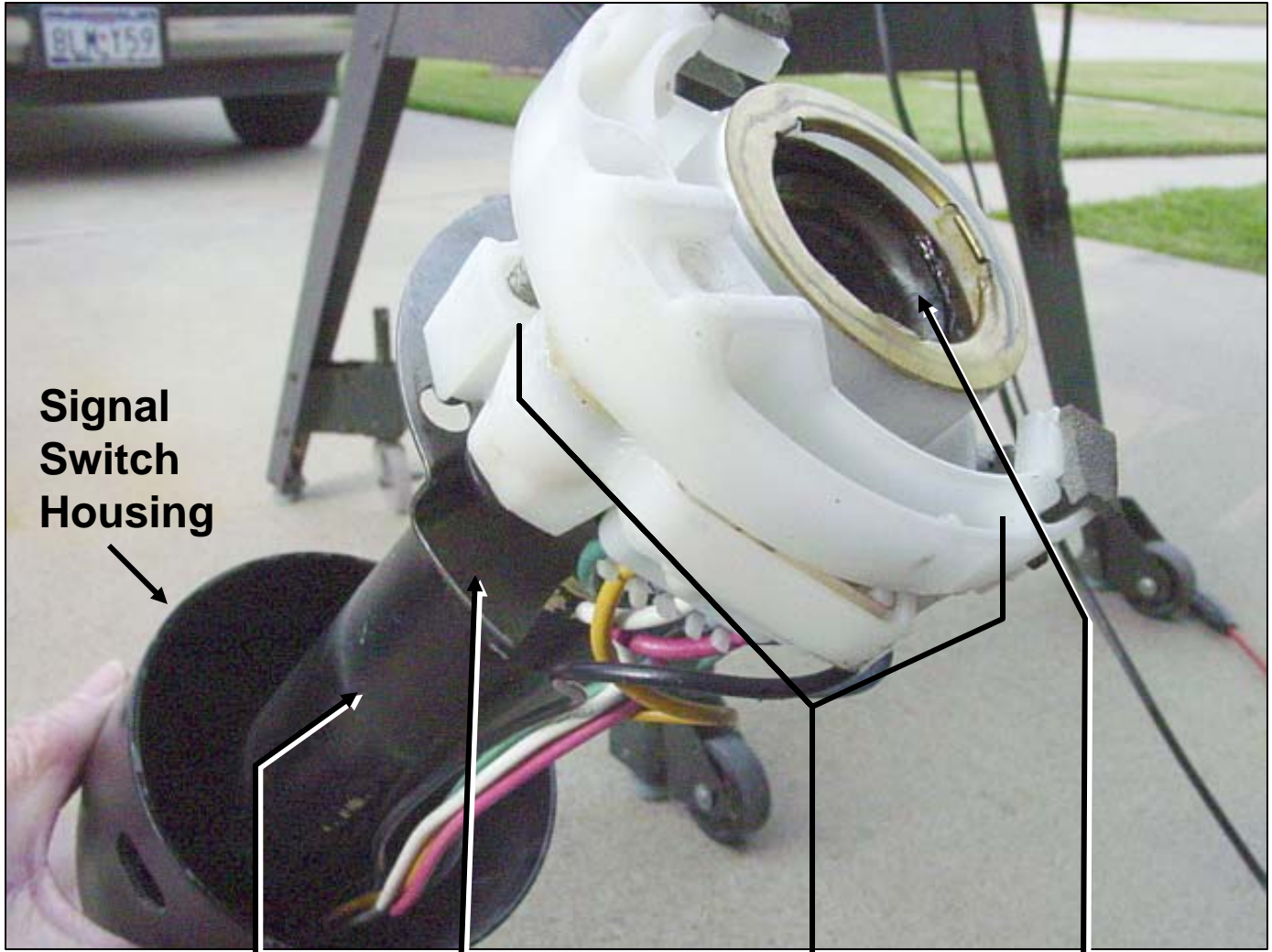


Hub



Retainer
(below
switch)





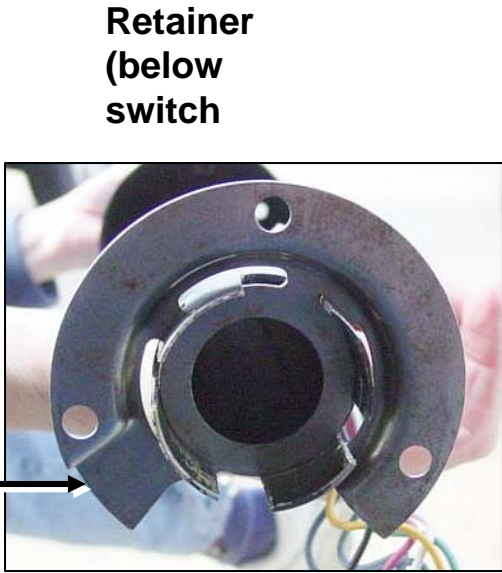
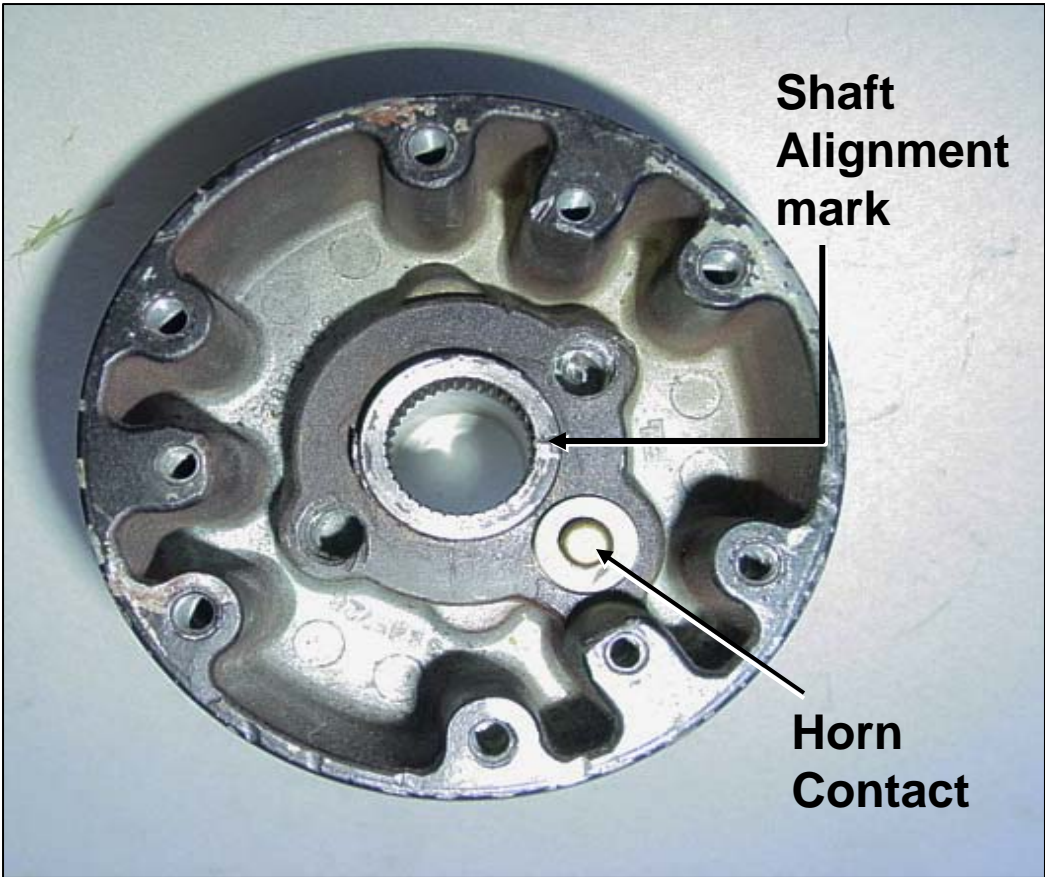
**Signal
Switch
Housing**

**Column
tube**

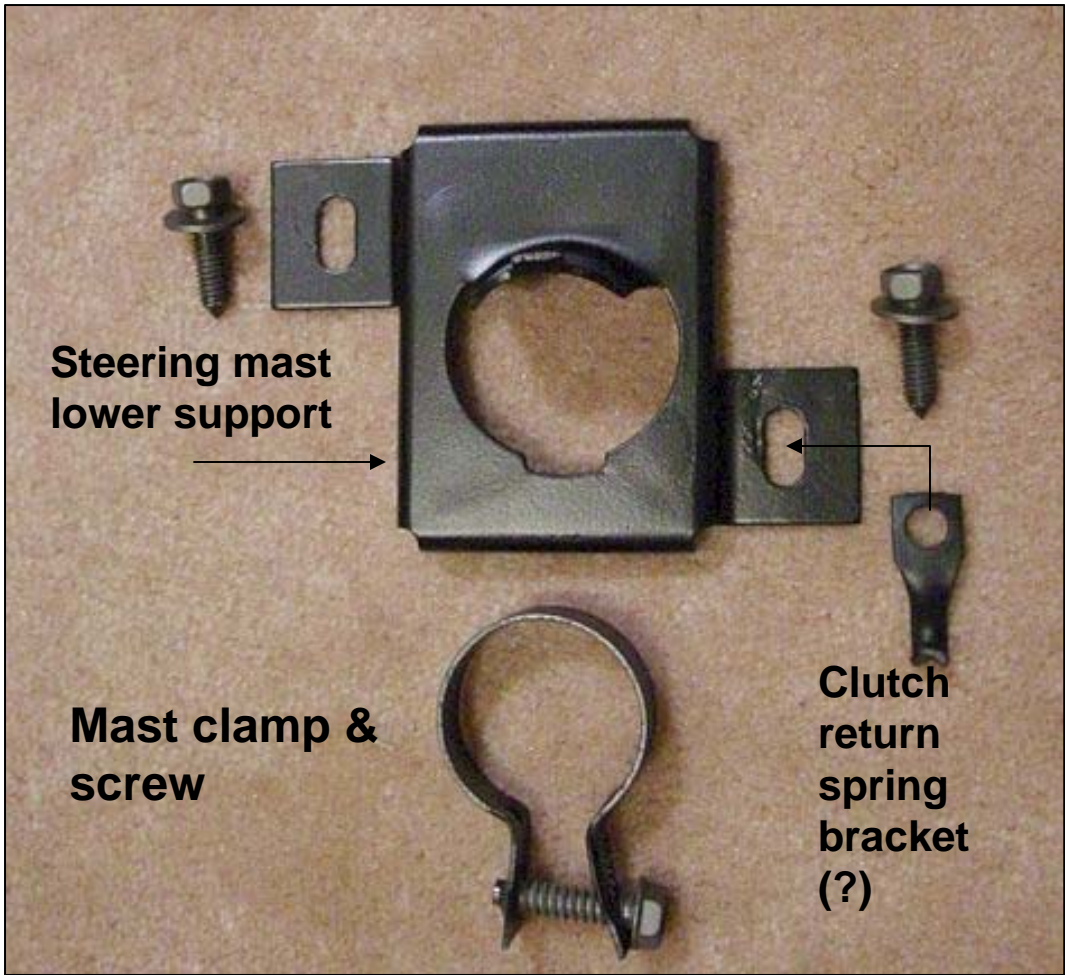
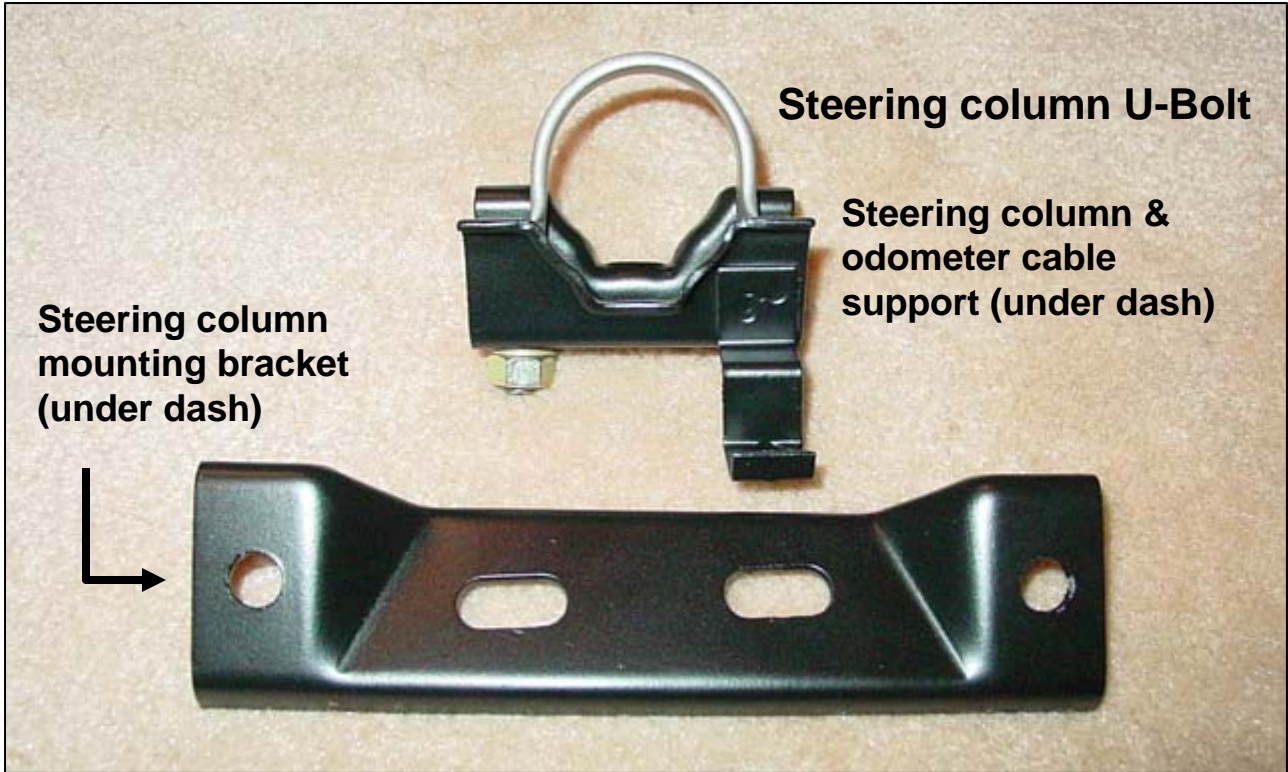
Retainer

Signal Switch

Upper bearing



Switch in housing





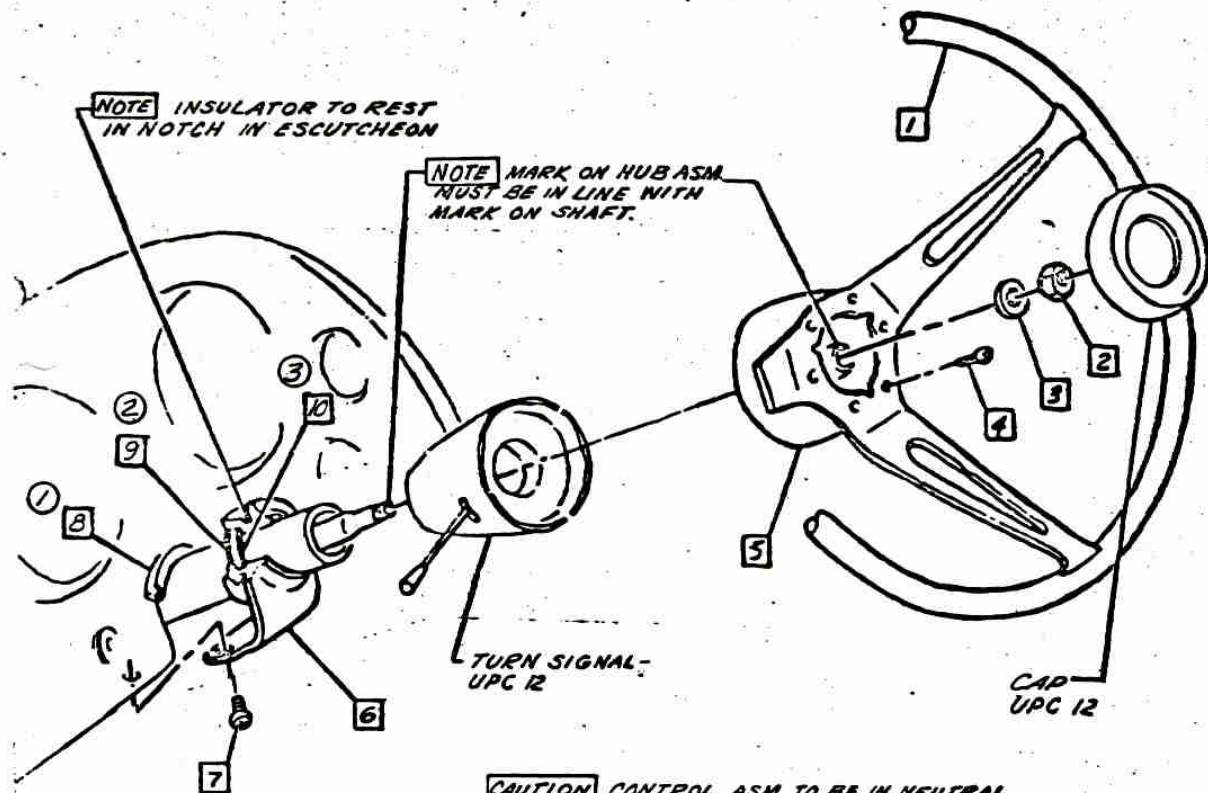
CHEVROLET

ASSEMBLY INSTRUCTIONS

3865300

CORVETTE 19000 SERIES

- 1 9740603 INSERT & RIM ASM.
- 2 114496 NUT
- 3 415919 WASHER
- 4 9418712 SCREW
- 5 3828382 HUB ASM
- 6 3864321 ESCUTCHEON
- 7 9417378 SCREW
- 8 3839150 INSULATOR
- 9 3839152 RETAINER
- 10 3839151 GROMMET



CAUTION CONTROL ASM. TO BE IN NEUTRAL POSITION WHEN ASSEMBLING STEERING WHEEL TO PREVENT DAMAGE TO CANCELLING CAM.

- ▲ 30-40 LBS. FT.
- ▲ 20-30 LBS. IN.
- ▲

CHEVROLET MOTOR DIVISION, GMC				UPC	DATE	SYN	REVISION RECORD	AUTH.	DR	CK
STEERING WHEEL & ESCUTCHEON				9	7-24-64	1	WAS SYM. 9		DB	
						2	WAS SYM. 10			
						3	WAS SYM. 11			CI
19000				5.						
DWG	145/CA	REF: 5.00	L-61320	L-58012						
DATE	REL. 6-9	L-	L-	L-	SECRET X					



CHEVROLET

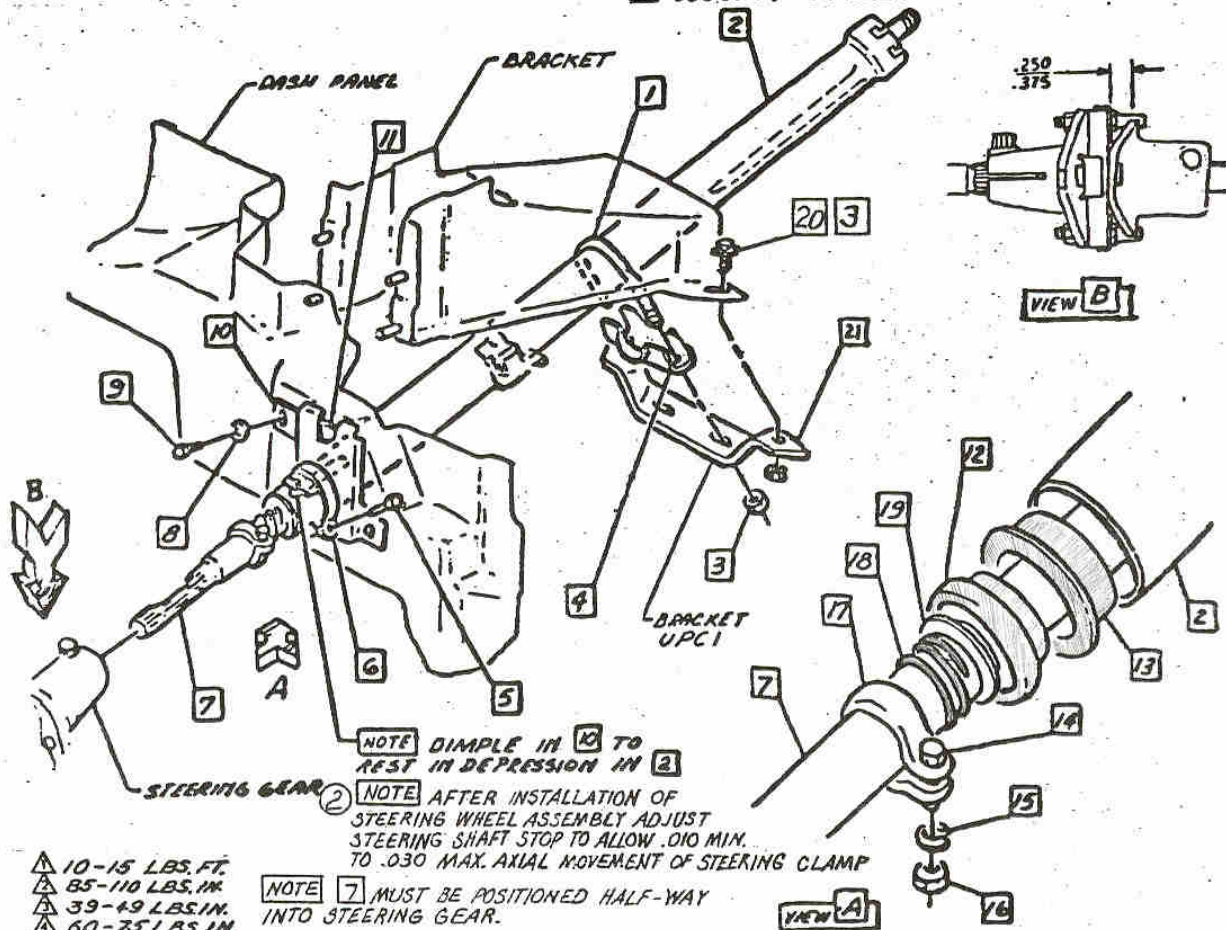
ASSEMBLY INSTRUCTIONS

3865300

CORVETTE 19000 SERIES

- 1 3823920 "U" BOLT
- ① 2 3866469 JACKET-STEERING GEAR
- ⚠ 3 271184 NUT ASM
- 4 3839153 SUPPORT ASM
- ⚠ 5 3826260 SCREW
- 6 5829228 CLAMP
- 7 5690810 SHAFT
- 8 3739664 WASHER
- ⚠ 9 3847758 SCREW ASM
- 10 3639156 SUPPORT-LOWER

- 11 3839157 SEAL
- 12 5671965 BEARING ASM
- 13 3824101 SEAT
- 14 121906 BOLT
- 15 103319 L. WASHER
- ⚠ 16 134551 NUT
- 17 5772212 STOP
- 18 3758803 SPRING
- 19 3840897 SPACER
- 20 3846202 SCREW ASM
- 21 3839147 BRACKET



CHEVROLET MOTOR DIVISION, GMC.		UPC	DATE	SYM	REVISION RECORD	AUTH.	DR	CR.
JACKET & SUPPORT ASSEMBLY		9	6-23-64	1	WAS 3841552 JACKET	63679	BX	CI
19000		4.	7-20-64	2	ADJUST NOTE ADDED	64797	BX	CI
DWG	WS/CI REF: 4.00	L-61320	L-58006					
DATE REL: 6-7	L-59012	L-65928						
		☑ SHEET 1						

