

Speaker grille mounting for a mid-year Corvette

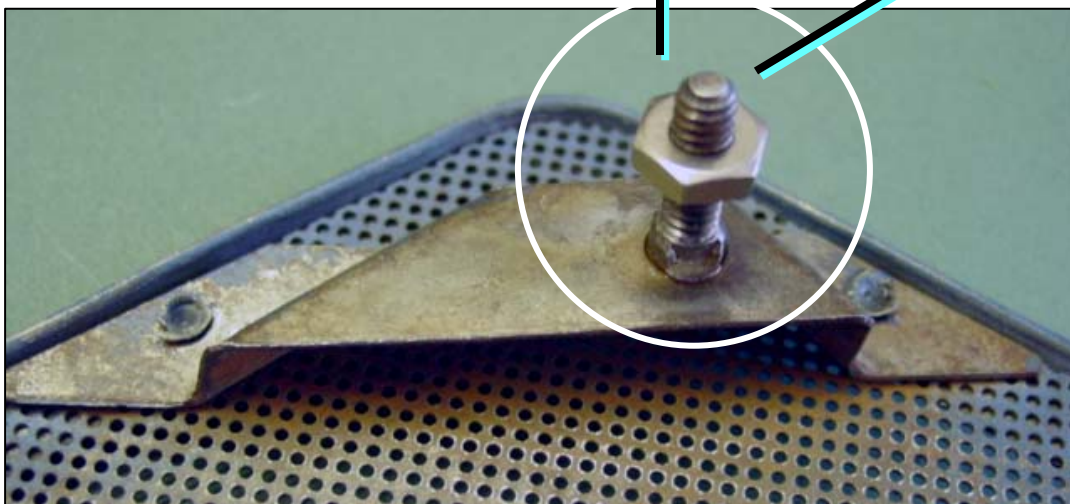


Dave Zuberer

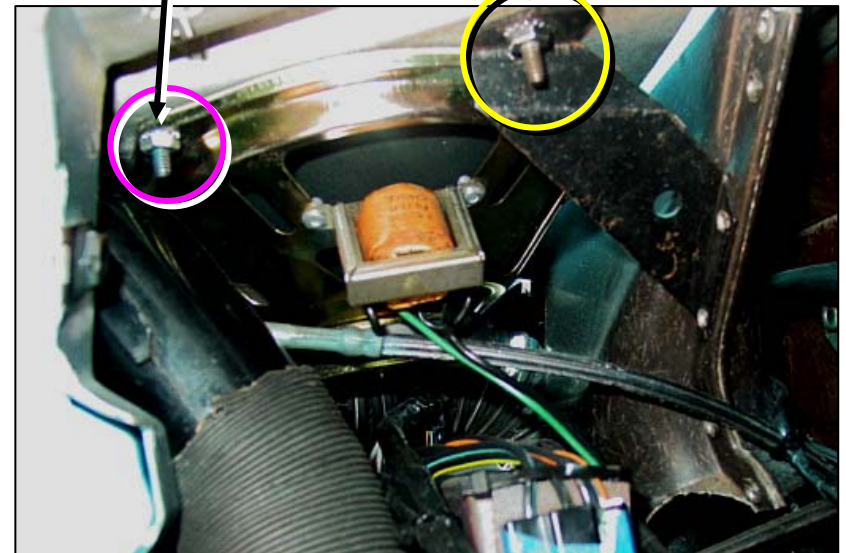
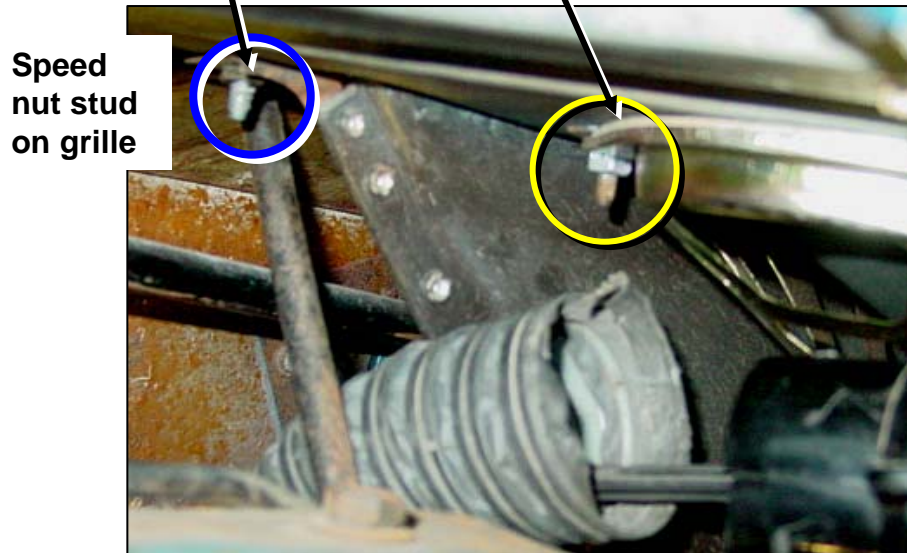
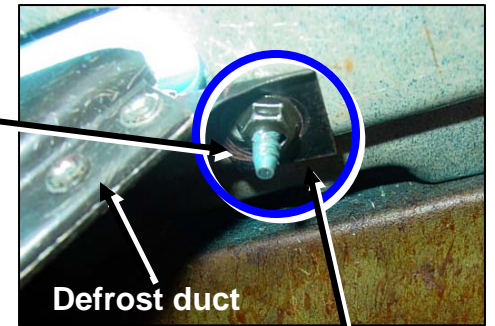
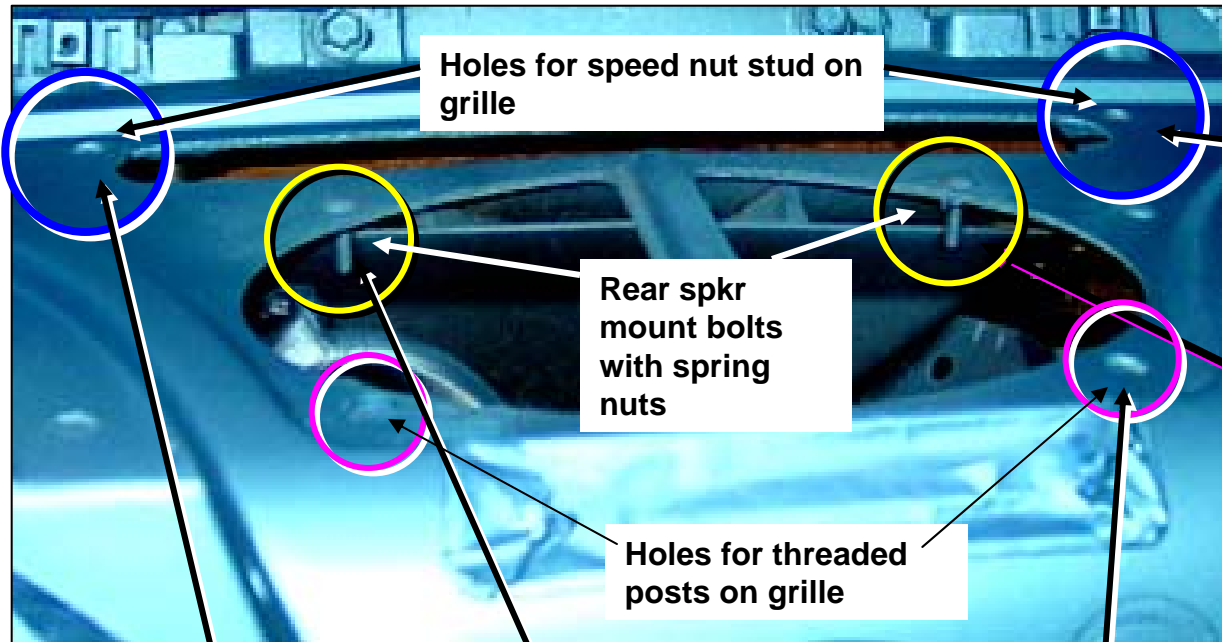
Mid-year speaker grill



This is a repair I had to make as one of the brackets was missing.



Narrow end of grille has two threaded studs (white circles). The wider side has two studs for speed nuts.





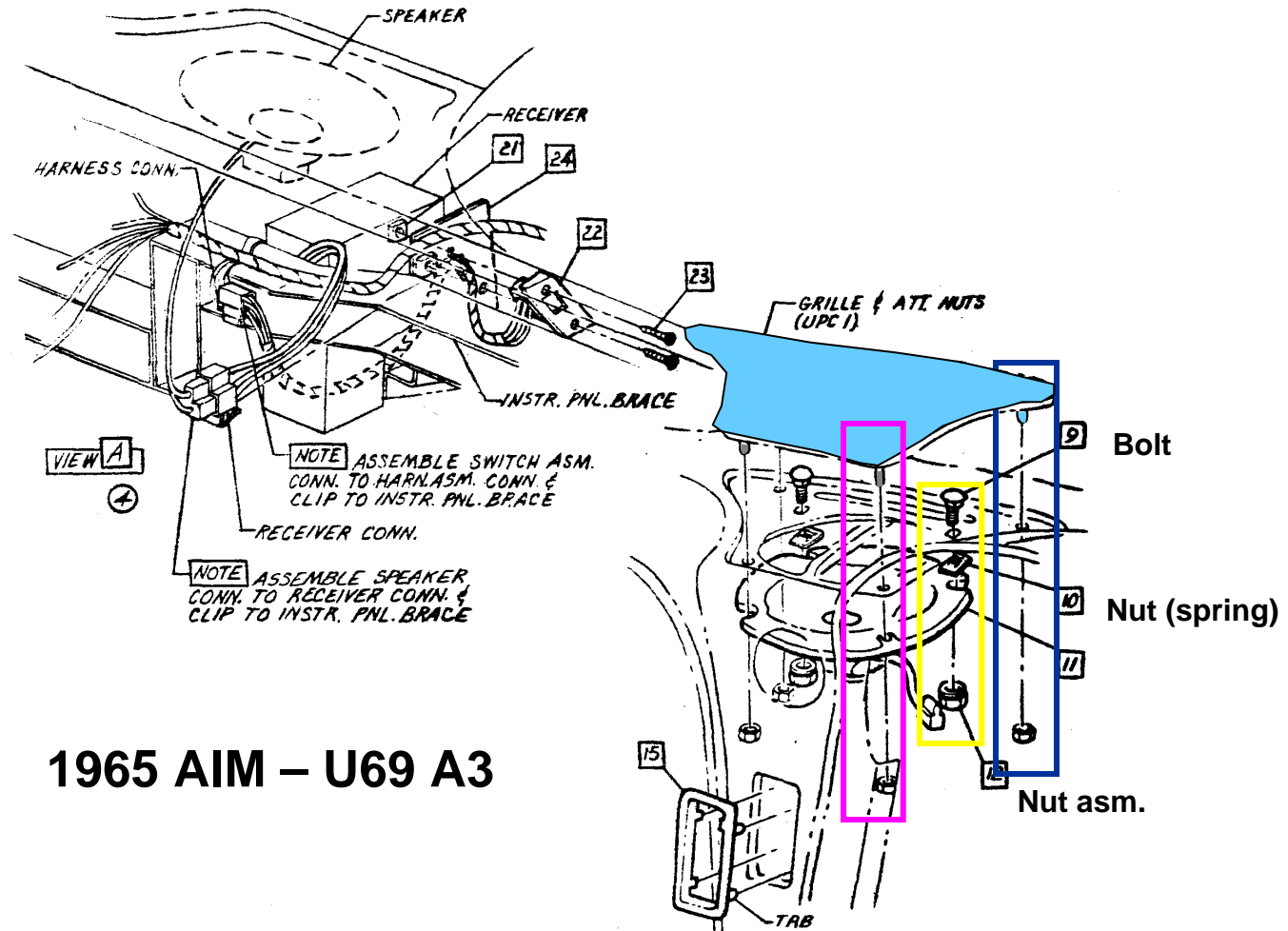
E368
ELECTRICAL

ASSEMBLY INSTRUCTIONS

3865300

CORVETTE 19000 SERIES

- ① 21 9419841 NUT
- 22 3866458 SWITCH ASM-RADIO ANTENNA
- ② 23 454738 SCREW
- ③ 24 3869739 TRIM PANEL L.H.



1965 AIM - U69 A3