



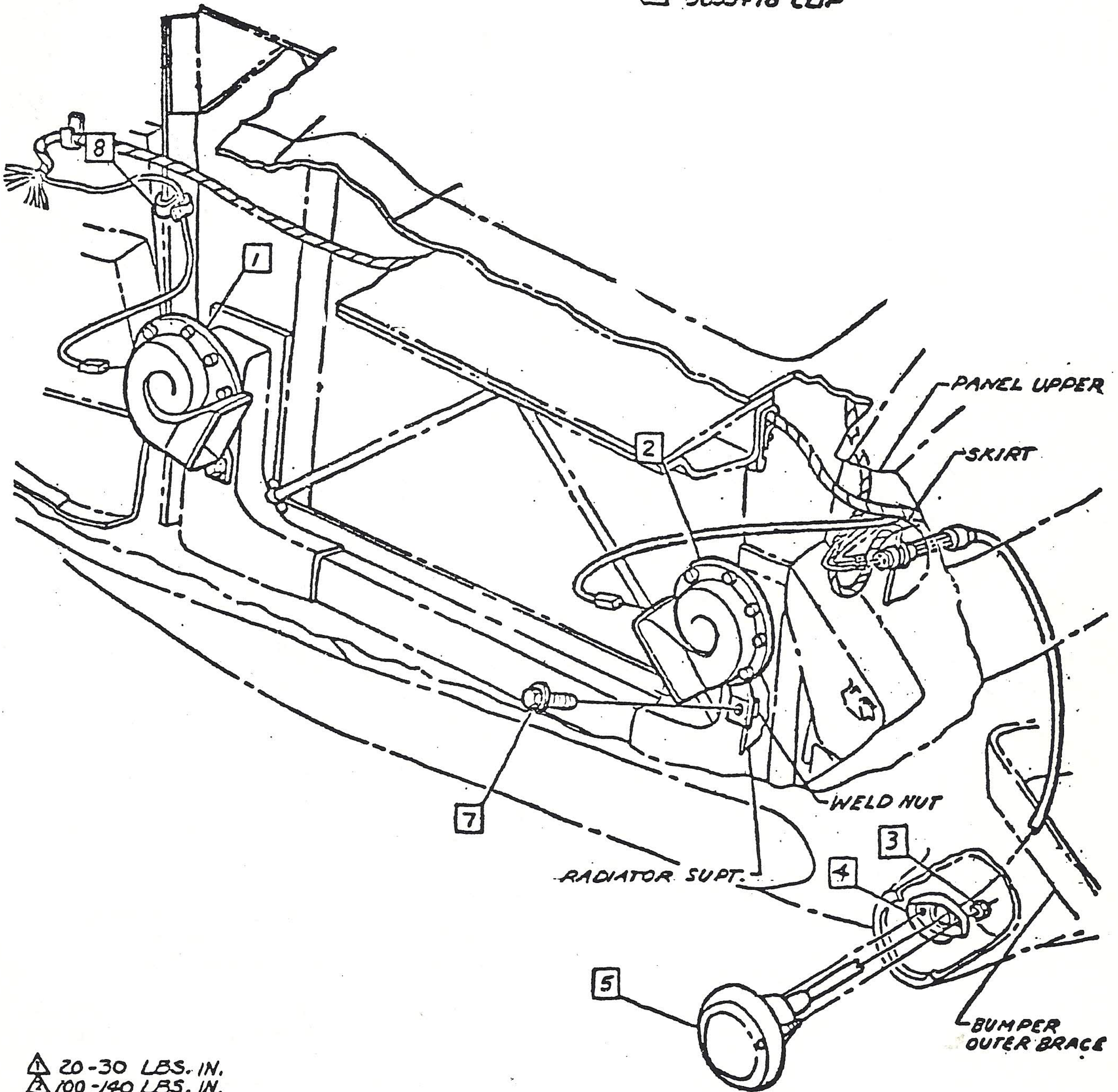
CHEVROLET

ASSEMBLY INSTRUCTIONS

3891772 CORVETTE 19000 SERIES

- 1 9000428 HORN ASM (HI NOTE)
- 2 9000487 HORN ASM (LOW NOTE)
- 3 3759924 NUT

- 4 3819648 SUPPORT
- 5 910415 LAMP ASM
- 6
- 7 3848408 BOLT
- 8 3833476 CLIP



- ▲ 20-30 LBS. IN.
- ▲ 100-140 LBS. IN.
- ▲
- ▲

CHEVROLET MOTOR DIVISION, GMC				UPC	DATE	SYM	REVISION RECORD	AUTH.	DR	CK
PARKING, DIR. SIG. LAMPS & HORN				12						
13000				A5						
DWG 5-20-66	WO	REF: A6	L-65378	L-78284						
DATE REL. 6-13	C/	L-	L-	L-						
				SHEET X						