

1/8th turn toward rear of door to lock
Key turns toward front of door to unlock



1965 Door lock rods

Dave Zuberer



CHEVROLET

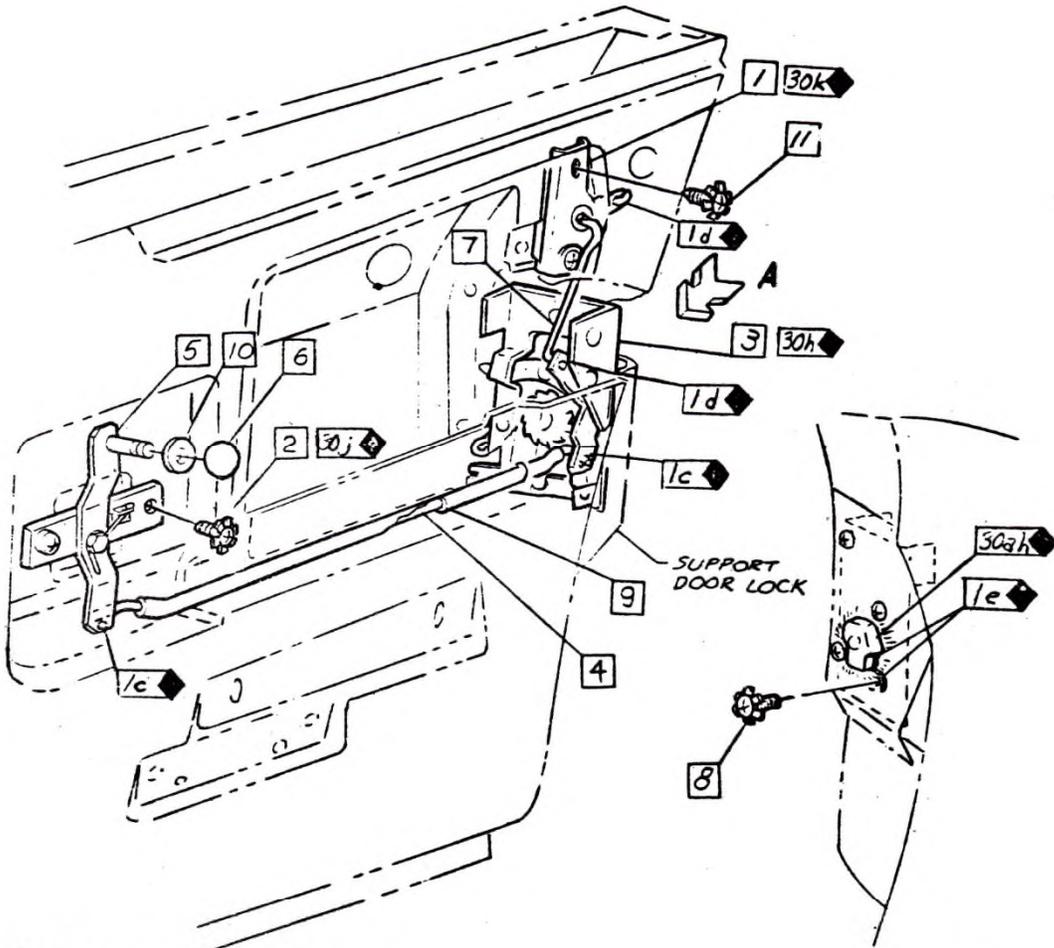
E108

ASSEMBLY INSTRUCTIONS

3865300

CORVETTE 19000 SERIES

- | | |
|---------------------------------------|--------------------------------------|
| ① 3723507 CONTROL ASM.-REMOTE CONTROL | ⑦ 3822505 ROD-REMOTE CONTROL LOCKING |
| △ ② 9418970 SCREW ASM. | △ ⑧ #591016 SCREW # L.N. ASM. |
| ① ③ 9705190-1 LOCK ASM. | ⑨ 3731566 COVER |
| ④ 3797398 ROD-LOCK REMOTE CONTROL | ⑩ 3768022 SHIELD |
| ⑤ 3797389-90 CONTROL ASM.-REMOTE | ② △ ⑪ 9420849 SCREW ASM. |
| ⑥ 3846934 KNOB-REMOTE CONTROL HANDLE | |



- △ 32-40 LBS. IN.
- △ 42-52 LBS. IN.
- △

VIEW A

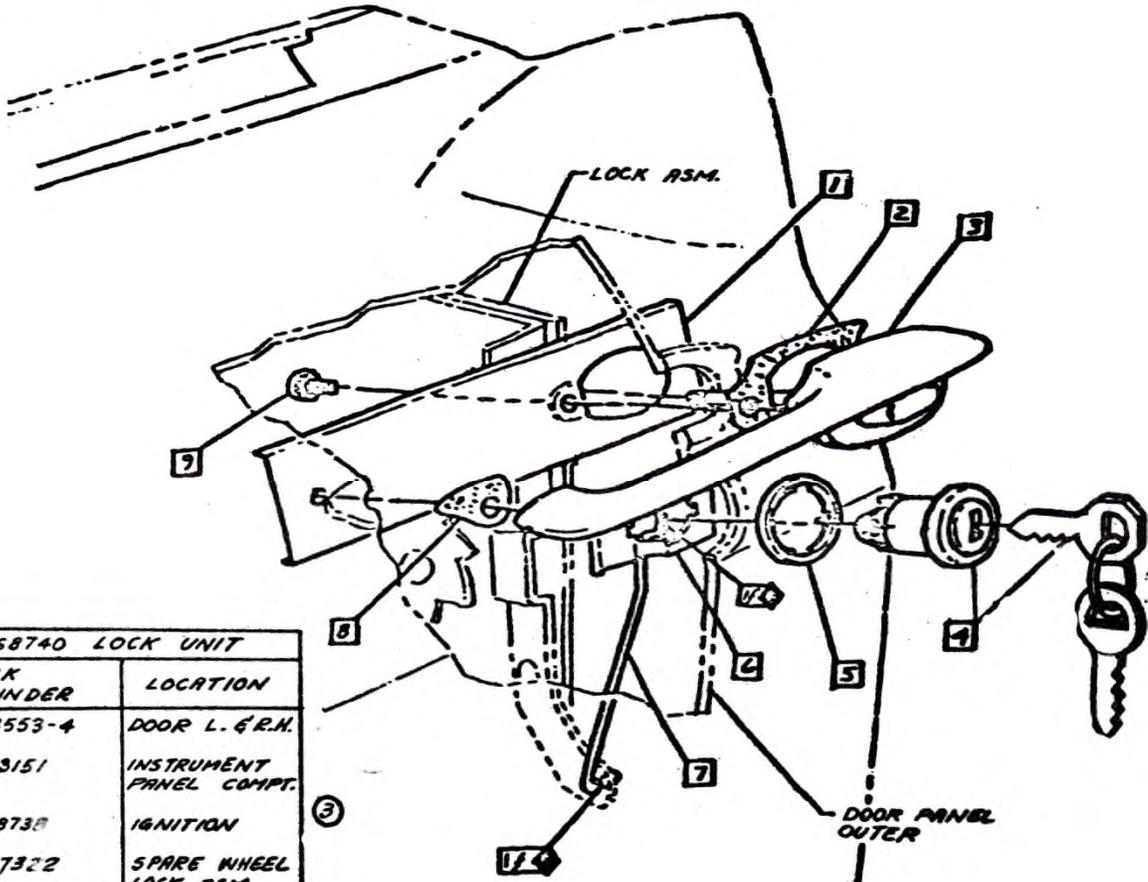
CHEVROLET MOTOR DIVISION, GMC				UPC	DATE SYN	REVISION RECORD	AUTH.	DR	CK
SIDE DOOR LOCK & REMOTE CONTROL				DOORS	1-19-65	1	WAS 9885639-5 LOCK	65229	ABC
						2	WAS 3845714 SCREW	16097	BY
19000				K 7.					
DWG	REL. G-F	58/CI	REF. 7.00		L-	L-			
				SHEET					



CHEVROLET ^{E110} ASSEMBLY INSTRUCTIONS

3865300 CORVETTE 19000 SERIES

- 1 3854681-2 REINF. HANDLE
- 6 3724127 RETAINER
- 2 3854687 GASKET-REAR
- 7 3854689-4 ROD-LOCK CYL.
- 3 3854686-6 HANDLE ASM.
- ① 8 4785360 GASKET-FRONT
- ② 4 LOCK CYLINDER ASM. SEE CHART BELOW
- △ 9 3770303 SCREW ASM.
- 5 3725526 ESCUTCHEON



3868740 LOCK UNIT	
LOCK CYLINDER	LOCATION
A 3784553-4	DOOR L. & R.H.
B 4553151	INSTRUMENT PANEL COMPT.
A 3868738	IGNITION
④ 3867322	SPARE WHEEL LOCK ASM.

KEY
 A-7002202 - HEX HEAD
 B-7002252 - ROUND HEAD

△ 35-50 LBS. IN.

CHEVROLET MOTOR DIVISION, GMC		UPC	DATE SYN	REVISION RECORD	NUM. IN.
SIDE DOOR HANDLE & LOCK CYLINDER		1	8-4-64	1 WAS 3854676 GASKET	10800
		DOORS	8-24-64	2 WAS 3784553-4 LOCK	63813
		K9.		3 LOCK CHART ADDED	
			1-25-65	4 WAS 3794103 LOCK	
19000					
DWG	686 REF. 9.00	L-	L-		
DATE REL 6-9		L-	L-		
		SHEET X			