

Outboard

1960 Seat Mounts – driver side

Inboard

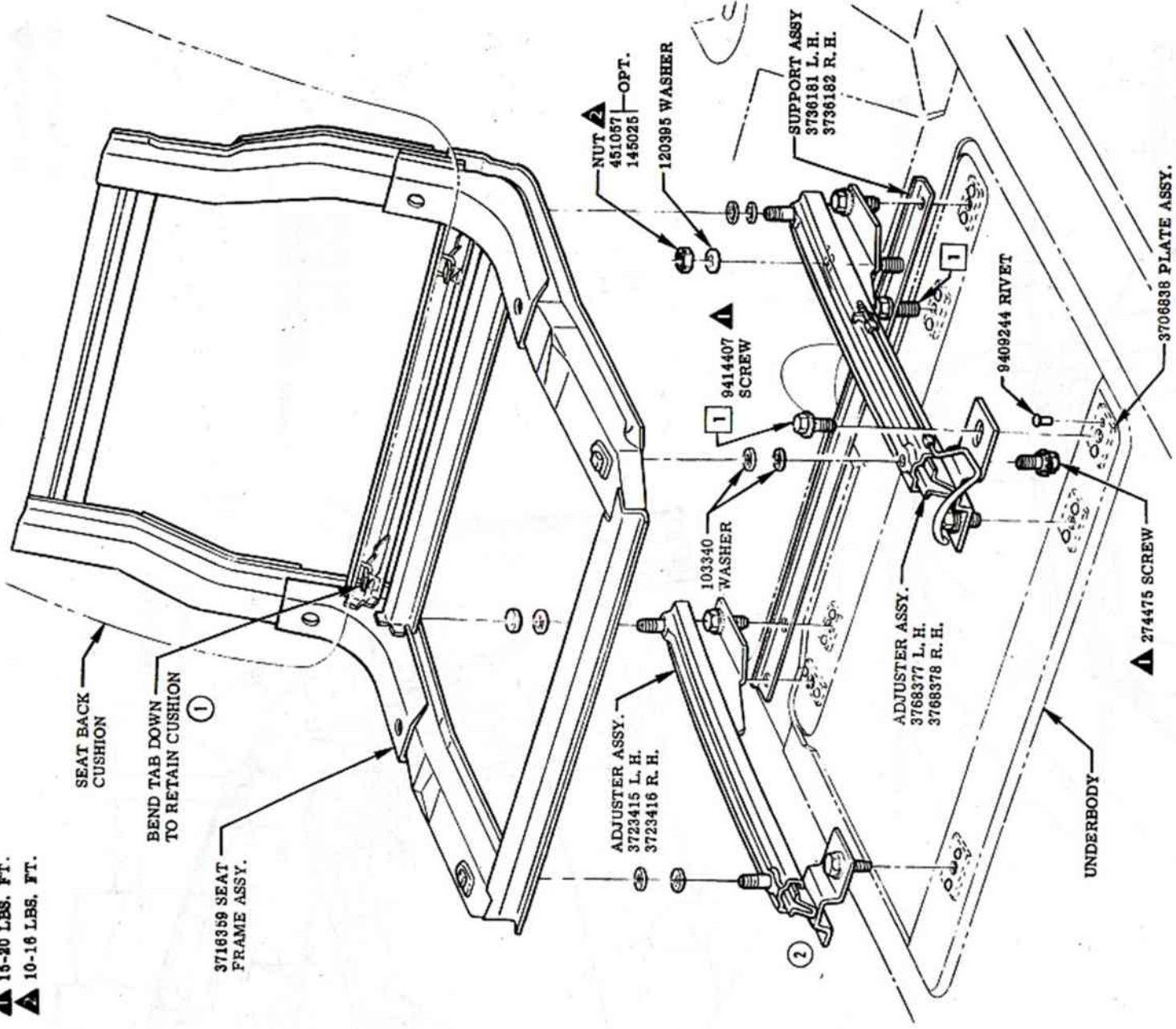


CHEVROLET MOTOR DIVISION



GENERAL MOTORS CORPORATION

▲ 15-20 LBS. FT.
▲ 10-16 LBS. FT.



SEAT FRAME & SEAT ADJUSTERS

		CORVETTE INSTRUCTION MANUAL				SHEET				
DATE	SYM.	NAME	CO	HB	DRAWN	ORR	CHECKED	BUCK	SECT.	SHEET
11-11-59	2	PICTURE REVISED	15937	F						
9-29-59	1	PICTURE REVISED, NOTE ADDED		F	19977					
		RELEASED							J	2.00
		REVISION RECORD	AUTH.	DR.	CK.	DATE	PART No.			
						6-8-59	3774300			

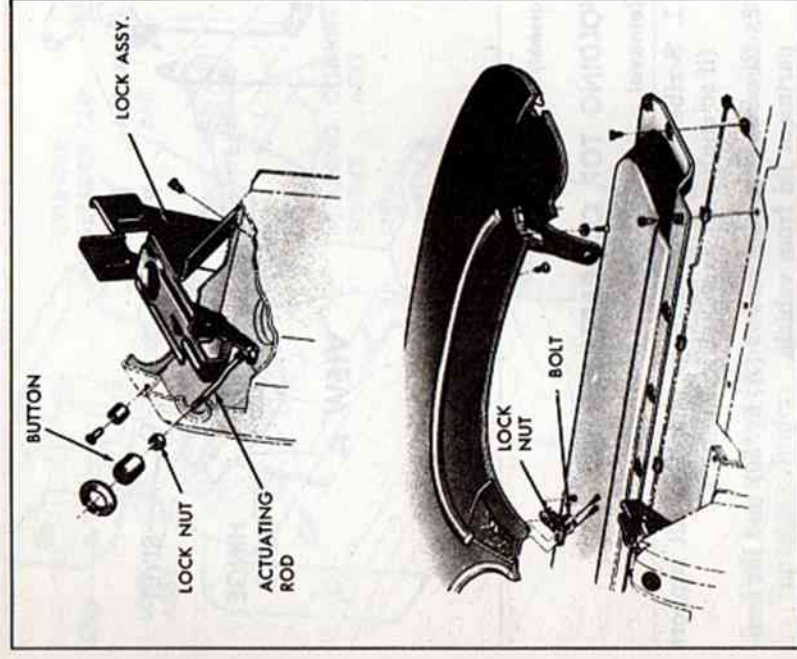


Fig. 51—Top Compartment Lid Lock

under *Folding Top Compartment Lid and Deck Lid Adjustments*.

FOLDING TOP COMPARTMENT LID LOCK (FIG. 51)

Adjustment

Engagement of bolt in folding top lid should be adjusted so that opening effort is reasonable and so that top is firmly held when latched. Bolt engagement may be adjusted by loosening lock nut and turning bolt to desired height. The distance that the actuating button protrudes from center panel may be adjusted by loosening button lock nut and rotating button to desired height.

Removal

1. Open top compartment cover.
2. Bolt assembly may be separated from lid by removing the three retaining screws.
3. Remove four screws retaining lock assembly to body.

Installation

Install by following removal instructions in reverse order; adjust as required following foregoing instructions.

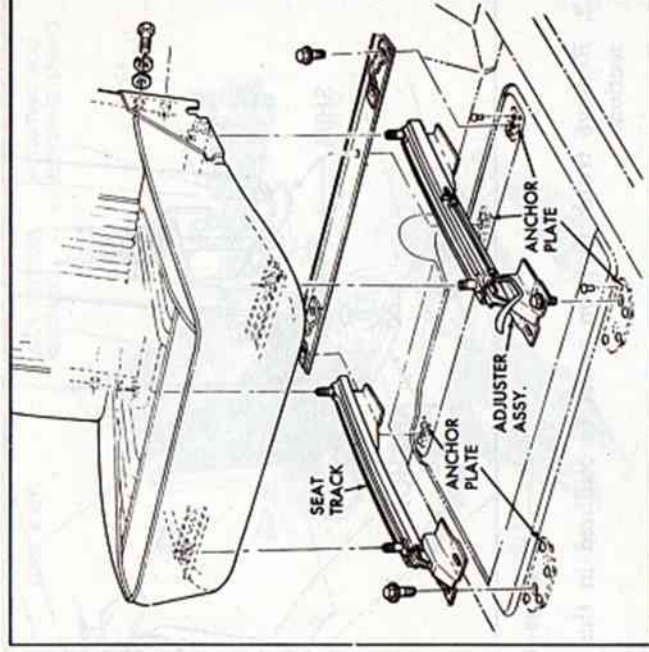


Fig. 52—Seat Assembly—1961 to 1962

TOP COMPARTMENT LID HINGE

See instructions outlined under *Deck Lid Hinge Assembly*.

SEATS

Each of the two bucket-type seats used in the Corvette are mounted on two seat tracks. The outer track of each seat contains the adjuster mechanism.

Access to the seat tracks may be obtained by removing seat assembly from vehicle on 1961 and 1962 models (fig. 52).

On earlier models access to the tracks is obtained by removing the cushions and seat backs from the seat frame. The cushion is removed by lifting the front edge and pulling forward. The seat back is removed by bending up two tabs located under each back at the bottom. The seat back may then be lifted out (fig. 53).

Seats may be removed as follows: Move seat to rearmost position to expose forward retaining bolts. Each inner track is held to the floor pan by three bolts. Each outer track is held to the floor pan by three bolts and to a cross-support by a stud and nut. Each track is held to the seat frame by two bolts. Lubriplate or its equivalent may be used for lubrication of the seat tracks.

Anchor plates may be repaired as outlined under *Doors—Door Hinges—Repairs*.

SEAT SEPARATOR

Removal

1. Remove seats as outlined in this section.
2. Remove ten screws retaining separator to body.