

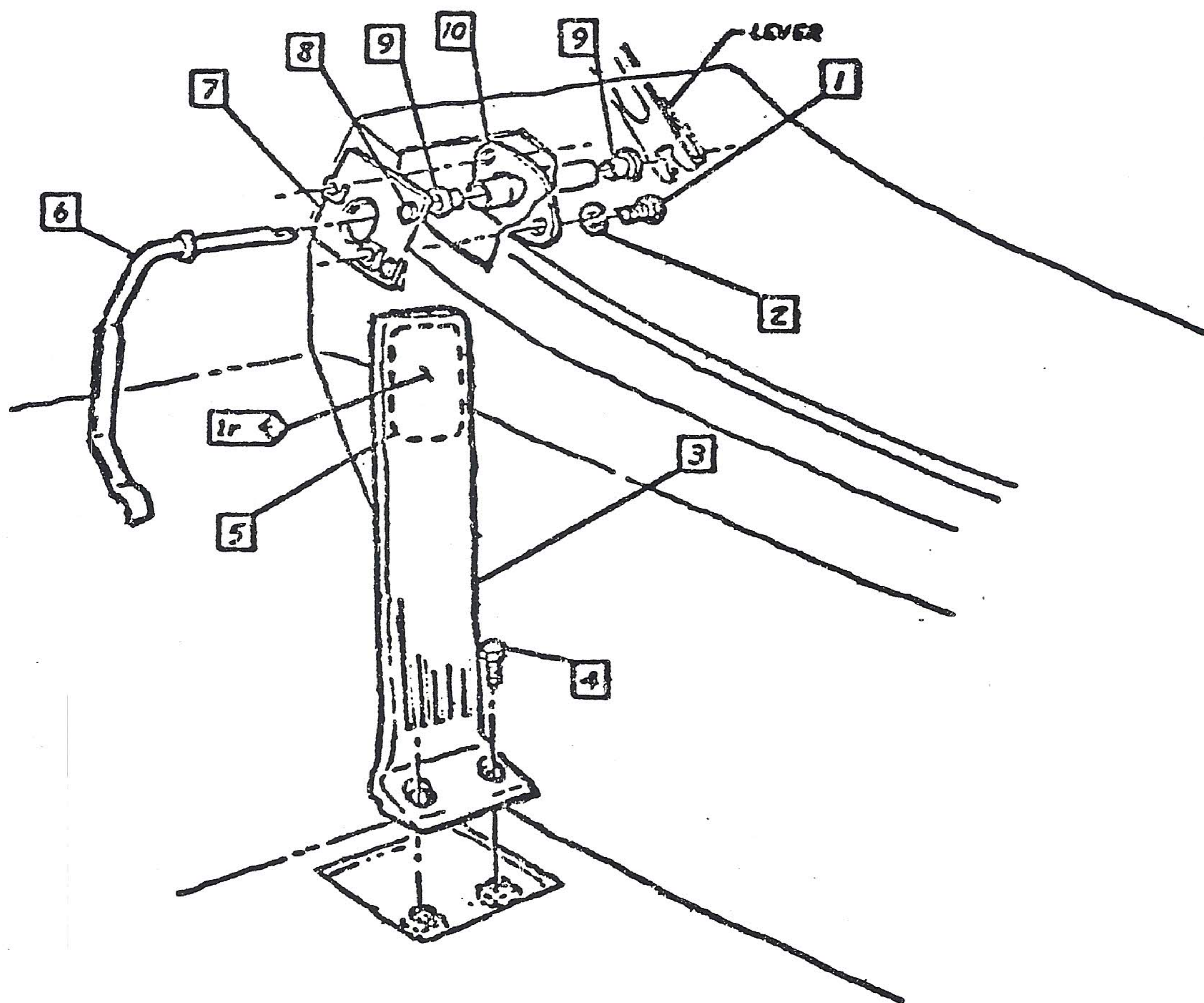


CHEVROLET

ASSEMBLY INSTRUCTIONS

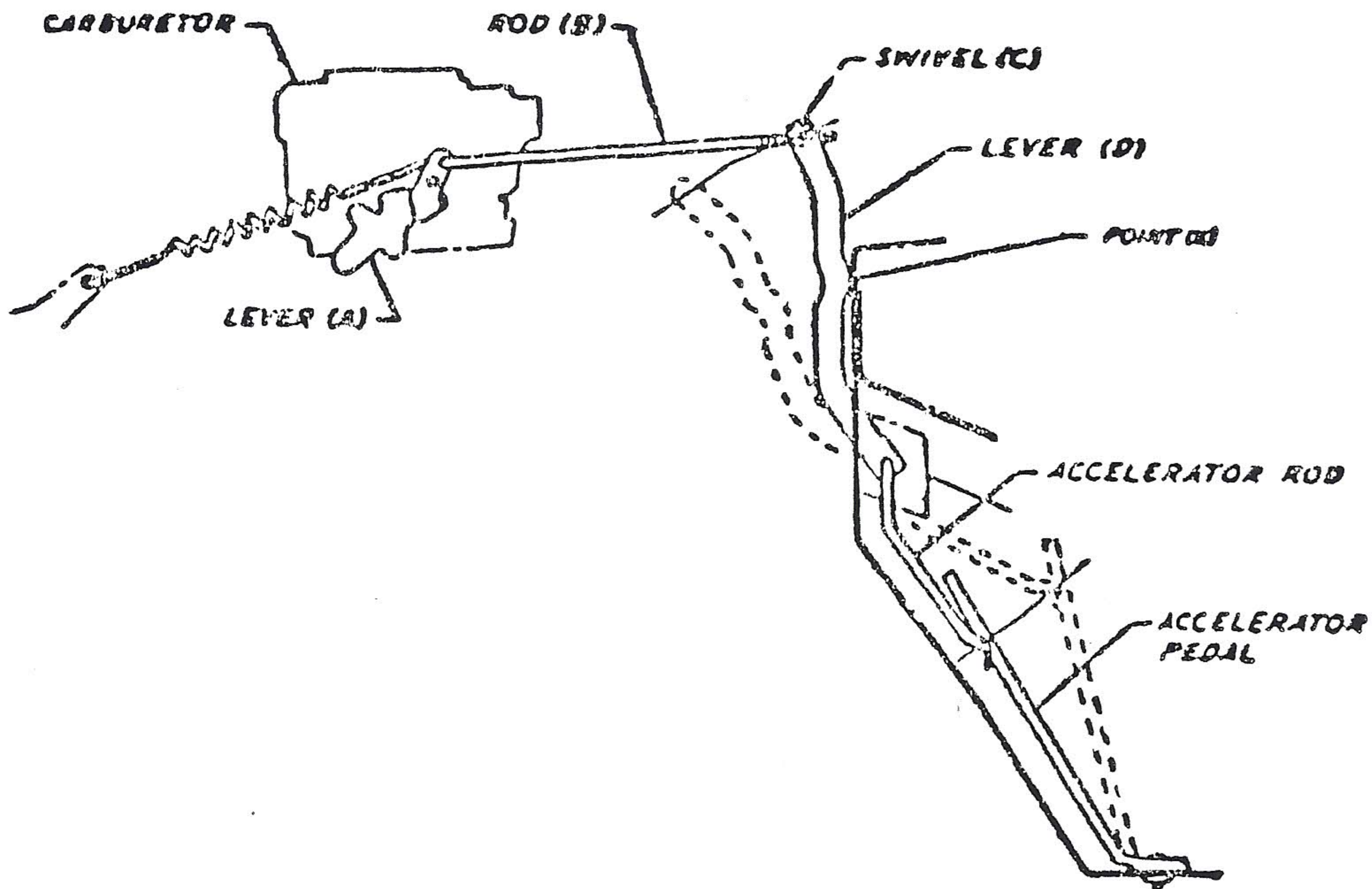
3891772 CORVETTE 19000 SERIES

- ⚠ 1 120706 BOLT
- 2 103319 L. WASHER
- 3 3830510 PEDAL ASM.
- ⚠ 4 9417307 SCREW
- 5 3825201 ANTI-SQUEAK
- 6 3847956 ROD
- 7 3824827 PLATE ASM.
- 8 455624 RIVET
- 9 3710620 BUSHING
- 10 3825202 SUPPORT ASM.



- ⚠ 45-65 LBS. IN.
- ⚠ 35-50 LBS. IN.
- ⚠
- ⚠

CHEVROLET MOTOR DIVISION, G.M.C.		UFC	DATE: SYM	REVISION RECORD	AUTH. DR. CR.
ACCELERATOR PEDAL CONTROL		6			
MOD 19000		D1			
DWG 5-18-66	GW REF. D1	- L-71030	L-	L-	L-
DATE REL. 5-20	CT				
		SHEET IX			



ACCELERATOR ADJUSTMENT

1. WITH ACCELERATOR PEDAL DEPRESSED, LEVER (D) TOUCHING DASH PANEL AT POINT (X), ROTATE LEVER (A) TO WIDE OPEN POSITION, ADJUST SWIVEL (C) ON ROD (B) FOR FREE ENTRY INTO LEVER (D).
2. CHECK ADJUSTMENT BY RELEASING, THEN DEPRESSING ACCELERATOR PEDAL. CHECK LEVER (A) FOR WIDE OPEN POSITION. IF LEVER (A) WILL NOT REACH WIDE OPEN POSITION, REPEAT STEP 1.



CHEVROLET MOTOR DIVISION, G.M.C.		UPC	DATE	SYA	REVISION RECORD	AUTH.	DR	CR
ACCELERATOR CONTROL ADJUSTMENT		6						
19000		D3						
DWG 5-19-66	GW	REF: D3	L-	L-				
DATE REL. 6-10	C/	L-	L-	L-				

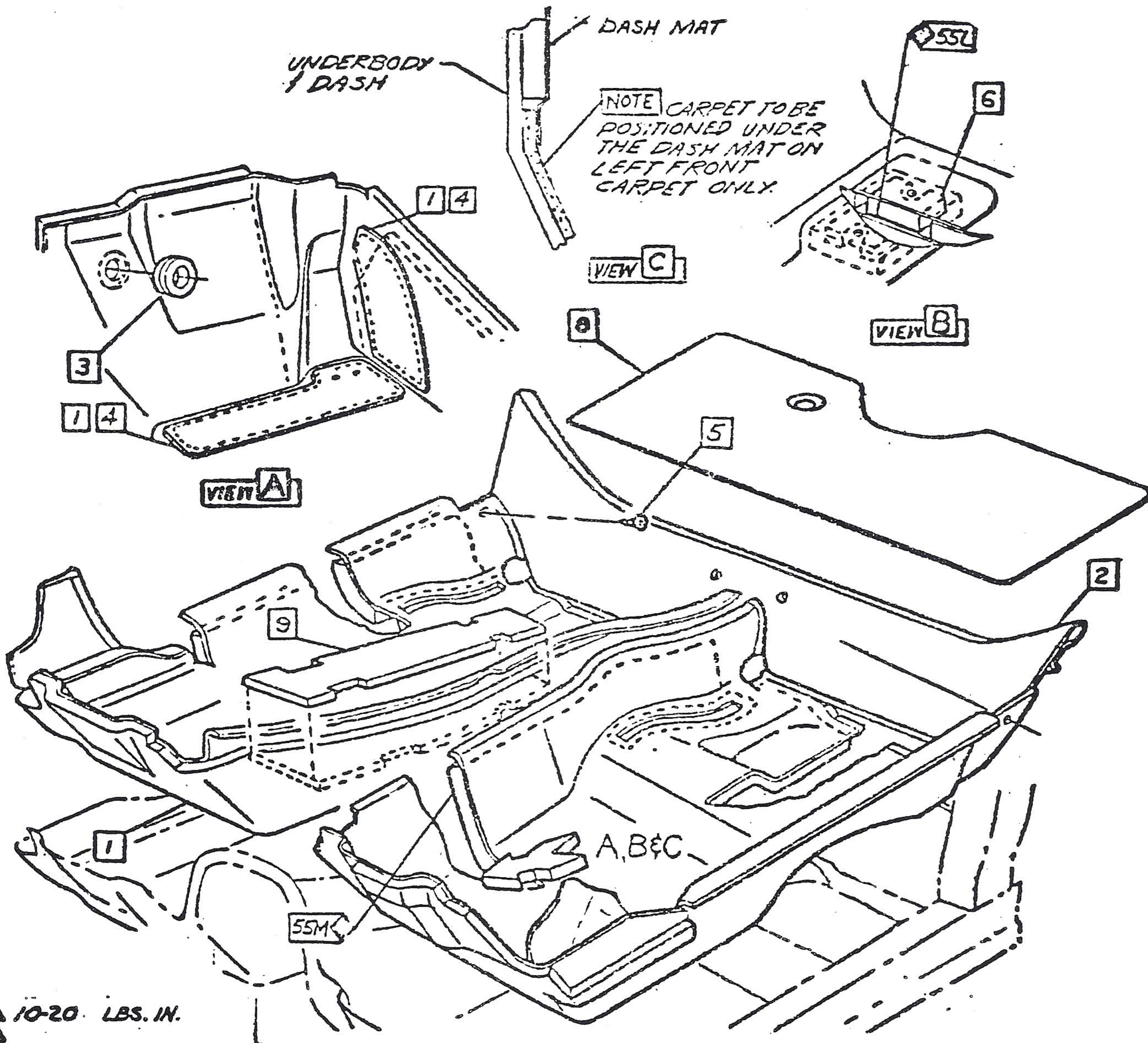


CHEVROLET

ASSEMBLY INSTRUCTIONS

3891772 CORVETTE 19000 SERIES

- | | | | | | |
|-----|---------|--------------------------|---|---------|---------------------|
| 1 | 3897409 | CARPET CHART L&RH | 7 | SSLC | ADHESIVE - .01 OZ. |
| 2 | 3897488 | CARPET CHART | | SSMC | 11. OZ. |
| 3 | 4591473 | GROMMET | 8 | 3863086 | COVER ASM. CHART |
| 4 | 3897410 | PAD CHART REF. PART OF 1 | 9 | 3850699 | INSULATION- CONSOLE |
| ▲ 5 | 4816192 | SCREW | | | |
| 6 | 3863736 | SPACER-CARPET HEEL PAD | | | |



▲ 10-20 LBS. IN.

CHEVROLET MOTOR DIVISION, GMC				UPC	DATE	SYA	REVISION RECORD	AUTH	DR	CR
CARPETS, INSULATION & COVERS FRONT				1						
19000				ASM						
DWG 5-16-66 RW REF: F11				F11						
DATE REL. 5-18 CI										
		L-	L-							
		L-	L-							