



**Wiring Connections
1960 Manual Trans
Manual Windows
Manual Top**

Dave Zuberer

Rev'd 11-7-2105

Disclaimer

- The harnesses and connectors shown here are from the Lectric Limited set for my 1960. I matched up the connectors with the wiring diagrams from LL and Doc Rebuild. The diagrams from DocRebuild are extremely helpful in ID'ing connectors, etc.

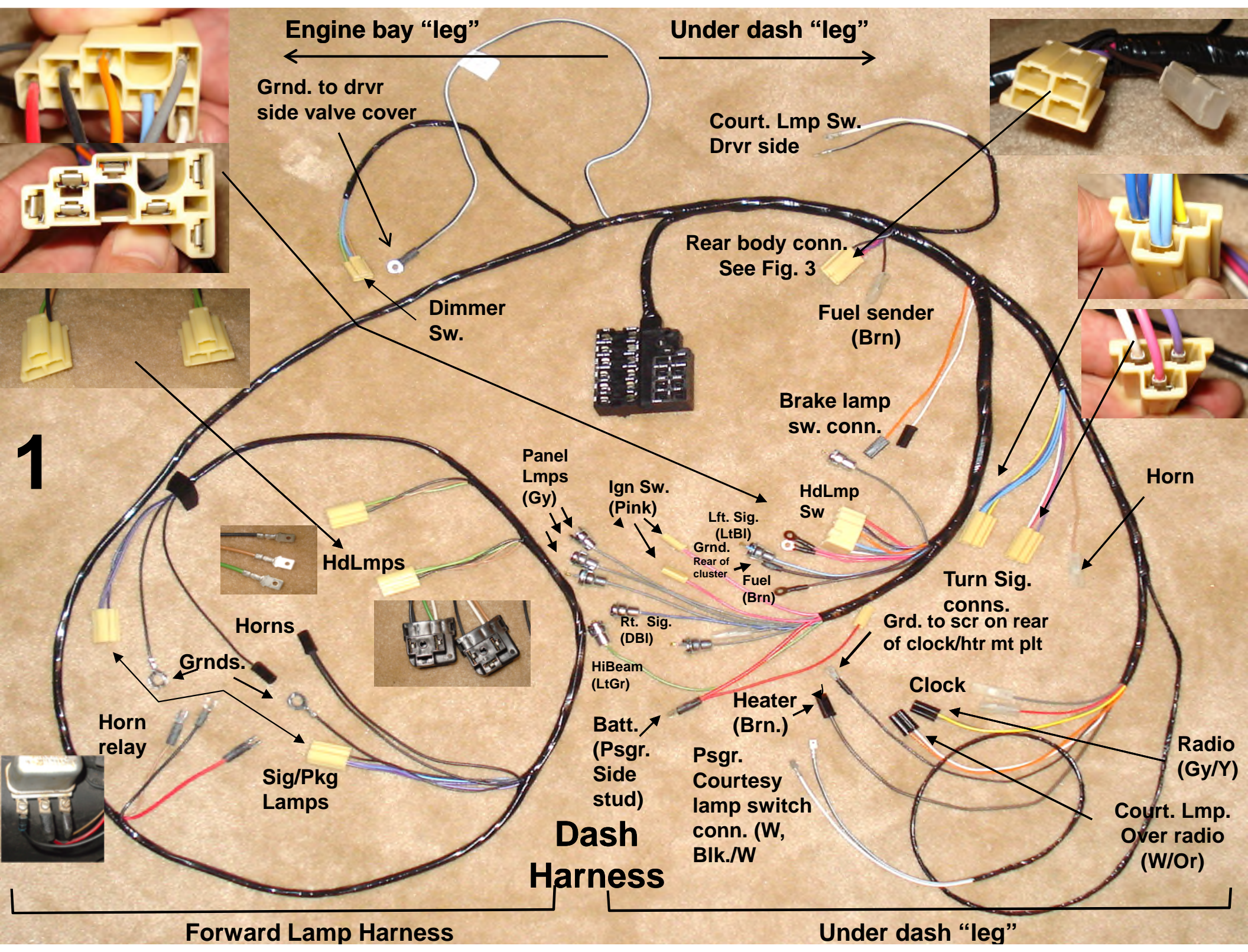
DocRebuild's[™]
it's oOSOEZ 😊

- The connectors for the battery gauge are labeled as they should be installed. From posts on the Corvette Forum and NCRS boards, I learned that the factory diagram has those labeled backwards. Thanks to JohnZ, Don Olson and others!
- If you are changing out your car's wiring I would strongly suggest that you label the connections on the old harness as you disconnect it from the car! **Take good close-ups of the backs of gauges, etc.**, if you can get access to them. It all helps upon reassembly; especially if it's been a good while since you took it apart!
- I will gladly make any corrections necessary in these pictures if you find errors. Just send an e-mail to d-zuberer@tamu.edu

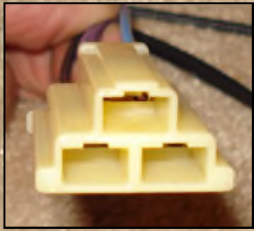
Happy wiring!

Dave Z

***Note: All harnesses were installed without incident.
All the smoke stayed in the wires. 😊 DZ**



Left PKG and
Signal lamps



Right PKG and
Signal lamps

Horn grd.

Horn grd.

Left horn
conn.

Right horn
conn.

Right head
lamp conn.

Right head
lamp conn.

2
**Forward Lamp
Harness – part of
dash harness to
engine bay**



Dash Harness

**Drvr. Courtesy
Lamp Sw. Conn.
W and Blk/W)**

**From rear
harness**

**Brk Lmp Sw.
(w and Or)**

**Rear Body Conn.
Behind drvr side kick panel**

**Fuel Sender (Brn)
See Fig.13 rear harness**



3

Dash Harness



**Clock
Harness**

4

**Clock Harn.
Conn.**

Radio

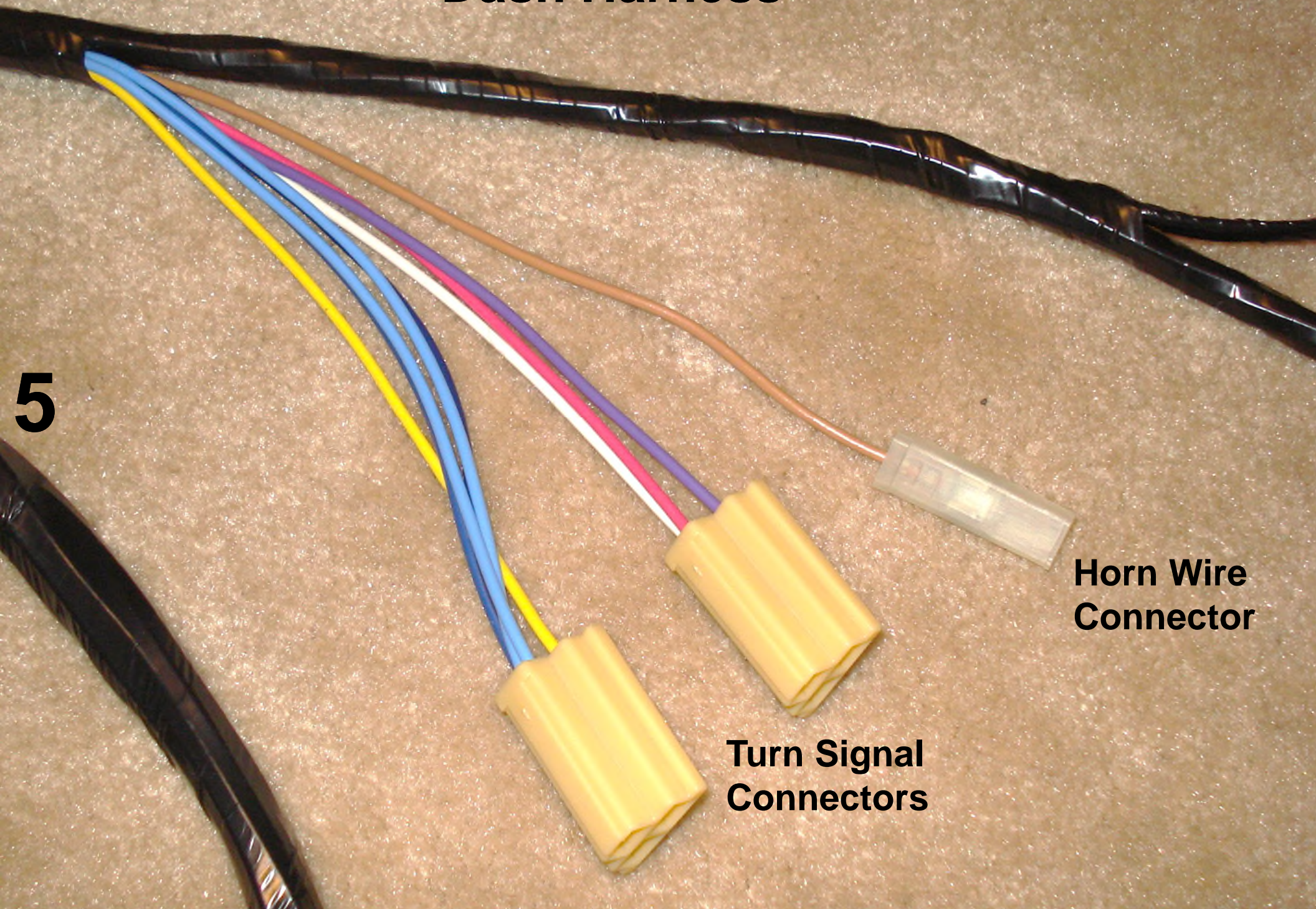
**Court. Light
over radio**

Ground

**Heater
(Brn)**

**Psgr. Courtesy
Lmp Sw. Conn.
W and Blk/W**

Dash Harness



5

Horn Wire Connector

Turn Signal Connectors

**Conn. To Cig.
Lghtr.**

Battery (Pmgr side (Rt) stud)

Hi Beam Indicator (LGr)

Rt. Turn indic. (DBI)

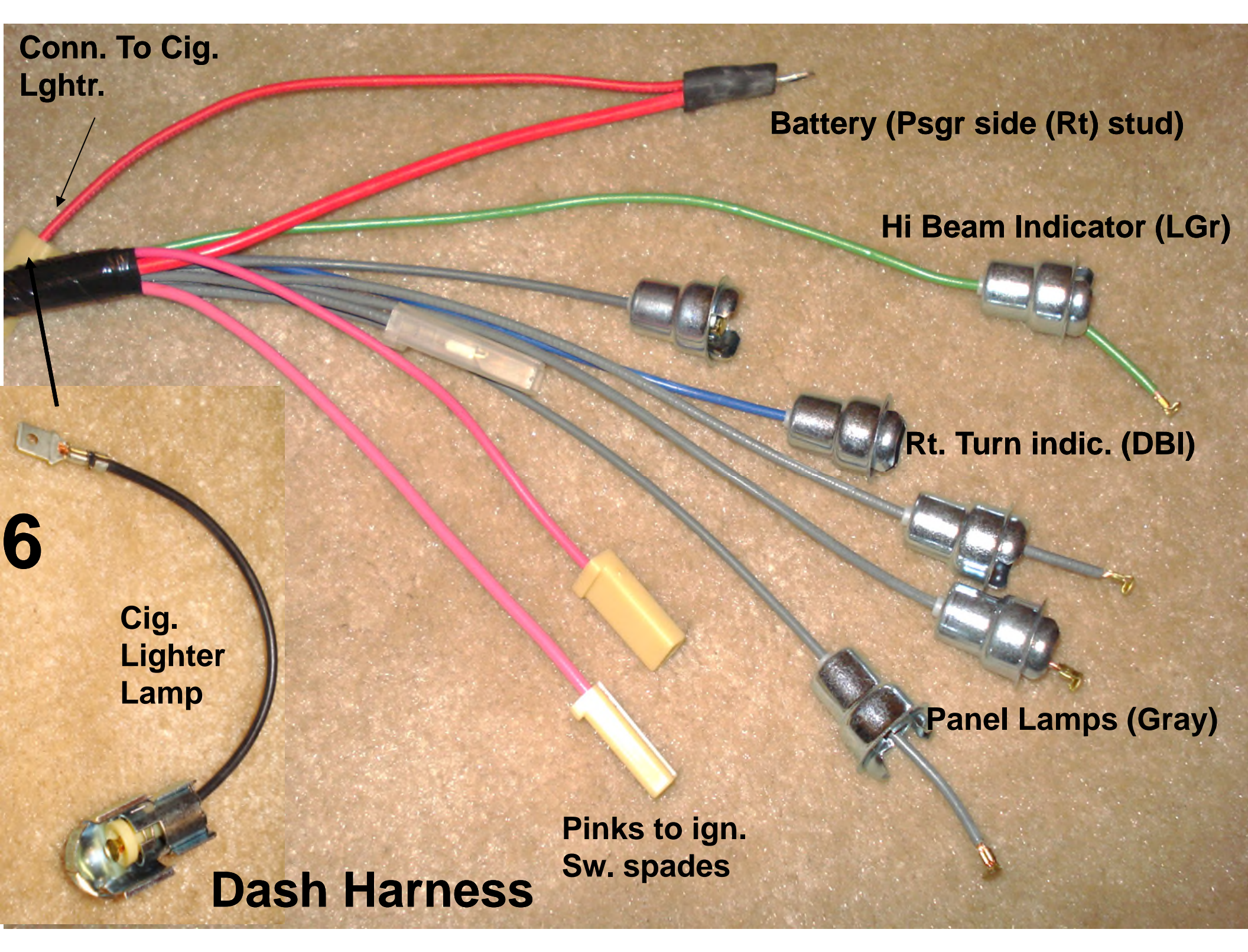
Panel Lamps (Gray)

**Pinks to ign.
Sw. spades**

6

**Cig.
Lighter
Lamp**

Dash Harness



Dash Harness

Cig. Lghtr. Conn.

Fuel Gauge
Psg. Stud (Brn)

HdLmp Sw.

Fuel Gauge
Drvr Stud

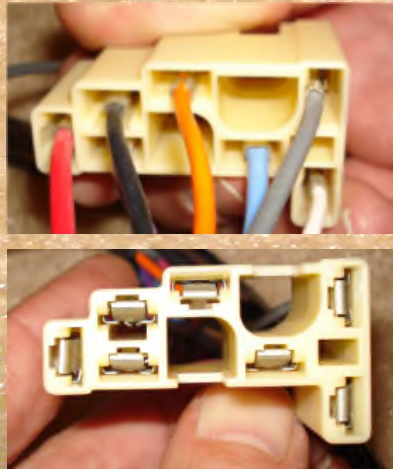
Grd.

Temp Gauge
Drvr Stud

Drvr Turn Sig.
(LBI)

Panel Lamp

7



Regulator to Generator Harness

8

Regulator "A"
Armature term.
(Brn)

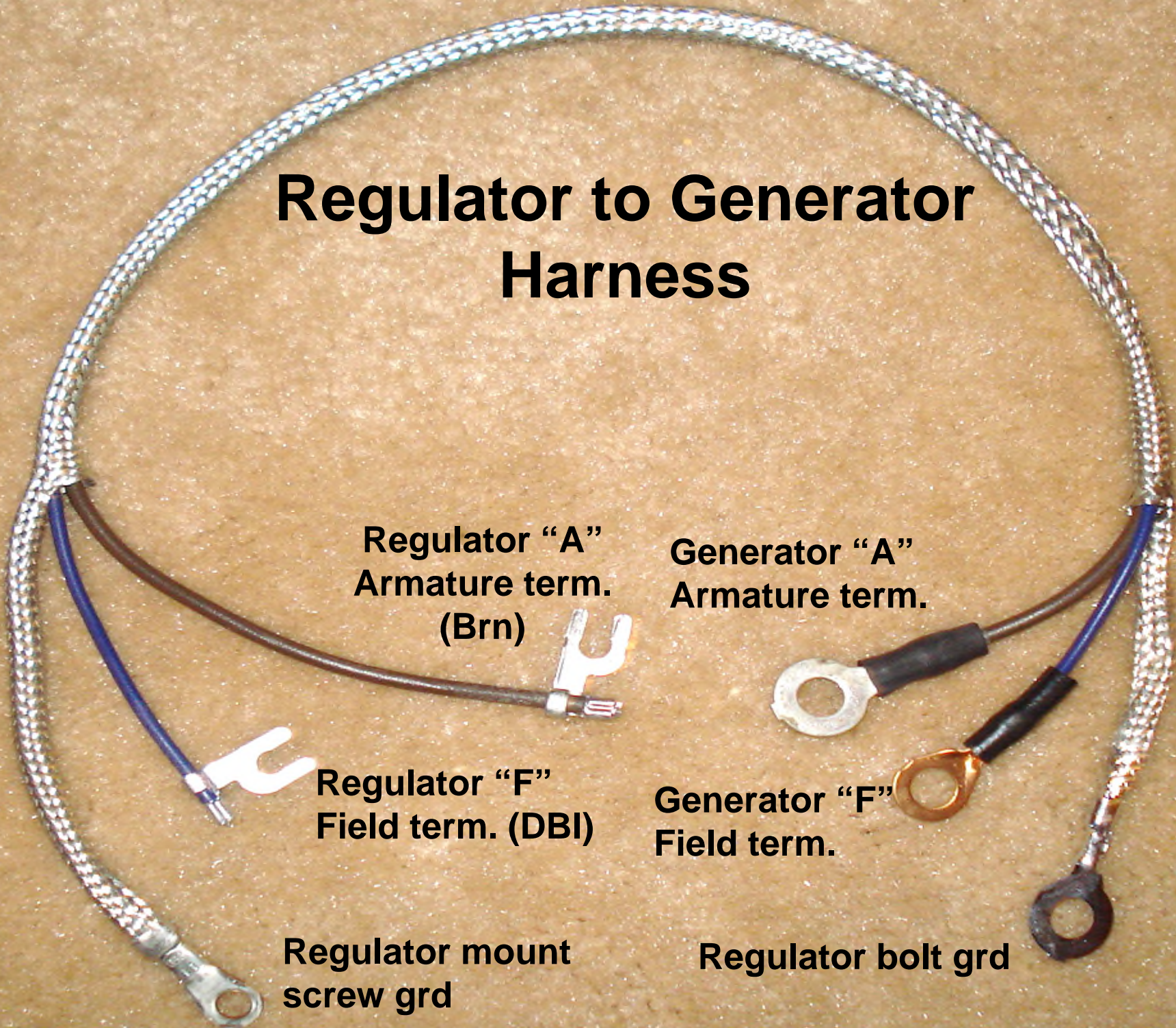
Generator "A"
Armature term.

Regulator "F"
Field term. (DBI)

Generator "F"
Field term.

Regulator mount
screw grd

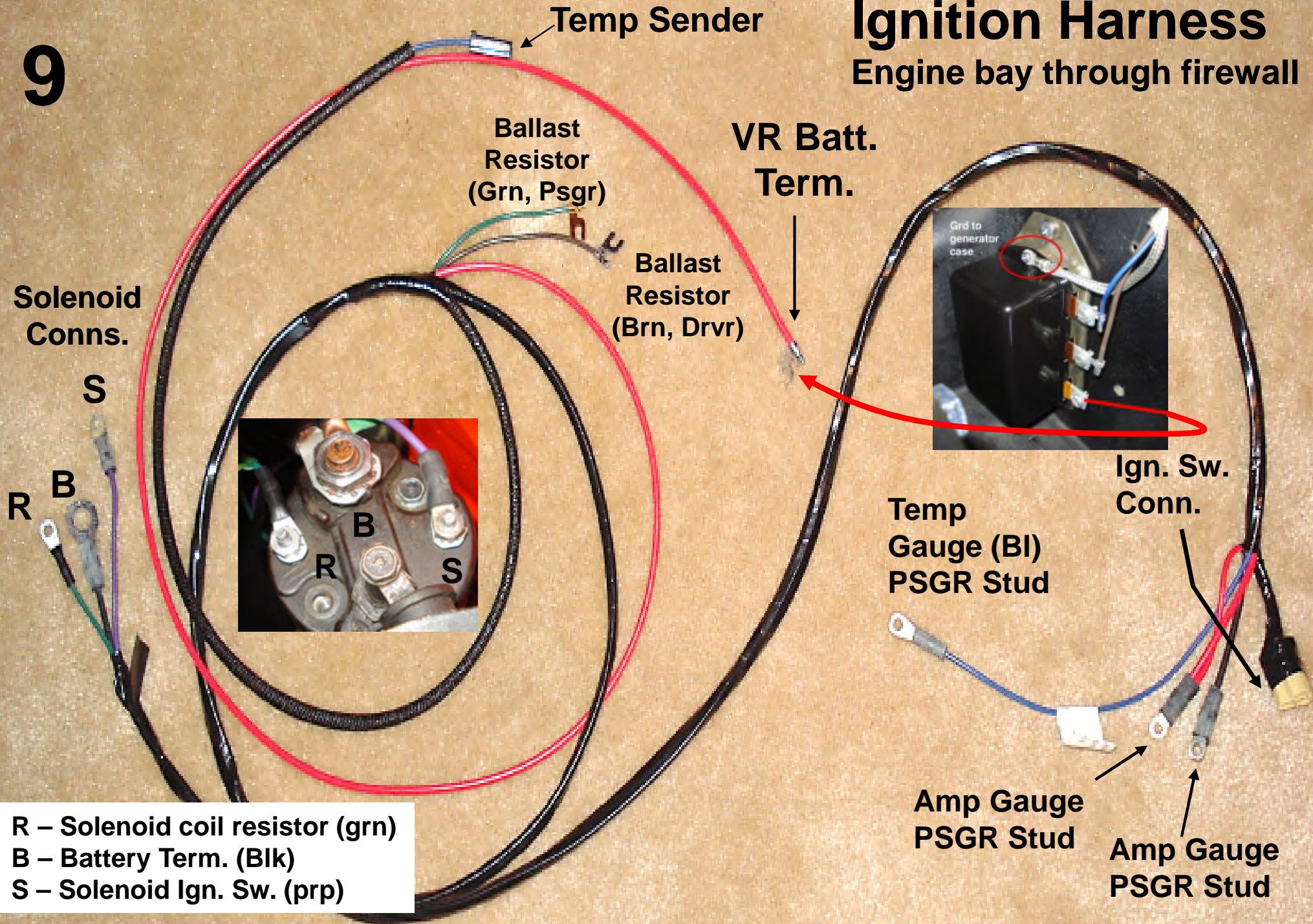
Regulator bolt grd



9

Ignition Harness

Engine bay through firewall



R – Solenoid coil resistor (grn)
 B – Battery Term. (Blk)
 S – Solenoid Ign. Sw. (prp)

Solenoid Connections

S

B

R

10

Temp Sender Conn.

Voltage Reg. Connection

**Batt.
Terminal
on VR**

**Temp Gg.
Psgr Stud**

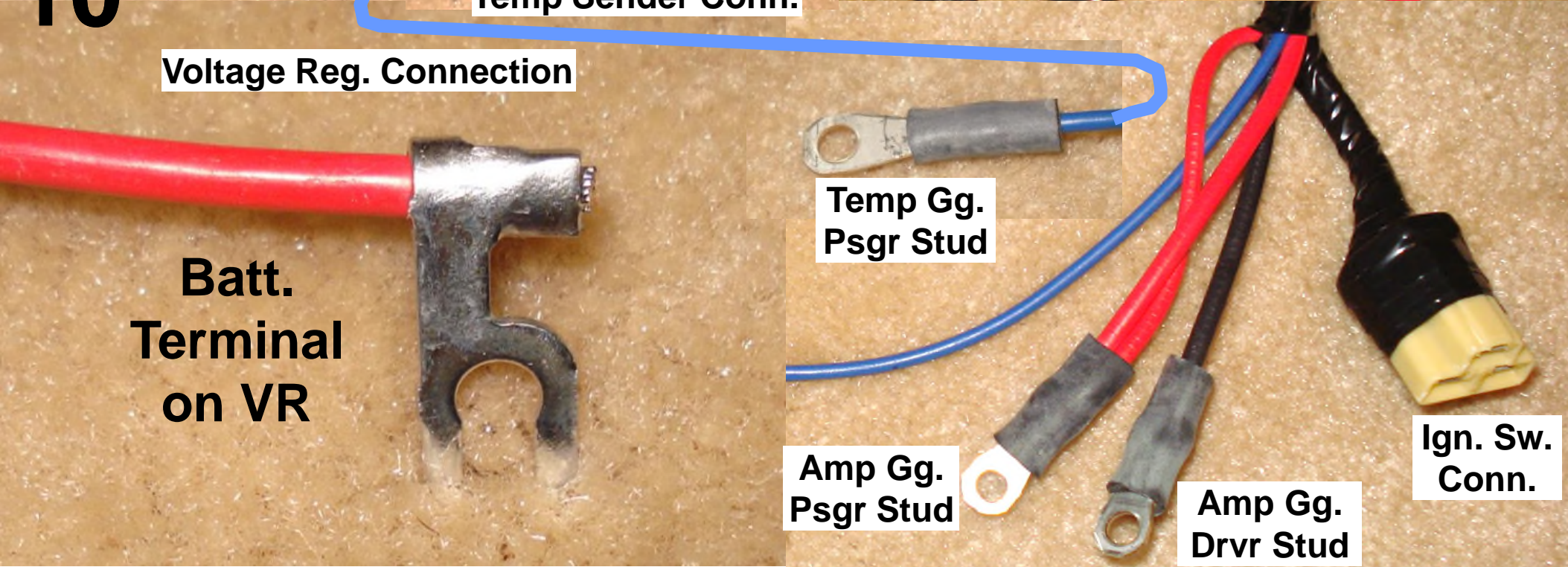
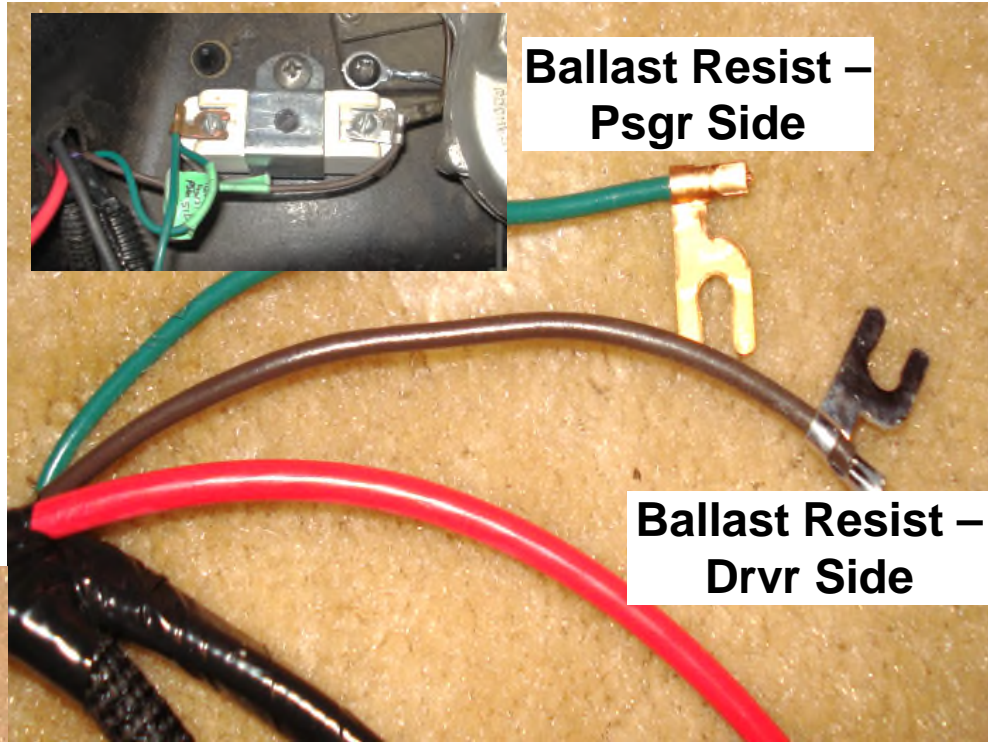
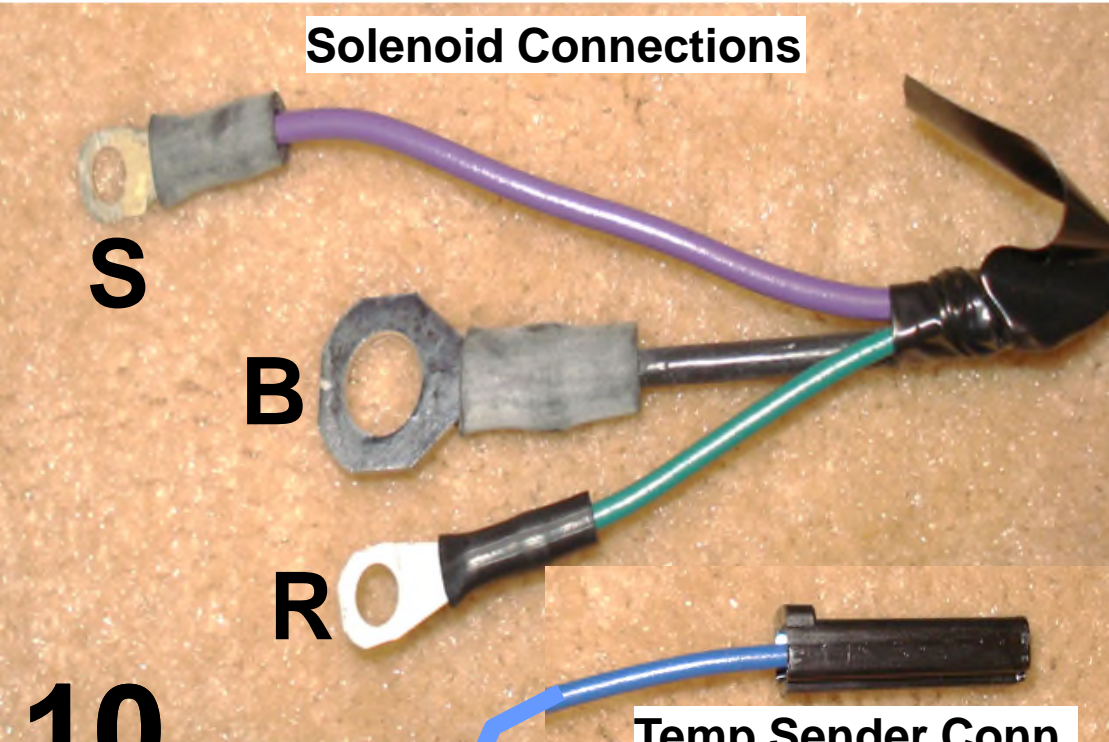
**Amp Gg.
Psgr Stud**

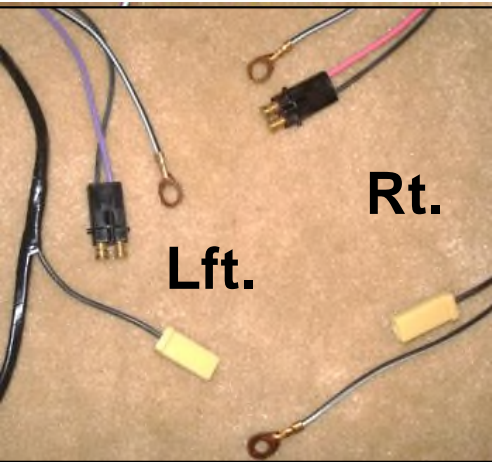
**Amp Gg.
Drvr Stud**

**Ign. Sw.
Conn.**

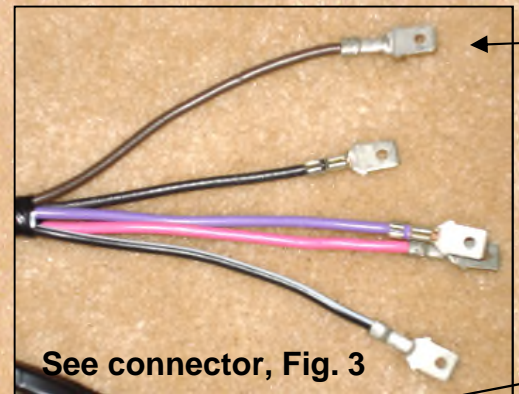
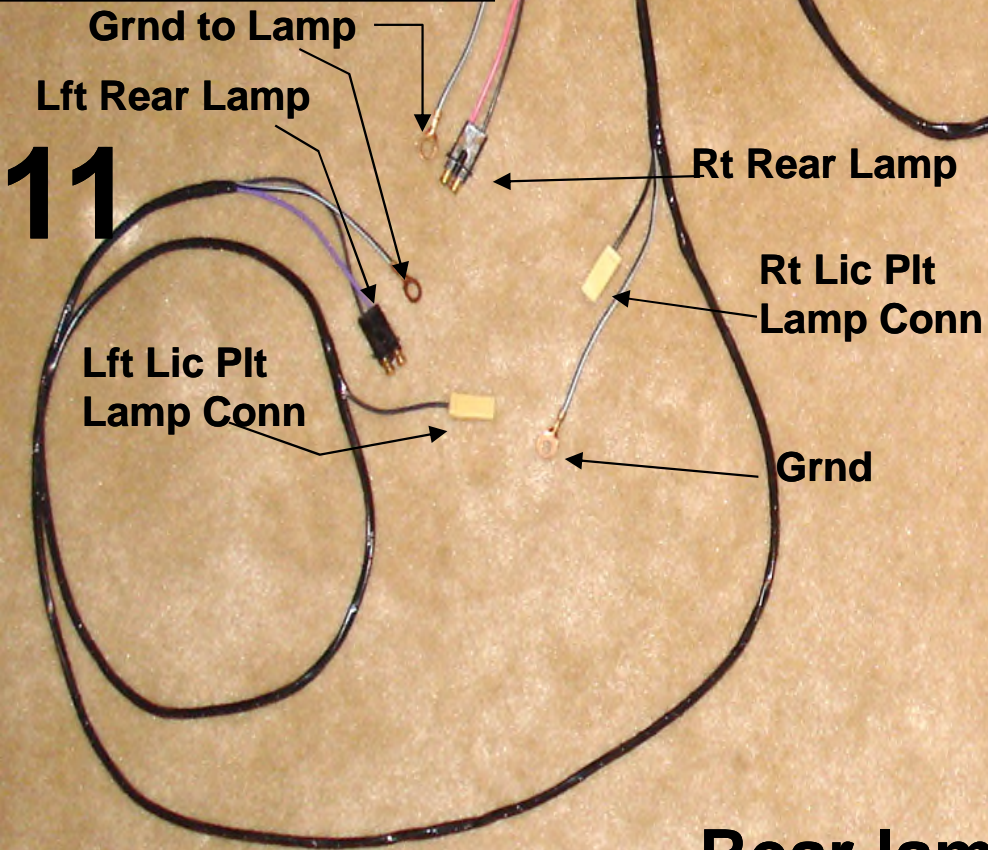
**Ballast Resist –
Psgr Side**

**Ballast Resist –
Drvr Side**





Fuel Sender Conn. @ tank
Brn (Gauge) & Blk/W (grnd.)



To rear Body Conn.

(Brn to Fuel Gauge Conn
on Dash Harness see
Fig.3)

Rear lamp harness