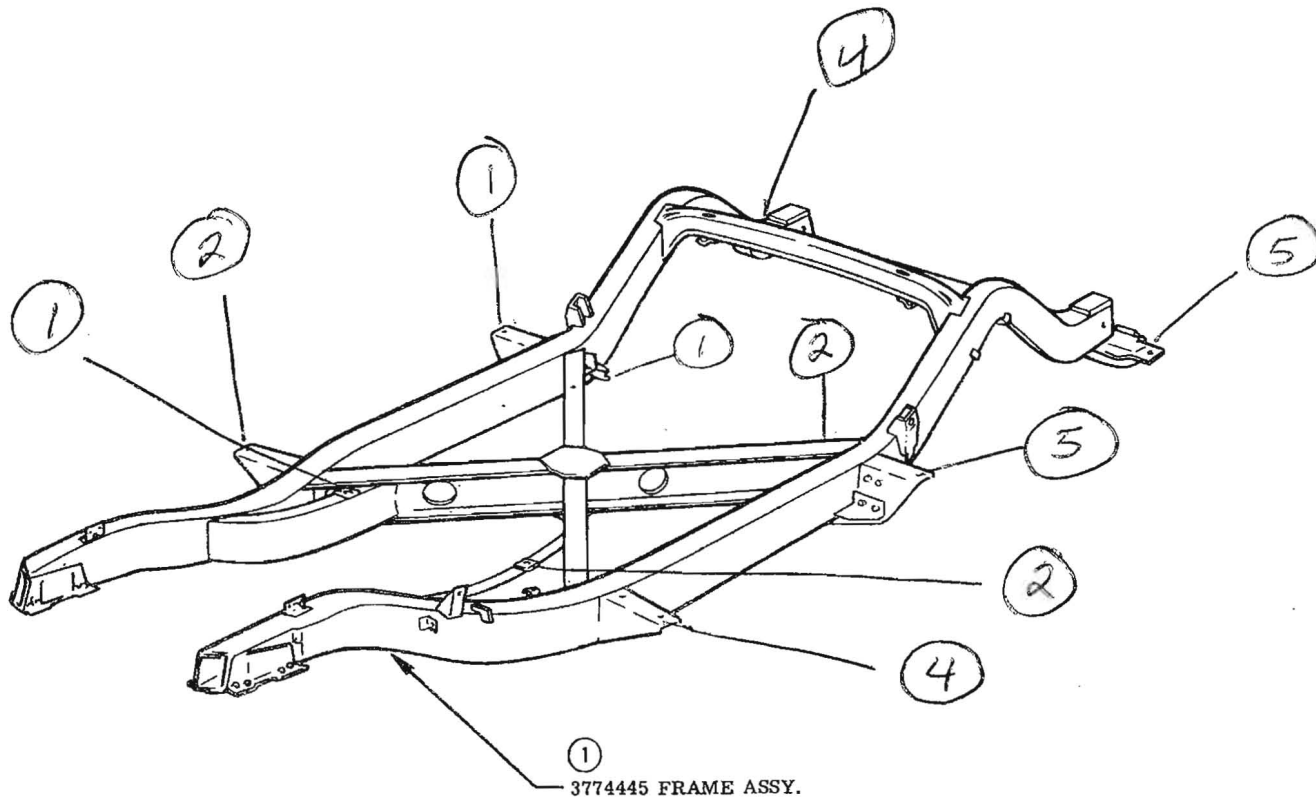




SHIP COUNT



FRAME ASSEMBLY

				NAME					CORVETTE INSTRUCTION MANUAL	
7-28-59	1	WAS 3760515	19889	WS	F	REF. 19977	DRAWN SHAFER	CHECKED BUCK	SECT. 2	SHEET 1.00
DATE	SYM.	REVISION RECORD	AUTH.	DR.	CK.	DATE 5-25-59	PART No. 3774300			
RELEASED										