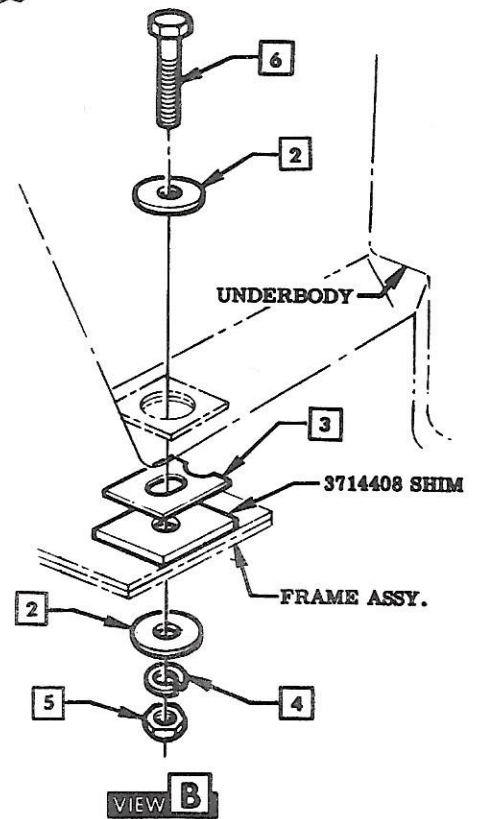


VIEW A  
TYPICAL 8 PLACES



VIEW B  
TYPICAL 2 PLACES

**BODY MOUNTING**

					NAME CORVETTE INSTRUCTION MANUAL				
					REF. 19977	DRAWN SAUNDERS	CHECKED BUCK	SECT. 1	SHEET 1.00
RELEASED					DATE 5-25-59	PART No. 3774300			
DATE	SYM.	REVISION RECORD	AUTH.	DR.	CK.				