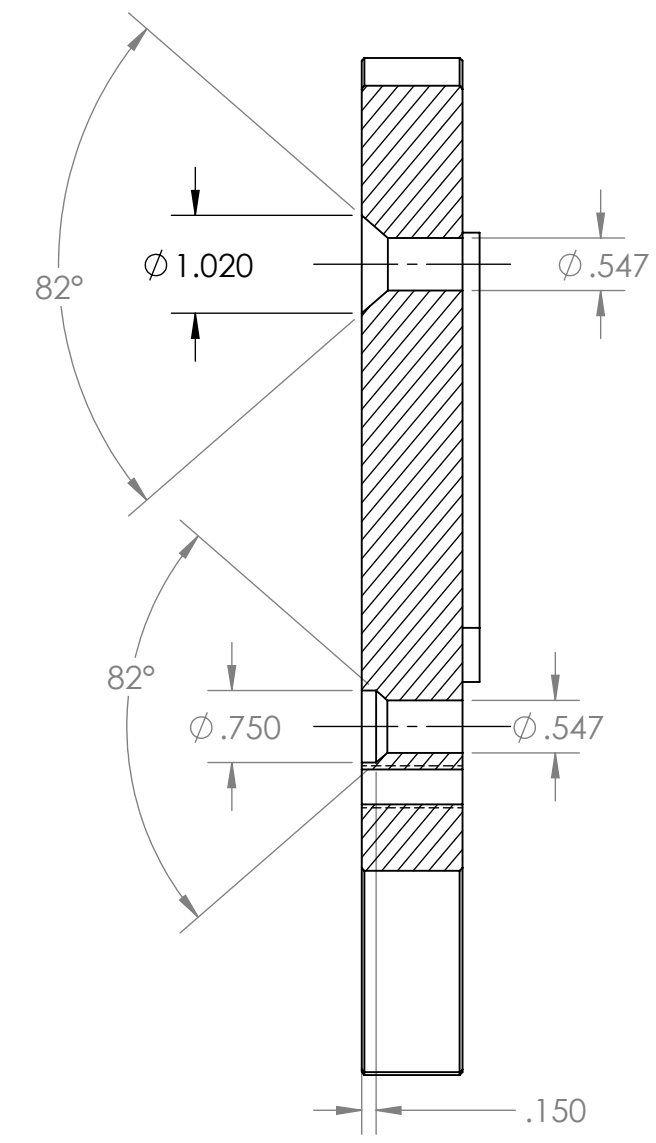
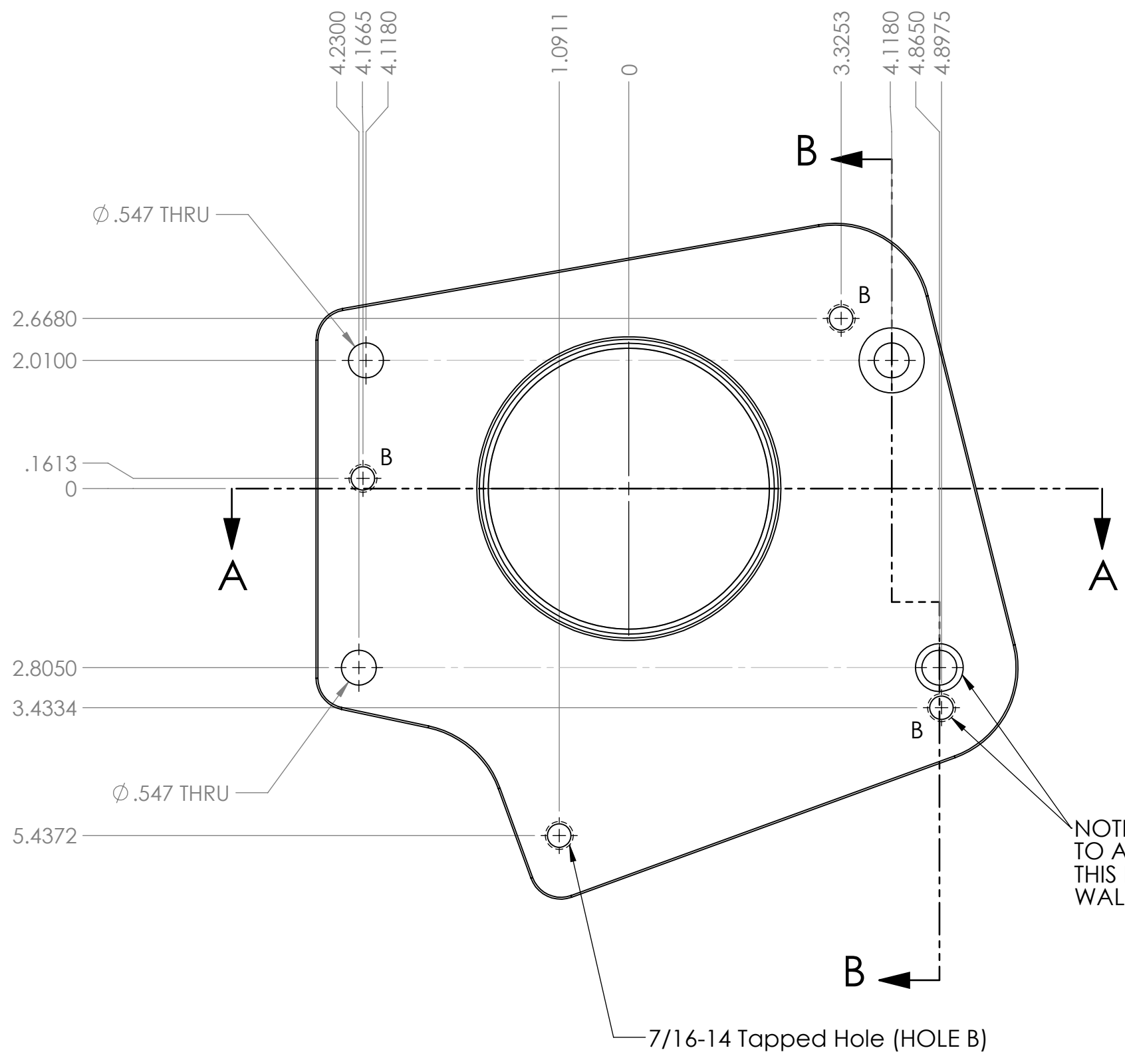
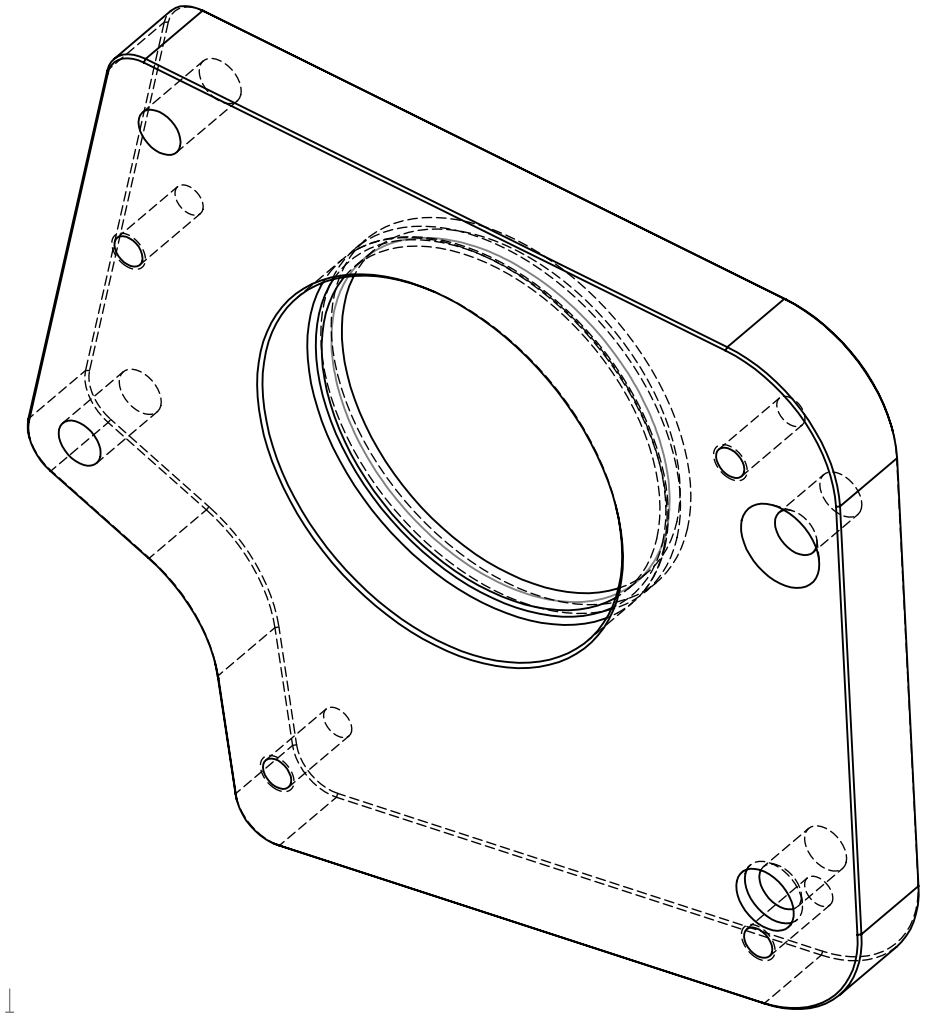
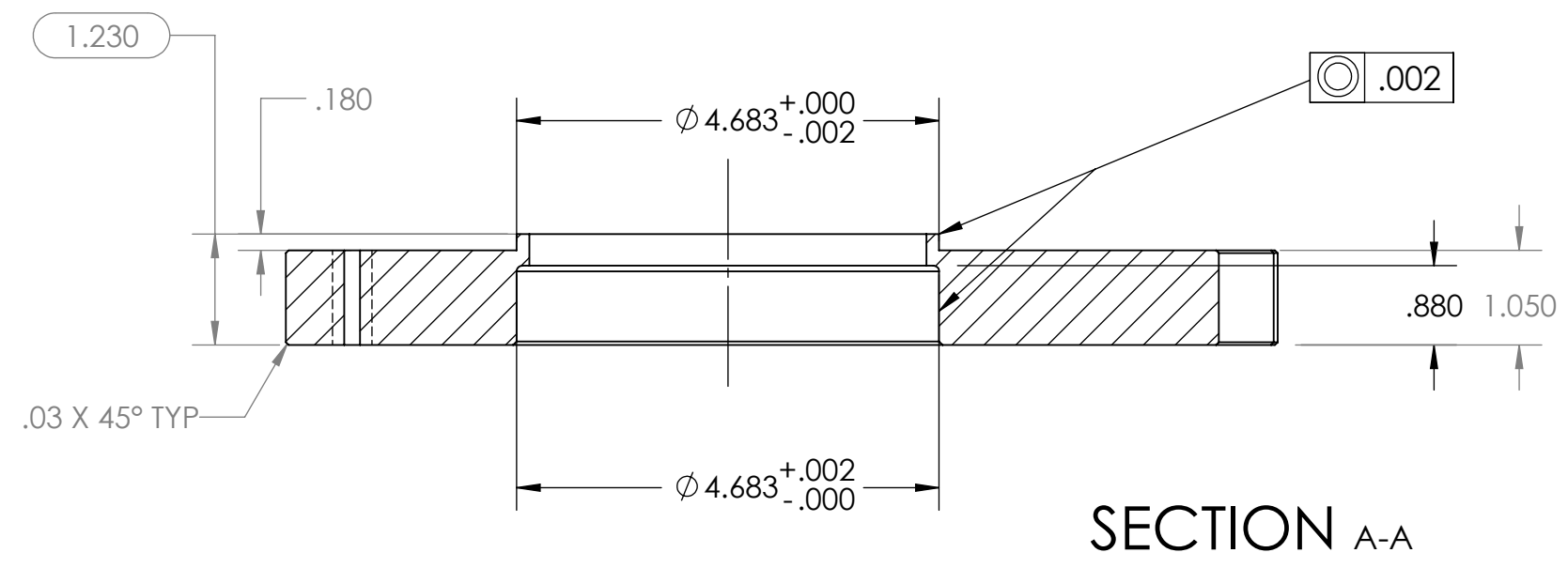


ZONE	REV.	DESCRIPTION	DRAWN BY	DATE
-	1	REVISED AND REDRAWN	DdW	NOV 3, 2021



UNLESS OTHERWISE SPECIFIED		TOLERANCES		DRAWN DAVID	MATERIAL ALUM 6061-T6	TITLE: ADAPTER PLATE	
DEBUR AND BREAK SHARP EDGES	DO NOT OBTAIN DIMENSIONS BY SCALING	ANGULAR	± 0° 30'			DATE	11/17/2021
ALL DIMENSIONS ARE POST FINISH	ALL DIMENSIONS ARE IN INCHES	TWO PLACE DECIMAL	± .01	COLOR	NATURAL	SIZE	DWG. NO.
PROPRIETARY AND CONFIDENTIAL CONTROLLED DOCUMENT SUPPLIED FOR A SINGLE USE. CONFIRM CURRENT REVISION OF THIS DRAWING PRIOR TO USE. ALL TECHNICAL INFORMATION, EQUIPMENT DESIGN, AND APPLICATION DATA CONTAINED IN THIS DOCUMENT ARE THE CONFIDENTIAL PROPERTY OF DESIGN AT WORK, LLC. NO USE OR DISCLOSURE THEREOF MAY BE MADE WITHOUT WRITTEN PERMISSION.				FINISH	CLEAR ANODIZE	SCALE: 1:2	SHEET 2 OF 2
				DESIGN AT WORK, LLC	361 Parkside Avenue Brooklyn, NY 11226	REV	1