

## **63-67 Corvette Parts**

**Phone 1-800-466-6367 or 631-225-3000**

**Fax 631-225-5030 Email [mail@licorvette.com](mailto:mail@licorvette.com)**

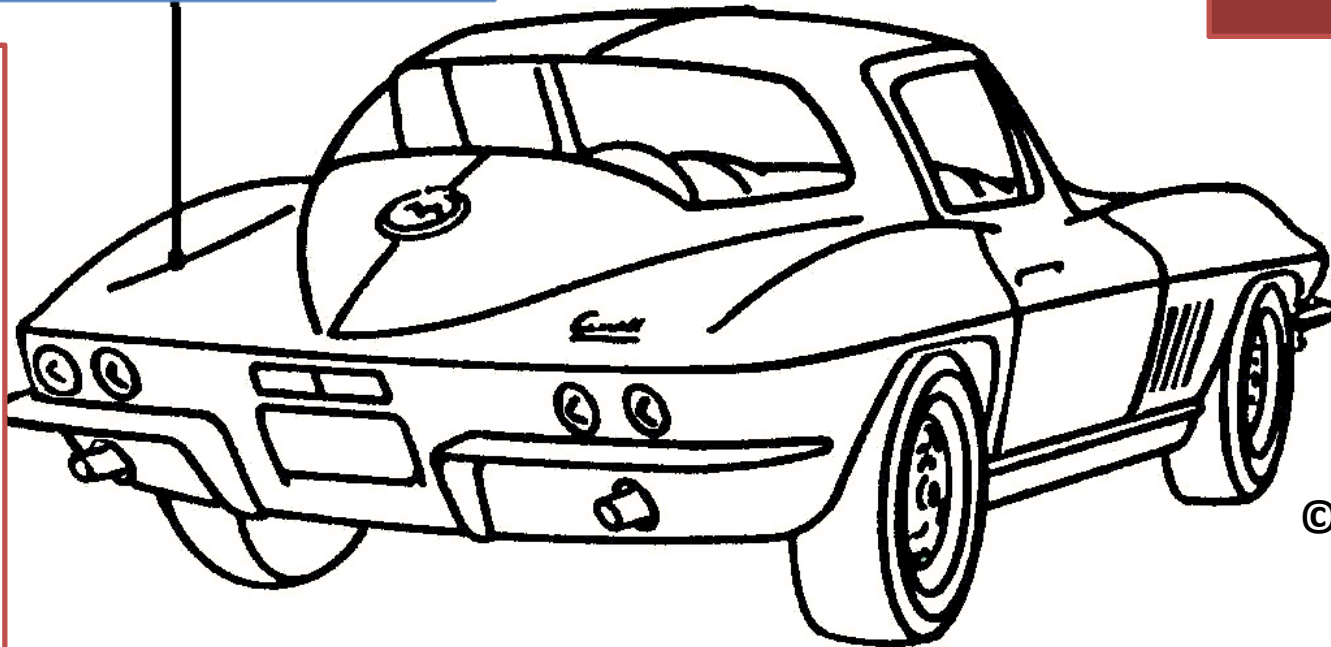
# **LONG ISLAND CORVETTE SUPPLY INC**

**2021: we are open and shipping orders  
(Pickups by appt only >call 1<sup>st</sup> w list Mon – Thurs)**

**10% NOW @ \$500**

*see details inside*

Up to date  
Pricing  
thru  
“Online  
shopping”  
With  
PHOTOS



**1445 Strong Ave South, Copiague NY 11726 1-800-466-6367**

**[www.licorvette.com](http://www.licorvette.com)**

**2021 this is updated from 'last printed book #36'  
pdf /online only : we don't print a catalog anymore.**

Use the Website for Current Pricing, PHOTOS  
& Online Ordering [www.licorvette.com](http://www.licorvette.com)

**CAT 36 IS THE 'LATEST PRINT' BOOK- 2020 DOWNLOAD ONLY**

[www.licorvette.com](http://www.licorvette.com) email = [mail@licorvette.com](mailto:mail@licorvette.com)

Look up section #, part # make sure to give Quantities  
(include suffixes on the part # - ie> 15-09B B Bravo ...

**A few tips on How The Book is Written:**

Section #01 Emblems and Hood Grills

Sec-part#	Name	Year	#need/car	Price
01-01A	front emblem	63	1	\$ x.xx each
01-01C	side emblem	63	2	\$ x.xx each

# need /car column shows how many per car  
not how many in a package

>Make sure you order you order 2 if you want 2

**Minimum order is \$20 before shipping**

Inspect your order when received.

Save your invoice (not web order confirmation)

We put the invoice in the box with your parts.

Returns: - you do not need to call. –simply return with invoice:

up to 30 day with invoice = no restock fee

30-60 days with invoice = 15% restock fee

Over 60 days or no invoice = no returns.

**No returns** on Tools, Decals, Bulbs, Electrical, books,NOS

Supply your email for package notifications when order is shipped.

We ship all packages via UPS

UPS delivers ground packages – Monday through Friday

(2017 ? UPS is testing Saturday deliv in some areas)

UPS AIR is available at Additional Charge

All shipping rates are based on Size of box and weight

-email or call for estimate -

(if you want air on an online/web order

– put a note in the note field (On the checkout screen )

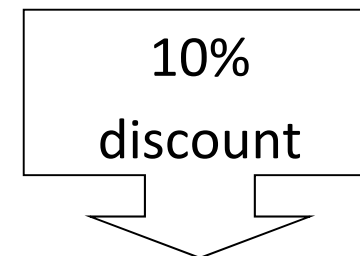
All International shipments including Canada are sent UPS only

(no postal service.)

You will pay all duty, tax, brokerage –we have no way to estimate charges

contact UPS for any fee questions.

UPS Ships Ground to Alaska and Hawaii, and PR – we will ship Ground unless you specify otherwise – put note on checkout screen.



**Applies to each order over \$500**

Applies to each order over \$ 500 (as of 4-3-2019)

(per order, no accumulations, this is not an “ongoing” discount)

**\*Does Not Include (exceptions)**

N.O.S. Parts, Rebuilt Parts, Used Parts, Aluminum Wheels, Side Pipe covers and sets, Carburetors, Radiators, and Dated Convertible Tops, Door Panels, Dash pads, Carpet sets, Distributor Tags, Rad Supports(already discounted) and items that are \$500+ list price. 327 Ign shields SETS(30-33,30-34)no 10% (Set pricing and some Interior parts are already discounted)

- Certain items may be added if they become short in supply.

The above “exceptions” do not receive the discount, but DO count towards the \$ 500 subtotal.

10% orders should be made online or email or fax list (fax 631-225-5030)

If emailed (or your own list with Qty, Section-Part# email.

(no docs or excel pdf only please or paste list into email)

**or order online** >this is the best way – you will see current pricing and the discount will show in the cart once order reaches \$ 500

Regarding RETURNS on \$ 500/10% orders:

If you return parts that cause the subtotal of the original invoice to fall below \$ 475 the 10% discount will be taken back for the entire order.

(We are allowing a \$ 25 leeway for returns without penalty)

Normal return policies apply to 10% orders.

Over 30days 15% restock, No returns after 60 days, no returns without invoice.

(no returns on Electrical, switches, wiring etc, nor decals/ tools.)

(currently available = if online ordering area shows price it should be available and in stock with the exception of fiberglass and special order items.

**10% Discount will show in online cart – (once you reach \$500 subtotal)**

Ordering – order Online [www.licorvette.com](http://www.licorvette.com) / fax 1-631-225-5030

Phone# 631-225-3000 or 1-800-466-6367

\* Prices are subject to change without notice – we keep website updated

Check online for most current information.

- We have almost every item in this catalog in stock, but as we do not manufacture all items, we can not control being out of some items at times. **Items with a price online are in stock.**

**We ship UPS TO USA only (PR YES, no more to Canada 7/2020 (new paperwork to much))**

**SALES TAX.**

> We collect tax in NY,NJ, IL, MI, VA, PA as required by nexus rules. 2020

Unless otherwise noted, items sold are subject to sales tax in select states in accordance with the applicable laws of that state.

We do not collect sales or use taxes in all states. For states imposing sales or use taxes, your purchase is subject to use tax unless it is specifically exempt from taxation. Your purchase is not exempt merely because it is made over the Internet or by other remote means.

-Many states require purchasers to file a sales/use tax return at the end of the year reporting all of the taxable purchases that were not taxed and to pay tax on those purchases. Details of how to file these returns may be found at the websites of your respective taxing authorities.

**To order give – your name, address, daytime telephone # - email –**

**Quantity, catalog section-part# - - please look up #'s in catalog before calling.**

Have catalog or online site handy and if you are asking question

so we can point you to the part or photo - shop online has photos of most parts-

**SHIPPING AND PAYMENT: > Minimum Order subtotal \$20 (before shipping)**

-All Orders are shipped via UPS Ground

- ADD A minimum of \$18 shipping per prepaid order. If shipping exceeds that we will contact you will addition amount due (Shipping Charge includes UPS + Insurance + Box and Packaging.)

ALL CARRIERS Base shipping on Dimensional Weight – LxWxH/139 – this means a 5lb item that is large tunnel insulation (bills @ 33lbs), gets billed by size. There are many factors that make up shipping cost/ size, distance, Residential, Commercial, remote location etc, It is difficult to quote shipping without seeing the list. We do our best to keep the box size small and keep the fees down.

If you need a quote of shipping 1<sup>st</sup> – enter order and put a note in the note field and we will email you an estimate. Even a small 1lb box can cost upwards of \$17 depending on location, remote Residential etc. Air shipments UPS Next Day, 2<sup>nd</sup> Day, 3day are available at extra charge – call/email for quote.

Keep in mind UPS will not guarantee Air Refunds if cause of delay is weather related, nor during peak/heavy traffic times ie December Holiday Season.

-Alaska and Hawaii, Puerto Rico will also ship UPS Ground. (submit in writing/ online, email or fax)

**x! We do not ship to any International Destinations** – If you want to make arrangements for a freight forwarder- do so and fill out cc auth form (on website) you still may be subject to use tax in the state you deliver to. **X Canada Shipments Xx 7-2020 no more shipments to Canada-** sorry, new USMCA paperwork filings to much. (if you want to use a freight fwd service, fill out a drop ship form, in back of book or online)

- Returned Checks are subject to all Bank Service Fees, Collection fees (\$30 minimum fee)

**We Accept the Following Credit Cards : Visa, Mastercard, Discover (no AMEX)**

**-All orders paid by charge card must be in your name and ship to your address**

**-or- fill out the card authorization /alternate address form on website /or in Catalog.**

We retain the right to refuse shipping to alternate address other than registered card billing address.

**EMAIL:** We respect your privacy: all emails are used for communication from us and the carrier UPS (for tracking notifications), We send out sale fliers or new parts notices via mailchimp.(if you do not wish to received, unsubscribe or let us know and we remove you ☺. We DO NOT share/sell mailing lists or any of your information. All credit card information is encrypted.

**Dealer Pricing:** To become a dealer account. You must submit a copy of your business license, Tax#, and a copy of an advertisement or listing in a telephone book, magazine etc showing you are a Corvette Parts Dealer or Corvette repair shop >>>Send a copy of a utility bill, showing the name of business and address if you don't have an advert. Facebook listing alone is not enough. No Discounts out of country. You may apply by email or fax, there is an opening order requirement – Allow 1 week for review of information. – if you don't qualify see 10% offer>

**Large Order Discount –10% off: order over \$750 in one order and get 10%**

Certain items are excluded – see page near section 31 for full details – (you will see discount in online cart, Once your order reached \$750 subtotal) (This is not a continuing discount/ it is per order of \$750) Our email is [mail@licorvette.com](mailto:mail@licorvette.com)

**Prices subject to change without notice**

Phone hours are – 8:30 to 2:30 Monday – Thurs; CLOSED Fridays 6-2020

>>> COUNTER PICKUP by appt – must call and arrange 7-2020

### Simple Returns and Exchanges

**Open and Inspect you order when it arrives.**

Please call or write or email if you have any problems with an order or part you have received. Email is [mail@licorvette.com](mailto:mail@licorvette.com) - When emailing include your full name and invoice #/or order date. We will straighten it out immediately. Please have the invoice # out for reference.

#### Returns

**– no need to call us first – put it in a box with packing and return with invoice & note**

No returns without invoice – or after 60 days – (We do not pay for return shipping)

Simply tell us what is wrong or if you want exchange or credit, send with note & invoice copy or # A 15% restock fee will be charge on all items returned after 30 days.

Returns send without invoice or over 60 days will be return at your expense.

**No returns on :** special date coded items, or special order colors

- No returns on electrical items, switches, harnesses, bulbs, relays ...

- No returns on books, decals, labels (all sect2), tools section 55,

- No returns on rebuilt kits ie Fuel pump, Carb, Steering Cplr kit,

- NO return on Rebuilt parts – rebuilt parts are guaranteed for 30 days from invoice date.

-If Item was **Drop Shipped** from manuf/ IE carpets, interior items, rocker panels ...

–CALL US FIRST – Do not return to our address.

No returns on parts that have been altered in any way (including paint)

**Missing Parts – call us within 10 days if you are missing any parts.**

Replacements will be send by ground, we will not pay for air shipping on missing/ or incorrectly shipped items or damaged items.

**Damages - IF YOUR ORDER IS DAMAGED – save box and all packing – and call us immediately(within 10 days) – we need to file a claim with UPS – no box = no claim/replacement.**

**We are not liable for any loss above the cost of the part that we sold to you, and we are not responsible for any damage done to you or your car as a result of this part or it's installation. We are not responsible for shipping costs, installation costs or delays. (this means replacements/corrections will be sent by ground service, we will not pay for Air service for replacement, damage or missing items. (Regardless of how the original order was shipped)**

All statements and recommendations contained in this catalog or on the site or given by a representative are based on information we believe to be reliable, but the accuracy or completeness is not guaranteed. We have done extensive research through blueprints and examination of original cars and parts and can not change parts each time Judging Standards/manuals/opinions change.- please review the photos and descriptions on website, catalog, photos online to further your research to determine if the parts listed will meet your needs.

**We do not Guarantee** that any part will Pass any particular club or shows judging standards. It is your responsibility when you receive your order to review and inspect and decide if you wish to keep to return items. You have 30 days to return new parts, in new condition (uninstalled on car).

**Not Available** – N/A = discontinued – no source available – we can not supply this item

**Out of Stock /** Item is out of stock, manuf. can not supply – may come back soon

**Back Order /** We expect this item in shortly usually 1-4 weeks – We will contact you when in via email You can then tell us know if you still need and reorder item.

**Drop Ship** – This will ship directly from manufacturer. Allow extra time. Some are immediate ship, some have lead time (noted in catalog description). Do not return these to us directly.

We participate in the GM Restoration Parts Program and are Licensed on Certain Parts Others are licensed by other manufacturing vendors.

Corvette, Chevrolet, Bowtie, Stingray Are Trademarks Of General Motors Inc. The Drawings Here Are For Clarification And Identification And Do Not Imply That They Are The Product Of General Motors Corp. While We Are Not Always The Direct Licensee, Certain Items Have Been Reproduced Under License From General Motors Corp.



27-22802-53921 THE GM RESTORATION PARTS

**Open and Check your order when it arrives – no returns after 60 days.**

(we do our best to keep the online catalog up to date with all pricing info)

Catalog Volume 36 ©2018, Long Island Corvette Supply, Inc. updated 2020



# Long Island Corvette Supply Inc.

1445 Strong Ave S, Copiague NY 11726

THE 63-67 Corvette Parts Source -Parts In Stock

Phone 1-800-466-6367, OR 631-225-3000

Fax 1-631-225-5030 shop online: [www.licorvette.com](http://www.licorvette.com)

Have questions?> email us - [mail@licorvette.com](mailto:mail@licorvette.com)

You can enlarge this catalog - use the online PDF on computer or tablet and zoom it bigger



[www.licorvette.com](http://www.licorvette.com)>easy online ordering

"Shop Online" link will show up to date Pricing/info

### Sections:

1. Emblems, Hood Grills, Emblem Nuts
2. Decals, Labels, Books, Frame Stencils , Stamps
3. Grill And Parking Lights, Nose Rods
4. Headlights
5. Rear Body: Rear Lights, Lic Light And Fuel Tank Area & Long Fuel Lines & clips sets
6. Bumpers, Brackets And Hardware ,License Hardware
7. Rear Lower Panel, Rear License , Exhaust Tips,Bezels
8. Windshield Washers And Wipers
9. Door Hardware –door panels, handles,cranks,latches,regulators,vent window
10. Mirrors, Visors, Dome Ligh
11. Tire Carrier
12. Dash&Radio,Clock,FreshAirVents,KickPanel ,Cables
13. Glove Compartment, grab insert
14. DoorSills-RockerPanels
15. Console ,Carpets, Shift boots, PW, 67 Brake Console
16. Seat Hardware, Headrest, Seat Belts
17. JackCompartment: Jacks,FloorPlugs
18. Steering Column, Directional, Horn
19. Convertible Latches & Rear Deck Lid Area, Headliner &Coupe Headliner,rear vent area, Pinchwelt,Panels
20. Under Hood Latches, Catches, Hood Release

21. Engine: Rad Hoses,ThermHousing,Water Pump Kits  
Fittings: intake,wp,vacuum, Intake mtg, starter mtg,
22. Engine: Air Cleaner, VC , Fuel Pump, Carb, Choke  
PCV, Exhaust Bolts,Fuel Lines, accel linkage
23. Alternator&PowerSteering,Pump&Mounting
24. Heater Hoses, Expansion Tank & Pulleys, Clamps
25. Radiators, Shrouds, Supports, Brackets,Hose Clamps
26. Fender Skirt Seals, Splash Shields,Voltage Regulators  
- Perpetual Calendar Of 63-67 Dates
27. Battery Trays And Hardware ,396-AC Battery panel
28. Clutch, Accelerator & Brake –flywheel,housings  
z-bar,pedals,levers,housing ...
29. Antenna
30. 327 Ignition Shielding –  
**10% Discount Offer**
31. Big Block IgnitionShielding
32. Shifters And Transmission, gears
33. Side Pipes & Exhaust :manifolds, pipes, hardware
34. Air Cond Brackets 327 & 427
35. Air Cond Fittings, Condensers, Evap, hoses
36. Air Cond Box, Ducts
37. Heater: Cowl, Box, Core, Speedo Tach Cables &  
Grommets,RRBlower, Ballast Resistor, wire clip sets
38. Engine Mounting & Oil: Pans, Filter, Can, lines &fittings,  
Dipsticks, Timing Chain Covers, Engine Mounts
39. Dash Cluster: Gauges-Lenses-Switches, Odometer,

- Fuse Block and Mounting,Dimmer Sw., bulbs,
40. 427 Rear Stabilizer Bar and Hardware
41. Power Steering Hoses and Kits
42. Weatherstrips-WindowChannels&MoldingClips
43. Wiring Harnesses, diagrams, Batt Cables, fuses, bulbs
44. Interior Screw Sets
45. Paint , Dye & Polish
46. Hubcaps, Trim Rings, Wheels, Aluminum Wheels
47. Parking Brake
48. Distributor, Vac Adv, Ign Coils, T1 Parts
49. Front Suspension :a-arm,shocks,stab bar,coil springs
50. Steering Linkage –Idle Arm,Tie Rods...
51. Rear Suspension : diff carr, trail arm,shocks,spindle
52. Brakes & Lines , clips, Power Brake, Master Cylinders
53. Body Mount Kits,Ground straps,Capacitors,  
Frame Sections & Brackets
54. Fiberglass ;Body Panels, bond strips & Rivets
55. Tools And Accessories, Car Covers
56. Fuel Injection
57. Window S.S. Moldings And Clip sets
58. Auto Trans Cooler And Linkage
59. Belts

**See Index @ Back Of Book**  
**Map – Date Code Chart**

## Yearly Catalog #36 Printed May 2018

**Returns – you do not need to call**  
**No authorization is required**  
**Send parts with invoice and note**  
Up to 30 days = no restock  
30-60 days = 15% restock  
**No returns over 60 days or without invoice.**  
**no returns on nos/used/electrical/decals/tools.**

easy online ordering [www.licorvette.com](http://www.licorvette.com)

How to read the catalog—and online catalog> [Print Catalog](#)

PART#	NAME	YEAR	#NEED/CAR	PRICE INC
03-04	GRILL MOLDING CLIP	63-4	5	4.00 EACH
03-05	SCREWS (FOR CLIP #4)(10 PC)	63-4	1 SET	3.50 SET

Part # corresponds to drawings  
go to online catalog for PHOTOGRAPHS ... same layout ...  
#03-05 states (10pc) in name ... And 1 in # / car—this item includes 10 ; # 03-04 need 5 per car — order 5 if you want 5  
> see online version below—includes photo—and View Details—gives more info—or more photos. - [put qty in box , click add](#)

Part #	Name	year	how many per car	price	more info	quantity
03-04	GRILL MOLDING CLIP	63-4	5	EACH Price		<input type="text" value="5"/> Add Detail

Click on photo for larger, & view details for more info or more photos

"Shop Online" link will give most current pricing. Photos online for most items



# Section # 01 Emblems ● Hood Grills and Rainshields ● Emblem Nuts

Emblems do not come with nuts – see nut sets in listing.

Sect-Part#	Name	Year	#Need/Car	Price Inc	
<b>1963 Emblems and Hood Plates</b>					
01-01A	Front Nose Emblem 63	63	1	\$ 50.00	Each
01-01B	Side Flag (thin)(sept 62 Only) (1)	63E	2	34.00	Each
01-01C	Side Flag (63 thick)(63=red/orange) (Oct 62>)(1)	63L	2	47.00	Each
01-01E	Fuel Injection Emblem (1)	63	2	40.00	Each
01-01G	Hood Plates 63 (pr)	63	1 PR	\$ 495.00	Pair
01-01M	X F.I. Plenum Cover Flag	63	1		N/A
01-01N	Rear Deck Emblem 'Corvette'	63	1	46.00	
01-01Q	Emblem & Hood plate NUT Set	63	1 SET	8.25	Set

<b>1964 Emblems</b>		<b># need/car</b>		
01-02A	Front Nose Emblem 64	64	1	\$ 50.00
01-02C	Side Flag (64/327) (64=red/orange) (1)	64	2	47.00
01-02E	Fuel Injection Emblem (1)	64	2	40.00
01-02J	X F.I. Plenum Cover Flag	64	1	N/A
01-02K	Rear Deck Emblem "Corvette"	64	1	45.00
01-02M	Emblem Nut Set	64	1 SET	4.50

<b>1965 Emblems</b>		<b># need/car</b>		
01-03A	Front Nose Emblem 65 (red/orange)	65	1	\$ 66.00
01-03C	Side Flag (65/327) (65= red/orange) (1)	65	2	47.00
01-03E	Fuel Injection Emblem (1 PR) see -01-03EN	65	1 PR	N/A
01-03EN	Fuel Injection Emblem (1 PR) GM ORIG /NOS IN BOX	65	1 PR	99.00
01-03G	Side Flag (396 Turbo-Jet) (Dark Red)	65	2	47.00
01-03J	xBig Block Hood Grill (LH) 65 396	65	1	n/a
01-03K	xBig Block Hood Grill (RH) 65 396	65	1	n/a
01-03L	Hood Grill Rain Shields (1 Pr) 65 396	65	1 PR	22.00
01-03N	Hood Grill Retainers (6 Pc) 65 396	65	1 SET	15.00
01-03O	Bolts (ELH) For Hood Grill Retainer (set Of 6)	65	1 SET	4.50
01-03R	X F.I. Plenum Cover Flag	65	1	N/A
01-03S	Rear Deck Emblem "Corvette"	65	1	45.00
01-03W	Emblem Nut Set	65	1 SET	4.75

<b>1966 Emblems</b>		<b># need/car</b>		
01-04B	Front Emblem 66 (Dark Red)	66	1	\$ 66.00
01-04C	Side Flag (327)(Dark Red) (1)	66	2	35.00
01-04E	Side Flag (427 Turbo-Jet)(Dark Red) (1)	66	2	37.50
01-04G	Hood Emblem Corvette STING RAY	66	1	130.00
01-04J	xBig Block Hood Grill (LH) 66 427	66	1	n/a
01-04K	xBig Block Hood Grill (RH) 66 427	66	1	n/a
01-04L	Hood Grill Rain Shields (1 Pr) 66 427	66	1 PR	22.00
01-04N	Hood Grill Retainers (6 Pc)	66	1 SET	15.00
01-04O	Bolts (ELH For Hood Grill Retainers (set Of 6)	66	1 SET	4.50
01-04P	Rear Deck Emblem "Corvette STING RAY"	66	1	130.00
01-04T	Emblem Nut Set	66	1 SET	5.00

<b>1967 Emblems</b>		<b># need/car</b>		
01-05A	Front Nose Emblem 67	67	1	\$ 54.00
01-05E	427 Hood Grill- OEM	67	1	90.00
01-05J	427 Numeral Set (2 Ea: 4-2-7)/Car set	67	1 SET	29.00
01-05L	Rear Deck Emblem "Corvette"	67	1	130.00
01-05N	x 427 Hood Grill Fiberglass Reinforcement	67	1	n/a
01-05P	Emblem Nut Set (327)	67	1 SET	1.75
01-05Q	Nut And Screw Set (427 Emblems And Hood Grill)	67	1 SET	6.50

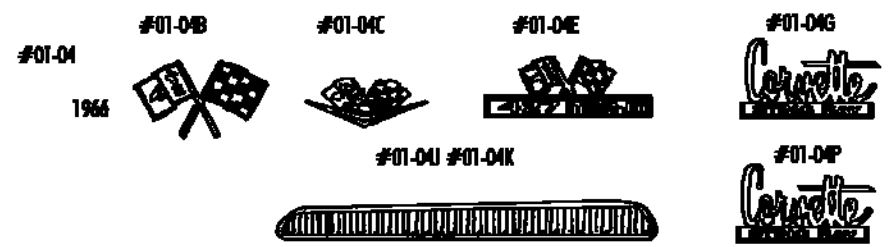
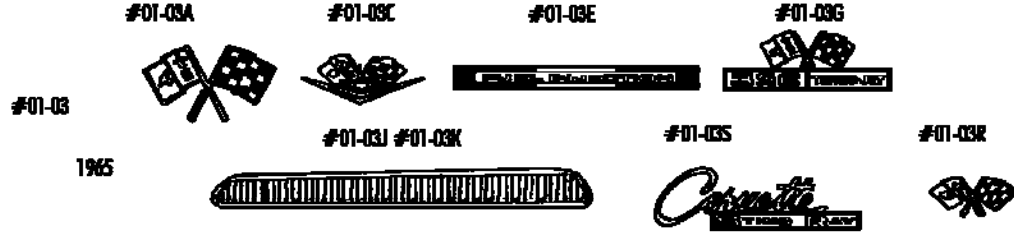
Emblems with red paint/ie nose and side:  
 Red 63-65 = Red/Orange Red 66-67 = Dark Red  
 All Emblems are "Show Quality"



All emblems are reproductions.

2018 Catalog #36 2021.

The Drawings Here Are For Clarification And Identification And Do Not Imply That They Are The Product Of General Motors Corp. Certain Emblems And Decals Are Reproduced Under License From General Motors Corp



Emblems above are all purchased from an official GM Licensee.

Section #02 Decals – Labels – Stamp Kits – Chassis Stencils – Books – Manuals (no return Sect2)

Sec-Part#	Name	Year	#need/yr	price
<b>Air Cleaner Labels</b> (63-66 327 DID NOT have labels on top of Air Cleaner)				
02-01A	A/CL Instructions (FI) 63-65E <vin9000)	63-5E	1	\$ 4.00
02-01B	A/CL Instructions (FI) (65 late > vin 9000)	65L	1	4.00
02-01C	A/CL Decal 67 300 Hp	67	1	4.00
02-01D	A/CL Decal 67 350 Hp	67	1	4.00
02-01E	A/CL Turbojet 425 Hp & 396 Flags	65	1 PR	9.00 Pair
02-01F	A/CL Turbojet 425 Hp & 427 Flags	66	1 PR	9.00 Pair
02-01G	A/CL Turbojet 450 Hp & 427 Flags	66	1 PR	9.00 Pair
02-01H	A/CL Turbojet 390 Hp & 427 Flags	66-7	1 PR	9.00 Pair
02-01I	A/CL Turbojet 400hp + 427 Flags	66	1 PR	9.00 Pair
02-01J	A/CL Turbojet 400 Hp (3x2)	67	1	5.00
02-01K	A/CL Turbojet 435 Hp (3x2)	67	1	5.00
<b>Air Conditioning Decals</b>				
02-02A	RH Window Decal Air Conditioning	63-5	1	\$ 4.00
02-02B	RH Window Decal Air Conditioning	66	1	4.00
02-02C	Metal Plate For Evaporator Box x	63-4	1	N/A
02-02D	Foil Plate For Evaporator Box	65	1	7.00
02-02E	Foil Plate For Evaporator Box	66	1	6.50
02-02F	Foil Plate For Evaporator Box	67	1	7.00
02-02G	Air Conditioning Compressor Warning	63-5	1	4.00
02-02H	Compressor Foil Plate (250-350hp) (black/silver)	63-5	1	6.25
02-02J	Compressor Foil Plate (black/green #6550113)	66	1	6.50
02-02K	Compressor Foil Plate (black/green #5910645)	67	1	6.50
02-02L	Compressor Foil Plate 64-5/365hp	64-5	1	8.00
02-03A	<b>GM mark Of Excellence (metal) (2)(on 67Door)</b>	67	1 PR	10.00 Pair
<b>Glove Box Labels and Inserts – Owners Manuals, Warranty Books ...</b>				
02-04A	63 Glove box Instructions- Air Conditioning	63	1	5.00
02-04B	Tire Air Pressure Label (on GB Door)	66	1	3.50
02-04C	Tire Air Pressure Label (on GB Door)	67	1	3.50
02-04D	Knock Off Wheel Instruction Card	64-6	1	2.50
02-04E	396 Engine Insert For Owners Manual	65	1	4.00
02-04F	Wheel Trim Ring Card	67	1	3.00
02-04G	Owners Manual Envelope (63 Early)(bef Jan63)x	63E	1	N/A
02-04H	Plastic Owners Manual Bag (after 1/4/63)	63-6E	1	\$ 5.00
02-04J	Plastic Owners Manual Bag (after 3/16/66)	66L-7	1	6.00
02-04K	Owners Manual 63	63	1	15.00
02-04L	Owners Manual 64	64	1	15.00
02-04M	x Owners Manual 65	65	1	n/a
02-04N	Owners Manual 66	66	1	15.00
02-04P	Owners Manual 67	67	1	15.00
02-04PX	OLDER REPRO, 67 Owners Manual,w Orange card,2ND Edition,does not say 'reprinted by permission..'	67	1	30.00
02-04Q	Z06 Brake Instruction Sheet For Glove Box	63	1	3.00
02-04R	Warranty Book 1963 x	63	1	N/A
02-04S	Warranty Book 1964 x	64	1	N/A
02-04T	Warranty Book 1965	65	1	35.00
02-04U	Warranty Book 1966	66	1	35.00
02-04V	Warranty Book 1967	67	1	N/A
02-04W	Warranty Book Envelope	63-4	1	5.00
02-04X	J65 Instruction Sheet For Glove Box	63-4	1	2.50
02-04Y	1967 Key Envelope GM Licensed Repro	67	1	5.00
02-04Z	Glove Box Parts Cloth Bag(for License Hardware, Z06 Bolts(Wrench & Rubber Washers With Hard Top)	63-7	1-2	4.75 Each
<b>Jacking Instructions - GM Licensed Repro – Jack Board Labels / Carpet tags/ posi &amp; rear axle tags</b>				
02-05A	Jacking Instructions (on Jack Board)(steel wheel	63-66	1	3.00 Each
02-05B	Jacking Instructions (63-66 Knock Off Wheels)	63-6	1	3.00
02-05C	Jacking Instructions (67 All)	67	1	3.50
02-05D	Jacking Instructions (36 Gal Fuel Tank)	63-6	1	10.00
02-05E	Jacking Instructions (36 Gal + KO Whls)	63-6	1	10.00
02-05F	<b>JP Stevens Jack Board Carpet Label *</b>	65-7	1	15.00
* give Carpet Color, Year And Body Build Date Or complete VIN# (enter on ckout screen)				
02-05G	Jack Board Carpet Inspection Number Label '11'	65-7	1	2.00
02-06A	<b>Oil Filter Instruction Decal</b> (replacement)(orig was stenciled)	63-7	1	3.00
02-07A	<b>Positraction Paper Label</b> On Jack Board	63-7	1	2.50
02-07B	<b>Posi Metal Tag</b> (on Rear End)	63-4	1	10.00
02-07C	<b>Red Plastic Posi Tag</b> (on Rear End)66-67	66-7	1	11.00
02-07C5	Red Plastic Posi Tag On Rear End (65 with Lube #)	65	1	11.00
02-07D	Rear Axle Id Metal Tag (3.08) (shape = id)	63	1	8.00
02-07E	Rear Axle Id Metal Tag (3.36) (shape = id)	63	1	8.00
02-07F	Rear Axle Id Metal Tag (3.55) (shape = id)	63	1	8.00
02-07G	Rear Axle Id Metal Tag (3.70) (shape = id)	63	1	8.00
02-07H	Rear Axle Id Metal Tag (4.11) (shape = id)	63	1	8.00
02-07J	Rear Axle Id Metal Tag (4.56) (shape = id)	63	1	8.00

Sec-Part#	Name	Year	#need/yr	price
<b>Radiator , cooling System Labels ... fan shroud, rad caution</b>				
02-08A	Harrison Radiator (Foil) 327, 396	63-7	1	\$ 3.50
02-08B	Radiator-Harrison Metal Plate - 63 EARLY TO MID	63E	1	12.00
02-08C	65-396 & 66-7 L88 Cooling Instruct On Fender	65-7	1	4.00
02-08D	Radiator Caution (before 12/62)on Exp Tank Rear	63	1	3.50
02-08E	Radiator Caution (12/62-4/64)on Radiator LH	63-4	1	3.50
02-08F	Radiator Caution (on 64 rad 65 Shroud) 327 and 396 (after 4/64- 65)64-5	63-7	1	3.50
02-08G	Inspection Numbers ("3","7")On Exp Tank And Rad (327/396)	63-7	1 PR	2.75 Pair
02-08H	Blower Motor & Heater Box Inspection Label (1)	63-7	2	2.00 Each
02-08J	66-7 427 Fan Shroud Inspection Label Set (3) (DF)	66-7	1 SET	2.75 Set
02-08K	66-7 427 Fan Shroud Inspect Label Set (Air Cond) (4)(DF)	66-7	1 SET	3.00 Set
02-08L	<b>Metal Tag</b> For 427 Radiator With Auto(MJ 3008566)	66-8	1	15.00
02-08M	<b>Metal Tag</b> For 427 4 Spd Brass Rad (MK 3008567)	66-8	1	15.00
<b>Radio Instruction Sheets, Tags, And Books</b>				
02-09A	Early 63 Wonderbar AM Radio Instruction Sheet	63E	1	4.00
02-09B	63 AM/FM Radio Instruction Sheet (#7285127)	63	1	4.00
02-09C	65-7 AM/FM Radio Instruction Sheet (#7291985)	65-7	1	3.75
02-09D	63L-4 AM/FM Radio Instruction Sheet (#7286857)	63L-4	1	4.00
02-09E3	<b>AM/FM Pocket Guide</b> (63 After 10/15/62) GM Licensed Repro	63	1	7.00
02-09E4	AM/FM Pocket Guide (64) GM Licensed Repro	64	1	7.00
02-09E5	AM/FM Pocket Guide (65) GM Licensed Repro	65	1	7.00
02-09J	FM Radio Card (RH Radio Knob) 63E March-Apr(60 Mi)	63E	1	3.00
02-09K	FM Radio Card (RH Radio Knob) 63L Apr-June(25 Mi)	63L	1	3.00
02-09L	FM Radio Card (RH Radio Knob)(64-65)(slit)	64-5	1	3.00
02-09M	FM Radio Card (RH Radio Knob)(65-6)(no Slit) ("to Remove Tag Remove Knob")	65-6	1	3.00
02-09N	FM Radio Card ( RH Radio Knob)printed One Side	67-9	1	3.00
<b>Transistor Ignition</b>				
02-10A	Transistor Ign Labels (1 Coil + 1 Amp)	64-7	1 PR	6.00 Pair
02-10B	x Service Bulletin For TI Ignition	64-7	1	n/a
<b>Valve cover Decals -HP Decals Are Water Soluble, other VC Labels Are Peel And Stick</b>				
02-11A	250 Horsepower Decal (use With 11H/11J) (1 Pr)	63-5	1 PR	4.00 Pair
02-11B	300 Horsepower Decal (use With 11H/11J) (1 Pr)	63-5	1 PR	4.00 Pair
02-11C	340 Horsepower Decal (1 Pr)	63	1 PR	4.00 Pair
02-11D	360 Horsepower Decal (1 Pr) (63 FI)	63	1 PR	4.00 Pair
02-11E	350 Horsepower Decal (1 Pr)	65-6	1 PR	4.00 Pair
02-11F	365 Horsepower Decal (1 Pr)	64-5	1 PR	4.00 Pair
02-11G	375 Horsepower Decal (1 Pr) (64-65 FI)	64-5	1 PR	4.00 Pair
02-11H	<b>Turbo-fire Valve Cover</b> Decal(63 metal)(250-300hp)1 pr	63	1 PR	12.00 Pair
02-11J	Turbo-fire Valve Cover Decal(63L-65 mylar)(250-300hp)pr	63L-5	1 PR	6.00 Pair
02-11K	1966 300 Horsepower- Turbo-fire Decal (1 Pr)	66	1 PR	6.00 Pair
02-11L	<b>67-427 Tonawanda #1</b> Decal Label on RH VC	67	1	5.50
02-11M	<b>Flint #1 Label:</b> Front Of RH VC (67/327)	67	1	3.50
02-12	<b>yellow 1 pc rectangle/ Rear of RH valve cover &gt; glue in place if you can't peel backing</b>			
02-12A	"HE" Label, RH Valve Cover, rear 327/300hp 4 Spd	66-7	1	2.50
02-12B	"HO" Label RH Valve Cover, rear 327/300hp Auto	66-7	1	2.50
02-12C	"JE" Label RH Valve Cover, rear 427/435hp	67	1	2.50
02-12D	"JC" Label RH Valve Cover, rear 427/400hp	67	1	2.50
02-12E	"IL" Label On RH VC, rear 427/390 hp 4 Spd	66-7	1	2.50
02-12F	"IQ" Label On RH VC, rear 427/390 Hp Auto	66-7	1	2.50
02-12G	"IP" RH VC, rear 427/425 Hp	66	1	2.50
02-12H	"JA" RH VC, rear 427/435 Hp A.I.R. (Smog)	67	1	2.50
02-12J	"IT" Yellow Label, RH VC, rear L88	67	1	2.50
02-12K	"HH" Yellow Label, RH VC, rear 327/300hp A.I.R.	66-7	1	2.50
02-12L	"HR" RH VC, rear 327/300hp Auto & A.I.R.	66-7	1	2.50
02-12M	"HD" Yellow Label, RH VC, rear 327/350hp A.I.R.	66-7	1	2.50
02-12N	"HT" Yellow Label, RH VC, rear 327/350hp	66-7	1	2.50
02-12P	"KH" Yellow Label, RH VC, rear 327/350hp A/C & A.I.R.	66-7	1	2.50
02-12Q	"HP" Yellow Label, RH VC, rear 327 350hp P/S & A/C	66-7	1	2.50
02-12R	"IM" Yellow Label, RH VC, rear 427/390 A.I.R.	66-7	1	2.50
02-12S	"IU" Yellow Label, RH VC, rear L89	67	1	2.50
02-12T	"JF" Yellow Label, RH VC, rear 427/400hp A.I.R.	67	1	2.50
02-12U	"JH" RH VC Rear L89 A.I.R.	67	1	2.50
02-12W	"JD" RH VC, rear 427/400hp Auto	67	1	2.50
02-12X	"IR" RH VC, rear 427/390hp Auto & A.I.R.	66-7	1	2.50
02-12Y	"JG" RH VC, rear 427/400hp Auto & A.I.R.	67	1	2.50
02-12 >	yellow 1 pc rectangle/ Rear of RH valve cover > glue in place if you can't peel backing Or try gentle heat to heat up the glue and peel			

Section #02 Decals – Labels – Stamp Kits – Chassis Stencils – Books – Manuals (no return Sect2)

Sec-Part#	Name	Year #	need/yr	price
<b>Misc - Seat Belt – fuel filter – shock - Transmission</b>				
02-13A	Seat Belt Buckle round bowtie Emblems (pair)	64-6	1 PR	\$ 9.00 Pair
02-13B	Seat Belt Retractor Instruct Tags (1 Pr)(<Dec65)	65-6E	1 PR	6.00 Pair
02-13C	x Fuel Filter Decal GF90	63-5	1	n/a
02-13D	Heavy Duty Shock Id Labels (2 Pr) (EN,EP)	63-7	1 SET	3.00 Set
02-13E	Master Cyl Bail Wire Label(YA) 67STD&PB (notJ56)	67	1	3.00
02-13F	PCV Valve Label (66-67 427)(orange/white CV736)	66-7	1	5.00
02-13G	Standard Shock Id Labels (2 Pr) (EL,EM)	63-7	1 SET	3.00 Set
02-13H	L88 Fuel Warning 103 Octane Label	67	1	3.00
02-13J	M22 Transmission & Diff Tags (1)	67	2	5.00 Each
02-13K	Traffic Hazard Switch Warning Tag & String	66	1	5.00
02-13L	67 J56 Master Cylinder Bail Wire Label (TG)	67	1	3.00
02-13M	Soft Top Rear Window Warning Tag (repl/glue on)	63-7	1	3.25
02-13N	Front Stabilizer Bar Tag- 327 Standard	63-7	1	4.00
02-13P	Front Stabilizer Bar Tag- 396/427 Standard	65-7	1	4.00
02-13Q	Front Stab Bar Tag- 327/396/427-F40,F41,Z06,L88	63-7	1	4.00
02-13R	PCV Valve Label (CV-590)(63all-early 64F1)	63-4	1	4.00
02-13S	Power Booster Check Valve Label (white/Red SF)	67	1	5.00
02-13T	Shoulder Harness Buckle Warning Labels (pr)	66-7	1 PR	10.00 Pair
02-13U	Battery Label "recommnd ...r59 ..."black Label	67	1	8.00 Each

Sec-Part#	Name	Year #	need/yr	price
<b>Inspection Stamp Kits--(stamp,ink,pad) Radiator – Air Cond- Muffler Stamps/Stencils,</b>				
02-15A	"16 CT" 327 Rad. Inspection Stamp Kit	63-7	1	\$ 25.00 Kit
02-15B	x "06A CG" 396 Radiator Inspect Stamp Kit	65	1	n/a
02-15C	"06A MG" L88 Radiator Inspect Stamp Kit	67	1	\$ 30.00 Kit
02-15D	OK Final Test-A/C Compressor Stamp Kit	63-7	1	25.00 Kit
02-15E	X Off Road Muffler Rubber Stamp Kit (w white ink)(on muffler) (see Adams-complete Rest.& Tech Guide-pg 366)	63-7	1	N/A
02-15E1	OFF ROAD ASSEMBLY STENCIL (ALL ONE LINE)(on muffler)		1	\$ 12.00
02-15E2	OFF ROAD ASSEMBLY STENCIL (ON 2 LINES)(on muffler)		1	12.00
02-15F	Rubber Stamp & Pad For Holley Carb (specify # or yr/hp)	64-7	1	15.00
02-15G	x Stamp For "CJ" On Fan Clutch 327 - no more	63-7	1	n/a
02-15H	X Stamp For "CK" On Fan Clutch 396-427	65-7	1	n/a

Sec-Part#	Name	Year #	need/yr	price
<b>Front spring Tags - green with black writing 64-67 (63 not available)</b>				
02-16A	Front Spring Tags Standard 327 (ED)(pr)	64-7	1 PR	\$ 5.00 Pair
02-16B	Front Spring Tags (EB) Big Block Std no a/c (pr)	65-7	1 PR	5.00 Pair
02-16C	Front Spring Tags F40,F41,L88 (EA)(pr)	64-7	1 PR	5.00 Pair
02-16D	Front Spring Tags Big Block W A/C (EF)(pr)	66-7	1 PR	5.00 Pair

**On Rear of Dash Cluster Case - Denotes HP -- We do not publish the #'s, regular= Red Writing, SW=Speed Warning =Green Writing.**

Sec-Part#	Name	Year #	need/yr	price
02-18A	Dash Cluster Sticker (65 250-300hp)	65	1	\$ 5.00
02-18B	Dash Cluster Sticker (65 350hp)	65	1	5.00
02-18C	Dash Cluster Sticker (65 365,375,425hp)	65	1	5.00
02-18D	Dash Cluster Sticker (66 300hp)	66	1	5.00
02-18E	Dash Cluster Sticker (66 350hp)	66	1	5.00
02-18F	Dash Cluster Sticker (66 390hp) N/A	66	1	N/A
02-18G	Dash Cluster Sticker (66 425hp)	66	1	5.00
02-18H	Dash Cluster Sticker (67 300hp)(no Sw)	67	1	5.00
02-18J	Dash Cluster Sticker (67 350,390,400hp)(no Sw)	67	1	5.00
02-18K	Dash Cluster Sticker (67 430-435hp)(no Sw)	67	1	5.00
02-18L	Dash Cluster Sticker (67E 300hp)(speed warning)	67E	1	5.00
02-18M	Dash Cluster Sticker (67E 350,390,400hp)(sw)	67E	1	5.00
02-18N	Dash Cluster Sticker (67E 430-435hp)(sw)	67E	1	5.00
02-18P	Dash Cluster Sticker (67L 300hp)(speed warning)	67L	1	5.00
02-18Q	Dash Cluster Sticker (67L 350,390,400hp)(sw)	67L	1	5.00
02-18R	Dash Cluster Sticker (67L 430-435hp)(sw)	67L	1	5.00

**Chassis Stencils - 63-7 Give Serial # Or Date Of Production Of Car >enter on ckout screen**

Sec-Part#	Name	Year #	need/yr	price
02-28A	Chassis Part Number Stencil (give Serial #)	63	1	10.00
02-28B	Chassis Part Number Stencil (give Serial #)	64	1	10.00
02-28C	Chassis Part Number Stencil (give Serial #)	65	1	10.00
02-28D	Chassis Part Number Stencil (give Vin #)prenov65	66E	1	10.00
02-28DD	Frame And Date Stencil 66 After Nov 65 *	66	1	10.00
02-28E	Chassis Part Number Stencil (give Serial #)	67	1	10.00
02-29	Chassis Date Stencil-give Date Needed(month&day) Give Serial # Or Date You Want	67	1	\$ 10.00
02-30A	Stencil White Spray Ink (for Chassis Numbers)	63-7	1	12.00
02-30B	Stencil Black Spray Ink (for Gas Tank Stencil) – no more (use White Ink For 67 Gas Tank Stencil) or use black paint and roller	63-6	1	n/a
02-31	Chassis Marking Crayon Set (4 Pc) (1 ea white/red/orange/green)	63-7	1 SET	15.00 Set
02-32	Gas Tank Stencil ___(use With Black Ink 63-6, 67 white ink)	63-7	1	10.00

Sec-Part#	Name	Year #	need/yr	price
<b>Books – Assembly Manuals &gt; A must for All Restoration – Schematic Diagrams ...</b>				
02-14A	Assembly Instruction Manual 63	63	1	25.00
02-14B	Assembly Instruction Manual 64	64	1	25.00
02-14C	Assembly Instruction Manual 65	65	1	25.00
02-14D	Assembly Instruction Manual 66	66	1	25.00
02-14E	x Assembly Instruction Manual 67 – no more	67	1	n/a

**Shop and Overhaul Manuals**

Sec-Part#	Name	Year #	need/yr	price
02-55	Shop Manual 63	63-5	1	35.00
02-56	Shop Manual Supplement 64- (use With 02-55)	64	1	23.00
02-57A	Shop Manual Supplement 65- (use With 02-55)	65	1	19.00
02-57B	Shop Manual Supplement 65 (396 Engine)	65	1	22.00
02-58A	Service Manual 66	66	1	49.00
02-58B	Overhaul Manual 66 - Cd Rom Only -	66	1	39.00
02-59A	Service Manual 67	67	1	N/A
02-59B	x 67 Overhaul Manual 67	N/A	1	N/A

**Books – some out of print. See online - no returns -**

Sec-Part#	Name	Year #	need/yr	price
02-23	Corvette: A Piece Of The Action (Book) (2nd Ed.)		1	30.00
02-26	Corvettes For The Road (book) by H. Rasmussen		1	20.00
02-65A	Chevrolet By The Numbers (verify V8 Drivetrain)	60-64	1	30.00
02-65B	Chevrolet By The Numbers (verify V8 Drivetrain) (Parts, Small & Big Block, Corvette & Pass)	65-69	1	30.00
02-65F	x Corvette By The Numbers 55-82 by Alan Colvin X SOL OUT	55-82	1	x
02-66	Corvette Color Chips (exterior Colors Samples)	63-72	1	9.95
02-70A	Corvette: American Legend #1 By Noland Adams		1	25.00
02-67A	1963 Accessory Booklet	63	1	6.00
02-67B	1964 Accessory Booklet	64	1	6.00
02-67C	X 1965 Accessory Booklet X	65	1	n/a
02-67D	1966 Accessory Booklet	66	1	6.00
02-67E	X1967 Accessory Booklet	67	1	N/A
02-71	Fiberglass Repair Booklet		1	5.00
02-89A	Corvette Sales Brochure 1963	63	1	15.00
02-89B	Corvette Sales Brochure 1964	64	1	15.00
02-89C	Corvette Sales Brochure 1965	65	1	15.00
02-89D	Corvette Sales Brochure 1966	66	1	15.00
02-89E	Corvette Sales Brochure 1967	67	1	15.00
02-90	X Owner's Pin (Brass Repro) -- ALL GONE -	63-6	1	NO MORE.
02-91	Owner's Patch	63-6	1	5.00

Dobbins Fact Book and Noland Adams Restoration Guide BOTH out of print Try Amazon or Ebay

All labels/decals/books are reproductions n/a= not available

**No Returns on Section 02 -**

Corvette, Chevrolet, Bowtie, Stingray Are Trademarks Of General Motors Inc. Certain Emblems And Decals Are Reproduced Under License From General Motors Corp



Certain Decals with GM/Chevrolet Emblems above are purchased from an official GM Licensee.

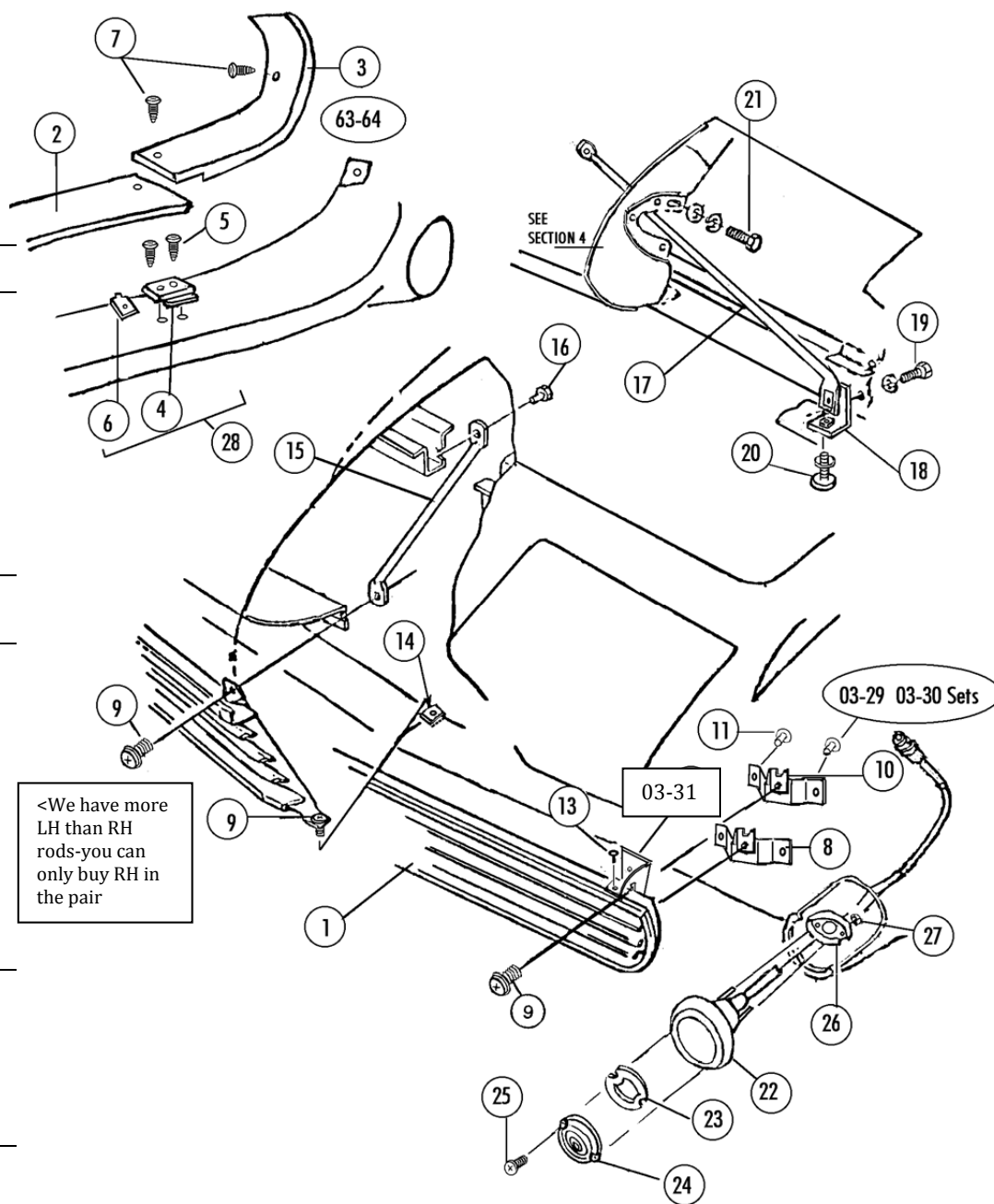
[we are directly licensed on the following: 02 : 4B, 4C,,4D,4E,4W,4Y,5A,5B,5C,5D,5E,9E3,9E4,9E5,13W]



## Section # 03 Grills & Mounting • Nose Support Rods • Parking Lights

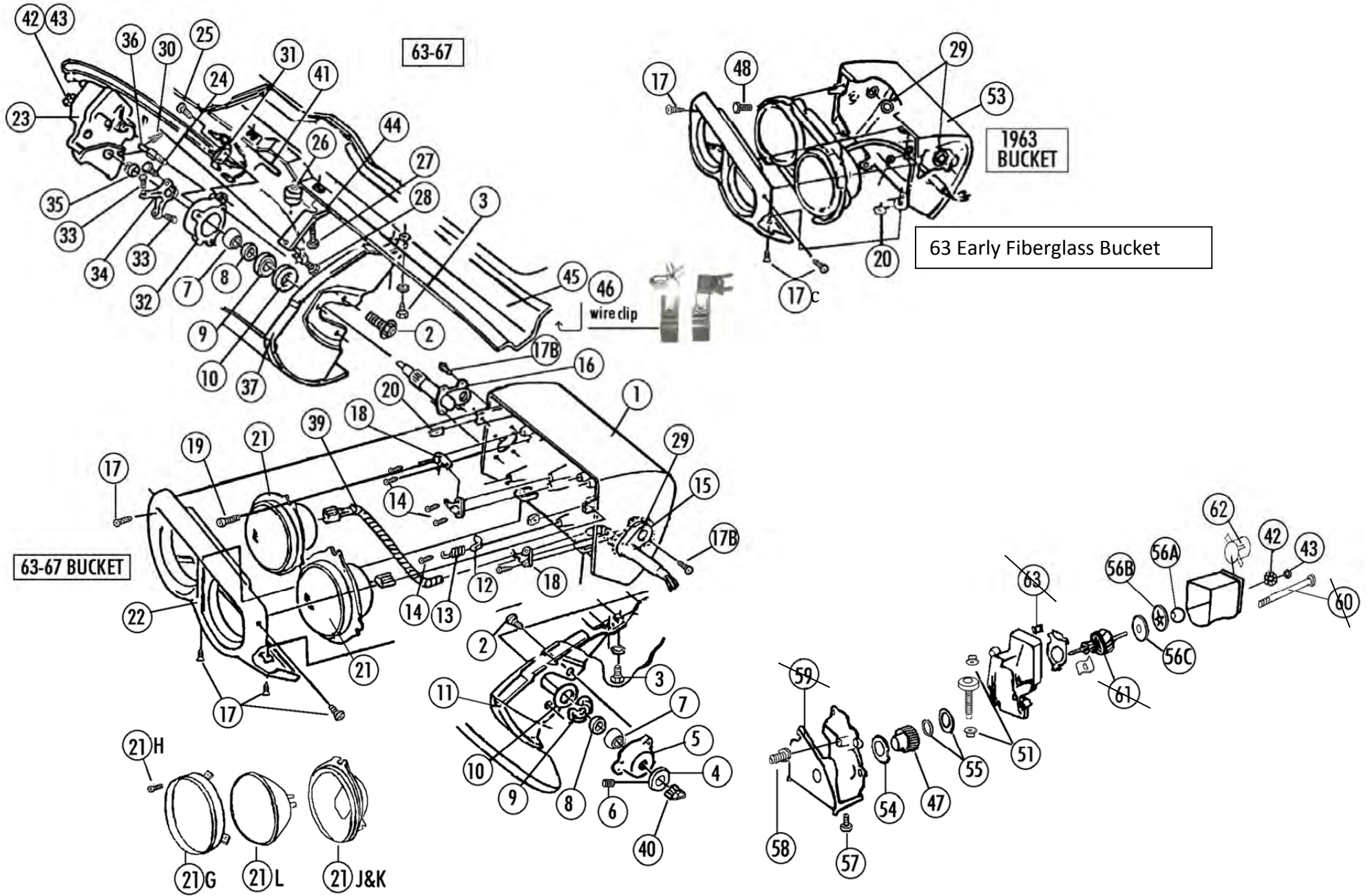
Sec-Part#	Name	Year	#Need/Car	\$ Inc	
03-01A	63-4 Grill (USA) SPL \$ SALE	63-4	1	\$ 375.00	
03-01B	X 65 Grill (USA) X we don't sell	65	1		N/A
03-01C	X 66-7 Grill (Original GM) (call Chevy) we don't sell	66-7	1		N/A
03-02	x Center Grill Molding X DISCONTINUED.	63-4	1		
03-03C	Grill Side Moldings (pair) LAST PAIR	63-4	1 PR	105.00	PAIR
03-04	Grill Molding Clip	63-4	5	4.00	Each
03-05	Screws & Rivets (for Clip #4)(10 + 6)	63-4	1 SET	3.75	Set
03-06	U-nut (for #7)(6 Pc)	63-4	1 SET	2.00	Set
03-07	Screw For Grill Molding (6 Pc)	63-4	1 SET	3.00	Set
03-28 ▶	Molding Clip & Screw Set (#4,5,6,7)	63-4	1 SET	24.00	Set
03-29 ▶	Grill Bracket Set (#03-08A,9A,10A,10C,11A)	63-4	1 SET	22.00	Set
03-30 ▶	Grill Bracket Set (#03-08B,09B,14,10D,11B)	65-7	1 SET	25.00	Set
03-08A	Grill Bracket (1) (on body)	63-4	2	\$ 5.00	Each
03-08B	Grill Bracket (1) (on body)	65-7	4	5.00	Each
03-09A	Grill Screw (12 Pc)	63-4	1 SET	9.00	Set
03-09B	Grill Screw (6 Pc)	65-7	1 SET	4.50	Set
03-09C	Grill Screw (sheet Metal)(12 Pc) (E=Sept/Oct62)	63E	1 SET	6.00	Set
03-10A	Grill U-nut (10 Pc)(repl/longer)(in set 3-29)	63-4	1 SET	7.50	Set
03-10AR	Grill U-nut (10 Pc) repro / square orig type (not in 3-29)	63-4	1 SET	42.00	Set
03-10B	Grill U-nut (for Sheet Metal Screw)(10 Pc)	63E	1 SET	3.50	Set
03-10C	Grill Bracket U-nut (2 Pc) (repl)	63-4	1 SET	1.50	Set
03-10D	Grill Bracket U-nut (4 Pc) (repl)	65-7	1 SET	3.00	Set
03-10E	Grill Bracket U-nuts(for Sheet Metal Screws)(2)	63E	1 SET	0.50	Set
03-11A	Rivets, Grill Bracket (4 Pc)	63-4	1 SET	1.00	Set
03-11B	Rivets, Grill Bracket (8 Pc)	65-7	1 SET	2.00	Set
03-12	>> see 03-31 Auxiliary Grill Bracket (1) (on 66-67 grill)	66-7	2		
03-13	Rivets (4 Pc) (for Aux Grill Bkt)	66-7	1 SET	1.00	Set
03-31 ▶	Auxiliary Grill Bracket Set on grill 2 bkts 4 rivets(12+13)	66-7	1 SET	17.00	Set
03-14	J-nut (centr grill rod at bottom)(repl/longer)	65-7	1	\$ .75	
03-14R	u-nut repro/square (centr grill rod at bottom)	65-7	1	\$ 4.50	
03-15A	Center Brace Rod (to Bottom Of Grill) 1965	65	1	25.00	
03-15B	Center Brace Rod (to Top Of Grill) 66-67	66-7	1	20.00	
03-16A	Bolt (top Of center brace)	65-7	1	0.50	
03-16B	Bolt- bottom Of center nose brace	65	1	2.00	
03-17A	Nose Support Rod 63-6 LH ONLY	63-5	1	20.00	
03-17AB	Nose Support Rod 63-65 LH + RH	63-5	1 PR	45.00	PAIR
03-17CD	Nose Support Rod 66-67 LH + RH	66-7	1 PR	45.00	PAIR
03-18A	Rod Bracket(1) (for lower nose rod)	63-5	2	8.00	Each
03-18B	Rod Bracket(1) (for lower nose rod)	66-7	2	8.00	Each
03-19	Bracket Bolt & Washer (pr)(repl mark)	63-7	1 PR	2.50	Pair
03-20	Lower Panel Screws (pr)	63-7	1 PR	1.50	Pair
03-21	Rod Upper Bolts & Washers (pr) (repl Hdmk)	63-7	1 PR	1.50	Pair
03-32 ▶	Support Rod Bolt Set (1 Pr EA #19,20,21)repl marks	63-7	1 SET	5.50	Set
03-22	Parking Light (1) (USA) (with 23,24,25)	63-7	2	\$ 110.00	Each
03-23	Gaskets (for Parking Light Lens)(pr)	63-7	1 PR	3.00	Pair
03-23B	Plug For Parking Light (on Main Harness)	63-7	2	5.00	Each
03-23E	X Parking Light Bulb (1) (for Usa Or Orig Light)#1157	63	2		N/A
03-24	Parking Light Orange Lens (1)	63-7	2	11.00	Each
03-25	Parking Light Lens Screws (4 Pc)	63-7	1 SET	2.50	Set
03-26	Retainer Bracket (parking Light) (1)	63-7	2	9.50	Each
03-27	Nuts (parking Light)(4 Pc)	63-7	1 SET	2.00	Set
03-28 ▶	Molding Clip & Screw Set (#4,5,6,7)	63-4	1 SET	\$ 24.00	Set
03-29 ▶	Grill Bracket Set (#03-08A,9A,10A,10C,11A)	63-4	1 SET	24.00	Set
03-30 ▶	Grill Bracket Set (#03-08B,09B,14,10D,11B)	65-7	1 SET	28.00	Set
03-31 ▶	Auxiliary Grill Bracket Set (2ea #12 bkt & 13 rivets)	66-7	1 SET	20.00	Set
03-32 ▶	Support Rod Bolt Set (1 Pr EA #19,20,21)	63-7	1 SET	6.00	Set

(u-nuts in grill bracket sets are the replacement type)



All prices subject to change - check online catalog for current pricing.  
 LH = Driver's side  
 #need column - shows #needed Per CAR - ORDER QUANTITIES.





## Section 04 Headlights, HL Motor Mounts, Bulbs, Bucket/Housing, Mounting Hardware

Sec/part#	Name	Year	#NEED/CAR	Price
04-01A	Housing LH (metal), Headlight (repro)	64-7	1	\$ 250.00
04-01B	Housing RH (metal), Headlight (repro)	64-7	1	250.00
04-22A	Headlight Front Bezel LH (METAL) repro metal	63L-7	1	\$ 150.00
04-22B	Headlight Front Bezel RH (METAL) repro metal	63L-7	1	\$150.00
04-02	Pod Bolts (B&H Hdmrk) (12) (for metal buckets)	63-7	1 SET	15.00 Set
04-03	End Assembly Mounting Bolts (E HDMK) (8 Pc)	63-7	1 SET	6.00 Set
04-04	Spacer (end collar)(includes Set Screw #4-06)(1)	63-7	2	6.00 Each
04-05	Outer Support, Headlight	63-7	2	50.00 Each
04-06	Set Screws (2 Pc) (for end collar #4)	63-7	1 PR	0.50 Pair
04-07A	Headlight Bearing (Brass & Steel) orig type (1)	63-7	4	8.50 Each
04-07B	HL Bearing-Nylon Replacement (1) (\$ REDUCED)	63-7	4	8.00 Each
04-52▶	Set Of Felts,washers And Retainers(8,9,10)(4 Ea)	63-7	1 SET	26.00 Set
04-08	Felt Seals (4 Pc), Headlight	63-7	1 SET	5.00 Set
04-09	Rubber Retainer, Headlight	63-7	4	3.00 Each
04-10	Metal Washer, Headlight	63-7	4	3.00 Each
04-11A	End Assembly, Outer LH headlight (metal+fiberglass)	63-7	1	\$ 55.00
04-11B	End Assembly, Outer RH headlight (metal+fiberglass)	63-7	1	55.00
04-12	Insulators- Spring Retainers (4 Pc)	63-7	1 SET	5.00 Set
04-13	Headlight Bulb Springs (4 Pc)	63-7	1 SET	6.00 Set
04-14	Screws (20 Pc) (for Adj Bracket#18 & Insul #12)	64-7	1 SET	10.00 Set
04-15A	Pivot Outer LH	64-7	1	70.00
04-15B	Pivot Outer RH	64-7	1	70.00
04-16A	Pivot Inner LH	64-7	1	75.00
04-16B	Pivot Inner RH	64-7	1	75.00
04-17B	Screws-headlight pivots (16 Pc) (zinc)	64-7	1 SET	10.00 Set
04-17C	Screw Set-HL Bezel (4 Short,4 Long)(<may)(blk)	63E	1 SET	3.50 Set
04-17D	Screw Set-HL Bezel (8 Pc)(after April63)black	63L	1 SET	2.00 Set
04-17E	Screw Set Headlight Bezel (4+4) (zinc)	64-7	1 SET	3.50 Set
04-18	Plastic Adjuster Brackets & Screws(#19) (8+8)	63-7	1 SET	14.00 Set
04-19	Adjuster Screws (correct 1")(for 18)(8 Pc)	63-7	1 SET	5.25 Set
04-19B▶	Headlight <b>Bulb Mounting Set</b> (12,13,14,18)	64-7	1 SET	35.00 Set
04-20	U-nuts (4 Pc) (for 63 Order 2 Sets)	63-7	1 SET	2.75 Set
04-21A	Lamp Asm LH Outer (not T-3) (with housing,ring)	63	1	\$ 45.00
04-21B	Lamp Asm RH Outer (not T-3) (with housing,ring)	63	1	45.00
04-21C	Lamp Asm LH Inner (not T-3) (with housing,ring)	63	1	49.00
04-21D	Lamp Asm RH Inner (not T-3) (with housing,ring)	63	1	49.00
04-21E	Lamp Asm L&R/Outer (dual)(NotT3)(w housng,ring)	64-7	2	49.00 Each
04-21F	Lamp Asm L&R Inner (high)(Not T3)(w housing,ring)	64-7	2	49.00 Each
04-21G	Retaining Ring (1) for headlight bulb	63-7	4	10.00 Each
04-21H	Screws (12) for Headlight Ring (slotted)	63-7	SET	8.00 Set
04-21J	HL Bulb Rear Housing (inner/high)(square hole)	64-7	2	15.00 Each
04-21K	HL Bulb Rear Housing (outer/dual)(square hole)	64-7	2	15.00 Each
04-21L	Headlamp <b>T3 Bulb Set</b> (2 Hi & 2 High-lo)(USA/SmallDOT)	60-7	1 SET	\$ 155.00 Set
04-21N▶	Lamp Assembly (4 T3 Bulbs With Housing,ring,screw)	64-7	1 SET	\$ 270.00 Set
	>> incl 4)#21G, #21H, 2)#21J, 2)#21K, #21L			
04-22A	Headlight Front Bezel LH (METAL) repro metal	63L-7	1	\$ 150.00
04-22B	Headlight Front Bezel RH (METAL) repro metal	63L-7	1	\$150.00
04-23 x	Headlight Motor- we don't sell HL Motors	63-7	1	N/A
04-24	Y Stop Mounting Bolts (2 Pc)	63-7	1 SET	1.00 Set
04-25	Bolts For Warning Switch (set Of 4)	63-7	1 SET	2.00 Set

Sec/part#	Name	Year	#NEED/CAR	Price
<b>04-50▶</b>	<b>Headlight Motor Mount Set (2 Ea #26,27,28,30,44)</b>	<b>63-7</b>	<b>1 SET</b>	<b>\$30.00 Set</b>
04-26	Headlight Motor Grommet Assembly (1)	63-7	2	6.00 Each
04-27	Bolts For HL Grommet Mounting (2 Pc)	63-7	1 SET	\$ 3.50 Set
04-28	Motor Bracket Ground Bolt & Lw (2 Ea) (P Hdmk)	63-7	1 SET	1.75 Set
<b>04-29</b>	<b>hole plugs in HL pivots (black)(4)</b>	63-7	1 SET	2.50 Set
04-30	Motor Retainer Clips (for Stud #36)(2 Pc)	63-7	1 SET	2.00 Set
04-31	<b>HL Warning black Limit Switch</b> ("lights")	63-7	2	11.00 Each
04-32A	Support Inner LH	63-7	1	48.00
04-32B	Support Inner RH	63-7	1	48.00
04-33	HL Y-Stop Bolts (4)	63-7	1 SET	5.00 Set
04-34	<b>Headlight Y Stop</b> (aluminum)	63-7	2	39.00 Each
04-35	Motor Bushings (2 Pc) (white)	63-7	1 SET	3.00 Set
04-36	Head Light Motor Stud	63-7	2	7.50 Each
04-37A	End Assembly, Inner LH headlight (metal+fiberglass)	63-7	1	55.00
04-37B	End Assembly, Inner RH headlight (metal+fiberglass)	63-7	1	55.00
04-39	Wire Assembly Ext >>see Sect 43-02J Or K see section 43 for wiring.			
04-40A	Headlight Extension Plugs (on Bucket) (2 Pc)	63-7	1 SET	6.00 Set
04-40B	Headlight Extension Plugs (on Main Harness) (2 Pc)	63-7	1 SET	6.00 Set
04-41	Wire Harnesses (see Section 43-02...)			
04-42	Headlight Motor Wheel (1)	63-7	2	5.00 Each
04-43	Retainers For HL Motor Wheel (2 Pc)	63-7	1 SET	1.00 Set
04-44	HL Motor Bracket (1)	63-7	2	5.75 Each
04-45	Header Bar / Bonding Strip (see 54-05d) section 54			
<b>04-46</b>	<b>Wire Clips On Header Bar (4 Pc)(black phosphate)</b>	<b>63-7</b>	<b>1 SET</b>	<b>29.00</b>
04-47R	Headlight Drive Gear (1)	63-7	2	30.00 Each
04-48	Headlight Pod Bolt (8 Pc) (for fiberglass buckets 63 early)	63E	1 SET	4.00 Set
04-49	X Headlight Motor Round Plug (2)	63-7	1 PR	N/A
<b>04-50▶</b>	<b>Headlight Motor Mount Set (2 Ea #26,27,28,30,44)</b>	<b>63-7</b>	<b>1 SET</b>	<b>27.00 Set</b>
04-51	HL Motor Gear "Top Hat" Bushings (1 Pr)	63-7	2 PR	7.50 Pair
04-52▶	<b>Set Of Felts,washers And Retainers (8,9,10)(4 Ea)</b>	63-7	1 SET	26.00 Set
04-53A	x Headlight Bucket Fiberglass Skin (LH)	63	1	n/a
04-53B	x Headlight Bucket Fiberglass Skin (RH)	63	1	n/a
04-54	Nylon Washer In HL Motor For Drive Gear (1)	63-7	2	4.00 Each
04-55	Hard Steel Washers In HL Motor For Drive Gear(1 Curved, 1 Flat)(pr)		need <b>2 PR</b>	6.00 /pr
04-56A	Headlight Motor Bronze Bearing	63-7	2	7.00 Each
04-56B	Headlight Motor Bearing Retainer Spring	63-7	2	7.00 Each
04-56C	Retainer For Headlight Motor Bearing Spring(1)	63-7	2	6.00 Each
04-57	Headlight Motor Aluminum Bracket Screws (4)	63-7	1 SET	3.00 Set
04-58	X HL Motor Armature Adjusting Stud & Nut	63-7	2	N/A
04-62	X HL Motor Plug Socket (white) --no more	63-7	2	N/A

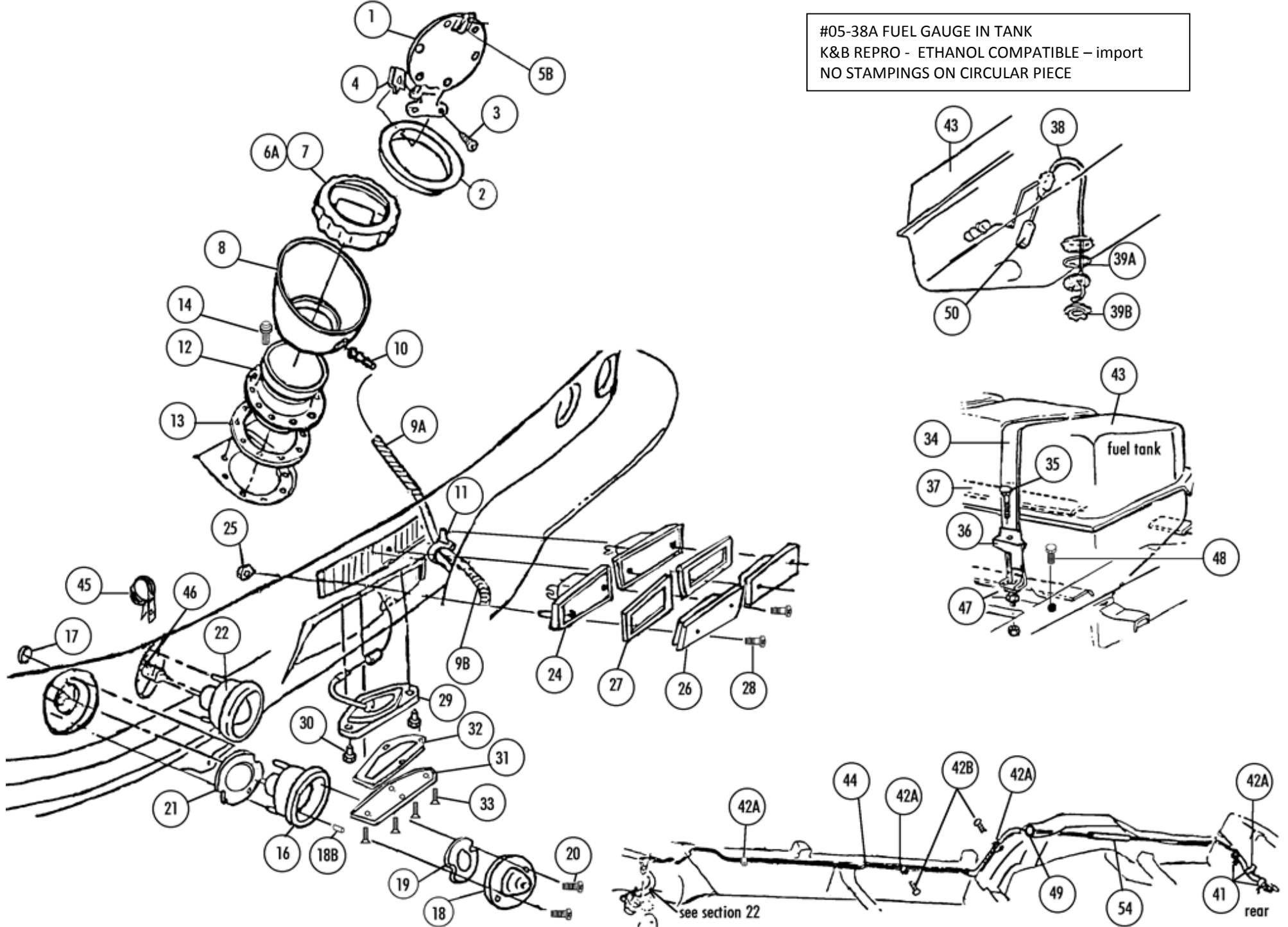
N/A = not available, discontinued.

We do not sell Headlight Motors.

# need column = how many you need per car --- order 2 if noted as 2 in column.

# Section 05 Rear Body: Tail Lights, License Light, Fuel Tank, Fuel Doors & Mtg, Fuel Tank Mounting, Fuel Lines & Clips

#05-38A FUEL GAUGE IN TANK  
K&B REPRO - ETHANOL COMPATIBLE - import  
NO STAMPINGS ON CIRCULAR PIECE





## Section 05 Tail Lights, License Light, Fuel Tank, Fuel Doors & Mtg, Fuel Tank Mounting, Fuel Lines on Frame & Clip set

Part#	Name	Year	#NEED/Car	\$
05-01F	Fuel Filler <b>Roller</b> Door Complete (til June 63)	63E	1	\$195.00
05-01A	Fuel Filler Lid (after May 63 ,non Roller)	63L	1	105.00
05-01B	Fuel Filler Lid	64	1	105.00
05-01C	Fuel Filler Lid	65	1	105.00
05-01D	Fuel Filler Lid (black Up LH Flag)(#8931-26467)	66	1	105.00
05-01J	Fuel Filler Lid (white Corner LH Flag) 66E & 66L	66	1	105.00
05-01E	Fuel Filler Lid (Primed)	67	1	155.00
05-01G	Fuel Door Plastic Roller (1963 w roller type door)	63	1	4.00
05-01H	Fuel Door Roller Bracket & Roller	63	1 SET	16.00 Set
05-02A	Bezel (for Fuel Lid)(roadster)	63L-7	1	28.00
05-02B	Bezel (for Fuel Lid)(coupe)	63L-7	1	28.00
05-02C	Bezel (for Roller Fuel Lid)(63 all)	63	1	30.00
05-03	Lid & Bezel Screws (4 Pc)	63-7	1 SET	1.25 Set
05-04	Fuel Bezel J-nuts (4 Pc)	63-7	1 SET	1.40 Set
05-05A	Lid Latch Spring x	63L-7	1	N/A
05-05B	Lid Latch Screw (original style)	63-7	1	1.00
05-06A	Fuel Filler <b>Cap</b> With Fiber Gasket (SMC Logo)	63-7	1	<b>37.00</b>
05-06B	Locking Fuel Cap (vented)	63-7	1	50.00 Each
05-06C	Key Blank For Original Locking Fuel Cap (NOS)	63-7	2	3.00 Each
05-07A	Gasket For Standard Fuel Cap(correct fiberboard)	63-7	1	2.75
05-07B	Gasket For Locking Fuel Cap (black rubber) X	63-7	1	N/A
05-08	Fuel Tank <b>Neck Boot</b>	63-7	1	\$ 22.00
05-09A	Hose, Fuel Overflow (ribbed)	63-7	1	6.00
05-09B	Reinforcement Spring (goes inside hose 05-09A)	64-7	1	5.00
05-10	Overflow Nipple (in Fuel Boot)	63-7	1	3.50
05-11A	White Hose T Strap (for overflow to bumper brace)	63-4	1	2.00
05-11B	Black Hose T Strap (for overflow to bumper brace)	65-7	1	2.00
05-12A	Fuel Filler Neck- Coupe	63-7	1	75.00
05-12B	Fuel Filler Neck- Roadster	63-7	1	75.00
05-13	Fuel Neck Gasket	63-7	1	3.00
05-14	Fuel Neck Bolts With Seal (9 Pc) (L hdmk) USA	63-7	1 SET	<b>11.00</b> Set
05-16E	Parking/Tail Light Bulb	63	4-6	1.00 Each
05-16F	Parking/Tail Light Bulb #1157	64-7	4-6	N/A
05-16G	► <b>Tail Light Set</b> (all Red)(4 Pc)	63-7	1 SET	\$ 310.00 Set
05-16H	► <b>Tail Light/Backup Light Set</b> (2 Red,2 White)(4pc)	63-6	1 SET	\$ 320.00 Set
05-17	Tail Light & Back Up Light Nuts (8 Pc)	63-7	1 SET	3.00 Set
05-18A	Tail Light Red Lens (1)	63-7	4	14.00 Each
05-18B	Tail Light Lens Wicks (4 Pc)	63-7	1 SET	4.00 Set
05-19	Tail Light Lens Gaskets (cork)(4 Pc)	63-7	1 SET	<b>8.00</b> Set
05-20	Lens Screws (8 Pc) (Tail light lens)	63-7	1 SET	5.00 Set
05-21	Tail Light Mounting Gaskets (4 Pc)	63-7	1 SET	7.50 Set
05-22C	Back Up Light Bulb	63-7	2	<b>2.00</b> Each
05-23	Back Up Light <b>White Lens</b> (1)	63-6	2	9.00 Each
05-24	x <b>Back Up Lights</b> - Complete (pair) (w lens,gaskt,scews)67	67	1 PR	\$ N/A
05-25	Back Up Light Nuts (4 Pc)	67	1 SET	1.50 Set
05-26	Lenses (1 Pair) 67 Back up Lights (L+R)	67	1 PR	65.00 Pair
05-27	White Gaskets, 67 Back Up Light Lens (pr)	67	1 PR	3.75 Pair
05-28	Screws (4), for 67 back Up Lens	67	1 SET	3.00 Set

See Section 22 for fuel pump, fuel line sets, see section 39 for fuel gauge on dash

N03 = 36.5 Gallon Fuel Tank RPO Option N03 // Standard Fuel Tank is 20 gallon

Part#	Name	Year	#NEED/Car	\$
05-29B	License Light Bulb	63-7	1	<b>\$ 2.00</b>
05-29C	<b>License Light</b> (with lens,gasket,lens screws,bulb)	63-7	1	115.00
05-30	License Light Screw, Nut, Washers (12 Pc Set)	63-7	1 SET	3.25 Set
05-31	License Light Lens (correct)	63-7	1	14.00
05-32	License Lens White Gasket (correct)	63-7	1	4.00
05-33	License Lens Screws (correct)(4 Pc)	63-7	1 SET	3.50 Set
05-34A	Fuel Tank <b>Straps</b> - 20 Gal (1 Pr)	63-7	1 PR	32.00 Pair
05-34B	X Fuel Tank Straps- 36 Gal (1 Pr) DISCONTINUED	63-7	1 PR	N/A
05-35	Strap Bolts And Nuts (1 Pr) (P Headmark)	63-7	1 PR	<b>5.25</b> Pair
05-36	Fuel Tank Strap Reinforcements (pr)	63-7	1 PR	16.00 Pair
05-37	Fuel Tank Felt Anti-squeak Pads (1 Pair) (20 Gal	63-7	1 PR	4.00 Pair
05-37B	Fuel Tank Felt Anti-squeak Pads (N03 - 36 Gal)	63-7	1 SET	6.00 Set
05-38A	x <b>Fuel Gauge In Tank</b> 20 Gal (with #39A & 50)import	63-		o/s
	/Ethanol Compliant /yes #39A=ORING,#50 filter			<b>5/2020 no tanks, no gauge</b>
05-38B	xFuel Gauge In Tank- 36 Gal (N03 Option)	63-7	1	N/A
05-39A	Tank Gauge GASKET (20 Gallon Tank)	63-7	1	<b>3.50</b>
05-39B	Gauge Retainer Metal Cam	63-7	1	<b>4.00</b>
05-39C	Fuel Sender Gauge Removing/installing Tool	63-7	1	24.00
05-40A	Fuel Gauge Gasket 36 Gallon Tank	63-7	1	5.00
05-40B	Screw For 36 Gal. Fuel Sending Gauge To Tank(5)	63-7	1 SET	5.00 Set
05-41A	Rear Fuel Tank Hose & 2 tower clamps x use 05-41b	63	1 SET	useB
05-41B	Rear Fuel Tank Hose & 2 Clamps	64-7	1 SET	4.50 Set
05-41C	Rear Fuel Tank 3 Hose & 6 Clamp Set (N03 Only) <b>REPLCMNT</b>		1 SET	8.00 set
05-41D	X Brass T & Elbow In Tank Bottom (N03 Only)(5pc)	63-7	1 SET	N/A
05-41E	green clamps (4) (round) for 64-67 fuel hoses	64-7	1	3.50 set
05-41F	X Tower clamps (4) for 63 fuel hoses	63	1	N/A
05-42A	► <b>Fuel Line Clip Set</b> (6 Pc)	63-7	1 SET	8.75 Set
05-42B	Bolt Set For Fuel Line Clips (6 Pc) (D Hdmk)	63-7	1 SET	5.00 Set
x05-42F	xN03 Crossover Fuel Line Clips To Underbody (pr)	63-7	1 PR	N/A
05-43B	<b>Fuel Tank-20 Gal</b> (OEM with OLA Logo) add'l Ship\$	63-7	1	\$ 250.00
05-44A	x Fuel Line (tank To pump) 327 (steel)	63-7	1	n/a
05-44B	x Fuel Line (tank To pump) 396/427 (steel)	65-7	1	n/a
05-44C	Fuel Line Set (tank To pump) 36 Gal/327	63-7	1 PR	\$ 180.00 Pair
05-44D	Fuel Line Set (tank To pump) 36 Gal 396/427	65-7	1 PR	\$ 180.00 Pair
05-45	Wire Clips (for Rear Wiring Harness)(3 Pc)	63-7	1 SET	4.50 Set
05-46A	Tail Light Socket Plug (two Wire)	63-7	2-4	<b>16.00</b> Each
05-46B	Back Up Light Socket Plug (single Wire)	63-7	2	<b>16.00</b> Each
05-46C	Accordion Boot For Tail/stop Or Backup Lamp	63-7	4-6	12.50 Each
05-47A	Fuel <b>Tank Support</b> 1963	63	1	\$ 179.00
05-47B	Fuel Tank Support	64-7	1	\$175.00
05-48	Fuel Tank Support Bolts, Fw, Slw, Nut (4 Ea)no mark	63-7	1 SET	8.00 Set
05-49	Plastic Bushing, front to rear Fuel Line In Frame	63-7	1	2.50
05-50	Strainer For Fuel Gauge In Tank	63-7	1	15.00
05-54	Fuel Line Loom (front to rear line)	63-7	1	5.50
	> N03 = 36.5 gallon gas tank option <			
05-51A	N03 Tank Cover Bolts (24 ELH +6)	63-7	1 SET	30.00 Set
05-51B	N03 Fuel Filler Neck To Housing Screws (5)	63-7	1 SET	5.00 Set
05-52	N03 Tank Cover Nut Plates & Rivets (8+16 Pc)	63-7	1 SET	33.00 Set
05-53	N03 Tank Cover U-nuts (16 Pc)(repl)	63-7	1 SET	<b>12.00</b> Set
05-55	X N03 Fuel Tank Strap Brackets & Hdwre (pr)	63-7	1 pr	DISCONTINUED.
05-56	N03 Strap Bracket Reinforcement Under Floor	63-7	1	75.00



## Section #06 Front License Mounting ● Front & Rear Bumpers: Brackets & Hardware

Sec- Part#	Name	Year	#Need/Car	Price	Inc
<b>06-01</b>	Front Bumpers -- PAIR ONLY USA Repro x no more	63-7	1 pr	\$	n/a
<b>06-02</b>	<b>Center License Bar</b>	63-7	1	45.00	
06-02B	Bolts For License Bar (in Set 6-16c) (M Hdmk)	63-7	1 SET	5.00	Set
06-03A	License blk Bracket (correct Size Holes:5/16")	63-5	1	17.00	
06-03B	License blk Bracket (correct Size Holes:3/8")	66-7	1	17.00	
06-03C	License Bracket (427+Auto+AC)	66-7	1	55.00	
06-03D	Bolts (for AC License Bracket #06-03C)	66-7	1 SET	4.75	Set
06-03E	Bolt Set For License Bracket To License Bar	63-7	1	2.00	Set
<b>06-04C</b>	<b>Front License Screws,Nuts,Bumper Set(5 Pc)</b>	63-5	1 SET	4.00	Set
<b>06-04D</b>	<b>Front License Screws,Nuts,Bumper Set (5 Pc)</b>	66-7	1 SET	4.00	Set
06-07A	Front Bumper Lower Brace LH	63-7	1	75.00	
06-07B	Front Bumper Lower Brace RH	63-7	1	75.00	
06-08A	Front Bumper Center Brace LH	64	1	45.00	
06-08B	Front Bumper Center Brace RH	64	1	45.00	
06-08C	Front Bumper Center Brace LH	65-7	1	45.00	
06-08D	Front Bumper Center Brace RH	65-7	1	45.00	
06-08E	Front Bumper Center Brace LH (Thick)	63	1	48.00	
06-08F	Front Bumper Center Brace RH (thick)	63	1	48.00	
06-09A	Front Bumper Outer Brace LH	64-7	1	26.00	
06-09B	Front Bumper Outer Brace RH	64-7	1	26.00	
06-09C	Front Bumper Outer Brace Lh (thick)	63	1	35.00	
06-09D	Front Bumper Outer Brace RH (thick)	63	1	35.00	
<b>06-10</b>	Rear Bumpers - Pair only (0% ) USA Repro. No more.	63-7	1 pr	\$	n/a
06-11A	Rear Bumper Outer Brace LH	64-7	1	24.00	
06-11B	Rear Bumper Outer Brace RH	64-7	1	24.00	
06-11C	Rear Bumper Outer Brace Lh (thick)	63	1	30.00	
06-11D	Rear Bumper Outer Brace RH (thick)	63	1	30.00	
06-12A	Rear Bumper Brace LH	64-7	1	24.00	
06-12B	Rear Bumper Brace RH	64-7	1	24.00	
06-12C	Rear Bumper Brace Lh (63 thick)	63	1	30.00	
06-12D	Rear Bumper Brace RH (63 Thick)	63	1	30.00	
06-13A	Rear Bumper Center Brace LH	64-7	1	25.00	
06-13B	Rear Bumper Center Brace RH	64-7	1	25.00	
06-13C	Rear Bumper Center Brace LH (thick)	63	1	30.00	
06-13D	Rear Bumper Center Brace RH (thick)	63	1	30.00	
06-14	Rear Bumper Brace Rod (1)	63-7	2	10.00	Each
06-15	Rear Bumper Shim (1/16" Thick) (1)	63-7	-	3.00	Each

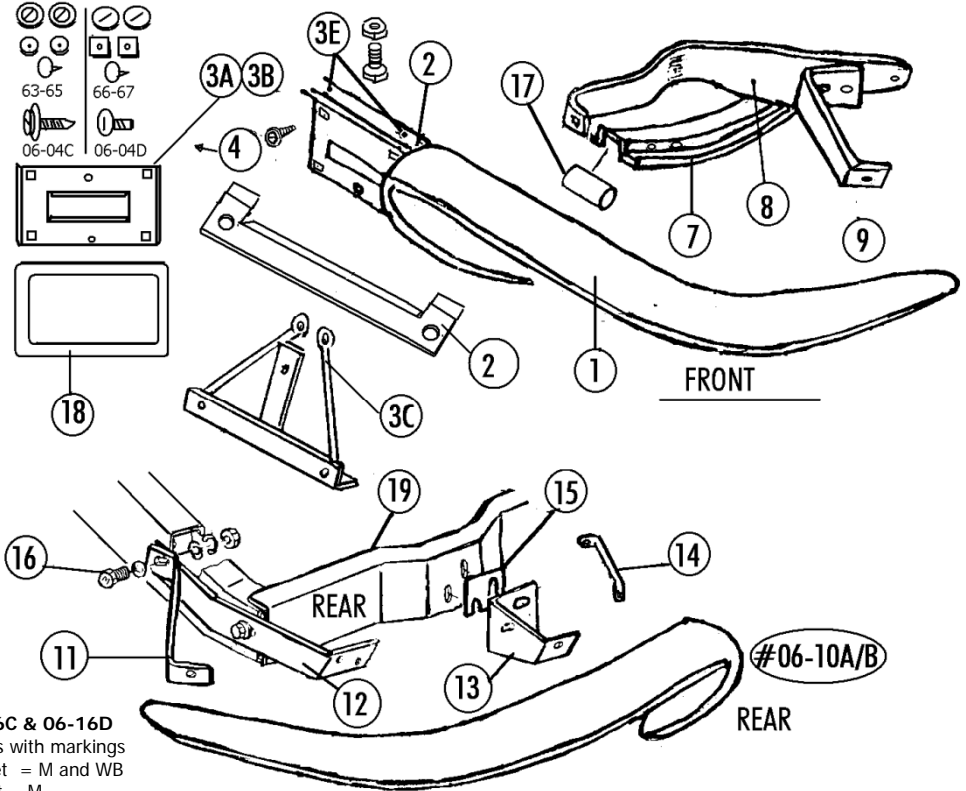
### BUMPER Bolt Set Includes: All Bolts, Nuts, & Washers To Mount Bumpers & Brackets

includes correct nut sizes/colors 63-67E 5/8wrench nut zinc., 67L Jan on 11/16 wrench nut black

<b>06-16C</b>	<b>Front Bumper Bolt,nut Washer Set With M,WB Hdmk</b>	63-7	1	\$ 40.00	Set
<b>06-16D</b>	<b>Rear Bumper Bolt,nut,washer Set With M Headmark</b>	63-7	1	40.00	Set
06-17	Front Bumper Bolt Spacers (4 Pc)	63-7	1 SET	10.00	Set
06-18	License Frame S.S. (Orig Shape) (not magnetic)	63-7	1	20.00	
06-19	x Rear Frame Cross member - no more	63-7	1		not avail.
06-21	Bolts,lw,nuts only (for #7 lower brace)in 6-16c	63-7	1	12.00	Set

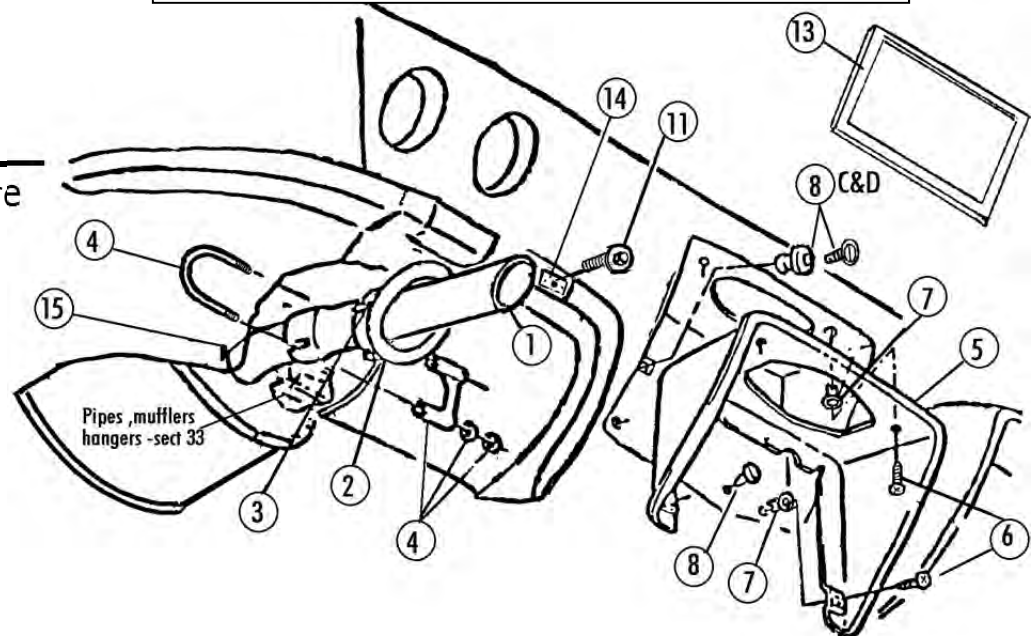
## Section # 07 Rear License Area: Tail Pipe Bezels, Lic Hdwre

<b>07-01</b>	<b>Tail Pipe Extensions (pr)magnetic With Seam(no#)</b>	63-7	1 PR	59.00	Pair
07-02A	Tail Pipe Bezels (pr)(s.s.)	63	1 PR	135.00	Pair
<b>07-02C</b>	<b>Tail Pipe Bezels (pr) (S.S.)</b>	64-5	1 PR	140.00	Pair
<b>07-02EF</b>	<b>Tail Pipe Bezels 66-67 PAIR</b>	66-67	1 PR	125.00	pair
07-03A	Tail Pipe Bezel Screws And U-nuts (6 Pr)	63-5	1 SET	5.50	Set
07-03B	Nuts (6) For Tail Pipe Bezel	66-7	1 SET	2.50	Set
07-04A	Tail Pipe Extension Clamp Set 2" (but 3/8"nuts)(pr)	63-7	1 PR	12.00	Pair
07-05	<b>License Bezel (USA)</b>	63-7	1	99.00	
07-06	Screws (4 Pc) (for rr license bezel)	63-7	1 SET	2.00	Set
07-07	Plastic Nuts (4 Pc) (for RR License Bezel)	63-7	1 SET	2.00	Set
<b>07-08C</b>	<b>Rear License Screw,Nut &amp; Bumper Set (5 Pc)</b>	63-5	1 SET	4.00	Set
<b>07-08D</b>	<b>Rear License Screw,Nut &amp; Bumper Set (5 Pc)</b>	66-7	1 SET	4.00	Set
07-11	Rear Panel Bolts (ELH Headmark) (8 Pc)	63-7	1 SET	9.50	Set
07-13	License Frame S.S. (Orig Shape) (not Magnetic)	63-7	1	20.00	
07-14	Rear Exhaust Panel Nut Plate & Rivet Set (8+16)	63-7	1 SET	33.00	Set
07-15	Rear Exhaust Panel End Bolts & Nuts (2+2)(repl)	63-7	1 SET	2.75	Set



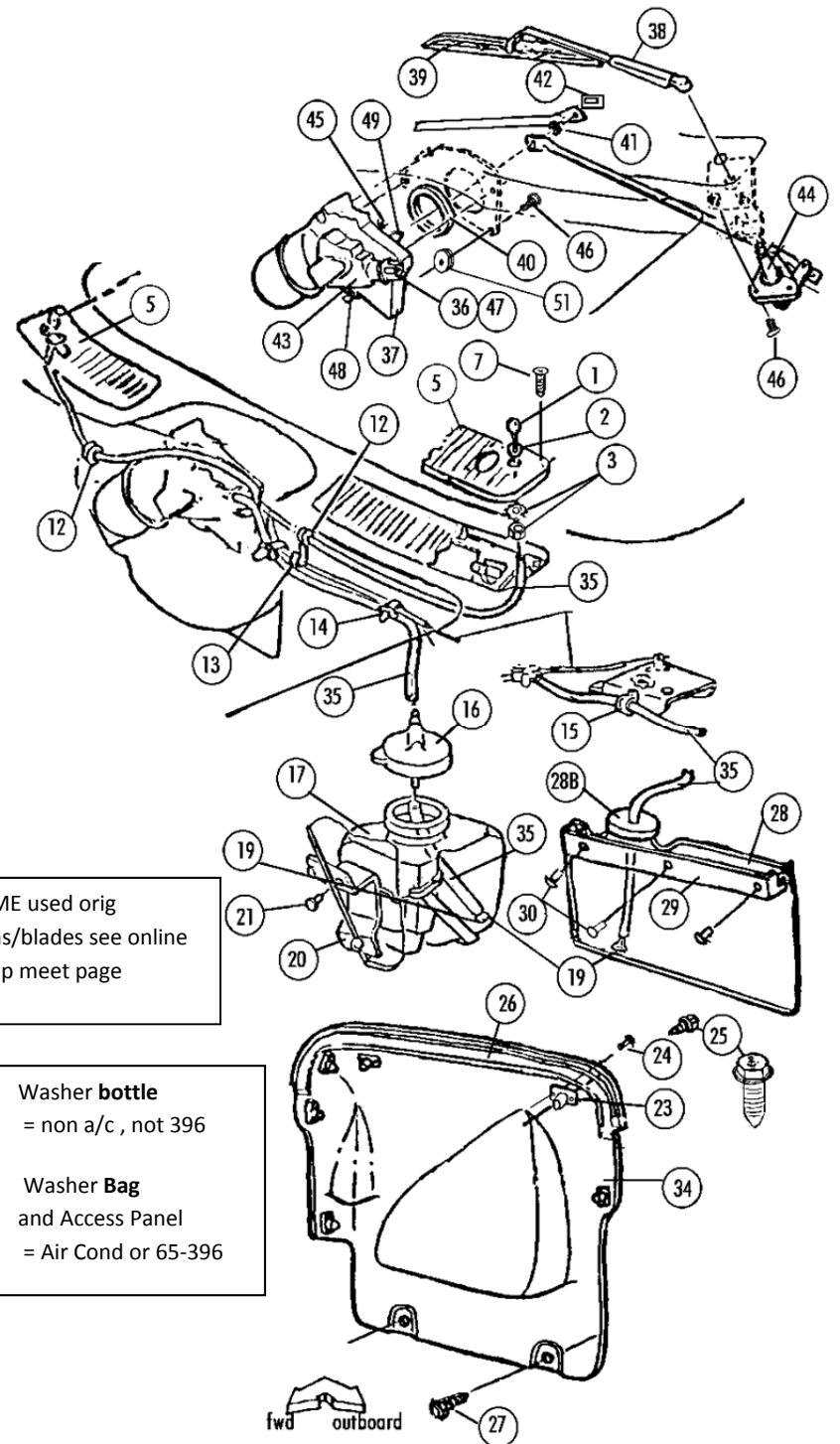
(shims and spacers sold separately)

## Section 07 Rear License Area, Exh Bezels



## Section #08 Windshield Washer & Wiper ● A/C & 396 Battery Access Panel

Sec-Part#	Name	Year	#Need/Car	Price	Inc
08-01	Washer Nozzle Set (replacement /fixed spray) (with nut lw)	63-7	1 SET	\$ 25.00	Set
08-01A	<b>Washer Nozzle Set</b> (adjustable/orig Style)(with nut, lw)	63-7	1 SET	68.00	set
08-02	Washer Nozzle Rubber Washers (1 Pr)	63-7	1 PR	1.75	Pair
08-03	Washer Nozzle Nuts & Lock Washers (2 Ea)	63-7	1 SET	1.00	Set
08-05	X Windshield Washer Metal Grills (new, repro )PAIR (L+R)	63-7	1 PR	x	discount.
08-05U	<b>used Windshield Washer Metal Grills</b> 1 pair – see online shopping for \$ ...				
08-07	Screws & U-nuts (8 Pr) For Washer Grill	63-7	1 SET	5.50	Set
08-12	<b>Washer Hose Grommets</b> (1 Pr)	63-7	1 PR	1.75	Pair
08-13	Wire J-clip (1)	63-7	1-15	2.50	Each
08-14	> Wire Straps (see Sect 24-26) >> see section 24 for strap sets & 37 for Jclip sets.				
08-15	Washer Hose Clip (hose To Catch)(after 1/66)	66L-7	1	3.00	
08-16	Washer Bottle Cap (correct no writing)	63-7	1	5.00	
08-17	Washer Bottle	63-7	1	14.00	
08-19A	Washer Filter (replacement)	63-7	1	4.75	
08-19B	Filter With Brass Screen (like Original)	63-7	1	15.00	
08-20	<b>Washer Bracket- Non Air Cond</b>	63-7	1	25.00	
08-21	Washer Bracket Rivets (3 Pc)	63-7	1 SET	0.75	Set
08-31▶	T-nut,rivet,bolt Set (23 & 25) (A/C OR 396 panel hardware)	63-7	1	22.00	Set
08-23	Panel T-nuts & Rivets (6 & 12) For Access Panel A/C or 396	63-7	1 SET	15.00	Set
08-24	Rivets (12 Pc) For T-nut onAccess Panel(A/C,396)	63-7	1 SET	3.00	Set
08-25	Access Panel Bolts (6)(Anchor Hdmk)(A/C,396)	63-7	1 SET	12.00	Set
08-26	Weatherstrip For Access Panel A/C,396	63-7	1	3.25	
08-27	Lower Mounting Bolts (2) For Access Panel	63-7	1 PR	2.00	Pair
08-28A	<b>Washer Bag And Cap</b> (Air Cond & 396)	63-6	1	63.00	
08-28B	Washer Cap Only (for Air Cond Bag)	63-7	1	5.75	
08-28C	Washer Bag And Cap (Air Cond Cars)	67	1	63.00	
08-29	Bracket With Rivets, FOR A/C washer bag	63-7	1	12.00	
08-30	Rivets For Air Cond Washer Bracket (3 Pc)	63-7	1 SET	0.75	Set
08-31▶	T-nut,rivet,bolt Set (23 & 25) (A/C OR 396 panel hardware)	63-7	1	27.00	Set
08-34	<b>A/C,396 Battery Access Panel &amp; Hardware</b>	63-7	1	\$ 169.00	Set
08-35A	<b>Washer Hose Set- Non Air Cond (4 Pc) (ribbed)</b>	63-7	1 SET	16.00	Set
08-35B	<b>Washer Hose Set- Air Cond Or 396 (3 Pc)(ribbed)</b>	63-7	1 SET	16.00	Set
08-36A	<b>Washer Repair Kit</b> (exterior)(replacement Color blk/white)	63-7	1	9.00	
08-36B	<b>Washer Repair Kit (exterior)(ALL WHITE= original color)</b>	63-7	1	18.00	
08-47	X Washer Pump Internal Repair Kit (diaphragm) NO MORE.	63-7	1		N/A
08-37/43	X Wiper Motor (motor & Pump) - no	63-7	1		N/A
08-38AR	63-65 Wiper Arms (shiny) (pr) (REPLACEMENT (diff shape)		1 PR	\$ 75.00	PR
08-39A	63-65 wiper blades w rubber (pr) replacement shape shiny		1 pr	\$45.00	
08-38B	x 66-67 Wiper Arms (dull)(Trico With Side Screw)(pr) x	66-7	1 PR		N/A
08-38E >	<b>Windshield Wiper Arm</b> (pr)(Dull SS Replacement)	63-7	1 PR	75.00	Pair
	(replacement /Rivet, not side screw) 66-67 shape/dull will fit all 63-67)				
08-39B	Wiper Blades (66-67 Dull SS) (pr) (no ribs) replacement.	66-7	1 PR	65.00	Pair
	Tech tip:63-65 = polished blades, blade rubber with nibs; 66-67 = Dull blade rubber with Ribs				
08-39C	63-65 Wiper Blade <b>Rubber Inserts with Dots</b> (15"SS) PR	63-5	1 PR	44.00	Pair
08-39E	66-67 Wiper Blade <b>Rubber Inserts With Ribs</b> (15" S.S.)(PR)	66-7	1 PR	44.00	pair
08-40	<b>Wiper Motor Gasket</b>	63-7	1	3.00	
08-41	Wiper Push Rod Rubber Spacer	63-7	1	3.00	
08-42	Wiper Push Rod Retainer	63-7	1	3.25	
08-43C	Fiber Cover For W/w Pump Plug Area	63-7	1	4.00	
08-44	<b>Wiper Arm Post Black Covers</b> (pr)	66-7	1 PR	11.00	Pair
08-45	<b>Rubber Seal</b> for Wiper Motor rear drive/transmission	63-7	1	8.00	
08-46	Wiper Motor & Pivot Arm Mounting Bolts(10 Pc)	63-7	1 SET	5.00	Set
08-48	Ground Terminal On Wiper Motor	63-7	1	3.00	
08-49	Wiper Motor Rear Crank Lever	63-7	1	20.00	
08-50	Wiper Motor Lever Retainer Flangenut	63-7	1	0.75	
08-51	<b>Mounting Grommets</b> For Wiper Motor (4)	63-7	1 SET	29.00	Set



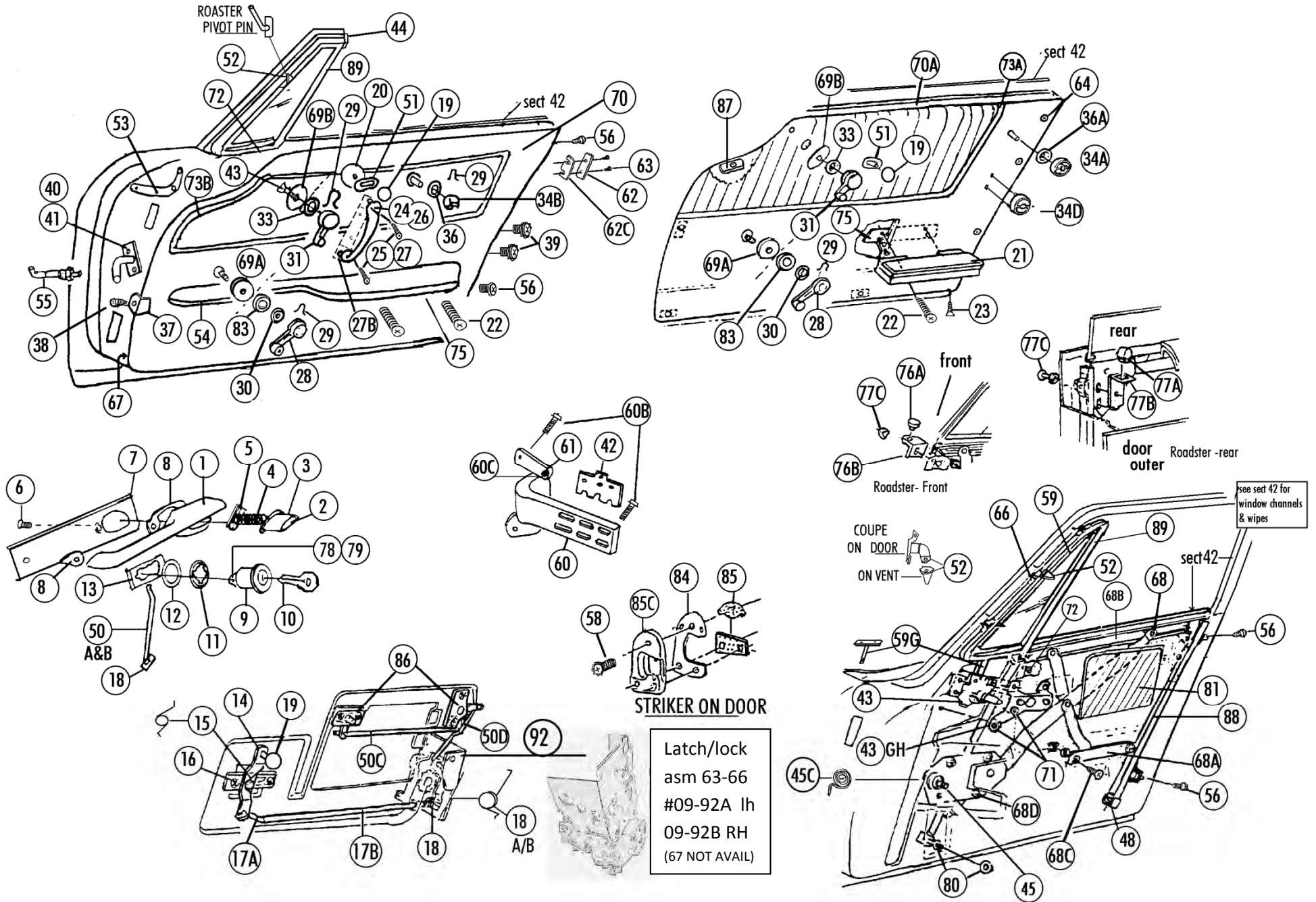
SOME used orig arms/blades see online swap meet page

Washer bottle = non a/c , not 396  
Washer Bag and Access Panel = Air Cond or 65-396

fwd outboard



Section # 09 Doors: Hardware, Door Panels, Window Cranks, Regulators, Locks, Keys, Internal Door & Window Parts Door Locks



#need column = # needed per Car // equals Quantity needed – not what is included order 2 for 2 (ie window handle= need 2 – sold each)

Section # 09 Doors: Hardware, Door Panels, Window Cranks, Regulators, Locks, Keys, Internal Door & Window Parts Door Locks

Part#	Name	Year	#NEED/car	PRICE
	(Early 64=through March 64, Raised Pad On Door)			
09-01E	<b>Door Handle Assembly</b> (2 Handles,buttons,gaskets) ___	63-4E	1 SET	\$ 90.00 Set
09-01F	<b>Door Handle Assembly</b> (2 Handles,buttons,gaskets) ___	64L-7	1 SET	\$ 90.00 Set
09-02	Push Button Kit (includes 2 Each:#2,3,4,5)___	63-7	1 SET	28.00
09-03	Rubber Bumpers for push button (2)___	63-7	1 PR	2.00 Pair
09-04	Push Button Springs (2)___	63-7	1 PR	6.00 Pair
09-05	X Retainers for push button (1) x (come in #09-02) ___	63-7	2	n/a
09-06	Door Handle Bolt + slw (4 ea) (repl, no mark)___	64-7	1 SET	3.00 Set
09-07A	Handle <b>Mounting Plates</b> (with Pads On Door)(pr)___	63-4E	1 PR	15.00 Pair
09-07B	Handle Mounting Plates(without Pads On Door)(pr)___	64L-7	1 PR	15.00 Pair
09-08A	Gasket Set (for 2 Door Handles)___	63-4	1 SET	4.00 Set
09-08B	Gasket Set (for 2 Door Handles)___	64-7	1 SET	4.00 Set
09-09A	63-66 <b>Door Locks</b> (1 Pair Keyed Alike)___	63-6	1 PR	\$ 50.00 Pair
09-09B	67 Door Locks (1 Pair Keyed Alike)___	67	1 PR	50.00 Pair
09-09AM	63 Lock Set- 5 Pc Keyed Alike (Ign,2 Doors,GB,Tire)___	63	1 SET	165.00 Set
09-09C3	63 Lock set 4 PC (Ign,2Door,GB) (keyed)___	63	1	95.00 set
09-09C4	64 Lock set 4pc (2 door, GB, Ign (keyed))___	64	1	95.00
09-09CM	64 Lock Set- 5 Pc Keyed Alike (Ign,2 Doors,GB,Tire)___	64	1 SET	155.00 Set
09-09D	65 Lock Set- 3 Pc Keyed Alike (1 Ign, 2 Doors)___	65	1 SET	85.00 Set
09-09E	66 Lock Set- 3 Pc Keyed Alike (1 Ign,2 Doors)___	66	1 SET	85.00 Set
09-09K	67 Lock Set- 3 Pc Keyed Alike (1 Ign,2 Doors)___	67	1 SET	85.00 Set
	(see 11-14BM or CM For Matching Gb & Tire Locks)___	65-7		
09-10A	<b>Key- Hex</b> (Ign+Door 63-6)(63-4 GB+Tire) (1)___	63-6	2	5.00 Each
09-10B	<b>Key- Round</b> (GB+Tire 65-6) (1)___	65-6	2	5.00 Each
09-10C	x 'A' Hex Key (Ign+Door 67)(1) see 10cr___	67	2	x no more
09-10CR	'A' Hex Key (Ign+Door 67)(1) Replacement/repl imprint___	67	2	4.00 Each
09-10D	'B' Round Key (GB+Tire 67)(1) (with slugs)___	67	2	10.00 Each
09-11	<b>Lock Escutcheon (bezel)</b> (1)___	63-7	2	7.50 Each
09-12	Lock Gasket Set (for 2 Locks) (not Orig Equip)___	63-7	1 SET	2.00 Set
09-13A	Door Lock Retainer Clips (2)___	63-6	1 PR	20.00 Pair
09-13B	Door Lock Retainer Clips (2)___	67	1 PR	5.00 Pair
09-14A	<b>Door Pull Mechanism LH</b> (with Spring)(USA)___	63-7	1	17.50
09-14B	<b>Door Pull Mechanism RH</b> (with Spring)(USA)___	63-7	1	17.50
09-15A	Mechanism Spring LH___	63-7	1	2.50
09-15B	Mechanism Spring RH___	63-7	1	2.50
09-16	Door Mechanism Screws (4 Pc)___	63-7	1 SET	3.00 Set
09-17A	<b>Door Pull Rod (1)</b> ___	63-7	2	11.00 Each
09-17B	Door Pull Rod <b>Cloth Sleeves</b> (pr)___	63-7	1 PR	5.00 Pair
09-18	Rod Retainers (2)___	63-7	2 PR	1.50 Pair
09-18A	Door Lock Mechanism Large Spring (LH)___	63-7	1	5.00
09-18B	Door Lock Mechanism Large Spring (RH)___	63-7	1	5.00
09-19A	<b>Black Door Opening Knobs</b> (pr)___	63	1 PR	9.00 Pair
09-19B	Chrome Opening Balls(pr)(plastic Core=correct)___	64-7	1 PR	15.00 Pair
09-19C	Chrome Opening Balls (solid Metal=repl) Pr___	64-7	1 PR	28.00 Pair
09-20	Door Open Mechanism Shield (1 Pr)___	64-7	1 PR	5.00 Pair
09-21A	<b>Armrest Complete</b> (give Pad Color) (1)___	63-4	2	79.00 Each
09-21C	Armrest Chrome Base Only (1)___	63-4	2	20.00 Each
09-21D	Armrest Pad Cover Material (2 Pc)(specify Color)___	63-4	1 PR	15.00 Pair
09-22A	Armrest Screws (4 Pc)___	63-4	1 SET	5.00 Set
09-22B	Armrest Screws & Washers (4 Each) B=C___	65-7	1 SET	4.50 Set
09-22C	Armrest Screws & Washers (4 Each) B=C___	65-7	1 SET	4.50 Set
09-23	Arm Rest <b>Pad Screws</b> (set Of 4)___	63-4	1 SET	2.00 Set
09-75A	Nut Plate & Rivets For Arm Rest Screws___	63-4	2	7.00 Each
09-75B	Nut Plate & Rivets For Arm Rest Screws___	65-7	2	7.00 Each
09-24	1965 <b>Door Pull</b> (1 Pair) (state color)___	65	1 PR	24.00 Pair
09-25	Door Pull Screws (black)(4 Pc)___	65	1 SET	3.00 Set
09-26C	x 66-67 Door Pulls (pair) (chrome)x 66-7___	1 PR	DISCONTINUED	X
09-27A	Door Pull Screws (Chrome)(4 Pc)___	66-7	1 SET	3.00 Set
09-27B	Door Pull Reinforcements & Rivets (2+4)___	66-7	1 SET	20.00 Set
09-27C	1965 Door Pull T-nuts & Rivets (4+8)___	65	1 SET	10.00 Set



Part#	Name	Year	#NEED/car	PRICE
09-28A	<b>Window Crank Handle</b> With Chrome Knob (1)___	63-4	2	\$ 15.00 Each
09-28B	Window Crank Handle With Chrome Knob (1)___	65-6	2	15.00 Each
09-28C	<b>Window Crank Handles, 67 Black Knob</b> *PAIR*___	67	1 PR	60.00 <b>PAIR</b>
09-28D	Window Crank Handle, 67 Red Knob (PAIR)___	67	1 PR	60.00 <b>PAIR</b>
09-28E	Window Crank Handle, 67 Bright Blue Knob*1 PAIR*___	67	1 PR	60.00 <b>PAIR</b>
09-28F	Window Crank Handles, 67 Saddle Knob **PAIR**___	67	1 PR	60.00 <b>PAIR</b>
09-28G	Window Crank Handle, 67 Green Knob *PAIR*___	67	1 PR	X
09-28H	Window Crank Handle- 67 Thin Teal Knob *1 PAIR *___	67	1 PR	60.00 <b>PAIR</b>
09-28J	Window Crank Handle- 67 Thin White Knob * PAIR *___	67	1 pr	60.00 <b>PAIR</b>
09-29	<b>Retainer</b> -cranks & Lock Knobs (6 Pc)___	63-7	1 SET	2.75 Set
09-29T	Window Crank Clip Removal Tool___		1	6.00
<b>09-30</b>	<b>Plastic Bushing</b> (1 Pr) (gray) (for Window Crank)___	63-7	1 PR	3.75 Pair
09-31A	<b>63-64 Vent Window Crank Handle</b> (1) chrome___	63-4	2	18.00 Each
09-31B	65-66 Vent Window Crank Handle (1) chrome___	65-6	2	18.00 Each
09-31C	Vent Window Crank Handle, 67 Black Knob (pair)___	67	1	60.00 <b>PAIR</b>
09-31D	Vent Window Crank Handle, 67 Red Knob (pair)___	67	1 PR	60.00 <b>PAIR</b>
09-31E	Vent Window Crank Handle,67 Bright Blue (pair)___	67	1 PR	60.00 <b>PAIR</b>
09-31F	Vent Window Crank Handle, 67 Saddle Knob (pair)___	67	1 PR	60.00 <b>PAIR</b>
09-31G	Vent Window Crank Handle, 67 Green Knob (pair)___	67	1 PR	60.00 <b>PAIR</b>
09-31H	Vent Window Crank Handle, 67 Teal Knob (pair)___	67	1 PR	60.00 <b>PAIR</b>
09-31J	Vent Window Crank Handle White Knob (pair)___	67	1 PR	60.00 <b>PAIR</b>
<b>09-33</b>	<b>Plastic Bushings</b> (1 Pr) (gray)(for Vent Crank)___	63-7	1 PR	3.75 Pair
09-34A	Lock Knob With Retainer (1) (63-64)___	63-4	2	30.00 Each
09-34B	Lock Knob With Retainer (65-66)(1)___	65-6	2	16.00 Each
09-34C	Lock Knob With Retainer (1967)(1)___	67	2	32.00 Each
09-34D	Door Reflector___	63-4	2	25.00 Each
09-34E	Door Reflector Red Plastic Lenses Only (8 Pc)___	63-4	1 SET	18.00 Set
09-36A	Plastic Bushing (63-64 Lock)(1 Pr) (gray)___	63-4	1 PR	3.75 Pair
09-36B	Plastic Bushings (65-7Lock Knob)(1 Pr) (clear)___	65-7	1 PR	3.75 Pair
09-37A	Door Panel Clip (1)___	65-7	10	4.00 Each
09-37B	Door Panel <b>Clip Set</b> (10 Pc)___	65-7	1 SET	39.00 Set
09-38	Panel Clip <b>Screws</b> (10 Pc)___	65-7	1 SET	2.50 Set
09-39	Door Latch Screws (8 Pc)___	63-7	1 SET	8.50 Set
<b>09-42</b>	<b>Door Hinge Shim</b> (1/16 Thick) (1)___	63-7	-	2.75 Each
09-40	Power Window Conduits (pairs Only)___	63-7	1	90.00 Pair
09-41	P/W Conduit Bolts & Nuts (4 Ea)___	63-7	1 SET	2.25 Set
09-43A	<b>X Vent Window Regulator-</b> Coupe(LH)(63-4)___	63-4	1	N/A
09-43B	Vent Window Regulator- Coupe(RH)(63-4)___	63-4	1	160.00
09-43C	Vent Regulator- 63-4 Rdstr,65-7 Coupe(LH)___	63-7	1	160.00
09-43D	Vent Regulator- 63-4 Rdstr,65-7 Coupe(RH)___	63-7	1	160.00
09-43E	X Vent Window Regulator- Roadster(LH)(65-7)___	65-7	1	N/A
09-43F	Vent Window Regulator- Roadster(RH)(65-7)___	65-7	1	160.00
09-43G	Coupe Vent Regulator BRACKET (LH)___	63-7	1	14.00
09-43H	Coupe Vent Regulator BRACKET (RH)___	63-7	1	14.00
09-44A	<b>Roadster Vent Window Upper Rubber STOP</b> (1)___	63-7	2	7.00 Each
09-44B	Screws For Vent Stops (2)___	63-7	1 PR	1.50 Pair
09-45A	Window Regulator Arc Gear- Non PW___	63-7	2	30.00 Each
09-45B	Window Regulator Arc Gear- Power Windows___	63-7	2	30.00 Each
09-45C	Window Mechanism Coil Spring (Std & PW)___	63-7	2	25.00 Each
09-46	Coupe Over Door Weatherstrip (see 42-04E)___			
09-47A	Coupe Overdoor Weatherstrip SCREW set)(14 Pc)___	63	1 SET	11.00 Set
09-47B	Coupe Overdoor Weatherstrip SCREW set)(14 Pc)___	64-7	1 SET	11.00 Set
09-48	Lower Window Channel Bumper___	63L-7	2	1.00 Each
09-49	Outside Door Wipe Rubber (see 42-30) see section 42 for all Rubber			
09-50A	<b>Door Lock Rod-</b> Outside Lock (LH)___	63-7	1	7.00
09-50B	Door Lock Rod- Outside Lock (RH)___	63-7	1	7.00
09-50C	Inside Horizontal Door Lock Rod___	67	2	10.00 Each
09-50D	Inside Vertical Door Lock Rod (knob To Mech)___	63-7	2	7.00 Each
09-51A	Oval Bezel (s.s.) (pr) (for door opening knobs)___	63-4	1 PR	20.00 Pair
09-51B	Oval Bezel (s.s.) (pr) (for door opening knobs)___	65-7	1 PR	20.00 Pair



Section #09 Doors: Hardware, Door Panels, Window Cranks, Regulators, Locks Keys, Internal Door & Window Parts, Door Locks

Part#	Name	Year	#NEED/car	PRICE
09-52A	Vent Window Pivot RIVET (coupe) (1)	63-7	2	1.50 Each
09-52B/C	x Coupe Vent Hinge (on Door) NO MORE	63-7	1	n/a
09-52D	Coupe Vent Hinge LH (on Vent) (weld On)	63-7	1	7.00
09-52E	Coupe Vent Hinge RH (on Vent) (weld On)	63-7	1	7.00
09-52F	Roadster Vent Window Upper Pivot Pin (LH)(s.s.)	63-7	1	34.00
09-52G	Roadster Vent Window Upper Pivot Pin (RH)(s.s.)	63-7	1	34.00
09-53A	Dogleg W/S Retainer (plastic)(8 Pc)	63-6	1 SET	4.50 Set
09-53B	Dogleg W/S Retainer (metal)(8 Pc)	67	1 SET	13.50 Set
09-54	65-67 Door Arm Rest Trim (s.s.) (1) x	65-7	2	n/a
09-55	Door Courtesy Light Switch (correct MB Stamp)	63L-7	2	12.00 Each
09-55A	Door Courtesy Light Switch (before 4/4/63)	63E	2	8.00 Eacl
09-55C	Terminal For Door Light Switch (2)	63-7	1 PR	1.50 Pair
09-56	Window Channel Screw & Washer Set (4)	63-7	1 SET	3.75 Set
09-57	X Power Window Motor Plugs (2) +terminals(4)	63-7	1 PR	N/A
09-58	Door Striker Plate Screws (6 Pc)	63-7	1 SET	9.00 Set
09-59A	Coupe Vent Window Assembly (ck online /our site)	63-7	1	N/A
09-59C-F	Vent Window Frames X no more.			N/A
09-59GL	Vent Frame "T"(coupe) LH (with Rivets)	63-7	1	18.00
09-59GR	Vent Frame "T"(Coupe) RH (with Rivets)	63-7	1	18.00
09-59HL	Vent Frame "T"(roadster) LH (with Rivets)	63-7	1	18.00
09-59HR	Vent Frame "T"(Roadster) RH (with Rivets)	63-7	1	18.00
09-59Q	Rivets (4) For Coupe Vent Hinge To Door(09-52B/C)	63-7	1	0.50
09-59R	Rivets For Vent T To Frame (4) (for 09-59G&H)	63-7	1 SET	0.50 Set
09-60A	Door Hinge (used) LH/RH same (used/as is)	63-7	4/car	\$ 75.00 each
09-60B	Door Hinge Screw Set (40 pc set (3 sizes))	63-7	1 SET	49.00 Set
09-60C	Door Hinge Strikers (1 Pr) & Rivets	63-7	4 PR	17.00 Pair
09-61	Hinge Pin And Bushing Kit (1 Kit =4 Hinges)	63-7	1 SET	18.00 Set
09-62A	Plastic Door Wedge On Jamb (roadster Only)(pr)	63-7	1 PR	19.00 Pair
09-62B	Metal Door Wedge On Door (roadster Only)(pr)	63-7	1 PR	19.00 Pair
09-62C	Shim For Metal Wedge On Door (roadster)	63-7	-	3.00 Each
09-63	Wedge Screws (8 Pc)	63-7	1 SET	5.00 Set
09-64A	Door Panel Screw Set (2 Door)(20 Pc)	63-4	1 SET	7.50 Set
09-64B	Door Panel Washers (set Of 20)	63-4	1 SET	5.00 Set
09-65	Door Panel Screw & Washer Set (2 Door Set)	67	1 PR	1.25 Pair
09-66	Coupe Vent Window Trim Screws (set Of 12)	63-7	1 SET	3.00 Set
	& 63, Goes Through SS Door Trim To Vent Window			
09-67A	Door Vapor Barriers (pr) brown Paper/black back	63-6	1 PR	30.00 Pair
09-67B	Door Vapor Barriers (pr) plastic	67	1 PR	25.00 Pair
09-68	Window Rollers And Rivets (6+6 = 1 Car Set)	63-7	1 SET	20.00 Set
09-68A	Lower Window Regulator Roller Track (short)	63-7	2	18.00 Each
09-68B	Upper Window Regulator Roller Track (long)	63-7	2	22.00 Each
09-68C	Window Roller Track Fastener Set	63-7	1 SET	3.75 Set
09-68D	Window Mechanism To Door Screw Set (8 Pc Set)	63-7	1 SET	6.00 Set
09-69A	Foam Seal For Window Crank (behind Panel)(pr)	63-7	1 PR	4.00 Pair
09-69B	Foam Seal For Vent Crank (behind Panel)(pr)	63-7	1 PR	4.00 Pair
<b>Door Panels – Give – Color, Year, Coupe or roadster – (enter on checkout screen)(no discounts)</b>				
09-70A	63-64 Door Panels (pr) (with Trim Installed)	63-4	1 PR	\$ 775.00 Pair
	Includes Upper Wipe, L Trim & Door Pull Bezels ,Reflectors, Lock Knobs.			
09-70B	65-66 Door Panels (with Trim Installed) (pr)	65-6	1 PR	\$ 999.00 Pair
	Includes Upper Wipe,racetrack Trim, Armrest Trim, Door Pull Bezels, (no Knobs, No Cranks)			
09-70C	1967 Door Panels (with Trim Installed)(pr)	67	1 PR	999.00 Pair
	Includes Upper Wipe,racetrack Trim, Armrest Trim,Door Pull Bezels (no Knobs, No Cranks)			
09-70D	63-64 Door Panels (with Upper Whisker Trim Only)(pr)	63-4	1 PR	\$ 440.00 Pair
09-70E	65-66 Door Panels (with Upper Whisker Trim Only)(pr)	65-6	1 PR	\$ 700.00 Pair
09-70F	1967 Door Panels (with Upper Whisker Trim Only)(pr)	67	1 PR	\$ 700.00 Pair

> All door panels – drop ship direct – made to order 2021>6-8 ! weeks. Already discounted.

Door Panels made to order 6-8 weeks ! 6-2021 minimum.



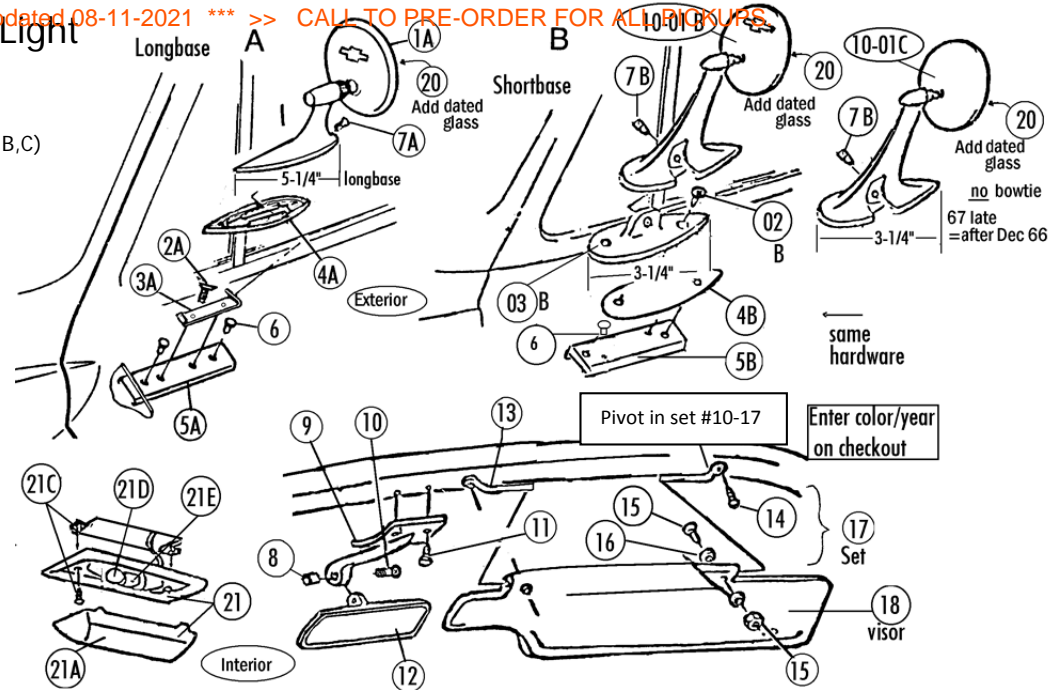
09-71A	Vent Regulator Mounting Screw & LW- Coupe (6 Ea)	63-7	1 SET	4.50 Set
09-71B	Vent Regulator Mounting Screws- Roadster (6 Pc)	63-7	1 SET	4.50 Set
09-71C	Coupe Vent Regulator Bracket To Door Bolts(6)	63-7	1 SET	4.50 Set
09-71D	Bolt- Vent Window Rod To Vent Crank Mech (2)	63-7	1 SET	4.00 Set
09-72A	Screw & Washer Set- Coupe Vent Window To Door	63-7	1 SET	1.00 Set
09-72B	Screw, washer, stud Set Rdster Vent Window To Door	63-7	1 SET	35.00 Set
09-72C	Stud only (2) for Rdstr Vent Window Upper Mount	63-7	1 PR	13.00 Pair
09-73A	Door Stainless Trim (L Shaped) Pair	63-4	1 PR	250.00 Pair
09-73B	Door "Race Track" Stainless Trim (pr)	65-7	1 PR	195.00 Pair
09-75A	Nut Plate & Rivets For Arm Rest Screws	63-4	2	7.00 Each
09-75B	Nut Plate & Rivets For Arm Rest Screws	65-7	2	7.00 Each
09-76A	Front Rubber Window Stop On Window Support (rds)	63-7	2	1.25 Each
09-76B	Retainer- Front Upper Window Stop Bumper (rdstr)	63-7	2	10.00 Each
09-77A	Rear Rubber Window Stop On Windw Support (rds)1	63-7	2	3.00 Each
09-77B	Retainer- Rear Upper Window Stop Bumper (rdstr)	63-7	2	10.00 Each
09-77C	Screws & Nuts- Window Stop Rdstr) Brackets (set)	63-7	2 SET	3.00 Set
09-78A	Door Lock Pawl (oval hole) (67 or 63-7 repl) (1)	63-7	2	4.00 Each
09-78B	x Door Lock Pawl (round hole With tabs) 63-66 (1)	63-6	2	n/a
09-79A	Door Lock Pawl Retainer (2)	63-7	1 PR	2.25 Pair
09-79B	Lock Pawl Retainer (3 Prong For Round Hole)	63-6	2	2.25 Each
09-80	Vent Window Lower STUD & NUT (2 Ea)	63-7	1 SET	25.00 Set
09-81A	Door Access Cover Plate (front/small)(LH)	63-5	1	19.00
09-81B	Door Access Cover Plate (front/small)(RH)	63-5	1	19.00
09-81C	Door Access Cover Plate (rear/large)(LH)	63-5	1	21.00
09-81D	Door Access Cover Plate (rear/large)(RH)	63-5	1	21.00
09-81E	Screws & U-nuts For Access Panels (12+12 Pc)	63-5	1 SET	6.00 Set
09-83A	Window Crank Spacer (s.s.)	63-4	2	35.00 Each
09-83B	Window Crank Spacer (s.s.)	65-7	2	35.00 Each
09-84A	Door Striker Shim (.06"thin)	63-7	-	8.75 Each
09-84B	Door Striker Shim (.12"thick)	63-7	-	8.75 Each
09-85	Door Striker Anti-skid Plates (4 Pc)	63-7	1 SET	28.00 Set
09-85C	Door Striker (pair) (on Body)	63-7	1 PR	102.00 Pair
09-86A	Remote Locking Control (63-66) (1)	63-6	2	29.00 Each
09-86B	Remote Locking Control (67) (1)	67	2	29.00 Each
09-86C	Remote Locking Control- No Knob Shaft (67)	67	2	29.00 Each
09-86D	Screws (4) For Remote Locking Mechanism	63-7	1-2 S	3.00 Set
09-87A	Door Panel Screw Plates And Rivets (12&24)	63-4	1 SET	24.00 Set
09-87B	Door Panel Screw Nut Plates & Rivets (10&20)	65-7	1 SET	20.00 Set
<b>Rear Window Metal Run &gt; see section 42 for rear flex window channels</b>				
09-88A	X Coupe & Roadster Door Window Rear Metal Run 63 LH	63	1	X N/A
09-88B	X Coupe & Roadster Door Window Rear Metal Run 63RH	63	1	X N/A
09-88C	Coupe Door Window Rear Metal Run (LH)	63L-7	1	55.00
09-88CD	Coupe Door Window Rear Metal Run PAIR LH + RH	63L-7	1	110.00 PAIR
09-88EF	Roadster Door Window Rear Metal Run PAIR LH + RH	64-7	1	110.00 PAIR
09-88G	Felt Liner For Rear Metal Run (pr)(64-7R, 63C&R)=42-29C	63-7		15.00 Pair
09-89A	Vent Window Stainless Steel Trim (LH Inner)	63-7	1	60.00
09-89B	Vent Window Stainless Steel Trim (RH Inner)	63-7	1	60.00
09-89C	Vent Window Stainless Steel Trim (LH Outer)	63-7	1	60.00
09-89D	Vent Window Stainless Steel Trim (RH Outer)	63-7	1	60.00
09-90	x Window Regulator Asm -pair (non PW)	63-7	1 PR\$	we don't sell x
09-91	x Power Window Regulator Asm -pair- PW -	63-7	1 PR	n/a
<b>See section 15 for more Power Window motors, mounting switch etc ...</b>				
09-92	1 pair Door latch/lock assembly -NEW, 1 lh + 1 rh	63-66	1	\$ 240.00
09-92A	Door latch/lock assembly -NEW, Left hand	63-66	1	\$
09-92B	Door latch/lock assembly -NEW, Right Hand/Pass.	63-66	1	

See section 15 for more Power Window motors, mounting, kits etc...

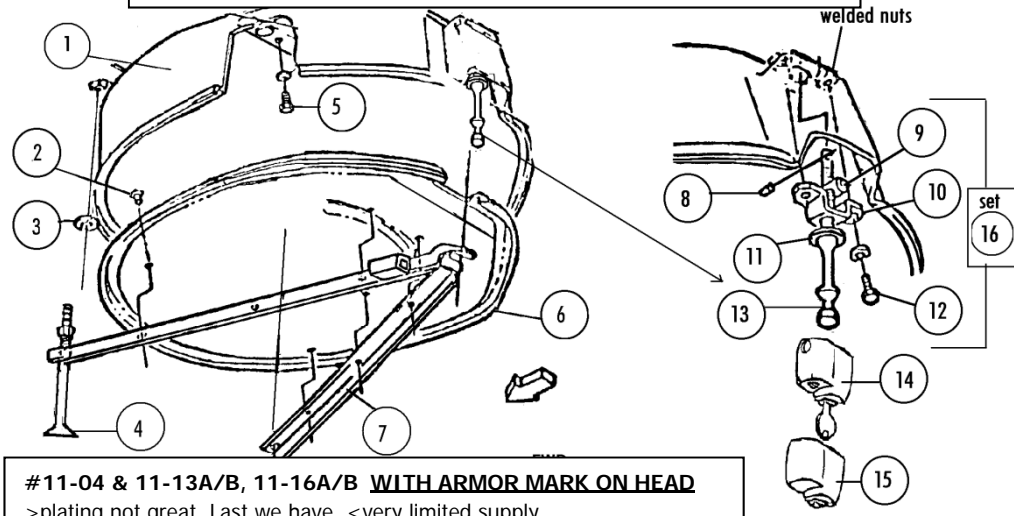
# Section #10 Mirrors -Interior & Sideview, Visors, Dome Light

copyright 2021 licorvette.com 1800-466-6367 2018 - 2021 updated 08-11-2021 \*\*\* >> CALL TO PRE-ORDER FOR ALL DISCOUNTS

Sec-Part#	Name	Year	#	Need/Car	Price Inc
10-01A	Bowtie, <b>Longbase Sideview Mirror</b> (until #11133)	63E	1		\$ 50.00
10-01B	Bowtie, <b>Shortbase Sideview Mirror</b>	63L-7	1		80.00
10-01C	Sideview Mirror-shortbase (no Bowtie)(aft Dec66)	67L	1		80.00
10-20	>Sideview Mirror <b>Glass- Dated</b> (month/year)	63-7	1		15.00 (FOR 1A,B,C)
10-02A	Screws- Longbase (1 Pr)	63E	1 PR		1.00 Pair
10-02B	Screws- Shortbase (1 Pr)	63-7	1 PR		1.50 Pair
10-03A	Bracket- Longbase	63	1		6.00
10-03B	Bracket- Shortbase Mirror	63-7	1		7.00
10-04A	Gasket- Longbase	63	1		7.00
10-04B	Gasket- Shortbase (Correct Tan Fiber)	63-7	1		1.50
10-05A	Plate- Longbase (inside Door)	63	1		10.00
10-05B	Plate- Shortbase (inside Door)	63-7	1		10.00
10-06	Rivets (2 Pc)	63-7	1 PR		0.50 Pair
10-07A	Mounting Screw- Longbase	63	1		0.75
10-07B	Mounting Allen Screw- Shortbase	63-7	1		2.50
10-08	Mirror Bushing	63-7	1		2.00
10-09A	<b>63-66 Inside Mirror Bracket</b>	63-6	1		57.00
10-09B	<b>67 Inside Mirror Bracket</b> (without Plastic Cover)	67	1		57.00
10-09C	Plastic Cover For Coupe Mirror Bracket (black)	67	1		32.00
10-09D	Plastic Cover For Coupe Mirror Bracket (red)	67	1		32.00
10-09E-J	10-09E= Bright Blue, 10-09F Saddle, 10-09G Green, 10-09H Teal, 10-09J White				
10-09M	Plastic Cover For All Roadster Mirror Bkt (silver)	67R	1		N/A
10-10	Inside Mirror Pivot Screw (with Shoulder)	63-7	1		2.00
10-11	Mirror Bracket Screws (1 Pr)	63-7	1 PR		1.00 Pair
10-12A	<b>Inside Mirror- Regular</b> (chrome)	63-6	1		48.00
10-12AD	<b>Inside Mirror- Dated</b> (give Vin # Or Date)	63-6	1		62.00
10-12B	x 63-66 Inside Day/night Mirror - Not Available	63-6	1		N/A
10-12E	67 Inside Day/night Mirror (new)(long Handle)	67-71	1		60.00
10-12F	x 67 Inside Day/nite Mirror(new)(short square knob)	67E	1		n/a
(short=quare Knob Through About #2500 Nov 66) slow item, we don't carry.					
10-14	Visor Mounting Screws (4 Pc)	63-7	1 SET		2.00 Set
10-15	Visor Bolt & Nut (1 + 1) (ss)	63-7	4 PR		5.00 Pair
10-16	Special Washers For Visor Pivot (8 Pc)	63-7	1 SET		3.50 Set
10-17	<b>Visor Mounting Kit</b> (1 Car Set :pivots13,14,15,16)	63-7	1 SET		25.00 Set
10-18A	<b>Visor-coupe</b> (pr) ->(give Color & Year)	63-7	1 PR		120.00 Pair
10-18B	<b>Visor-roadster</b> (pr) ->(give Color & Year)	63-7	1 PR		120.00 Pair
10-19	Kit: Retainer, 3 Springs & Plate Kit (no Glass)	63-7	1		15.00
10-20	Sideview Mirror Glass- Dated (month/year)	63-7	1		15.00
10-21	<b>Coupe Dome Light ASM</b> (LIGHT,W Lens & Socket)	63-7	1		45.00
10-21A	Lens, Coupe Dome Light Lens	63-7	1		8.00
10-21C	Coupe Dome Light Screws & U-nuts	63-7	1 SET		1.50 Set
10-21D	Bulb, Courtesy Light/Dome Light	63-7	3		1.00 Each
10-21E	<b>Coupe Or Roadster Dome Light Socket</b>	63-7	1		15.00 Each
10-21F	Courtesy Light Bracket & Screw (1)	63-7	1-3		7.50 Each



## Section 11 Tire Carrier And Mounting Hardware



**#11-04 & 11-13A/B, 11-16A/B WITH ARMOR MARK ON HEAD**  
 >plating not great. Last we have. <very limited supply.

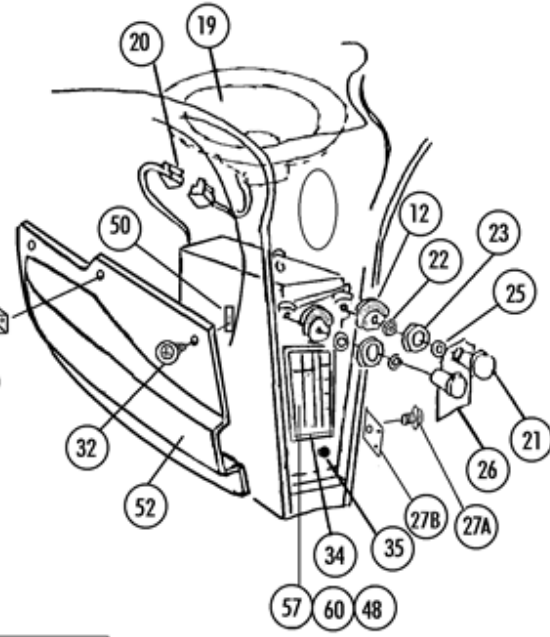
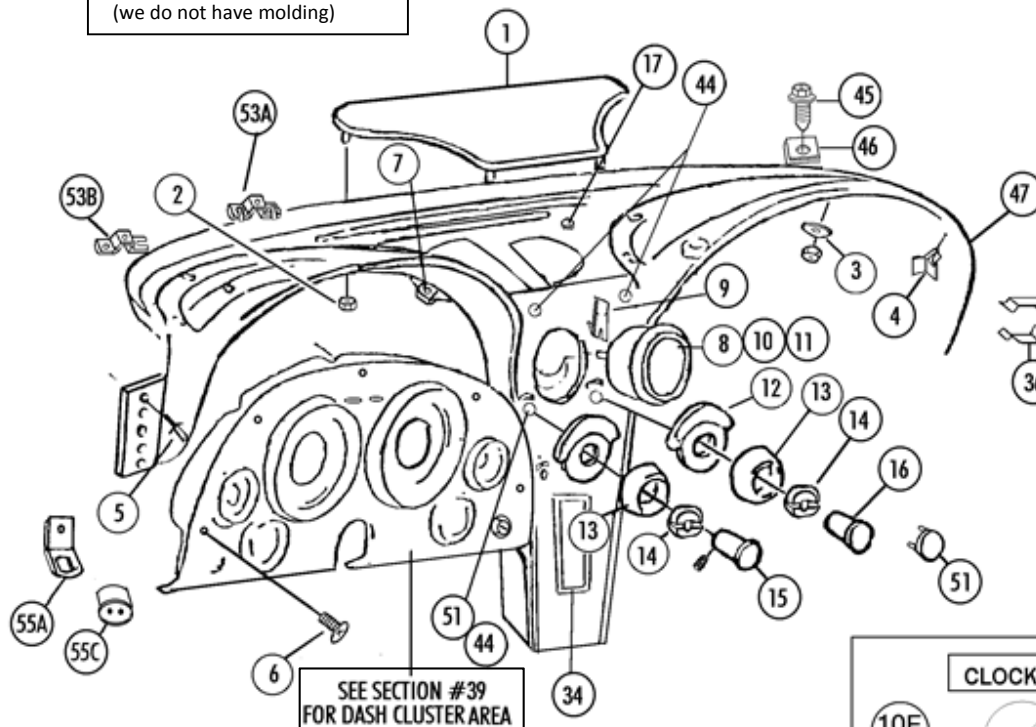
## Section # 11 Tire Carrier Tray Hardware, bolts, Locks

Sec-Part#	Name	Year	#	Need/Car	Price Inc
11-01	X <b>Tire Carrier Cover (Tub)</b> A=63until #14000) B=63L-67 X DISCONTINUED				
11-02	Rivets (6 Pc) (brace To tray)	63-7	1 SET		\$ 2.00 Set
11-03	Lock Washers (2 Pc) (on long bolt#4)	63-7	1 PR		0.50 Pair
11-04A	Front Tire Bolt (63 Late-66 Reg. Wheels) (1)	63L-6	2		\$ 35.00 Each
11-04B	Front Tire Bolt (63E & 67 All, 63-66 Ko Whls) (1)	63E+7	2		35.00 Each
11-04C	Front Tire Bolt (65-6 Gold, 67 Red, radials) (1)	65-7	2		35.00 Each
11-05	Bolts & Washers- Tub Mounting (4) D Headmark	63-7	1 SET		3.50 Set
11-06	Tire Carrier Tray (lid) X no more	63-7	1		x
11-07A	Tire Carrier <b>Brace</b> 63 (sq bkt)	63	1		60.00
11-07B	Tire Carrier <b>Brace</b> 64-67 (angled bkt)	64-7	1		60.00
11-08	Lock Bolt Pin	63-7	1		0.50
11-09	Lock Bolt Barrel Nut	63-7	1		5.00
11-10A	Tire Lock Bolt Bracket	63	1		12.50
11-10B	Lock Bolt Bracket	63L-7	1		10.00
11-11	Lock Bolt Spacer	63L-7	1		1.50
11-12	Lock Bolt Bracket Bolts (pr) (TR Hdmk)	63-7	1 PR		3.00 Pair
11-13A	<b>Tire Lock Bolt (with Armor Headmark)</b>	63	1		\$ 45.00
11-13B	<b>Tire Lock Bolt (with Armor Hdmk)</b> 63L-67 all excpt Red/Gold/radial				\$ 45.00
11-13CR	<b>Tire Lock Bolt</b> 65-67 Red/Gold/Radials (7-3/4)NO HDMK				\$ 22.00
11-14A3	Tire Lock 1963 (Hex Key, Small Cap & Small Hole)	63	1		75.00

11-14A4	1964 Tire Lock (Hex Key, Small Cap & Large Hole)	64	1		n/a
11-14B	Tire Lock (correct Lock & B Key)	67	1		69.00
11-14BM	Correct Tire Lock & Glove Box Lock(Keyed Alike)	67	1 PR		89.00 Pair
11-14C	Tire Lock (correct Key, Small Cap & Large Hole)	65-6	1		75.00
11-14CM	Correct Tire Lock & Glove Box Lock (keyed alike)	65-6	1 PR		89.00 Pair
11-15	Rubber Lock Cover (after Feb 63)	63L-7	1		10.00
11-17	Bumper (on 63 tire lock) before March 63	63	1		3.50
(no more #13B/C tire lock bolt > only in sets #11-16...)					
11-16A	<b>Tire Lock Bolt Set</b> (8,9,10A,12,13A) (ARMOR HDMK)	63	1 SET		65.00 Set
11-16B	<b>Tire Lock Bolt Set</b> (8,9,10B,11,12,13B)Armor Hdmk	63L-7	1 SET		65.00 Set
> 63L-67 all Except Red Or Gold Line Tires, Armor Hdmk (7")					
11-16CR	<b>Tire Lock Bolt Set</b> 65-67 Red/Gold/Radials (7-3/4) *NO HDMARK*				\$42.00 SET

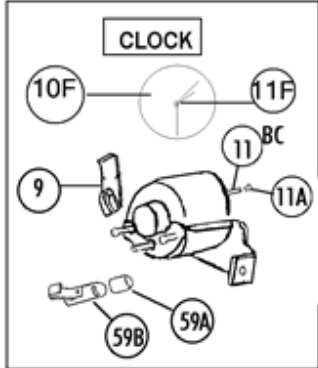
# Section 12 Dash: Clock & Radio Area; Kick Panel, Fresh Air Vents, & Cables (Defrost, Vent & Blower Cables)

See #44-06 Interior mldg screws  
(we do not have molding)

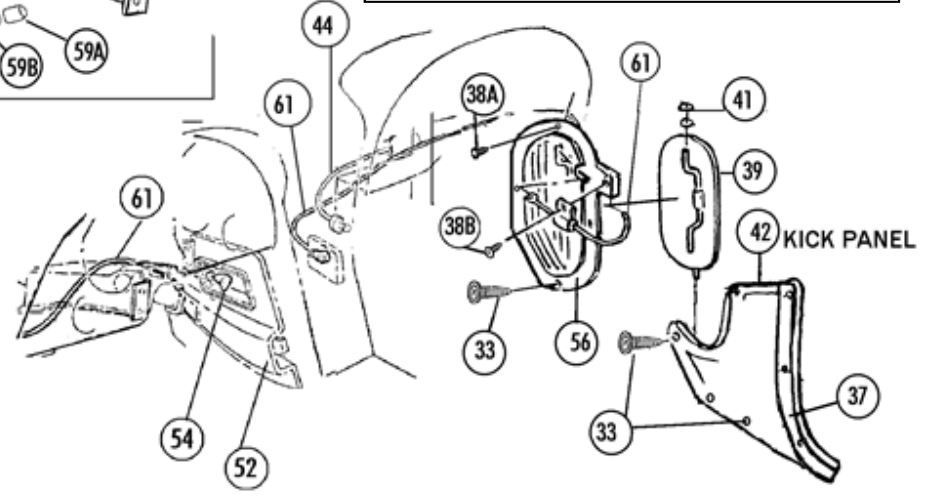
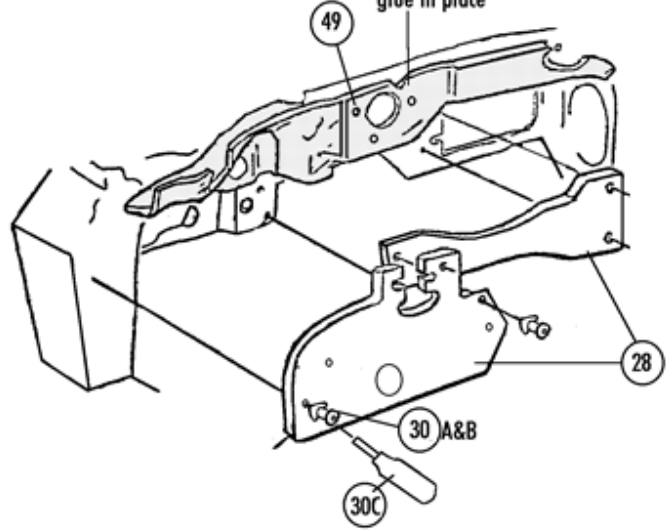


SEE SECTION #39  
FOR DASH CLUSTER AREA

glue in place



Vent Cables = #12-61  
Dash/Blower.Defrost.Temp cables 12-44





Section 12

copyright 2021 licorvette.com 1800-466-6367 2018 - 2021 updated 08-11-2021 \*\*\* -> CALL TO PRE ORDER FOR ALL PICKUPS.

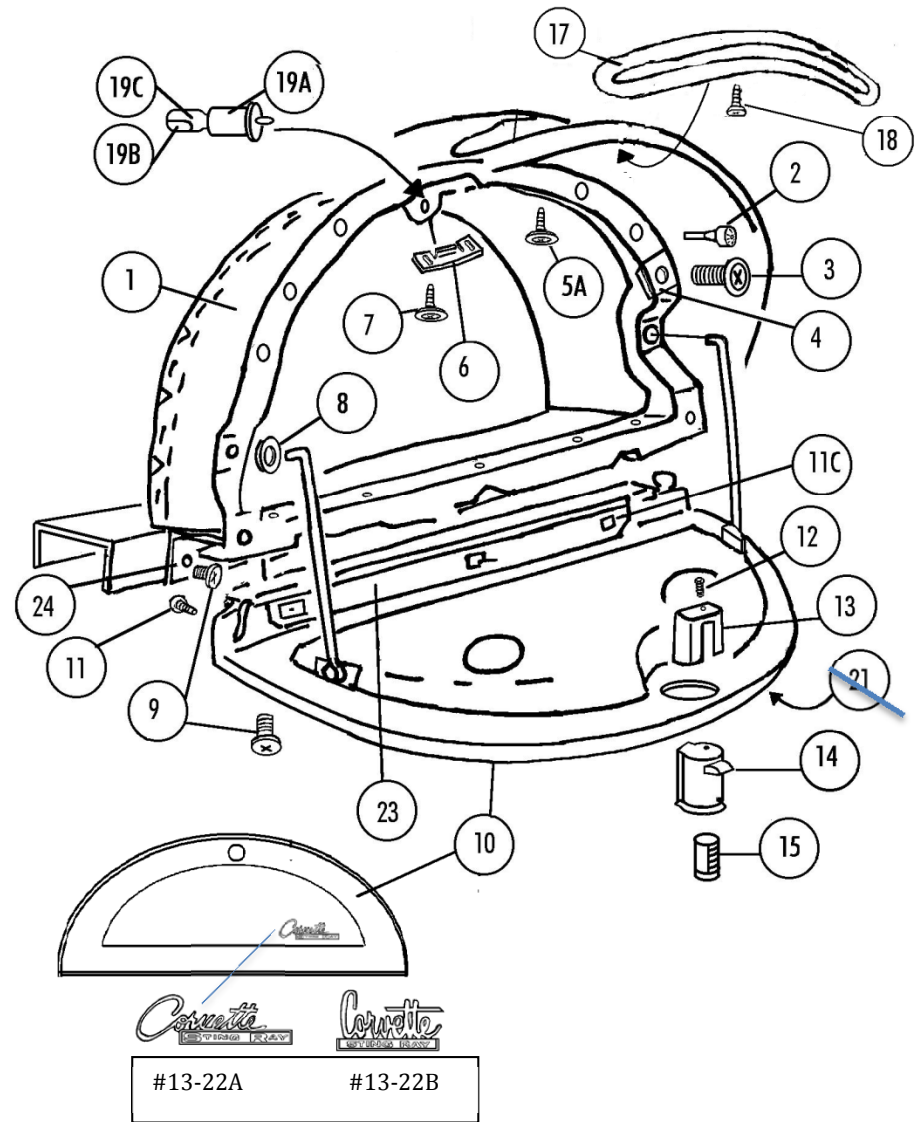
Sec-Part#	Name	Year	#need/Car	Price	Inc
12-01	<b>Speaker Grill</b>	63-7	1	\$ 85.00	Set
12-02	Screws & Nuts (3+10)for Speaker,grill & Def Duct	63-7	1	4.00	Set
12-03	Dash Pad Nuts & Washers (2 Pr)	63-6	1 SET	0.50	Set
12-04A	Dash Pad Clip	63-7	28	3.00	Each
12-04B	Dash Pad Clips (set Of 28)	63-7	1	55.00	Set
12-05	Dash Pad Rivets (black)(10 Pc)	63-7	1 SET	4.00	Set
12-06	Dash Cluster Screws (5 Pc) (black)	63-7	1 SET	5.75	Set
12-07	u-nut (for dash cluster (5) REPRO (square)	63-7	1	22.00	set
12-08C	x 65-67 <b>Clock</b> (Quartz/ticks) (repro/import) (we don't sell)	65-7	1	n/a	
12-08F	Clock Terminal, Nut & Lw	63-7	1 SET	3.50	Set
12-08G	Clock Plug	63-7	1	2.00	
12-09	Clock Retainer Clip	63-7	2	4.00	Each
12-10A	Clock Lens	63-7	1	15.00	
12-10B	Clock Bezel (silver/chrome)	63-4	1	65.00	
12-10C	Clock Bezel (black/chrome)	65-7	1	60.00	
12-10F	x Clock Face	65-7	1	n/a	
12-11A	Clock Knob	63-7	1	11.00	
12-11B	Clock Knob Stem (shaft)	63-4	1	11.50	
12-11C	Clock Knob Stem (shaft)	65-7	1	9.50	
12-11D	Clock Stem Spring	63-7	1	3.50	
12-11F	Clock Hands (3 Pc Set)	65-7	1 SET	50.00	
12-12A	<b>Dash Name Plates</b> (4 Pc) (metal) 1963 no a/c	63	1 SET	\$ 79.00	Set
12-12B	Dash Name Plates Air Cond. (6 Pc) (1963 metal)	63	1 SET	\$ 238.00	Set
12-12C	Dash Name Plates (4 Pc) 1964 no a/c	64	1 SET	12.00	Set
12-12D	Dash Name Plates Air Cond. (6 Pc) 64	64	1 SET	18.00	Set
12-12E	Dash Name Plates (4 Pc) 65-67 no a/c	65-7	1 SET	18.00	Set
12-12F	Dash Name Plates Air Cond. (6 Pc) 65-67	65-7	1 SET	24.00	Set
12-12G	Dash Name Plates (radio & tuning only)(63metal)	63	1 PR	37.00	Pair
12-13A	<b>Heater Bezels</b> (dull)(Reg & A/C)(pr)	64-5	1-2PR	26.00	Pair
12-13B	Heater Bezels (bright)(reg & A/C)(pr)	66-7	1-2PR	28.00	Pair
12-14	Heater Cable Nut	63-7	2-5	5.25	Each
12-15A	<b>Fan Knob</b> (Set Screw)	63-4	1	24.00	
12-15B	Fan Knob (set Screw)	65	1	24.00	
12-15C	Fan Knob (set Screw)	66	1	24.00	
12-15D	Fan Knob (set Screw)	67	1	24.00	
12-15S	Slotted Set Screws (4) For Dash Knobs	63-7	1-2	2.50	Set
12-16A	Knob- Defroster & A/C	63-4	1-3	24.00	Each
12-16B	Knob- Defroster & A/C	65	1-3	24.00	Each
12-16C	Knob- Defroster & A/C	66	1-3	24.00	Each
12-16D	Knob- Defroster & A/C	67	1-3	24.00	Each
12-17	Speaker/ Def Duct Forward Mounting Bolts (3)	63-7	1 SET	1.50	Set
12-19A	<b>Speaker-</b> (with Coil And Connector) (8 ohm)	63-7	1	38.00	
12-20A	Speaker Wire, Plug & Terminal Set	63-7	1	14.00	
12-20B	Speaker Plug & Terminal Set	63-7	1 SET	5.00	Set
12-21A	Radio Knob (set Screw Type)(with AM/FM Only)	63-4	2	25.00	Each
12-21B	Radio Knob	65	2	25.00	Each
12-21C	Radio Knob	66	2	26.00	Each
12-21D	Radio Knob	67	2	26.00	Each
12-21E	Radio Knob (push On)(AM Radio Only) Use 12-21AX	63	2	N/A	
12-22	Radio Knob Nuts (pr)	63-7	1 PR	2.00	Pair
12-23A	Radio Tuning Lever And Spacer Set (dull)	63-5	1 SET	20.00	Set
12-23B	Radio Tuning Lever And Spacer Set (bright)	66-7	1 SET	20.00	Set
12-25	Washer (radio Knob)(pr)	63-7	1 PR	0.50	Pair
12-26	Radio Instruction FM Card (see Sect 2)				
12-27A	Radio Mounting Screw	63-7	1	2.00	
12-27B	Radio Bracket & Rivets (rivet To dash)	63-7	1	12.00	
12-28A	x Insulation & Plugs (with Heater) L & R (preJan63) X	63E	1 SET	X	not avail.
12-28B	<b>Insulation &amp; Plugs</b> (with Heater) L & R	63-4	1 SET	\$ 235.00	Set
12-28C	Insulation & Plugs (with Heater) L & R	65-6	1 SET	235.00	Set
12-28D	Insulation & Plugs (with Heater) L & R	67	1 SET	235.00	Set
Heater Delete: Use 28e Or 28f With Above 28a-28d we don't sell this anymore. :					
12-28E	x Insulation & Plugs (Heater Delete Section) 63-64	63-4	1 SET	n/a	
12-28F	X Insulation & Plugs (Heater Delete Section)	65-7	1 SET	N/A	
12-30A	Insulation Retainer Rubber Plug (1)	63-7	7	2.25	Each
12-30B	<b>Insulation Retainer Rubber Plug</b> (set Of 7)	63-7	1 SET	12.00	Set
12-30C	Firewall Insulation Plug Installation <b>Tool</b>		1	5.00	
12-32	<b>Radio Side Panel Screws</b> (4 Pc)	63-7	1 SET	\$ 4.00	Set
12-33A	<b>Kick Panel Screw</b> Set (set Of 14)	63-4	1	15.00	Set
12-33B	Kick Panel Screws (set Of 12)	65-6	1 SET	14.00	Set
12-33C	Kick Panel Screw Set (set Of 12)	67	1 SET	13.00	Set
12-34	<b>Radio Bezel</b>	63-7	1	18.00	
12-35	Radio Bumper	63-7	1	0.75	
12-36	Flasher Bracket & Screw	65-7	1	11.00	
12-36B	x Plug For Directional Blinker- Replacement no more	65-7	1		discontin.
12-37A	<b>Kick Panel Metal Trim</b> (paint To Match)(pr)	63-4	1 PR	25.00	Pair
12-37B	Kick Panel Metal Trim (paint To Match)(pr)	64L-7	1 PR	25.00	Pair

Sec-Part#	Name	Year	#need/Car	Price	Inc
12-38A	Fresh Air Vent Grill Screw Set (6 Pc)	63-7	1 SET	\$ 2.00	Set
12-38B	Screw- Vent Cable To Vent Grill	63-7	1 PR	0.50	Pair
12-39	Vent Door Housing				N/A
12-39A	Seal kit with rivets for Fresh Air Vents	63-7	1 SET	14.00	Set
12-39B	Fresh Air Vent Door Complete (1)	63-6	2	49.00	Each
12-39C	Fresh Air Vent Door Complete	67	2	49.00	Each
12-41	Push Nuts, Vent & Heater Cables (5)	63-7	1 SET	1.00	Set
12-42A	<b>Kick Panel</b> Cardboard & Windlace (state yr/color)	63-4E	1 PR	35.00	Pair
12-42B	Kick Panel Cardboard & Windlace (state yr/color)	65-7	1 PR	35.00	Pair
a/b = Cardboard And Vinyl - No Carpet (64 late use 12-42A & make your own holes)					
<b>Dash , Vent , and Blower Cables &gt; more below see #12-61 ...</b>					
12-44A	<b>Blower Switch/heat Cable</b> No A/C (LH Under Clock)	63-7	1	\$ 125.00	
12-44B	Blower Switch/Vent Cable (A/C)(LH Under Clock)	63-7	1	\$ 125.00	
12-44A & 12-44B Are For No Rear Blower // (12-44A4 & 44B4 Are For 64-5 With Rear Blower)					
12-44A4	<b>Blower Switch/Cable 64-5 Coupe no a/c</b>	64-5C	1	\$ 125.00	
12-44B4	Blower Switch/vent Cable (64-5 Coupe With AC)	64-5C	1	125.00	
12-44C	Defroster Cable- No A/C (RH Knob)	63-7	1	62.00	
12-44D	Defroster Cable- A/C (lower RH Knob)	63-7	1	62.00	
12-44E	AIR/AC Cable- A/C (upper LH Knob)	63-7	1	69.00	
12-44F	Temp Cable- A/C (upper RH Knob)	63-7	1	69.00	
12-45	Dash Mounting Screw Set (10 Ea)	63-7	1 SET	20.00	Set
12-46	x Dash Mounting U-nuts (10 Pc) NOT AVAIL X	63-7	1 SET		N/A
12-47A	<b>Dash Pads</b> (pr)(give Year,# Hole Insert & Color)	63-7	1 PR	\$ 1180.00	Pair
12-47B	Center Dash Frame SKIN VINYL COVER	63-4	1	185.00	
12-48	Radio AM/FM Selector Bar	63-7	1	20.00	
12-49	Under Dash Sound Deadener (2 Pc)(Glue In Place)	64-7	1 SET	58.00	Set
12-50	Radio Side Panel U-nuts (4 Pc)	63-7	1 SET	1.40	Set
12-51	x Heater Delete Dash Plugs (pr) X not available.	63-7	1 PR		N/A
12-52A	<b>Radio Side Panel</b> (LH 63)	63	1	\$ 110.00	
12-52B	x Radio Side Panel (LH 64 All,65-6 No Radio) x	64-6	1		not avail
12-52C	Radio Side Panel (LH 65-6 With Radio)	65-6	1	110.00	
12-52D	Radio Side Panel (LH 67 All) > see used 12-52DU	67	1		not avail
12-52E	x Radio Side Panel (RH 63-6 All, 67 A/C) x	63-7	1		not avail
12-52F	x Radio Side Panel (RH 67 No A/C) X	67	1		not avail
12-53A	<b>Interior Lower W/S Molding Retainers</b> (4 Pc)	63-7	1 SET	45.00	Set
12-53B	Interior Lower W/S Molding <b>End Retainers</b> (pr)	63-7	1 PR	10.00	Pair
44-06	Interior windshield molding Screws (18 Pc)	63-7	1 SET	5.00	Set
12-54	Vent Pull Knob On Radio Side Panel	67	1or2	20.00	Each
12-55A	<b>Courtesy Light Bracket &amp; Screw</b>	63-7	2or3	9.00	Each
12-55B	Courtesy Light Bulb	63-7	3	1.00	Each
12-55C	Courtesy Light Socket (with terminals)	63-7	3	15.00	Each
12-55D	Courtesy Light Bracket Screws (3)	63-7	1 SET	2.00	Set
12-55E	Courtesy Light Bracket- A/C (LH)	63-7	1	9.00	
12-55F	Courtesy Light Bracket- A/C (RH)	63-7	1	9.00	
12-56A	<b>Vent Grill</b> (LH)	63-7	1	50.00	
12-56B	Vent Grill (RH) (NON A/C)	63-7	1	50.00	
12-56C	X Vent Grill- With Air Conditioning (RH) (NO MORE, you can cut B photo online)				n/a
12-58A	<b>Clip-</b> Hood Release Cable/vent Cable (non A/C)	63-6	1	6.00	
12-58B	Clip- Vent Cable/heater Control Cable (non A/C)	63-6	1	5.00	
12-59A	<b>GREEN COVER</b> For Heater-A/C Light Socket Holder	65-7	1or3	5.00	Each
12-59B	<b>Heater Bulb Metal Socket Holder</b>	64-7	1	26.00	
12-59C	A/C Bulb Metal Socket Holder (3)	64-7	1 SET	60.00	Set
12-57B	<b>Radio Lens-</b> AM/FM push Button	63-4	1	28.00	
12-57C	Radio Lens- AM/FM-push Button	65	1	28.00	
12-57D	Radio Lens- AM/FM-push Button 66-67 x	66-7	1		x n/a
12-60B	x Radio Face Kit (AM-FM)(bezel,lens,buttons,bar)	63L-4	1 SET		x
12-60C	x Radio Face Kit AM/FM (bezel,lens,pushbuttons,slidebar)	65	1 SET		x
12-60D	x Radio Face Kit AM/FM (bezel,lens,pushbuttons,slidebar)	66-7	1 SET		x
> we don't carry ^ discontinued / (use Your Old Lens Retainers & Backer)					
12-61A	<b>Vent Cable Asm</b> (1 pr) (63 ALL, 64 non A/C)	63-4	1 PR	\$ 158.00	Pair
12-61B	Vent Cable Asm (pair) (65-66 No A/C)	65-6	1 PR	158.00	Pair
12-61C	Vent Cable Asm For LH Vent 64 With A/C	64	1	87.00	
12-61D	Vent Cable Asm For LH Vent 65-6 With A/C	65-6	1	87.00	
12-61EL	Vent Cable Asm (no Knob) LH (repl)	67	1	45.00	Each
12-61ER	Vent Cable Asm (no Knob) RH (repl)	67	1	45.00	Each
12-63	Plastic Knob For Vent Cable	65-6	2	9.50	Each
Rear blower cables - we don't sell --- see section 37 for other rear blower pcs.					
12-62A	x <b>Rear Blower Motor Cable</b> Asm (64 No A/C)	64	1		n/a
12-62B	x Rear Blower Motor Cable Asm 64 With A/C	64	1		n/a
12-62C	x Rear Blower Motor Cable Asm (65 No A/C)	65	1		n/a
12-62D	x Rear Blower Motor Cable Asm (65 With A/C)	65	1		n/a
12-64A	Screws (2) For Vent Cable To Dash (zinc)	63-4	1 PR	1.00	Pair
12-64B	Screws (2) Vent Cable To Dash (black)	65-6	1 PR	1.00	Pair

Flashers see Section 43 -19 Capacitors see section 53 Gauges/cluster see section 39

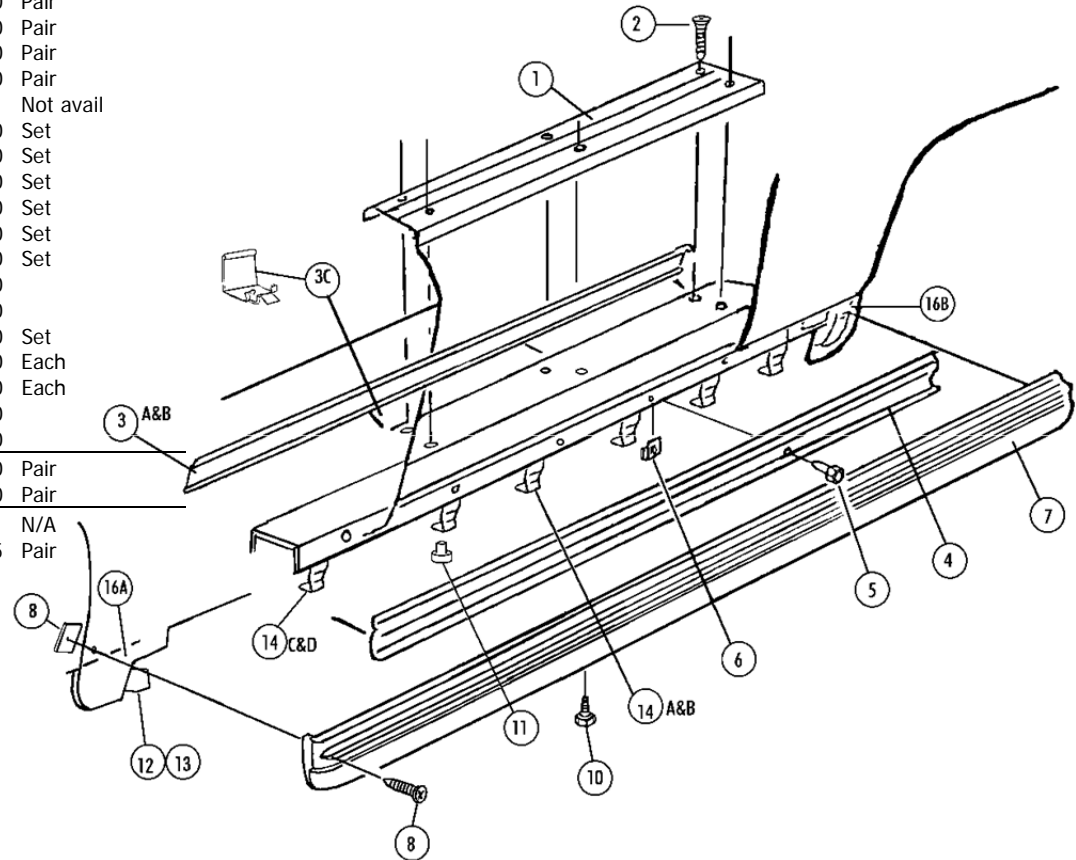


Sec-Part#	Name	Year	#Need/Car	Price	Inc
13-01	Glove Box Liner (assembled with correct nuts)	63-7	1	\$ 24.00	Each
13-02	Glove Box Bumpers (pr)	63-7	1 PR	3.00	Pair
13-03	Glove Box Frame Screws (6 Pc)	63-7	1 SET	9.00	Set
13-04	Glove Box Frame U-nut (for #3)(6 Pc) (replacement/longer)	63-7	1 SET	4.50	Set
13-04R	Glove Box Frame U-nut (for #3)(6 Pc) (REPRO/SQUARE)	63-7	1 SET	25.00	Set
13-05A	Glove Box Liner Screws (9 Pc)	63-7	1 SET	5.50	Set
13-06	Glove Box Lock Striker (with P stamp)	63-7	1	9.00	
13-07	Glove Box Striker Screws (pr)	63-7	1 PR	1.50	Pair
13-08	Glove Box Rod Grommets (pr)	63-7	1 PR	3.00	Pair
13-09A	Glove Box Hinge And Support Screws (7 Pc)	63-7	1 SET	4.75	Set
13-09B	Screw & Washer For Gb Hinge Spring	63-7	1	0.75	
13-10A	x 63 Glove Box Door (comes With 13-11c Reinf)	63	1		
13-10B	x 64-65 Glove Box Door	64-5	1		
13-10C	x 1967 Glove Box Door	66-7	1		
13-11A	GB Door To Hinge Screws & Washers (3 Pr)	63	1 SET	2.25	Set
13-11B	Glove Box Door To Hinge Screws & Lw (3 Pr)	64-7	1 SET	2.25	Set
13-11C	Glove Box Door Reinforcement (must Use With 63)	63	1	10.00	
13-12	Glove Box Catch Screw & Lw (for #13)	63-7	1	0.75	
13-13A	Glove Box Catch Retainer (chrome)	63	1	10.00	
13-13B	Glove Box Catch Retainer (chrome)	64-7	1	10.00	
13-14A	63 Glove Box Catch Housing (larger bezel 1-1/8 63 2 <sup>nd</sup> desgn)	63L	1	15.00	
13-14B	64-7 Glove Box Catch Housing (7/8" bezel) 63E,64-67all	63E,64-7	1	15.00	
13-15A	63-66 Glove Box Tumbler- Lock (keyed)	63-6	1	22.00	
13-15B	67 Glove Box Tumbler- Lock (unkeyed) B KEYWAY	67	1	19.00	
13-17	Grab Insert (specify-year-color-# of Holes @chkout)	63-6	1	\$ 18.00	
13-18A	Grab Insert Screws (4 Pc)	63-4	1 SET	1.00	Set
13-18B	Grab Insert Screws (6 Pc)	64-6	1 SET	1.50	Set
13-19A>	GB Light Socket/Switch, Bulb (19b)& Shield(19c) Assembly	63-7	1	\$ 20.00	
13-19B	Glove Box Bulb	63-7	1	1.00	
13-19C	Glove Box Bulb Shield (with O stamp)	63-7	1	8.00	
13-20A	Key- Glove Box Hex	63-4	2	5.00	Each
13-20B	Key- Glove Box Round (GM/B&S) (no Slug)	65-6	2	5.00	Each
13-20C	Key- Glove Box Round (B)(with Slug)	67	2	10.00	Each
x 13-21A	x 64-65 G/B Door Rebuild Plate And Special Screw Kit	64-5	x	<b>discontinued</b>	
x 13-21B	x 66-67 G/B Door Rebuild Plate And Special Screw Kit	66-7	x	<b>discontinued</b>	
13-22A	Glove Box Door Emblem (Corvette)	64-5	1	42.00	
13-22B	Glove Box Door Emblem (Corvette)	66-7	1	42.00	
13-23	Glove Box Door Hinge	63-7	1	39.00	
13-24A	G/B Lower Reinforcement (no A/C)(before 4/15/63)	MID63	1	35.00	
13-24B	G/B Lower Reinforcement(4/15/63 Til 10/63)	63L-4E	1	35.00	
13-24C	G/B Lower Reinforcement (mid 64-67)	64-7	1	35.00	

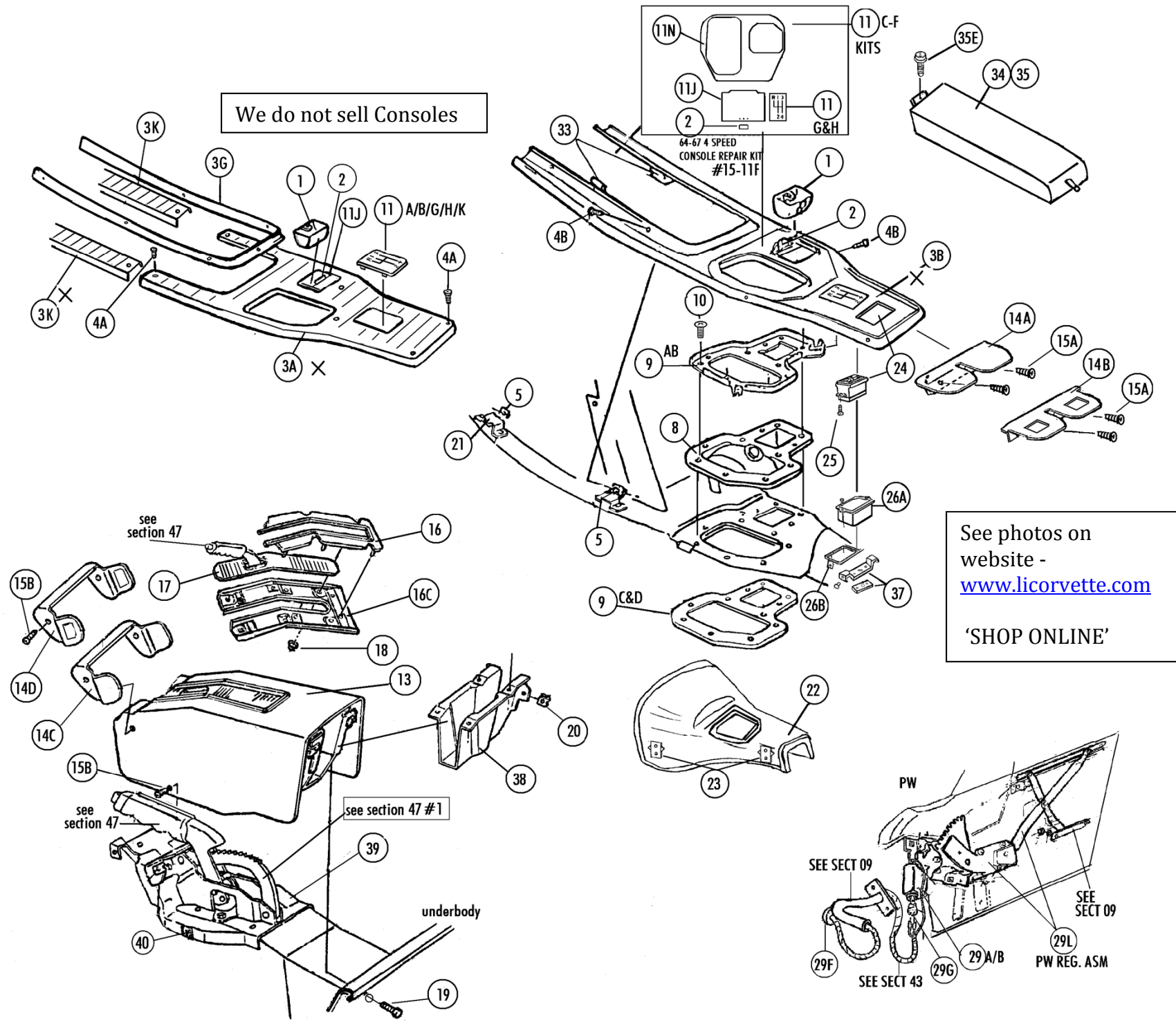


## Section #14 Door Sills And Rocker Panels

Sec-Part#	Name	Year	#Need/Car	Price	Inc
<b>Door Sills</b>					
14-01A	Door Sills- 4 Hole (pr) (correct 13 Grooves)	63-4E	1 PR	65.00	Pair
14-01B	Door Sills- 6 Hole (pr) (correct 13 Grooves)	64L-6	1 PR	65.00	Pair
14-01C	Door Sills (pr) (correct 33 Grooves)	67	1 PR	65.00	Pair
14-02A	Door Sill Screws (8 Pc)	63-4	1 SET	4.00	Set
14-02B	Door Sill Screws (12 Pc)	65-7	1 SET	6.00	Set
14-03A	Metal Carpet Support (wire cover) (pr)	63-4	1 PR	\$ 32.00	Pair
14-03B	Metal Carpet Support (wire cover) (pr)	65-7	1 PR	\$ 32.00	Pair
14-03C	Carpet Support Clip (1) sold each ord qty	63-7	6-14	\$ 6.75	Each
	63-64 Used 14 Per Car, 65-67 6 Per Car				
14-03D	Carpet Support Clip Rivets (14 Pc)	63-7	1 SET	\$ 4.75	Set
<b>Rocker Panels and Hardware (67 rockers are discontinued/ no more)</b>					
14-04	Rocker Panel Support Strip (1)	63-7	2	\$ 14.00	Each
14-05	Rocker Panel Support Screws (12 Pc)	63-7	1 SET	6.00	Set
14-06	Rocker Panel Support U-nuts (12 Pc)	63-7	1 SET	4.00	Set
14-07A	Rocker Panel (63) (1 Pair) __drop ship only	63	1 PR	\$ 330.00	Pair
14-07B	Rocker Panel (64) (1 Pair) __drop ship	64	1 PR	\$ 330.00	Pair
14-07C	Rocker Panel (65) (1 Pair) __ drop ship only -	65	1 PR	\$ 330.00	Pair
14-07D	Rocker Panel (66) (1 Pair) __ (drop ship)	66	1 PR	\$ 330.00	Pair
14-07E	x Rocker Panel (67) (1 Pair) X	67	1 PR		Not avail
14-08	Rocker Panel End Screws And Nuts (4 Pr) (black)	63-7	1 SET	3.50	Set
14-10A	Lower Rocker Molding Bolts (14) (zinc)	63-5E	1 SET	9.00	Set
14-10B	Lower Rocker Molding Screws (14) (black) (>1/65)	65L	1 SET	9.00	Set
14-10C	Lower Rocker Molding Screws (8 Pc) (black)	66-7	1 SET	6.00	Set
14-11A	Plastic Nuts (14 Pc)	63-5	1 SET	7.00	Set
14-11B	Plastic Nuts (8 Pc)	66-7	1 SET	4.00	Set
14-12A	Rocker Front Bracket (LH) (rivet To Fender Tip)	63-7	1	8.00	
14-12B	Rocker Front Bracket (RH) (rivet To Fender Tip)	63-7	1	8.00	
14-13	Rivets (for #12)(4 Pc)	63-7	1 SET	1.00	Set
14-14A	Rocker Support Bracket (weld To Rocker Sil)	63-5	10	10.00	Each
14-14B	Rocker Support Bracket (weld To Rocker Sil)	66-7	6	10.00	Each
14-14C	Rocker Bracket- Front LH (weld To Rocker Sil)	63-5	1	15.00	
14-14D	Rocker Bracket- Front RH (weld To Rocker Sil)	63-5	1	15.00	
14-16A	Fender Fiberglass Tips (Front)(pr)(for Removing Side Pipes)	63-7	1 PR	110.00	Pair
14-16B	Fender Fiberglass Tips (Rear)(pr)(for Removing Side Pipes)	63-7	1 PR	110.00	Pair
14-17	X Door Sill Metal Reinforcement (rocker channel)	63-7	1		N/A
14-18	Coupe Door Sill Plug (under Sill)(pr)	64-7	1 PR	3.75	Pair



# Section #15 Console - Boots - Carpets- Power Windows - 67 Brake Console



See photos on website - [www.licorvette.com](http://www.licorvette.com)  
'SHOP ONLINE'



## Section #15 Consoles- Shift Boots - Carpets - Power Windows - 67 Brake Console

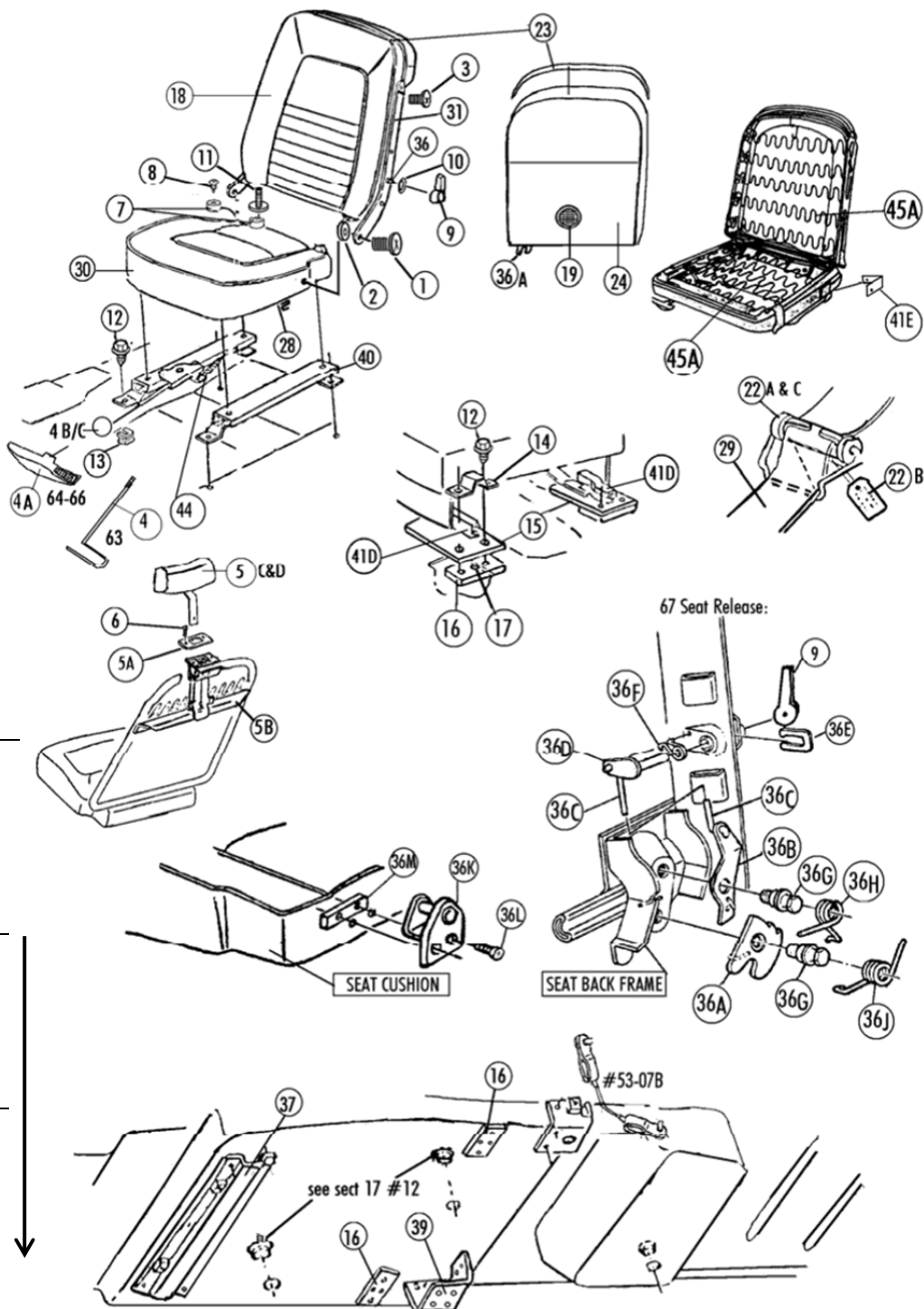
Sec-Part#Name	Year	#Need/Car	Price
<b>&gt; we do not sell consoles &lt;</b>			
15-01A <b>Ash Tray 1963 with rectangular clip &amp; AAC stamp</b>	63	1	\$ 20.00
15-01 Ash Tray <b>64-67 u-clip, stamped AAC (fits 63-67)</b>	64-7	1	12.00
15-02 Ash Tray Knob with Screws (replacement)	63-7	1	9.00
15-02R Ash tray knob, Orig style/Rivet* on type	64-7	1	12.50
15-03G 63 Console Horseshoe Molding	63	1	120.00
15-04A 63 Console Screw Set (10 Short, 7 Long)	63	1 SET	5.00 Set
15-04B 64-67 Console Screw Set (4 Short, 4 Long)	64-7	1 SET	3.00 Set
15-05A Console U-nuts (17 Pc)	63	1 SET	5.50 Set
15-05B Console U-nuts (4 Pc)	64-7	1 SET	1.25 Set
15-08A <b>Shifter Boot (1963 4 Spd)</b>	63	1	45.00
15-08B Shifter Boot (3 Spd & Auto)	63	1	50.00
15-08BN SHIFT BOOT 63 AUTO & 3SPD- NEW OLD STOCK - ORIG	63	1	75.00
15-08C Shifter Boot (3 & 4 Spd)	64-7	1	25.00
15-08D Shifter Upper Seal (64 auto) x	64	1	n/a
15-08DL Shifter Lower Shifter Seal (64 Auto) x	64	1	N/A
15-08E Shifter Boot (65-67 Auto) x	65-7	1	N/A
15-09A <b>Shifter Boot Retainer</b>	63	1	27.00
15-09B Shifter Boot Retainer	64-7	1	17.00
15-09C X Shifter Boot Nut Plate+rivets (under Fiberglass)	63	1	N/A
15-09D Shifter Boot Nut Plate+rivets (under Fiberglass)	64-7	1	28.00
15-10 Screws for shift boot retainer (11 Pc)	63-7	1 SET	8.00 Set
<b>Shift Indicators and Console Repair Kits</b>			
15-11A Shifter Indicator Plate- 63 4 Spd	63	1	\$ 19.00
15-11B Shifter Indicator Plate- 63 Auto	63	1	19.00
15-11C ► Console Repair Kit (64-67 3 Spd)	64-7	1	49.00
15-11D ► Console Repair Kit (64 auto)	64	1	49.00
15-11E ► Console Repair Kit (with Slide)(65-67 auto)	65-7	1	44.00
15-11F ► <b>Console Repair Kit (64-7 4 Spd)(incl#11H,11J,11N</b>	64-7	1	44.00
15-11G Shifter Indicator (64-7 3 Spd)	64-7	1	12.00
15-11H Shifter Indicator (64-7 4 Spd)	64-7	1	8.50
15-11J Ash Tray Door (with Knob Riveted On)	64-7	1	25.00
15-11K Shifter Indicator plate (64 auto)	64	1	10.50
15-11M Plastic Runners (2) for ash tray door	63-7	1 PR	15.00 Pair
15-11N Console Shifter Surround Plate 3&4spd	64-7	1	20.00
15-11P Console Auto Shifter Surround Plate	65-7	1	20.00
15-12 Auto Console Black Slide (65-7)	65-7	1	12.50
<b>15-13 1967 Brake Console (paint to match interior)</b>	67	1	\$ 125.00
<b>67 Brake Console and 65-67 Sat Belt Retainers on console</b>			
15-14A <b>Seat Belt Retainer (65-early 66) (No Holes)</b>	65-6	1	\$ 25.00
15-14B Seat Belt Retainer (late 66 & Replacements)	66	1	18.00
15-14C Seat Belt Retainer (67E with No Holes) (bef Vin7000)	67E	1	35.00
15-14D Seat Belt Retainer (67L with Holes) (after Vin#7000)	67L	1	35.00
15-15A Seat Belt Retainer Screws (2 Pc)	65-6	1 PR	1.00 Pair
15-15B Screws(4pc)for Seat Belt Retainer& Brake Console	67	1 SET	2.00 Set
15-15C J Nuts For Brake Console Screws (4 U-nuts)	67	1 SET	2.75 Set
<b>15-13 1967 Brake Console (paint to match interior)</b>	67	1	\$ 125.00
15-16 x Brake Console <b>Chrome Trim</b>	67	1	n/a
15-16B x Brake Console <b>Chrome Trim and metal reinf (assembled)</b>	67	1	n/a
15-16C Metal Reinforcement for Brake Chrome Trim	67	1	48.00
15-17 <b>Brake Console Black Slide (1967)</b>	67	1	5.00
15-18 Brake Slide Retainer Nuts (10 Pc)	67	1 SET	2.50 Set
15-19 Brake Console Bolt- Rear (2 Pc) (anchor)	67	1 PR	4.00 Pair
15-20 Brake Console U-nut- Rear (2 Pc)	67	1 PR	1.25 Pair
15-21 Forward Console Support Brackets & Rivets (4 & 8	63-7	1 SET	12.00 Set
15-22 <b>Transmission Tunnel Insulation (under body)</b>	63-7	1	\$ 52.00
15-23 Clips & Rivets For Insulation (4+8)	63-7	1 SET	10.00 Set

Sec-Part#Name	Year	#Need/Car	Price
<b>&gt; POWER WINDOWS switch, regulators ....</b>			
<b>15-24 Power Window Switch (repro)</b>	63-7	1	99.00 Each
15-24B Plug & Pigtail For Power Window Switch	63-7	1	28.00
15-25A P/W Switch Screws, Nuts & Spacers	63	1 SET	6.00 Set
15-25B P/W Switch Screws (pr)	64-7	1 PR	1.00 Pair
15-26A Power Window Switch Shield CUP (cup only)	63-7	1	\$ 32.00
15-26B Nut Plates, Rivets & Screws For P/W Switch Cup	63-7	1 SET	9.00 Set
15-27A <b>P/W Circuit Breaker 63-66 (with Nuts)</b>	63-6	1	12.00
15-27B Clip For Power Window Circuit Breaker	63-6	1	14.00
15-27C P/W Circuit Breaker 1967 (with Nuts)	67	1	22.00
15-27D Mounting Screws For P/W Circuit Breaker (pr)	67	1 PR	1.00 Pair
15-27E Nut & Lw For P/W Circuit Breaker (2 Each)	63-7	1 SET	0.50 Set
15-27F Power Window Regulator Arc Gear	63-7	2	30.00 Each
15-28A <b>Power Window Relay (replacement)</b>	67	1	39.00
15-28B Mounting Screws For P/W Relay (pr)	67	1 PR	0.75 Pair
15-29 Power Window Harness (see Section 43-04)	63-7	1	125.00
15-29A <b>Power Window Motor (LH) (new replacement)</b>	63-7	1	125.00
15-29B Power Window Motor (RH) (new replacement)	63-7	1	125.00
15-29D Bolts For Power Window Motor Mounting (6)	63-7	1 SET	9.00 Set
15-29E P/W Harness Wire S-clips Under Dash (6)	63-7	1 SET	9.00 Set
15-29F P/W Rubber Grommets In Door & Under Dash (2+2)	63-7	1 SET	5.50 Set
15-29G X Power Window Harness round Plugs (2) & Terminals(4)	63-7	1 PR	N/A
15-29J X Power Window Motor Plate Bushing (1)	63-7	2	N/A
15-29L x <b>Power Window Regulators Assembly, 1 Pair</b>	63-7	1 PR	n/a
15-29M x <b>Power Window Kit: Reg Asm , Motor, Wiring, Kit &gt;</b>	63-7	1	n/a
W Relays,switch,pw Switch Cup,cir Breakers,conduits * Give Year For Wiring			
X2021 We don't seel power window regulators and no kits			
<b>Carpet Sets= Front And Back – Car Set – 63-64 = Foam Back ; 65-67 Padding not Included</b>			
<b>XWE DON'T SELL CARPET</b> Give: year,color,Coupe or Roadster – (complete set =front+rear)			
15-30A X Carpets-car set,give:year & Color Coupe,roadst	63-4	1 SET	
(for 63 early- Large Wells Under Seats , 63-64 Carpet is Foam Backed.			
15-30B X Carpets-car set Give:year,color,coupe Or Roadstr	65-6	1 SET	
15-30CC X Carpets-car set Give:year,color,coupe Or Roadstr	67C	1 SET	
15-30CR X Carpets-car set 67 ROADSTER give color on checkout	67R	1 SET	
65-66 AND 67 Carpet: USE 15-31 jute or 15-32a/b orig type sound deadener			
<b>Jute Padding and Carpet Underlay</b>			
15-31 Jute Padding (under Carpets)(replacement)	65-7	1 SET	\$ 55.00 Set
15-32A Carpet Underlayment Coupe (black rubber/jute)	65-7	1 SET	\$ 345.00 Set
15-32B Carpet Underlayment Roadster (black rubber/jute)	65-7	1 SET	\$ 345.00 Set
#15-32A/B (includes Black Rubber & Jute Material			
<b>Center Arm Rest</b>			
15-33 Radio Side Panel Support Clips (1 pr)	64-7	1 PR	\$ 15.00 Pair
15-34A <b>Center Arm Rest Assembly-vinyl (give Year/color)</b>	63-6	1	\$ 115.00
15-34B Center Arm Rest Assembly -Leather > yr/color *spl ord	63-6	1	\$ 125.00 *
15-35A Center Arm Rest Cover- Vinyl (state Yr&color)	63-6	1	40.00
15-35B Center Arm Rest Cover- Leather (state Yr&color)	63-6	1	60.00
15-35C X Center Arm Rest Foam	63-6	1	N/A
15-35D X Center Arm Rest Metal Base	63-6	1	N/A
15-35E Center Arm Rest Screw	63-6	1	2.00
<b>15-36 Clear Floor Mats with bowtie (pr)</b>			
15-37A Console Retainer Bracket With Rivets & Nut Plate	63	1 SET	15.00 Set
15-37B Console Retainer Bracket With Rivets & Nut Plate	64-6	1 SET	15.00 Set
15-38 Parking Brake Console Rear Reinforcement	67	1	80.00
15-39 Brake Console Lower Support & Bracket	67	1	\$ 154.00
15-40 Rivets & U-nuts For Brake Support (6+4)	67	1 SET	2.75 Set

## Section #16 Seat Hardware, Headrests, Seat Belts, Seat Tracks , 67 Lever Hardware, Seat Covers, Seat Backs ...

Sec -Part#	Name	Year #	Need/Car	Price	Inc
16-01	Seat Pivot Screws (4 Pc)	63-7	1 SET	12.50	Set
16-02	Seat Pivot Spacers (4 Pc)	63-7	1 SET	5.00	Set
16-03	Seat Side Screws (12 Pc)	63-7	1 SET	11.50	Set
16-04	1963 Seat Adjuster Handle (chrome) (1)	63	2	\$ 39.00	each
16-04A	Seat Adjuster Handle (1)	64-6	2	28.00	Each
16-04B	Seat Adjuster Chrome Ball (plastic Center)(1)	67	2	7.00	Each
16-04C	Seat Adjuster Chrome Ball (solid metal) (1)	67	2	14.00	Each
16-05A	Headrest Escutcheon (rectangular bezel on top) (1)	66-7	NEED 2	24.00	Each
16-05B	x Headrest Conversion Metal (inside seat) (2 Seat Set)	66-7	1 PR	discontinued.	
16-05CR	1966 RED ONLY Headrests With Vinyl Covers (pr )	66	SEE ONLINE		Pair
16-05DR	1967 RED Headrests With Vinyl Covers (pr )	67	SEE ONLINE		
16-06	Headrest Escutcheon Screw (for #05a)(4 Pc)	66-7	1 SET	2.00	Set
16-07A	<b>Seat Plastic Bumpers</b> (4 Pc)	63-6	1 SET	8.00	Set
16-07B	Seat Metal & Plastic Bumpers (2&2)	67	1 SET	15.00	Set
16-08A	Seat Bumper Screws (4 Pc) (63-64E=thru feb64)	63-4E	1 SET	2.50	Set
16-08B	Seat Bumper Screws (4 Pc)	64L-7	1 SET	2.00	Set
16-09	<b>1967 Seat Back Lock Lever (1)</b>	67	2	35.00	Each
16-10	Seat Back Lever Washers (pr)	67	1 PR	5.00	Pair
16-11	Seat Back Adjuster Screw, Nut & Washer (1 Each)	63-6	4	2.75	Each
16-12A	Seat Mounting Screws (12 Pc) (black, E Hdmk)	63-6	1 SET	11.00	Set
16-12B	Seat Mounting Screws (8 Pc) (black, E Hdmk)	67	1 SET	7.50	Set
16-13	Shim (1/8" Thick)	64-7	-	1.00	Each
16-14	<b>Seat Mounting Anchor (1)</b>	63-6	4	5.50	Each
16-15	Seat Mounting Plate (1)	63-6	4	5.50	Each
16-16A	<b>Seat Mounting Rear Nut Plate</b> (with rivets)	63-6	4	12.00	Each
16-16B	Seat Mounting Rear Nut Plate (with rivets)	67	4	12.00	Each
16-17A	Seat Mounting Rear Nut Plate Rivets (8 Pc)	63-6	1 SET	2.00	Set
16-17B	Seat Mounting Rear Nut Plate Rivets (4 Pc)	67	1 SET	1.00	Set
16-18	<b>Seat Set Used Frames - Call For Availability</b>	63-7	1		web
16-18A	x 63-64 Seat Covers- Vinyl (1 car set)	63-4	1 SET		Set
16-18B	x 65-66 Seat Covers- Vinyl (1 car set)	65-6	1 SET		Set
16-18B7	x 1967 Seat Covers-vinyl (1 car set)	67	1		Set
<b>(spl ord/direct +ship &gt; ALL SEAT COVERSx &lt; DON'T SELL ANYMORE. &gt;16-30 , BUNS ARE SPL ORDER.</b>					
16-19A	Seat Back Chrome Wire Screen Vents (4) X	63-4	1 SET		N/A
16-19B	Seat Back Chrome Wire Screen Vents (pr)	65-7	1 PR	6.50	Pair
16-19C	Seat Back Screen Staking Tool	63-4	1	10.00	
16-19D	Hole Punch For Vent Screen Vinyl Or Leather(9/16	63-4	1	19.00	
<b>&gt;16-20 Long Seat Belt Boots (65-early 66)(before 12/65) dye for other colors</b>					
16-20A	<b>Seat Belt Boots, Long Black (pr)</b>	65-6E	1 PR	\$ 38.00	Pair
16-20B	<b>Seat Belt Boots,long- Red (pr)</b>	65-6E	1 PR	50.00	Pair
16-20C	x Seat Belt Boots,long- Bright Blue (pr)	65-6E	1 PR		N/A
16-20D	X Seat Belt Boots,long- Saddle (pr)	65-6E	1 PR		N/A
<b>&gt;16-21 Short Seat Belt Boots (late66-67)(after 11/65)</b>					
16-21A	<b>Seat Belt Boots,short- Black (with Hole)(pr)</b>	66L-7	1 PR	\$ 40.00	Pair
16-21B	x Seat Belt Boots,short- Red (with Hole)(pr)	66L-7	1 PR		N/A
16-21CB	x Seat Belt Boots,short(with Hole)(pr) Bright Blue	66L-7	1 PR		n/a
16-22B	Seat Belt Retractor Instruct <b>Orange Tags</b> (pr)	65-6E	1 PR	6.00	Pair
16-22A	X Seat Belt Retractors (pr) (good Repl-diff Wordg)	65-6E	1 PR		N/A
16-23B	Seat Back Trim (chrome) (1)	65-7	2	35.00	Each
16-24A	<b>Seat Backs (black)(pr) W/vents</b>	65-6	1 PR	135.00	Pair
16-24B	Seat Backs (black)(pr) W/vents	67	1 PR	135.00	Pair
16-24C	Seat Backs (pr)w/vents(specify Color And Yr)	65-6	1 PR	135.00	Pair
16-24D	Seat Backs (pr)w/vents(specify Color)	67	1 PR	135.00	Pair
16-24E	<b>Seat Backs W/SS Trim&amp;vent Installed(pr)(color ?)</b>	65-6	1 PR	185.00	Pair
16-24F	Seat Backs W/SS Trim&vent Installed(pr) (color?)	67	1 PR	185.00	Pair
16-25	Seat Cover Installation Kit (state Year)	63-7	1	36.00	
16-26A	<b>Seat Belt Anchor Bolt Set</b> (4 Pc)	63-4	1 SET	25.00	Set
16-26B	Seat Belt Anchor Bolt & Nut Set (2 Ea)	65-7	1 SET	14.00	Set
16-26C	Shoulder Harness/ Seat Belt Bolt & Nut Set(4+2)	66-7	1 SET	26.00	Set
16-28	Upholstery S Clips (32 Pc)	63-7	1 SET	25.00	Set
16-30	<b>Seat Foam Buns</b> - Specify Year (4 Pc) <b>(spl ord/direct +ship)</b>		1 SET	\$ 240.00	Set
<b>(spl ord/direct +ship &gt; ALL SEAT COVERS, BUNS ARE SPL ORDER.</b>					

N/A = NOT AVAILABL E= DISCONTINUED .





Sec -Part#	Name	Year #	Need/Car	Price	Inc
16-31A3	Seat Side Chrome Rails (4 Pc) (no Notch) (USA)	63-4	1 SET	225.00	Set
16-31A5	Seat Side Chrome Rails (4 Pc) (USA)	65-6	1 SET	225.00	Set
16-31B	Seat Side Chrome Rails (4 Pc) (USA)	67	1 SET	225.00	Set
<b>16-32A-H, J &amp; K are replacement type, flat chrome buckles, repl web - do not look correct</b>					
16-32A	Seat Belts (complete replacement)(black) X no more	63-7	1 SET	n/a	
16-32B	Seat Belts (complete replacement)(red)	63-7	1 SET	50.00	Set
16-32C	Seat Belts (complete replacement)(tan)	63-7	1 SET	50.00	Set
16-32D	Seat Belts (complete replacement)(dark Blue)	63-7	1 SET	50.00	Set
16-32E	Seat Belts (complete replacement)(bright Blue)	63-7	1 SET	50.00	Set
16-32F	-K see online for more colors				
02-13A	EMBLEMS round bowtie on seat belt buckle	64-66	1 pr	9.00	Pair
16-34	63-64 Seat Back Cardboard (pr) x	63-4	1 PR	n/a	
16-35A	xShoulder Harness Buckle Cup & Screws	67	1	n/a	
16-35B	xShoulder Harness- Specify Color (2 Pr) X	66-7	1 SET	N/A	
16-35C	xShoulder Harness End Covers (black)(pr)	66L-7	1 PR	n/a	
16-35D	xShoulder Harness Large Chrome End (1)	66L-7	2	n/a	

<b>67 seat latch:</b>					
16-36A	Seat Back Latch Fork	67	2	19.00	Each
16-36B	Seat Back Catch Lever	67	2	7.00	Each
16-36C	Seat Back Crank Rod	67	2	8.00	Each
16-36D	Seat Back Lever Crank	67	2	21.00	Each
16-36E	Seat Handle Crank Retainer Clip	67	2	5.00	Each
16-36F	Seat Back Release Lever Antirattle Spring	67	2	5.50	Each
16-36G	Seat Catch Lever Pivot Screw	67	4	9.50	Each
16-36H	Seat Latch Lever Spring	67	2	5.00	Each
16-36J	Seat Latch Fork Spring	67	2	5.00	Each
16-36K	Catch On Seat Bottom	67	2	35.00	Each
16-36L	Screws For Seat Catch (4 Pc)	67	1 SET	3.00	Set
16-36M	Nut Plate For Seat Catch Screws	67	2	7.00	Each
16-37A	Long Front Seat Nut Plate	63	2	30.00	Each
16-37B	Long Front Seat Nut Plate	64-6	2	30.00	Each
16-37C	Long Front Seat Nut Plate	67	2	30.00	Each
16-37D	Rivets For Long Front Seat Nut Plates (12 Pc)	63-7	1 SET	4.00	Set

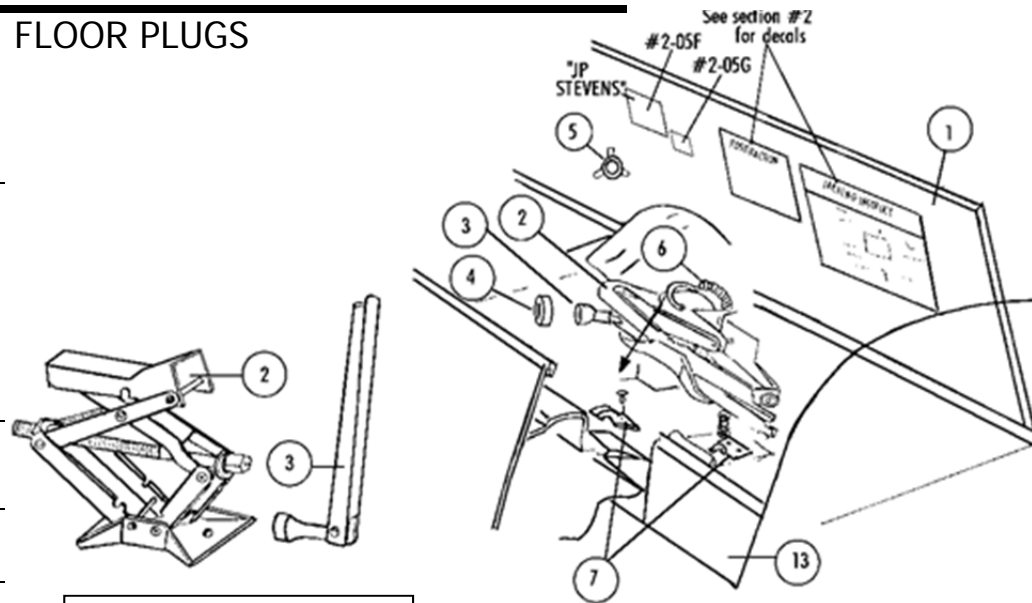
< OUR seat rails - MADE IN USA ! \* 63-64 no notch @ top , 65-67 with notch for seat trim.

16-39A	Seat Belt Reinforcement Corners (4 Pc)(w rivets)	63	1 SET	95.00	Set
16-39B	Seat Belt Reinforcement Corners (4 Pc)(w rivets)	64	1 SET	\$ 95.00	Set
16-39C	Seat Belt Reinforcement Corners (4 Pc)(w rivets)	65-7	1 SET	95.00	Set
53-07B	Seat Belt Cables And Hardware Set (3 Cables)	65-7	1 SET	120.00	Set
16-39E	Shoulder Harness Nut Plates(pr) & Rivets & Plugs	66L-7	1 PR	60.00	Pair
16-40CD	x Seat Track 1 PAIR 64-66 -1 LH + 1 RH	64-6	2 PR	\$	N/A
16-40DR	Seat Track Release Rivets (pr)	64-6	2 PR	15.00	Pair
16-40E	X Mounting Bracket On Seat Track Kit (8 Legs+rivet	67	1 SET		N/A
16-40FG	x 1967 Seat Tracks pair RH w Release Lever & LH (1 PR)	67	2 PR		N/A
16-40H	Seat Track Screw & Lw Set (8 Ea)	67	1 SET	8.00	Set
16-40K	Seat Track Rivets (63) (2 Seats /set Of 16)	63	1	5.00	Set
16-41A	Seat Track Bushing SPRINGS (s.s.)(8 Pc)	63-6	1 SET	15.00	Set
16-41B	Seat Track Plastic Bushings (set Of 16)	67	1 SET	48.00	Set
16-41B1	x Seat Track Plastic Bushing (1) sets only ^	67	16		x
16-41C	Seat Track Steel Roller Wheels (1)	67	8	4.00	Each
16-41D	Seat Rear Holddown Tab (weld On)(pr)	64-6	2 PR	36.00	Pair
16-41E	Seat Track Retainers & Screws (2L+2R+ 8 SCREWS)	64-6	1 SET	20.00	Set
16-42	Seat Height Adjuster Mounting Screws & Washers	63	1 SET	6.00	Set
16-43	Seat Track Pinch Welt (4 Pc)	63	1 SET	10.00	Set
16-44A	Return Springs For Seat Adjusting Handle (6 Pc)	63	1 SET	21.00	Set
16-44B	Return Springs & Bushings For Seat Adj Handle	64-6	1 SET	21.00	Set
16-44C	Return Springs For Seat Adjusting Handle (2 Pc)	67	1 SET	10.00	Set
x16-45A	x Seat Bottom & Back Zig-zag Springs -arc,prebent 63-7		x no more		
x16-45B	x Burlap & Burlap Wires For Seat Springs/foam discontinued 63-7		x no more		
16-45C	Clips For Zig Zag Springs To Seat Back Wire (30)	63-7	1 SET	7.50	Set
16-45D	Pliers For Closing Zig Zag Clips	63-7	1	49.00	Set
16-45E	Zig Zag Spring Bending Tools (pr)	63-7	1 PR	45.00	Pair
16-45F	Hog Rings For Installing Seat Covers (100pc)		SET	5.00	Set
16-45G	x Hog Ring Pliers (for Seat Cover Installation)	63-7	1		discont.
16-45H	Black Coil Springs From Zig Zag Set (8)	63-7	1	12.00	Set
16-46	Seat Bottom Rear Crossmember (weld On)	63-6	2	17.00	Each

## SECTION 17 JACK HANDLES, JACK COMPARTMENT AREA, FLOOR PLUGS

Sec -Part#	Name	Year #	Need/Car	Price	Inc
17-01	Jack Compartment Board (add Additional \$20 Shipping On Jack Board)	63-7	1	\$ 20.00	+ship
17-02 A-C	NO MORE JACKS				<b>Not available - discontinued.</b>
17-02E	Bearing For Type I & II (1963-5) Jack	63-5	1	\$ 10.00	
17-02F	Bearing For Type III (1966-7) Jack (3 Pc Set)	66-7	1 SET	\$ 8.00	Set
17-03A	Jack Handle/ Lug Wrench (no Hole)	63-4	1	\$ 26.00	
17-03B	Jack Handle/ Lug Wrench (1 Hole)	65-6	1	26.00	
17-03C	Jack Handle/ Lug Wrench (3 Hole)	67	1	26.00	
17-04	Jack Handle Bumper	65-7	1	3.50	
17-05	Chrome Ring For Jack Board	64-7	1	7.00	
17-05A	Unplated Ring for Jack Board 63 unplated	63	1	7.00	
17-06A	Jack Hold Down Spring (single hook)	63-5E	1	8.50	
17-06B	Jack Hold Down Spring (Double Hook)	65L-7	1	8.50	
17-07	Jack Spring Brackets With Rivets (2 Bkts,4 Rivet)	63-7	1 SET	14.00	Set
17-08	Rivets & Washers (4 Ea)	63-7	1 SET	1.50	Set
17-12	Floor Plug Set (2 Large, 6 Small) Caplugs	63-7	1 SET	5.00	Set
17-13A	Luggage Metal Stop 63	63	1	\$ 59.00	
17-13B	x Luggage Metal Stop 64-66 - use C as repl	64-6	1		
17-13C	X Luggage Metal Stop 1967	67	1		N/A
17-13D	Rivets For Luggage Stop (11)	63-7	1 SET	3.00	Set
02-05F	JP Stevens Jack Board Carpet Label (give info : > Give Carpet Color, Year And Body Build Date Or Serial # (on check-out screen)	65-7	1	\$ 15.00	
02-05G	Jack Board Carpet Inspection Number Label '11'	65-7	1	2.00	

<b>Jacking Instructions - GM Licensed Repro - Jack Board labels - see section 2 for Posi ...</b>					
02-05A	Jacking Instructions (on Jack Board) (steel wheels)	63-66	1	\$3.00	Each
02-05B	Jacking Instructions (63-66 Knock Off Wheels)	63-6	1	3.00	
02-05C	Jacking Instructions (67 All)	67	1	3.00	
02-05D	Jacking Instructions (63-66 36 Gal Fuel Tank)	63-6	1	\$ 10.00	
02-05E	Jacking Instructions (63-66 36 Gal + KO Whls)	63-6	1	10.00	



No jacks x discontinued

handles bumpers springs only





Section 18 Steering Column - Directional - Horn

18-01A	Steering Wheel- 1963 colored Plastic BLACK AND TAN ONLY	63	1	\$325.00	<Steering wheels- Plastic walnut & teakwood 64-67 not avail.	18-33A	Bolts (dir. Switch Mounting) (1 Pr)	63	1	PR	0.50	Pair
18-02	Spring- Upper (65-66 Tele & 67 All)	65-7	1	5.00		18-33B	Directional Switch Mounting Screws (3 Pc)	64-6	1	SET	2.25	Set
18-03A	Steering Hub Nut And Washer (63-67 standard)	63-7	1	1.25		18-33C	Directional Switch Mounting Screws (3) x	67	1	SET		N/A
18-03B	Steering Hub Nut & Washer (65-66 Tele, 67 tele) (7/8 wrench)	65-7	1	2.00		18-34	Steering Shaft (63-66 non-tele)	63-6	1	\$	90.00	
18-04A	Horn Button 63-64	63-4	1	70.00		18-35	Steering Mast Retainer	64-6	1		18.00	
18-04B	Horn Button 65-66	65-6	1	70.00		18-36A	X Steering Coupler Lower Flange & Web (non-tele) X SEE 18-37F	63-6				
18-04C	Horn Button 65-66 Tele	65-6	1	70.00		18-36B	x Steering Coupler Lower Flange, Web, Gnd Str(all) see 18-37D	67				
18-04D	Horn Button- 67 Regular & Tele	67	1	55.00		18-36D	x Upper Flange (no Web)(standard & Tele)	63-6				
18-05A	Tele Horn Button Retaining Stand	65-6	1	25.00		>Couplers: >>> see repair kit=web,retnr,grnd,rivets.						
18-05B	Tele Horn Button Liner	65-6	1	20.00		18-37A	XComplete Coupler 63-66 STD >> SEE KIT 18-37F					
18-05C	Tele Horn Button Stand Donut	65-6	1	20.00		18-37C	X Complete Steering Coupler With Ground (65-66 tele) x no more	see kit				
18-05D	Tele Stand Screws (pr)	65-6	1	PR	1.00	18-37D	x complete Steering Coupler (67 All) ("rag joint")	67				
18-06A	Horn Contact/button Retainer (non Tele)	63-6	1	20.00		18-37E	Pin Bumpers (pr) For Steering Coupler	67	1	PR	16.00	Pair
18-06B	Horn Contact/button Retainer (non Tele)	67	1	20.00		18-37F	Coupler Web Repair Kit (63-66 std) Web,retainer,rivets & Ground Strap)	1			45.00	
18-06C	Horn Contact/button Retainer (tele)	67	1	20.00		18-37G	67 Steer Coupler Web Repair Kit(Web,retainer,rivets & Ground Strap)	1			\$	45.00
18-06D	Horn Contact/stand Retainer (tele)	65-6	1	20.00		18-37H	Steering Coupler Web Repair Kit 65-6 Tele with Web,retainer,rivets & Ground	1			\$	45.00
18-07A	Horn Contact Screws (3 Pc)(exc 65-6 Tele)	63-7	1	SET	1.50	18-38	Flange Screw (12 pt) (replmt/not recessed)(1)	63-7	2		2.50	Each
18-07B	Horn Contact Screws (tele)(3 Pc)	67	1	SET	1.75	18-39	Tele Lower Bearing	65-6	1		20.00	
18-07C	Tele Stop Pin & Horn Contact Screws (1+2)	65-6	1	SET	8.50	18-40	Tele Lower Bearing Felt	65-6	1		2.00	
18-07D	Tele Stop Pin Bumper	65-6	1		0.50	18-41	Tele Lower Bearing Washer	65-6	1		8.00	
18-08A	Horn Contact Spring (brush Assembly)(non Tele)	63-6	1		15.00	18-42	Tele Bearing Clip (lower & Upper)(3/4")	65-6	3		2.00	Each
18-08B	Horn Contact Spring & Pin	67	1		10.00	18-43	Tele Lower Spring	65-6	1		10.00	
18-08C	Tele Horn Contact Spring	65-6	1		5.00	18-44	Tele Upper Bearing	65-6	1		20.00	
18-09	Tele Horn Contact Shim	67	1		4.00	18-45A	Steering Mast Lower Support	63-6	1		25.00	
18-10	Tele Horn Contact Spacer	67	1		15.00	18-45B	Steering Mast Lower Support & Clamp W/screw & Fw	67	1		35.00	
18-11A	Tele Lock Wheel	65-6	1		65.00	18-45C	Steering Column Seal	63-7	1		5.00	
18-11B	Tele Lock Wheel	67	1		65.00	18-45D	Steering Mast Support Bolts (pr) (E)	63-7	1	PR	2.00	Pair
18-12A	Tele Star Screw	65-7	1		25.00	18-46	steering mast CLAMP & BOLT	63-6	1		13.00	
18-12B	Tele Stop Rod	65-6	1		5.00	18-47A	Steering Mast Clamp Bolt	63-6	1		2.00	
18-12C	Tele Stop Rod	67	1		5.00	18-47B	Steering Mast Clamp Bolt & Lw	67	1		0.75	
18-13	X Tele Star Screw Retaining Screws (pr) X N/A	65-7	1	PR	N/A	18-48	Steering Box Bolts, Nuts & Lw (3 Ea)(repl coarse full thread)	63-7	1	SET	14.00	Set
18-14	Steering Wheel Screws (6 Pc)	63-7	1	SET	3.00	18-49	Steering Box Cover Gasket	63-7	1		3.75	
18-15A	X Steering Wheel Hub (63-66 non Tele) X NO MORE/DISCONTIN	63-6	1		N/A	18-49C	Bolts Only (3) For Steering Box Cover	63-7	1		3.00	
18-15B	Steering Wheel Hub (65-6 Tele)	65-6	1		140.00	18-50A	Horn Wire S-clips (4 Small + 1 Large)	63-5	1	SET	6.00	Set
18-15C	Steering Wheel Hub (67 all)	67	1		140.00	18-50B	Horn Wire S-clips (1 Small+1 Large)	66-7	1	PR	4.50	Pair
18-16A	Directional Handle & Knob	63	1		22.50	18-51A	Horn Relay (replacement)	63-5	1		36.00	
18-16B	Directional Handle & Knob	64-6	1		22.50	18-51B	Horn Relay (replacement)	66-7	1		45.00	
18-16C	Directional Handle & Knob	67	1		22.50	18-51C	Horn Relay Mounting Bolt	63-7	1		0.75	
18-17A	Directional Handle Bolt	64-6	1		0.50	18-51D	Plug For Horn Relay	63-5	1		2.00	
18-17B	Directional Handle Bolt	67	1		0.50	18-52	Steering Jacket Wedge And Screw	63	1		8.00	
18-18A	Directional Canceling Cam	63	1		16.00	18-53A	RH Horn Mounting Bracket- A/C only (with Rivets)	66-7	1		10.00	
18-18B	Directional Canceling Cam (64-66 non Tele)	64-6	1		16.00	18-53B	Ground Screw For RH Horn With A/c	63-7	1		0.95	
18-18C	Directional Canceling Cam (65-66 tele)	65-6	1		33.00	18-54	63 Turn Signal Metal Ring (with Pawls & Spring)	1		89.00		
18-18D	Directional Canceling Cam (67 reg/non tele)	67	1		26.00	18-55	Directional Plate Screw	63	1		9.75	
18-18E	Directional Canceling Cam (67-68 Tele)	67-8	1		33.00	18-56	Directional Roller	63	1		5.00	
18-19	Directional Cam Screws W Att Lw (2)	63-7	1	SET	1.50	18-57	Directional Roller "w-shape" Spring	63	1		14.00	
18-20A	Directional Switch (1963 on column)	63	1		35.00	18-58A	Directional Cable 1963	63	1		49.00	
18-20B	Directl Switch & Harness (with Bearing 21b)(USA)	64-6	1		69.00	18-58B	Directional Cable Mounting SCREW	63	1		0.50	
18-20C	Directional Switch & Harness (67Reg & Tele)(USA) (no bearing)	67	1		90.00	18-59A	Horn Mounting Bolt Set (WB)	63-5	1	SET	1.50	Set
18-20D	Directional Switch & Harness(tele)(w Bearing)USA	65-6	1		140.00	18-59B	Horn Mounting Bolt Set (L Hdmk)	66-7	1	SET	1.50	Set
18-20E	Direct Switch Metal Reinforcement Plate, Tele (not included in switch)	65-6	1		20.00	18-61	Horns-pair (good Repro W "Delco-Remy Made In USA"/imported	64-7	1		165.00	Pair
18-20F	Clip For Direction Plug To Column Mast	64-6	1		15.00	18-61AB	Replacement Horn pair / 1 low/LH + 1 high/ RH) diff shpe	63-7	1		56.00	Pair
18-21A	Upper Steering Bearing/horn Contact	63	1		29.00	18-62A	Horn Repair Kit ( Gaskets And Rivets For 2 orig Horns)	63	1	KIT	32.00	Kit
18-21B	Upper Steering Bearing (non Tele)	64-6	1		20.00	18-62B	x Horn Repair Kit (Rivets,gaskets+metal diaphragms) see 18-62c	64-7	1	KIT		x
18-21C	Upper Steering Bearing	67	1		20.00	18-62C	Horn Repair Kit (does 2 Horns)(no Diaphragm)	64-7	1		25.00	
18-21D	Wave Washer,Thrust Washer & Clip For Upper Bearing std/tele	67	1	SET	8.50	18-63	Directional Arm Plastic Shield	67	1		3.50	
18-22	Directional Switch Repair Plate	64-6	1		12.00	18-64	Directional Switch Plastic Cover	67	1		6.50	
18-23A	X Directional Switch Repair Plate (tele)	65-6	1		N/A	18-65	Steering Column Sleeve	63	1		7.00	
18-23B	Directional Repair Plate O-ring	64-6	1		0.50	18-66A	Steering Column Mounting Bracket Under Dash	63	1		30.00	
18-24A	Tele Column Mounting Bracket	65-6	1		25.00	18-66B	Steering Column Mounting Bracket Under Dash	64-6	1		30.00	
18-24B	Mounting Screws & Nuts For Tele Column Bracket	65-6	1	SET	4.25	18-66C	Steering Column Mounting Bracket Screws & Nuts	63-6	1	SET	2.75	Set
18-25A	Lower Steering Shaft Spring	63-6	1		5.50	18-66D	Steering Column Mounting Bracket Screws & Nuts(4)	67	1	SET	550	Set
18-25B	Lower Steering Shaft Spring (67Late Tele)	67L	1		5.00	18-67A	Steer Column & Odometer Cable Support Under Dash	63	1		30.00	
18-25C	Lower Steering Shaft Spring (all Exc 67L Tele)	67	1		5.00	18-67B	Steer Column & Odometer Cable Support Under Dash(non Tele)	64-6	1		30.00	
18-26A	Lower Steering Shaft Spring Spacer	63-6	1		3.75	18-68	Steering Column "U"bolt Under Dash (with Nuts)	63-6	1		22.00	
18-26B	Lower Steering Shaft Spring Spacer (67L Tele)	67L	1		4.50	18-69A	Lower Steering Column Plastic Collar (spacer)	67E	1		20.00	
18-27A	Steering Mast (tube)	63	1		75.00	18-69B	Lower Steering Column Plastic Collar (spacer)	67L	1		50.00	
18-27B	Steering Mast (tube)	64-6	1		75.00	18-70	Steering Col Mounting Bolt & Washer Set (TR)(3)	67	1	SET	4.75	Set
18-27C	Steering Mast (Tube, Cap & Bushings)(65-6 Tele)	65-6	1		95.00	18-71A	Traffic Hazard Button(Long Chrome)(until #9,000)	67	1		20.00	
18-27D	Tele Lower Bearing Retainer Cap & Screws N/A	65-6	1		N/A	18-71B	Traffic Hazard Button(short Chrome)(after #9000)	67-8	1		20.00	
18-27E	Brass Stop Bolt (on Tele Mast)	65-6	1		5.00	18-72A	Steering Box Rebuild Kit(54 Balls,2 Bearing Asy, 2 Seals,1 Gasket... 63-7	kit			70.00	Kit
18-27F	Lower Steering Bearing Retainer & Screws	67	1		15.00	18-72B	Steering Box Pittman Shaft Seal (in Kit 72A)	63-7	1		9.00	
18-27G	Plastic Cover For Lower Tube, 67 Tele x	67-8	1		N/A	18-72C	Steering Box Worm Shaft Seal (in Kit 72a)	63-7	1		10.00	
18-28	x 1967 Upper Jacket (2 Pc)	67	1	PR	n/a	18-72D	Steering Box Worm Shaft Races (in Kit 72a)	63-7	1	PR	20.00	Pair
18-29	Jacket Screws (2 Pc)(for Orig Jacket)	67	1	PR	1.00	18-72E	Soft Plug For Steering Box End (in Kit 72a)	63-7	1		3.00	
18-30A	Lower Steering Bearing (reg Column)	63-6	1		20.00	18-73A	Directional Wire Protector & Retainer Pin	64-6	1		19.00	
18-30CR	Lower Steering Bearing (stepped)(repro) (67 Early= Through Feb 1967) 67E	67E	1		69.00	18-73B	X Directional Wire Protector (tele)	65-6	1		N/A	
18-30D	Lower Steer Bearing(Straight Design/replacement(+67-8 Tele All)	67Lstd	1		55.00	18-73C	Directional Wire Protector- 67 Non Tele (metal)	67	1		20.00	
18-31	Lower Steering Bearing Housing	63-6	1		10.00	18-73D	Directional Wire Protector- 67 TELE (metal)	67	1		35.00	
18-32A	Lower Steering Shaft Spring Clamp(with Bolt,nut)	63-6	1		12.00	18-73E	Screws For Tele Wire Protector (pr)	67	1	PR	1.00	Pair
18-32B	Lower Steering Shaft Spring Clamp(with Bolt,nut)	67L	1		10.00	18-75	Inner Shaft Damper Spring And Spacer- Tele	65-6	1	SET	6.00	Set
18-32C	Lower Steering Shaft Retainer (1" O-clip)	67E	1		3.00							
18-32D	Lower Steering Shaft Retainer Washer	67E	1		5.00							

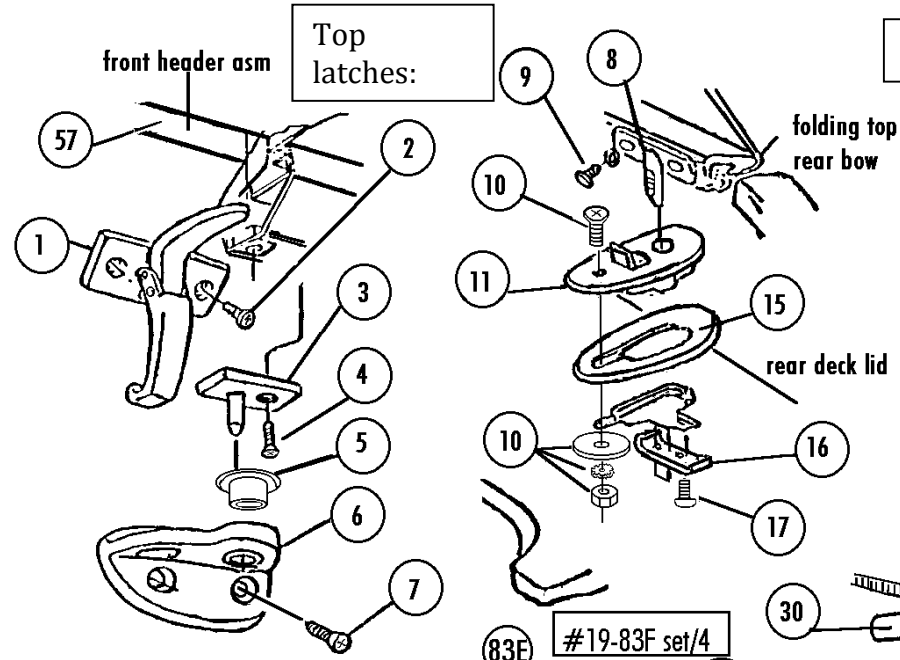
Couplers> ltd qty

<switches no rtns/elect

Horn

Discontinued See rebuild kits

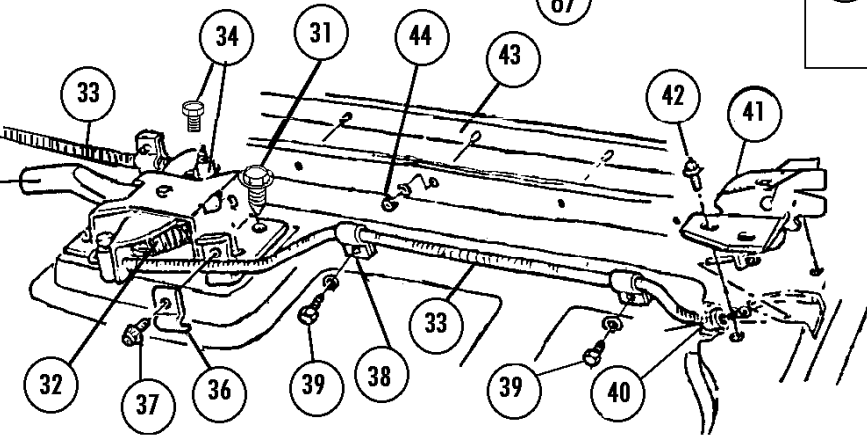
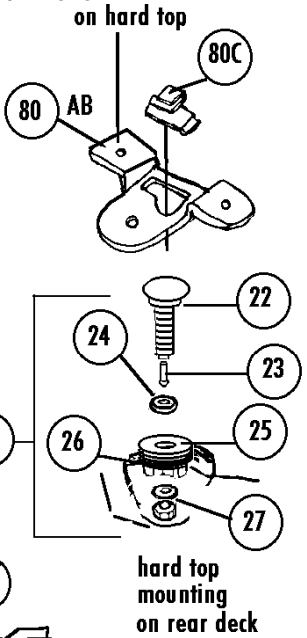
Section #19 Convertible & Hardtop: Latches, Convert & Coupe Rear Deck Areas, Coupe Vent Grills, Pinchwelt, Headliners



LH/ left = driver's

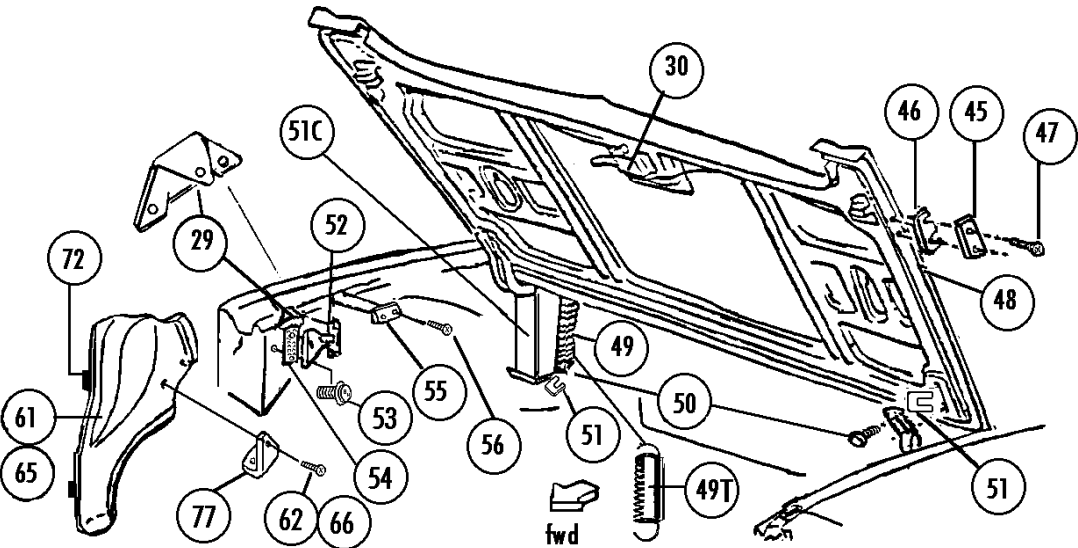
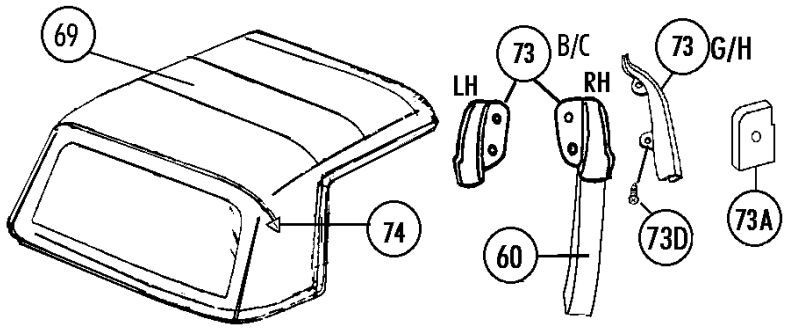
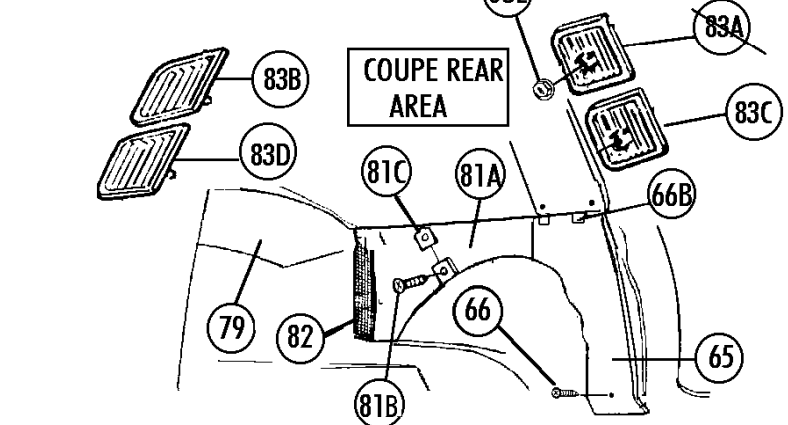
Hardtop rear and side:

hard top side mounting



COUPE REAR AREA

#19-83F set/4





## Section #19 Convertible & Hardtop:Latches, Convert & Coupe Rear Deck Areas , 64-65 Cpe Vent Grills, Pinchwelt, Headliners

Sec- Part#	Name	Year	#Need /Car	Price Inc
19-01A	Front Top Latch (LH)(hard top Or soft top)	63-7	1	132.00
19-01B	Front Top Latch (RH) (hard top Or soft top)	63-7	1	132.00
19-02	Top Latch SCREWS (4 Pc)	63-7	1 SET	6.00 Set
19-03A	Front Guide Pin (Soft Top-Front)(pr)	63-7	1 PR	25.00 Pair
19-03C	Front Guide Pin (Hard Top-Front)(pr)	63-7	1 PR	25.00 Pair
19-04A	Guide Pin Screw & Lw (soft top)(2 Ea)	63-7	1 SET	3.00 Set
19-04B	Guide Pin Screw & Lw (hard top)(2 Ea)	63-7	1 SET	1.50 Set
19-05A	Plastic Top Pin Bushings (.67"od)(pr)	63-7	1 PR	4.50 Pair
19-06	Front Striker Assembly (with Bushings) (pr)	63-7	1 PR	42.00 Pair
19-07	Top front Striker SCREWS (4 Pc)	63-7	1 SET	6.00 Set
19-08A	Rear Soft Top Guide Pin LH	63-7	1	30.00
19-08B	Rear Soft Top Guide Pin RH	63-7	1	30.00
19-09	Rear Pin Screw & Washer (4 Ea) (soft Top)	63-7	1 SET	3.00 Set
19-10	Lock Screw, Lg Flat Washer, Lw, Nut (pr)(for #11	63-7	1 SET	4.25 Set
19-11	Soft Top Rear Deck Lock (1) USA ! GM resto	63-7	2	\$ 105.00 Each
19-15A	Rear Deck Lock Gaskets, Rubber (pr)	63	1 PR	6.00 Pair
19-15B	Rear Deck Lock Gaskets, Plastic (pr)	64-7	1 PR	5.00 Pair
19-16	Rear Deck Lock Clamp	63-7	2	7.50 Each
19-17	Clamp Screws With Attached Lw (4)	63-7	1 SET	2.00 Set
19-18	Hardtop Side Retainer Nut (2)	63-7	1 PR	1.00 Pair
19-19	Hardtop Side Retainer Rubber Washers (2)	63-7	1 PR	1.25 Pair
19-20	Hard Top Side Retainer (2)	63-7	1 PR	12.00 Pair
19-21	Hardtop Side Retainer Bolts (2)	63-7	1 PR	9.00 Pair
19-67>	Hardtop Side Mount Set (2 Ea#18-19-20-21)	63-7	1 SET	23.00 Set
19-68>	Hardtop Rear Mt Set (2 Ea#22-23-24-25-26-27)	63-7	1 SET	19.00 Set
19-22	Hardtop Rear Bolts (2)	63-7	1 PR	\$ 6.00 Pair
19-23	Hardtop Rear Bolt Bumper (2)	63-7	1 PR	2.25 Pair
19-24	Hardtop Rear Bolt Rubber Washers (2)	63-7	1 PR	1.00 Pair
19-25	Hardtop Bezel In Rear Deck (2)	63-7	1 PR	10.00 Pair
19-26	Hardtop Bezel Rubber Washers (2)	63-7	1 PR	1.00 Pair
19-27	Rear Bolt Nuts & Washers (2 + 2)	63-7	1 SET	1.00 Set
19-29	Deck Lid Strikers With Rivets (2 + 4 rivets)	63-7	1 SET	15.00 Set
19-30	Latch Release Mechanism	63-7	1	49.00
19-31	Deck Latch Release SCREWS (4 Pc)	63-7	1 SET	4.00 Set
19-32	Deck Latch Release SPRING	63-7	1	5.50
19-33	Rear Deck Latch Cable (with Loop)	63-7	2	9.00 Each
19-34	Cable Retainers & Screws (2 Ea)	63-7	1 SET	5.50 Set
19-36	Cable Clamps(on Deck Lid Release #19-30)(2)	63-7	1 PR	9.00
19-37	Cable Clamp Screw (pr)	63-7	1 PR	1.00 Pair
19-38	Cable Clamps (4 Pc) (rear deck cable)	63-7	1 SET	4.00 Set
19-39	Cable Clamp Bolts (4 Pc) (E Hdmk)	63-7	1 SET	3.00 Set
19-40	Cable Grommets (2) (for rear deck cable)	63-7	1 PR	1.50 Pair
19-41	x Latch Assembly (1), (rear deck) x discontinued.	63-7	2	n/a
19-42	Latch Bolts (6 Pc) (E Hdmk) (rear deck latch)	63-7	1 SET	5.50 Set
19-43A	Deck Lid Vinyl Trim W Hardware (give Year/color)	63-4	1	120.00
19-43B	Deck Lid Vinyl Trim W Hardware (give Year/color)	65-7	1	115.00
> we don't stock all colors - could be 2-3 weeks 2021. ^^				
19-44A	Nuts & Washers (11) for original deck vinyl	63-4	1 SET	7.00 Set
19-44B	Nuts & Washers (9) for original deck vinyl)	65-7	1 SET	7.00 Set
19-44C	Nuts & Washers (reprod deck vinyl)(11 Ea)	63-4	1 SET	7.00 Set
19-44D	Nuts & Washers (repro deck vinyl)(9 Ea)	65-7	1 SET	6.50 Set
19-45	Metal Wedges On Deck Lid (2)	63-7	1 PR	19.00 Pair
19-46	Shim For Wedge On Deck Lid	63-7	-	3.00 Each
19-47	Wedge Screws (4 Pc) (deck lid )	63-7	1 SET	2.50 Set
19-48	Rear Lid Weatherstrip (see Sect 42-14) see section 42 for all weatherstrips			
19-49	Deck Lid Spring (1)	63-7	2	9.00 Each
19-49T	X Installation Tool For Deck Lid Spring - NO MORE	63-7	1	N/A
19-50	Deck Lid Hinge Bolts- Top & Bottom (8+2 Pc)	63-7	1 SET	5.00 Set
19-51	Shim (1) for Deck Lid Hinge (1/16")	63-7	-	0.50 Each
19-51B	Lower spring Retainer,Rear Rdstr Deck Lid (pr)	63-7	1 PR	28.00 Pair
19-51C	Deck Lid Hinge Lower Support Repair Piece W 51b	63-7	2	45.00 Each
19-52	Deck Lid Catch On Body	63-7	2	20.00 Each
19-53	Deck Lid Catch Bolts (8 Pc) (E Hdmk)	63-7	1 SET	10.00 Set
19-54	Antiskid Shim For Deck Lid Catch (4 Pc)	63-7	1 SET	22.00 Set
19-55	Plastic Lid Wedge On Body (pr)	63-7	1 PR	19.00 Pair
19-56	Wedge Screws (4 Pc)	63-7	1 SET	2.50 Set
19-57A	x Soft Top Metal Front Header Bar x no more.	63-7	1	n/a
19-57B	Soft Top Front Header Bar Screws (2+2)	63-7	1 SET	6.00

Sec- Part#	Name	Year	#Need /Car	Price Inc
19-58	Soft Top Mounting Bolts (ELH Headmark)(4 Pc)	63-7	1 SET	11.00 Set
19-59	Hard Top Side Brackets (pr)(weld To HT)	63-7	1 PR	25.00 Pair
19-60A	63 Pinchwelt- Correct Width & Grain- Black Only	63	1 PR	\$ 24.00 Pair
19-61	Roadster Quarter Trim Panels (pr) (fiberglass)	63-7	1 PR	215.00 Pair
19-62A	Roadster Quarter Panel Trim Screws (4+2)	63-4	1 SET	6.00 Set
19-62B	Roadster Quarter Panel Screws (4 + 2 +2)	65-7	1 SET	6.00 Set
19-72	Roadster Rear Quarter Trim Panel Bumpers (6 Pc)	64-7	1 SET	\$ 4.00 Set
19-63	Convertible Top Rear Metal Bow x	63-7	1	N/A
19-63B	Soft Top Rear Bow Screws (4)	63-7	1 SET	6.00 Set
19-65	Coupe Quarter Trim Panel-(pr) SEE NEXT PAGE FOR COLORS/#S	63-7	1 PR	115.00 Pair
>>>> SEE BELOW NEXT PAGE FOR COLORS/NUMBERS ... * only have certain colors in stock.				
19-66A	Coupe Rear Quarter Trim Panel Bolt Set (8 Pc)	63-7	1 SET	5.00 Set
19-66B	Clips(coupe Rear Quarter Panel To Dome Panel)(4)	63-7	1 SET	15.00 Set
19-67>	Hardtop Side Mount Set (2 Ea#18-19-20-21)	63-7	1 SET	23.00 Set
19-68>	Hardtop Rear Mt Set (2 Ea#22-23-24-25-26-27)	63-7	1 SET	\$ 20.00 Set
<b>Convertible Tops: we are selling these off: &gt;only have tan &lt;</b>				
19-69A	Convertible Top (with Pads & Straps) X XXX WE DON'T SELL.			
19-70B	Rear Bow Strap Protectors (2) & Screws (4)	63-7	1 SET	14.00 Set
19-71A	Convert Top Tacking Strip Kit(replacement/vinyl)	63-7	1 SET	18.00 Set
19-71B	Convert Top Tacking Strip Deluxe Kit(fiber/orig type/cardboard/fiber/felt)	63-7	1 KIT	56.00 Kit
19-72	Roadster Rear Quarter Trim Panel Bumpers (6 Pc)	64-7	1 SET	\$ 4.00 Set
19-60A	63 Pinchwelt- Correct Width & Grain- Black Only	63	1 PR	24.00 Pair
19-73A	Roadster- Pinchwelt Cap With Bolt & Nut	63	2	49.00 Each
19-73B	Coupe Pinchwelt Cap (2 Hole)(LH)(til May 63)	63	1	25.00
19-73C	Coupe Pinchwelt Cap (2 Hole)(RH)(til May 63)	63	1	25.00
19-73D	Coupe Pinchwelt Cap Screws (4 Pc)	63-7	1 SET	3.00 Set
19-73E	Coupe Pinchwelt Cap (1 Hole)(LH)(june 63)	63L	1	30.00
19-73F	X Coupe Pinchwelt Cap (1 Hole)(RH)(june 63)	63L	1	N/A
19-73G	Coupe Pinch Welt Cap LH * see K pairs only	64-7	1	
19-73H	Coupe Pinch Welt Cap (RH) *** see K pairs only	64-7	1	
19-73J	Screw & Barrel Nut (for Rdster pinch Welt Cap)	63	2	5.00 Each
19-73K	Coupe Pinch Welt Caps (L+R) 64-67 pairs only	64-7	1 pr	110.00 pair
19-74	Convertible Top Welting Tips & Screws (correct)	63-7	1 PR	11.00 Pair
>HEADLINERS: not selling /				
19-75E	Molding Clips Over Door On Coupe (1)	64-7	2	8.00 Each
<b>QUARTER PANELS - panel behind seats:</b>				
19-65	Coupe Quarter Trim Panel-(pr)specify Year/color	63-7	1 PR	115.00 Pair
19-66A	Coupe Rear Quarter Trim Panel Bolt Set (8 Pc)	63-7	1 SET	4.00 Set
19-66B	Clips(coupe Rear Quarter Panel To Dome Panel)(4)	63-7	1 SET	15.00 Set
19-77A	Coupe Rear Quarter Trim Panel Supports & Rivets	63	1 SET	20.00 Set
19-77B	Coupe Rear Quarter Trim Panel Supports & Rivets	64-5	1 SET	25.00 Set
19-77C	Coupe Rear Quarter Trim Panel Supports & Rivets	66-7	1 SET	20.00 Set
19-77D	Coupe Rear Quarter Trim Panel U-nuts (5)	63-7	1 SET	2.50 Set
19-78A	Roadster Rear Quarter Panel Supports & Rivets	63-7	1 SET	20.00 Set
19-78B	Roadster Rear Quarter Trim Panel U-nuts (4)	63-7	1 SET	2.75 Set
19-79A	Coupe Rear Upper Interior Vinyl Trim	63-4	1	24.00
19-79B	Coupe Rear Upper Interior Vinyl Trim	65-7	1	24.00
(specify Year & Interior Color on checkout screen				
19-79C	Upper Rear Window Vinyl Trim Strips (use With A)	63	1 SET	24.00 Set
19-80A	Hardtop Rear Bolt Keyhole Bracket & Rivets(LH)	63-7	1	25.00
19-80B	Hardtop Rear Bolt Keyhole Bracket & Rivets(RH)	63-7	1	25.00
19-80C	Hardtop Rear Bolt Spring Retainer (in Keyhole)	63-7	2	12.50 Each
(19-80aorb Must Be Removed To Install 19-80c)				
19-80D	Rivets (6) for Hardtop Rear Bolt Keyhole Bracket	63-7	1	1.50 set
<b>64-65 Rear Blower and Vent Grill Sets</b>				
19-81A	Coupe Rear Vent Cardboard Cover (glue To Carpet)	64-5	1	18.00
19-81B	Coupe Rear Vent Cover Screws	64-5	1 SET	3.00 Set
19-81C	Coupe Rear Vent Cover U-nuts (4)	64-5	1 SET	1.40 Set
19-82	Coupe Rear Vent Wire Screen	64-5	1	12.50
19-83B	Vent Grill- Coupe Side (upper RH) only a few	64-5	1	80.00
19-83D	Vent Grill- Coupe Side (lower RH) only a few	64-5	1	80.00
19-83E	Screws & Nuts For Vent Grills (2 & 2)	64-5	1 SET	1.50 Set
19-83F	x Vent Grill Set (64-65 Coupe) (4 PC set w hardware) see b/d	64-5	1 SET	.NO MORE

#19-65 COUPE QUARTER TRIM PANELS - COLORS IN STOCK -- NEW #S FOR COLORS

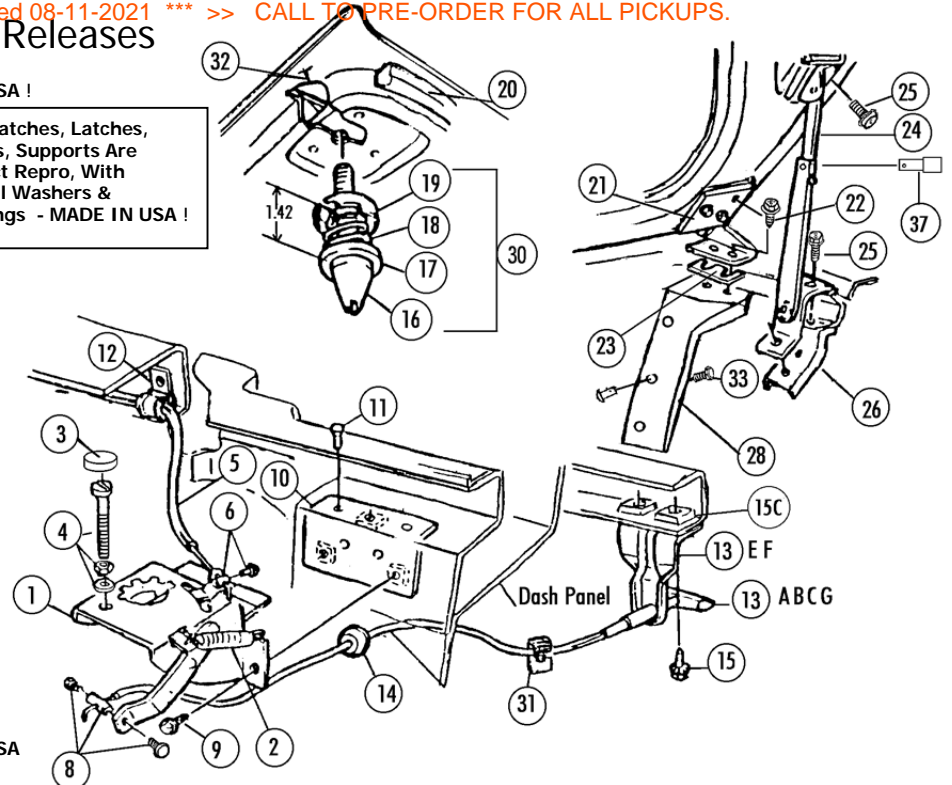
19-65A	Coupe Quarter Trim Panel (pr) 63 BLACK	63	1	\$ 115.00
19-65B	Coupe Quarter Trim Panel (pr) 63 RED	63		115.00
19-65C	x Coupe Quarter Trim Panel (pr) 64 BLACK	64	n/a	
19-65D	Coupe Quarter Trim Panel (pr) 64 RED	64		115.00
19-65E	Coupe Quarter Trim Panel (pr) 64 TAN	64		115.00
19-65F	Coupe Quarter Trim Panel (pr) 64 WHITE	64		115.00
19-65G	Coupe Quarter Trim Panel (pr) 65 BLACK	65	1	115.00
19-65H	Coupe Quarter Trim Panel (pr) 65 RED	65		115.00
19-65J	Coupe Quarter Trim Panel (pr) 65 TAN	65		115.00
19-65K	Coupe Quarter Trim Panel (pr) 65 MAROON	65		100.00
19-65L	Coupe Quarter Trim Panel (pr) 65 BRT BLUE	65		115.00
19-65M	Coupe Quarter Trim Panel (pr) 66-67 BLACK	66-67		115.00
19-65N	Coupe Quarter Trim Panel (pr) 66-67 RED	66-67		115.00
19-65Q	Coupe Quarter Trim Panel (pr) 66-67 BRT BLUE	66-67	1	115.00
19-65R	Coupe Quarter Trim Panel (pr) 67 TEAL	67		115.00
19-65S	Coupe Quarter Trim Panel (pr) 66-67 WHITE	66-7		115.00
19-65T	Coupe Quarter Trim Panel (pr) 1963 DARK BLUE	63		115.00

>>> THESE ARE THE COLORS WE HAVE IN STOCK - <<<

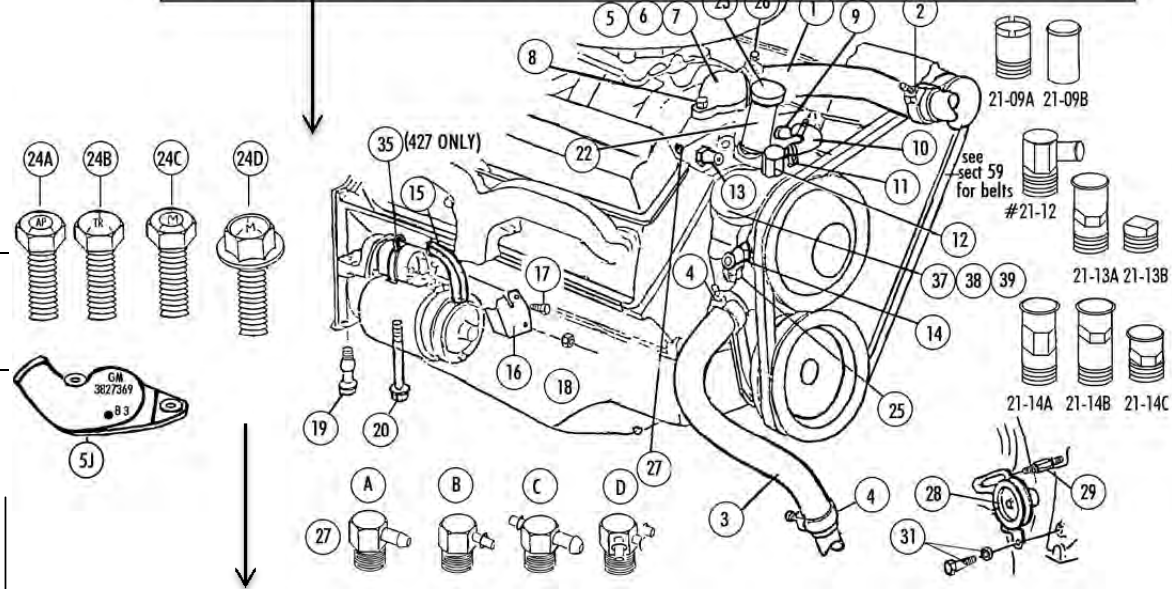
# Section 20 Under Hood: Latches, Catches, Cables, Hood Releases

Part#	Name	Year	#Need/Car	Price
<b>&gt; Catches, Latches, Hinges, Supports Are Correct Repr, With Special Washers &amp; Markings - MADE IN USA !</b>				
20-01A	Hood Catch LH (with lever)(comes With 2,3,4)	63-4	1	\$ 52.00
20-01C	Hood Catch RH (comes With 2,3,4)	63-4	1	52.00
20-01B	Hood Catch LH (with lever) (comes With 2,3,4)	65-7	1	52.00
20-01D	Hood Catch RH (comes With 2,3,4)	65-7	1	52.00
20-02	Hood Catch Springs (2)	63-7	1 PR	7.00 Pair
20-03	Hood Bumpers (with Part Number,indent) (2)	63-7	1 PR	3.00 Pair
20-04	Bolt, Nut & Washer (2 Ea)(for Hood Bumper)	63-7	1 SET	2.00 Set
20-05	<b>Hood Cable</b> (catch To catch)	63-7	1	7.00
20-06	<b>Cable Retainers</b> & Bolts (short)(2 Ea)	63-7	1 SET	5.50 Set
20-08	Cable Long Retainer (1) & Bolts (2)	63-7	1 SET	4.50 Set
20-09	Hood Catch Bolts (6 Pc) (E Headmark)	63-7	1 SET	5.50 Set
20-10	Hood Catch Nut Plate (with Rivets)	63-7	2	12.50 Each
20-11	Catch Bracket Rivets (8 Pc)	64-7	1 SET	2.00 Set
20-12	<b>Wire J-clip</b> (1)	63-7	16	2.50 Each
20-12B	J-clip & Rivet On Hood Surround Lip (pr)	63-7	1 PR	5.00 Pair
20-13A	<b>Hood Release Handle, wire &amp; Bracket (non-A/C)</b>	63-6	1	65.00
20-13B	67 Hood Release Handle, Wire & Bracket assembly	67	1	39.00
20-13C	Hood Release Handle, wire & Bracket (63-66 air cond)	63-6	1	70.00
20-13G	x Hood Release HANDLE ONLY (no wire) w set screw	63-6	1	n/a
20-14	Hood Release Grommet	63-7	1	0.75
20-15A	Hood Release Mtg Bolts (pr) (E Hdmk)	63-6	1 PR	2.00 Pair
20-15B	Hood Release Mtg Bolts (pr)	67	1 PR	1.50 Pair
20-15C	X A/C Hood Release Nut Plate (rectangle nutplate)	63-6	1	n/a
<b>20-30 &gt;</b>	<b>Hood Pin Set (2 Ea #16,17,18,19)</b>	<b>63-7</b>	<b>1 SET</b>	<b>49.00 Set</b>
20-16	Hood Pin (correct Length)	63-7	2	13.50 Each
20-17	X Hood Pin Spring Retainer > IN SET ONLY #20-30	63-7	2	
20-18	Hood Pin Spring	63-7	2	5.00 Each
20-19	Hood Pin Retainer (seat)	63-7	2	9.00 Each
<b>&gt; Catches, Latches, Hinges, Supports Are Correct Repr, With Special Washers &amp; Markings - MADE IN USA</b>				
20-21	Hood Hinge , 1 pair USA with logos, spl washer...	63-7	1 pr	60.00 PAIR
20-21A	see pr. <b>Hood Hinge</b> (LH)(USA)(WITH LOGOS,SPL WASHER ETC.)	see pair	20-21	
20-21B	Hood Hinge (RH)(USA)(WITH LOGOS,SPL WASHER ETC.)	63-7	1	30.00 reduced
20-22	Hood Hinge Mounting Bolts (10 Pc) (E Headmark)	63-7	1 SET	7.50 Set
20-23A	Hood Hinge Shim- Thin (1/32" Thick) (1)	63-7	2+	3.00 Each
20-23B	Hood Hinge Shim- Thick (1/16" Thick) (1)	63-7	2+	3.00 Each
20-24	<b>Hood Support</b> (with logos, correct washers)	63-7	1	40.00
20-25	Hood Support Bolt Set (2+2) Anchor & E hdmks	63-7	1 SET	5.75 Set
20-26	Support Reinforcement With Rivet	63-7	1	13.00
20-27	Hood Support Nut Plate Inside Hood	63-7	1	20.00
20-28A	<b>Hinge &amp; Radiator Reinforcement</b> & Rivets (LH)	63-7	1	19.00
20-28B	Hinge & Radiator Reinforcement & Rivets (RH)	63-7	1	19.00
20-30	>Hood Pin Set (2 Ea #16,17,18,19)	63-7	1 SET	49.00 Set
20-31	<b>Clip- Hood Release Cable/vent Cable</b> (non A/C)	63-6	1	6.00
42-08	Hood Ledge Weatherstrip	63-7	1	10.00
20-32	Pins for 1967 Hood Weatherstrip (metal)(pr)	67	1 PR	3.50 Pair
20-33	Radiator Support Bolts & Lw (4 Ea) (WB)	63-7	1 SET	3.00 Set
20-34A	Hood Alignment Block On Hood- Plastic -see set 20-34C	63	2-4	N/A
20-34B	Hood Alignment Block On Body (metal) > LAST SINGLE	63	2-4	39.00 Each
<b>20-34C</b>	<b>Hood Alignment Block Set</b> (2 Upper+2 Lower)	63	1or2	90.00 Set
20-35	Hood Block Bolts & Washers(EL Headmark)(16 Ea)	63	1 SET	25.00 Set
20-36	Hood Block Fiberglass Reinforcements (pr)	63	1 PR	88.00 Pair
20-37	Hood Support Pin (prevents Hood Closing In Wind)	63-7	1	10.00

**Our Catches, Latches, Hinges, Supports Are Correct Repr, With Special Washers & Markings - MADE IN USA !**



## Section 21 Engine Fittings, Rad Hoses, Bypass Hoses Water Pump mtg/ Rebuild kits, Starter Mounting, Intake Bolts, fittings, Idler



Section 21 Engine: Radiator Hoses, Fitting, Oil Tubes, Water Pump Kits, Vacuum Fittings, Intake bolts, fittings, gaskets Starter Mounting, Idler Etc

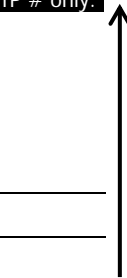
Section 21 Engine: Radiator Hoses •Therm Housing •Oil Fill Tubes •Water Pumps•Intake Bolts, Gaskets, Vacuum Fittings, Starter Braces



Section 21 Engine: Radiator Hoses • Therm Housing • Oil Fill Tubes • Water Pumps • Intake Bolts, Gaskets, Vacuum Fittings, Starter Braces

copyright 2021 licorvette.com 1800.466.6367 2018 - 2021 updated 08-11-2021 \*\*\* CALL TO PRE-ORDER FOR ALL PICKUPS

Sec-Part#	Name	Year	#Need	Car Price Inc
<b>&gt;Radiator Hoses (UPPER HOSES HAVE BLUE STRIPE (except 1c 396 = no stripe &amp; 21-01P # only.</b>				
21-01C	Upper Radiator Hose (396 Early) Before #16000	65	1	\$ 35.00
21-01D	Upper Radiator Hose (396 Late Or L88) 396 after #16000	65+7	1	43.00
21-01H	Upper Rad Hose with Blue Stripe (340-375 HP)	63-4	1	35.00
21-01J	Upper Rad Hose with Blue Stripe (327/350-375 HP)	65	1	35.00
21-01K	Upper Rad Hose with Blue Stripe (66-67 427)	66-7	1	40.00
21-01L	Upper Rad Hose with Blue Stripe, 63-5 250-300 HP(no a/c)	63-5	1	33.00
21-01M	Upper Rad Hose with blue Stripe 66-67 300 Hp	66-7	1	33.00
21-01N	Upper Rad Hose, Blue Stripe 66-67 327/350hp	66-7	1	35.00
21-01P	Upper Rad Hose 63-5 250-300hp with A/C (X NO BLUE STRIPE)	63-5	1	40.00
21-02	Upper Radiator Hose Clamps(pr)(all)(dated) (give Date Or Yr/serial # (1st And 3rd Quarter) - enter date info on checkout screen	63-7	1 PR	18.00 Pair
21-03A	Lower Radiator Hose, 63-65 327	63-5	1	44.00
21-03B	Lower Radiator Hose (396 Or L88)	65+7	1	\$ 39.00
21-03C	Lower Radiator Hose, 66-67 327	66-7	1	38.00
21-03D	Lower Radiator Hose, 66-67 427	66-7	1	38.00
21-04A	Lower Radiator Hose Clamps (327/427)(dated) (give Date Or Yr/serial # 1st And 3rd Quarter)	63-7	1 PR	18.00 Pair
21-04B	Lower Radiator Hose Clamps (396)(dated)	65	1 PR	19.00 Pair
21-05B	Therm. Housing/water Outlet (327/340-375hp) 63-65 Hiper > MAGNETIC CAST IRON /YES	63-5	1	67.00
21-05G	Thermo Housing Spacer(396 & L88 & 66-7/427 K19)	65&7	1	29.00
21-05H	Therm Housing (66-7 300hp,all 427 Exc L88)alum	66-7	1	64.00
21-05J	Therm Housing/water Outlet(correct) (#369 Cast) > 63-5 327/250-300hp,65 396,66-67 350hp,L88	63-7	1	65.00
21-06	Thermostat Gasket	63-7	1	2.00
21-07A	Thermostat (s.s.)(180 Degree)	63-7	1	15.00
21-07B	Thermostat (s.s.)(195 Degree)	63-7	1	13.50
21-07C	Thermostat (s.s.)(160 Degree)	63-7	1	13.50
21-08A	Therm. Housing Bolt Set (TR)(for 21-05J *) 63-5 327/250-300hp, 66-67 350hp, (*not 396/L88)	63-7	1 SET	4.25 Set
21-08B	Therm. Housing Stud Set (for 63-65 Hiper #21-05B)	63-5	1 SET	7.00 Set
21-08C	Therm. Housing Bolt Set (TR)(for 21-5H) (66-7 300hp,all 427 Except L88)	66-7	1 SET	4.75 Set
21-08D	Therm Housing Bolt Set (396/L88)(5G) (TR Hdmk)	65&7	1 SET	7.00 Set
21-08DR	Therm Housing Bolt Set (396/L88)(5G)replacement	65&7	1 SET	4.00 Set
21-08E	Therm Housing Bolts (TR) (427 smog with Spacer)	66-7	1 SET	10.00 Set
21-09A	Bypass Fitting 327/427 (in Intake) (threaded)	63-7	1	7.50
21-09B	Bypass Fitting 396/427 (unthreaded) (water Pump)	65-7	2	5.00 Each
21-10A	Bypass Hose 327 Hiper	63-7	1	10.00
21-10B	Bypass Hose 396/427	65-7	1	10.00
21-11A	Clamps For 327 Bypass Hose (pr) (#11) *QTY LTD	63-7	1 PR	4.00 Pair
21-11B	Clamps For 396 & 427 Bypass Hose (pr) (#39)	65-7	1 PR	6.00 Pair
21-12	87 Degree Bypass Fitting 327 Hiper	63-7	1	23.00
21-13A	Intake Heater Hose Fitting (short)	63-7	1	7.50
21-13B	Intake & Water Pump Heater Delete Plug	63-7	1or2	4.50 Each
21-14A	Water Pump Heater Hose Fitting (all Non A/C)	63-7	1	10.00
21-14B	Water Pump Heater Hose Fitting (A/C 327)	63-7	1	11.50
21-14C	Water Pump Heater Hose Fitting (A/C 427)	66-7	1	7.00
21-15A	Starter Brace (327)	63	1	12.00
21-15B	Starter Brace (427)(except L88)	66-7	1	11.00
21-15C	Starter Brace (396 Or L88)	65+7	1	19.00
21-15E	Starter Brace (327)	64-7	1	12.00
21-16	SHIELD For Starter Solenoid 64-67 327	64-7	1	11.00
21-17	Solenoid Shield Bolt	64-7	1	0.50
21-18A	Starter Brace Bolt (L Hdmk)	63-7	1	0.75
21-18B	Starter Brace Nut	63-7	1	0.25
21-19	Starter Bolts (327/396/L88 All)(pr)	63-7	1 PR	15.00 Pair
21-20	Starter Bolts 427 (2)	66-7	1 PR	12.00 Pair
21-21	Starter Solenoid Terminal Nuts & Lw (set)	63-7	1 SET	1.00 Set
21-35	Wire Clip On Starter Solenoid 427	66-7	1	16.00
<b>Oil Fill Tubes and Caps - see section 38 for oil can, Oil pan, dipsticks, etc...</b>				
21-22A	Oil Filler Tube 63 250-300 Hp (black)	63	1	25.00
21-22B	Oil Filler Tube 63 340hp (chrome)	63	1	28.00
21-22C	Oil Filler Tube 64-65 250-300 Hp (black)	64-5	1	25.00
21-22D	Oil Filler Tube 64-65 350-375hp (chrome)	64-5	1	29.00
21-22E	Oil Filler Tube 66-67 300 Hp (black)	66-7	1	28.00
21-22F	Oil Filler Tube 66-67 327/350hp (chrome)	66-7	1	32.00
21-22G	Oil Filler Tube 63FI (chrome)	63	1	30.00
21-23A	Oil Filler Cap Chrome (all 63-65 327)	63-5	1	10.00



n/a = discontinued

<bypass / intake fittings

<Starter mntg

21-23B	Oil Filler Cap Black 66-67 300 Hp	66-7	1	11.50
21-23C	Oil Filler Cap Chrome, 66-67 327/350 Hp	66-7	1	10.00
21-23E	Oil Filler Cap (unplated)(63E 250-300hp)(NOS)(Before 10/62)	63-5	1	8.00
21-23FB	BLEMS Oil Filler Cap 396/427 (green/blk S +SMC Logos	65-7	1	\$ 20.00
21-23G	Cork Gasket (with Hole) For Oil Filler Cap	63L-5	1	2.00
21-23H	Oil Filler Cap (chrome)(67 L89)	67	1	16.00
<b>&gt; Intake Manifold Bolts with headmarks</b>				
21-24A	Intake Manifold Bolts (AP Hdmk)(12) (zinc)	63	1 SET	18.00 Set
21-24B	Intake Manifold Bolts (TR Hdmk)(12) (black)	64	1 SET	18.00 Set
21-24C	Intake Manifold Bolts All 327(M Hdmk)(black)(12)	65-7	1 SET	18.00 Set
21-24D	Intake Manifold Bolts 396/427(M Hdmk)(zinc)16	65-7	1 SET	22.00 Set
21-25A	Water Pump Bolt Set (327)(TR Hdmk)(4)	63-7	1 SET	13.50 Set
21-25B	Water Pump Bolt Set (327 A/C)(TR,O Hdmk)(4 Pc)	64-7	1 SET	12.00 Set
21-25C	Water Pump Bolts (TR) & Stud Set (396/427)(4pc)	65-7	1 SET	14.00 Set
21-26A	Water Pump Leg Gaskets 327 (2)	63-7	1 PR	2.25 Pair
21-26B	Water Pump Leg Gaskets 396/427 (2)	65-7	1 PR	2.25 Pair
<b>Intake Manifold Vacuum Fittings --</b>				
21-27A	Intake Manifold Vacuum Fitting- PB Only	64-7	1	18.00
21-27B	Manifold Vacuum Fitting- A/C Or Automatic	65-7	1	17.00
21-27C	Fitting- PB And A/C Or PB And Auto (exc 3x2)	64L-7	1	19.00
21-27D	Manifold Vacuum Fitting- A/C And Automatic	64L-7	1	N/A
21-27E	Fitting- A/C And Automatic And PB (exc 3x2)	64L-7	1	22.00
21-27F	Plug- Vacuum Hole On Intake	64-7	1	3.75
21-27G	Vacuum Fitting- PB & A/C Or PB & Auto (3x2)	67	1	21.00
21-27H	Vacuum Fitting- PB & A/C & Auto (3x2)	67	1	21.00
21-27J	FI Fitting- 63-65 PB Fitting	63-5	1	N/A
21-27K	FI Plenum Plug- No Power Brakes	63-5	1	10.50
21-27L	x Fitting- PB And A/C (4 Spd & Auto)(4 Pc)	64E	1	n/a
21-27M	Intake Fitting- 64 Late Automatic (2 Pc)	64L	1	30.00
21-27N	Intake Fitting- Air Conditioned (2 Pc)	64	1	30.00
21-27P	Intake Fitting- Power Brakes (use 21-27A)	64E	1	N/A
21-27Q	FI Fitting- Vacuum Advance Fitting	64-5	1	30.00
21-27R	X Intake Fitting- A/C And Auto (3x2)	67	1	N/A
21-28A	Idler Pulley 327/340-360 Hp (zinc Pulley)	63E	1	125.00
21-28B	Idler Pulley 327/340,360-375hp (black pulley)	63-5	1	125.00
21-29	Idler Pulley Stud & Nut (327)	63-5	1	11.00
21-31	Idler Pulley Mounting Bolt & Washer	63-5	1	1.50
21-32	Power Brake Hose And 2 clamps (no logo)	63-7	1	\$ 7.50
21-32A	x Power Brake Hose And Clips (with Swan Logo)	63	1	
21-32B	x Power Brake Hose And Clips (Swan Logo)	64-7	1	
21-32C	x Power Brake Hose And Clips (3x2)(Swan Logo)	67	1	
21-35	Wire Clip On Starter Solenoid 427	66-7	1	16.00
<b>&gt; Intake Gaskets Have The Correct Original Shape (NO GM logo)</b>				
21-36A	Intake Manifold Gasket Set 327 all (5 Pc)	63-7	1 SET	36.00 Set
21-36B	Intake Manifold Gasket Set (396/427)(425-435hp)	65-7	1 SET	34.00 Set
21-36C	Intake Manifold Gasket Set (427)(390-400hp)	66-7	1 SET	34.00 Set
X21-36F	x Intake Gaskets- 327 With FI (with ss blockoffs)	63-5	1 SET	use 21-36A
21-36D	Head Gaskets (327)(pr)	63-7	1 PR	40.00 Pair
21-36E	Head Gaskets (396/427)(pr)	65-7	1 PR	50.00 Pair
<b>&gt;Water Pump rebuild kits include seal, gaskets (NO WATER PUMPS)</b>				
21-39B	Water Pump Rebuild Kit (327)	63-7	1	\$ 55.00
21-39C	Water Pump Rebuild Kit (396)	65	1	55.00
21-39D	Water Pump Rebuild Kit (427)	66-7	1	55.00
21-39F	Water Pump Flat Back (396 Only) (not In Kit)	65	1	18.00
21-39H	Hex Screws For Water Pump Back (327/427)(6 Pc)	63-7	1 SET	9.00 Set
21-39J	Slotted Screws For Water Pump Back (65/396)(6)	65	1 SET	5.00 Set
21-39K	Water Pump Shaft Seal 327 (in Kit)	63-7	1	9.00
21-39L	Water Pump Shaft Seal 396/427 (in Kit)	65-7	1	9.00
21-40A	Head Bolts (327)(16 Short,4 Med,14 Long)(replMks (not Correct Marking)	63-7	1 SET	40.00 Set
21-40B	Head Bolts- (396/427)(8 Short,24 Long) (M+ Hdmk)	65-7	1 SET	79.00 Set
<b>&gt; Freeze Plug Like Original- Not Stamped With Size</b>				
21-41A	Freeze-out Plugs (1-5/8"cup)(327) (no writing)	63-7	8	4.25 Each
21-41B	Freeze-out Plugs (1-3/4"cup)(396/427) (no writing)	65-7	8	4.25 Each
<b>More PLUGS:</b>				
21-42	Small Square Head Plug In Front Of Block	63-7	1	3.00
21-43A	5/16" Dowel Pin For 327 Head To Block (4)	65-7	1 SET	3.00 Set
21-43B	5/8" Hollow Pin For Head To Block(396/427)(4 Pc)	65-7	1 SET	3.00 Set
21-44	Drain Plugs (Hex hole)(2) Lower Side Of Block	63-7	1 PR	14.00 Pair
21-45A	Plug In Side Of Block- Hex Hole (396/427)(4)	65-7	1 SET	9.50 Set
21-45B	Cam Plug In Rear Of Block- Hex Hole	63-7	2-3	2.00 Each
21-46	x Pin In Rear Of Block For Bell Housing	63-7	1 PR	n/a





## Section 22 Engine PCV Valve Covers - Valve Cover Bolts- Exhaust bolts

Sec-Part	Name	Year	#need/Car	Price
22-11AE	X Breather Tube Grommet/metal Retainer Til 5/10/63	USE 22-11AL	63E	1 N/A
22-11AL	Breather/PCV Tube Rubber Grommet After 5/10/63	63L	1	9.00
22-11B	Breather Tube Grommet (396 & 427)	65-7	1	3.75
22-12A	Bolt,washer,gasket & Stud Set 64-5 250,300hp FOR breather tube	64-5	1 SET	10.00 Set
22-12B	Bolt,washer,gasket & Bolt Set 64-5 350,365,375hp ( breather tube)	64-5	1 SET	6.00 Set
22-12C	Bolt,washer,gasket & Bolt Set 66-67 300,350HP for breather tube	66-7	1 SET	6.00 Set

### PCV Valves, adapters, fittings, tubes hoses, grommets ....

22-13A	PCV Valve (63 327) (CV590)	62-3	1	35.00
22-13B	PCV Valve (66-67 327) (CV726C)	66-7	1	36.00
22-13BN	NOS/IN DELCO BOX PCV VALVE CV726C (66-67 327)	66-67	1	40.00 NO RTN
22-13C	PCV Valve (427) STD Brand/ Repl for #CV736C	66-7	1	6.00
22-13CN	NOS/DELCO'AC ROCHESTER CV736 C' 427 PCV VALVE	66-7	1	12.00 NO RTN
22-13D	PCV Adapter & Elbow (1963)	63	1	12.00
22-13E	PCV Carb Vacuum Restriction Elbow (WCFB,AFB,FI)	64-5	1	28.00
22-13F	Grommet for 427 PCV Valve (also For 22-10L L88)	66-7	1	5.25
22-13G	PCV Tube (65 396)	65	1	30.00
22-13H	PCV Tube Grommet (65 396) (in Valve Cover)	65	1	21.00
22-13J	PCV Elbow In Holley Carb (64-65 327 HOLLEY)	64-5	1	25.00
22-13K	X PCV And PB Fitting In Carb,1963 (2 Pc) (photo online)	63	1	N/A
22-13L	63 PCV Fitting In Carb (air Cond)(3 Pc)	63	1	35.00
22-13M	63 PCV Fitting (P/B & A/C)(2 Pc Set) \$	63	1	45.00
22-13N	63 FI PCV Valve Elbow (in FI Plenum)	63	1	10.00
22-13P	PCV Valve- Black (FI)	62-4E	1	35.00
22-13Q	PCV Elbow In Carb (396)	65	1	6.00
22-14A	Breather/PCV Hose (63 327)	63	1	8.00
22-14B	PCV Hose & Clamps (64-65 327)	64-5	1	8.00
22-14C	PCV Hose & Clamps(#15) (427- 4 BBL)(90Bend)	66-7	1	15.00
22-14D	PCV Hose & Clamps (67 Tripower)	67	1	9.75
22-14E	PCV Hose & Clamps (66-67 327)	66-7	1	8.00
22-15	PCV Hose Clamps (pr) (rounded corners) (black round)	64-7	1 PR	1.75 Pair
22-16A	PCV Hose Clip (64-5 327/250-300hp & 66 425)	64-6	1	20.00
22-16B	PCV Hose Clip On Carb Bolt (390 Hp)	66-7	1	14.00
22-16C	PCV Hose Clip On Intake Bolt (390 Hp)	66-7	1	25.00

### Temp Sender \* NO returns - no guarantee on calibration

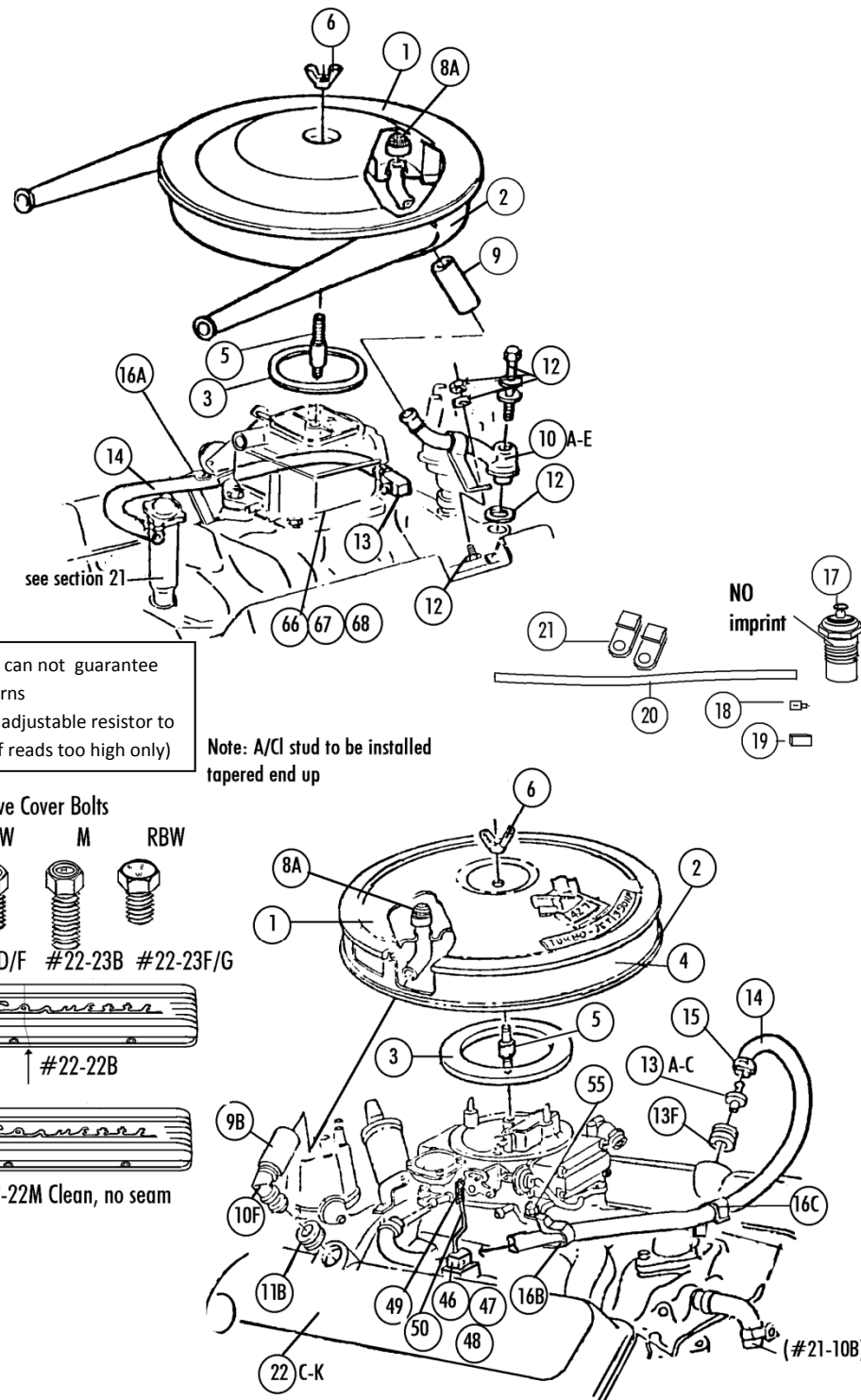
22-17B	Temp Sender - repro w Markings/upside down yes*	63-7	1	\$ 30.00
22-17C	Adjustable Resistor for temp sender (if gauge reads too high)	63-7	1	34.00
22-17D	Temperature Sender- (*no markings)(replacement)	63-7	1	25.00
22-18	Metal Terminal (for temp wire)	63-7	1	0.50
22-19	Plastic Terminal Cover (black) (for temp wire)	63-7	1	2.25
22-20A	Insulator (black loom) (for temp wire)	63-7	1	5.00
22-20B	Temp Wire Insulator Kit(#18,19,20,21A) 327 hiper	63-7	1	13.00
22-20C	Temp Wire Insulator Kit(18,19,20) 327loper,396, 427)	63-7	1	7.00
22-21A	Wire Clips- For Therm Wire 327 Alum V/cover (pr)	63-7	1 PR	7.25 Pair
22-21B	Clips(pr) For Therm Wire On LH Steel V/C (weld)327loper/396/427	63-7	1 PR	6.50 Pair
22-22A4	X Steel Valve Covers-(327/63L-6)(after 63 #13000)	63L-6	1 PR	N/A
22-22A7	Steel Valve Covers (67 327/300) (pr)	67	1 Pr	160.00 Pair
22-22B	Alum. Valve Cover r(2) (350hp)(With Seam)GM Lic Repro	66L-7	1 PR	x poor qual xn/a

### Valve Covers - All correct Repro - Yes big block Valve covers have drippers <<

22-22H	Valve Covers (396/427)(65 All+late 66)(pr)	65-6	1 PR	200.00 Pair
22-22J	Valve Covers (427)(all 66 Early)(A/C Dimple)(pr)	66E	1 PR	200.00 Pair
22-22K	Valve Covers (427)(67 All)(pr)	67	1 PR	200.00 Pair
22-22L	Valve Covers (67 L89)(chrome) (alum heads) no more	67	1 PR	n/a

### Valve Cover Bolts - with headmarks

22-23A	Alum Valve Cover Bolts 327 (phillips)(8 Pc)(thru 3/63)	63E	1 SET	5.50 Set
22-23B	Alum Valve Cover Bolts 327 hiper (M w 2 circles)(8 Pc)	63L-7	1 SET	14.00 Set
22-23D	Steel Valve Cover Bolts 327 (RBW Hdmk)(8 Pc)	63-6	1 SET	8.00 Set
22-23E	Steel V/C Bolts 67 327 (RBW Hdmk)(8 Pc)	67	1 SET	8.00 Set
22-23F	Steel V/C Bolts 396/427 (RBW Hdmk)(14 Pc)	65-6	1 SET	15.00 Set
22-23G	Steel V/C Bolts 427 (RBW+SBC Hdmk)(10+4 Pc)	67	1 SET	15.00 Set
22-23GA	Steel V/C Bolts 427+A/C (RBW+SBC Hd Mrk)(9+5)	67	1 SET	15.00 Set
22-23GB	Steel V/c Bolts 427 No Radio (RBW Hdmk)(14)	67	1 SET	15.00 Set
22-24A	Steel V/C Bolt Reinforcements 327 (8 Pc)	63-5	1 SET	7.00 Set
22-24B	Steel V/C Bolt Reinforcements 327 (8 Pc)	66-7	1 SET	7.00 Set
22-24C	Steel V/C Bolt Reinforcements 396/427 (14 Pc)	65-7	1 SET	16.00 Set
22-25A	Valve Cover Gaskets 327 (pr) (cork)	63-7	1 PR	12.00 Pair
22-25B	Valve Cover Gaskets 396/427 (pr) (cork)	65-7	1 PR	17.50 Pair



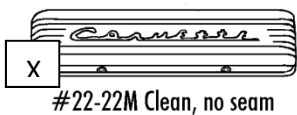
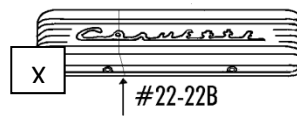
< Temp senders- we can not guarantee calibration.\*No returns  
 - use new #22-17c adjustable resistor to calibrate to gauge (if reads too high only)

Note: A/C stud to be installed tapered end up

### Valve Cover Bolts



#22-23D/F #22-23B #22-23F/G



#22-22M Clean, no seam

(#21-10B)





Section # 22 Engine: Vacuum Lines ●Choke ● Clean Air Tubes ●Accel Springs, Rods, Linkage● Carbs Gaskets●Carburetors (4 pages)

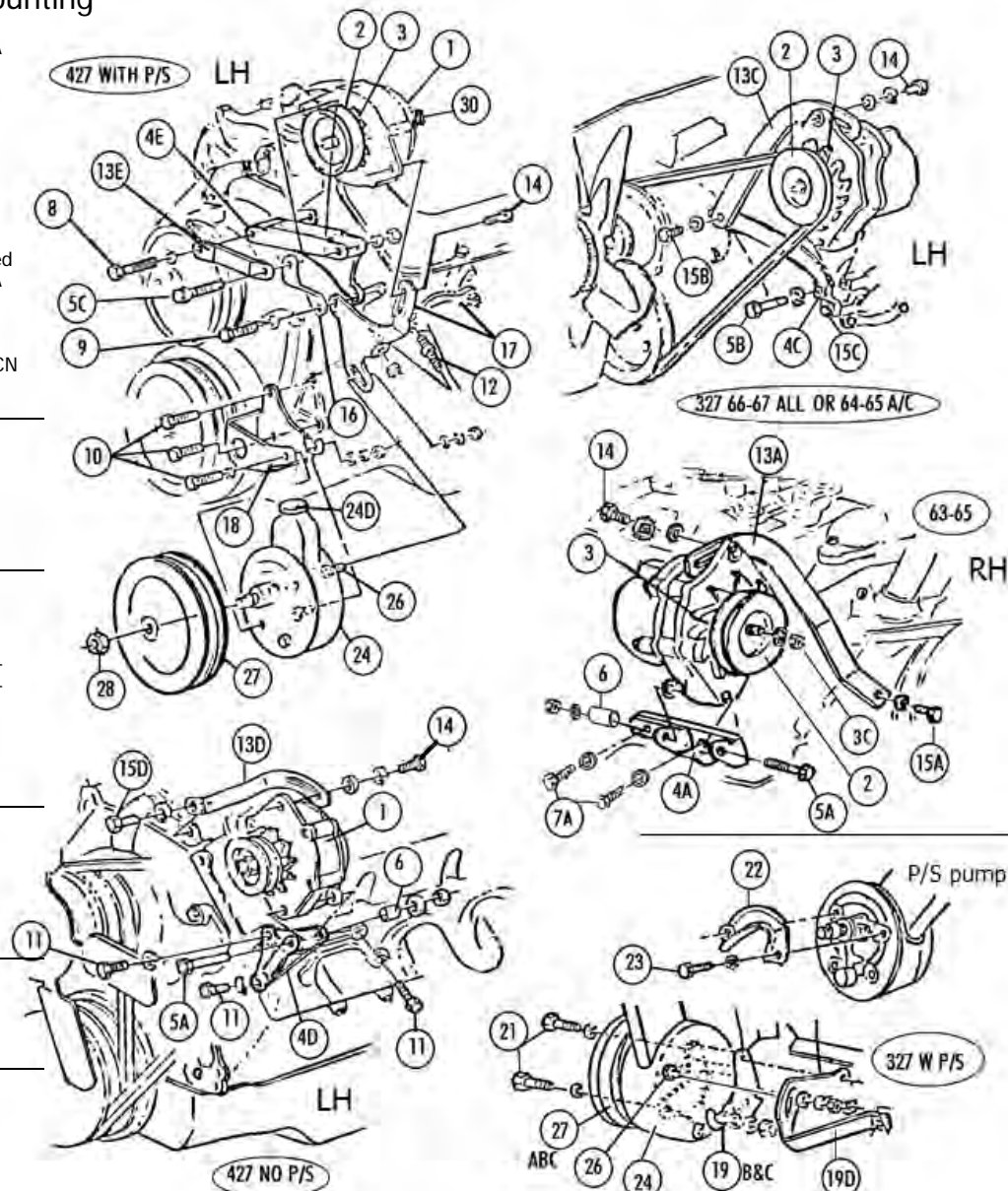
Sec-Part	Name	Year	#need/Car	Price		22-53E	Accelerator Return Spring- FI (blue)	63-5	1	7.00
22-43A	Vacuum Advance Line 250-300hp (*til Jan 64)	63-4	1	20.00						
22-43B	Vacuum Advance Line 250-300hp (after Jan 64)	64-5	1	20.00						
22-43C	Vacuum Advance Line 340 Hp (chrome)	63	1	28.00						
22-43D	Vacuum Advance Line 350-365 Hp (chrome)	64-5	1	25.00						
22-43E	Vacuum Advance Line 300 Hp (chrome)	66	1	24.00						
22-43F	Vacuum Advance Line 350 Hp (chrome)	66	1	24.00						
22-43G	Vacuum Advance Line 390, 425 Hp	66-7	1	20.00						
22-43H	Vacuum Advance Line 400, 435 Hp (chrome)	67	1	27.00						
22-43J	Vacuum Advance Line 63 FI	63	1	29.00						
22-43K	Vacuum Advance Line 396/425 Hp	65	1	24.00						
22-43L	Vacuum T & Hose Set (Tripower) (1+3)	67	1	10.00						
22-43M	Vacuum Advance Line 300 Hp	67	1	20.00						
22-43N	Vacuum Advance Line 350 Hp	67	1	20.00						
22-43P	Vacuum Hose (with Ribs & White Stripe)	63-7	1	3.00						
22-43Q	Adapter only - vac line to carb 63-65 only(notFI)	63-5	1	3.00						
22-44	Clip- Vacuum Advance Line	63-7	1	5.00						
22-44B	Clip For FI Vacuum Adv Line	63	1	12.00						
<b>Choke: Choke Tubes – Choke coil, Rods,</b>										
22-45A	Choke Tube 250-300 Hp	63-5	1	16.00						
22-45B	Choke Tube 340 Hp (chrome) s.s. (not magnetic)	63	1	25.00						
22-45C	Choke Tube 350-365 Holley (chrome)(not magnetic)	64-5	1	25.00						
22-45D	X Choke Tube FI (chrome) x	63-5	1	N/A						
22-45DCS	Choke Tube FI chrome / s.s. / NOT magnetic	63-5	1	25.00						
22-45DS	Choke Tube FI magnetic steel (not chrome)	63-5	1	25.00						
22-45E	Choke Tube & Correct Insulator (396)	65	1	35.00						
22-45F	Clip for 396 Choke/clean Air Tube Clip	65	1	15.00						
22-45G	Choke Tube In Exhaust Manifold	63-5	1	17.00						
22-45H	Choke Cover For Carter Carb (WCFB,WAFB) \$	63-5	1	39.00						
22-45J	Choke Housing & Piston Asm (WCFB)(used) (250hp)	63-5	1	75.00	Used					
22-45K	Choke Housing & Piston Asm (AFB) (300-340hp) N/A	63-5	1	N/A						
22-45L	Choke Cover Retainer (carter Wcfb & Afb)	63-5	1	7.50						
22-45M	Choke Cover Screws (carter Wcfb & Afb)(3)	63-5	1 SET	2.00	Set					
22-45N	X Choke Coil & Zinc Plate (Carter WCFB & AFB)	63-5	1	N/A						
22-45P	Choke Slotted Plate (carter Wcfb & Afb)	63-5	1	10.00						
22-45Q	Choke Cover Gasket (Carter Wcfb & Afb)	63-5	1	3.00						
22-45R	Choke Housing Mounting Screws (wcfb)(3)	63-5	1 SET	2.00	Set					
22-45S	Choke Housing Mounting Screws (afb)(3)	63-5	1 SET	2.00	Set					
22-45T	Choke Rod & Clip (wcfb) (250hp)	63-5	1	9.00						
22-45U	Choke Rod & Clips (afb) (300-340hp)	63-5	1	9.00						
22-45W	Choke Assembly (carter Wcfb) (J,H,L,M,N,P,Q,R,T)	63-5	1	N/A						
22-45X	Choke Assembly (carter Afb)see K,h,i,m,n,p,q,s,u	63-5	1	N/A						
22-46A	Choke Thermostat (64-5/350-365hp)or(65/396) Coil, Black Cover & Gasket) \$	49.00								
22-46B	Retainers & Screws For Choke (2818 64-5 350-365)	64-5	1 SET	9.00	Set					
22-46C	Screws For 396 Choke Cover (3)	65	1 SE	2.00	Set					
22-46D	Choke Base (housing)(2818,3124) 64-5/350-365hp)or(65/396)	64-5	1	70.00						
22-46	<b>Choke Coil (for Holley 66-67)</b>	66-7	1	21.00						
22-47	Choke Coil Screw	66-7	1	0.50						
22-48	Choke Coil Cover	66-7	1	6.50						
22-49	Choke Rod Clip	63-7	1	2.00						
22-50A	Choke Rod 66-67 300 Hp	66-7	1	9.00						
22-50B	Choke Rod 66-67 350 Hp	66-7	1	9.00						
22-50C	Choke Rod 66 390 Hp	66	1	9.00						
22-50D	Choke Rod 66 425 Hp	66	1	9.00						
22-50E	Choke Rod 67 390 Hp	67	1	9.00						
22-50F	Choke Rod Tripower	67	1	9.00						
22-50G	<b>Choke Set (46,47,48,49,50)(state Year &amp; Engine)</b>	66-7	1 SET	38.00	Set					
22-50H	Choke Rod Washer (66/425 + L88)	66-7	1	0.50						
22-51A	Clean Air Tube With Hose	63	1	33.00						
22-51B	Clean Air Tube With Hose	64-5	1	33.00						
22-51C	Clean Air Tube FI With Hose	63-5	1	33.00						
22-51D	Clean Air Tube 396 With Hose	65	1	28.00						
22-51E	Stud & Nut For Clean Air Tube 63 Or 63-5 Fi	63-5	1	6.00						
22-52A	Clean Air Hose (327)	63-5	1	2.75						
22-52B	Clean Air Hose (396)	65	1	2.50						
22-53A	Accel/carb Return Spring 327	63-7	1	6.00						
22-53B	Accel Return Spring 340 Hp	63	1	7.00						
22-53C	Accel Return Spring All 67 Auto (pr)(Green)	67	1 PR	11.00	Pair					
22-53D	Accel Return Spring 396/427	65-7	1	6.00						
22-54A	Accel Return Spring Bracket 327 (steel, yes)	63-7	1	10.00						
22-54B	Accel Spring Bracket 396/427 (Steel, yes)	65-7	1	10.00						
22-54C	Accel Spring Bracket (FI)	63-5	1	15.00						
22-55A	Carb Mtg Stud & Nut Set (exc 63-5 300hp) (4+4)	63-7	1 SET	6.00	Set					
22-55B	Carb Mtg Stud, Nut & Bolt Set (Tripower)	67	1 SET	13.50	Set					
22-55C	Carb Mounting Long Stud & Nut Set (63-5 300 Hp)	63-5	1 SET	4.00	Set					
22-58	Accel Rod Bushing & Grommet Set (2+2)	63-7	1 SET	4.00	Set					
22-60A	Accelerator Rod- 63-65 327	63-5	1	18.00						
22-60B	Accelerator Rod- 396	65	1	25.00						
22-60C	Accelerator Rod- 66-67 327	66-7	1	18.00						
22-60D	Accelerator Rod- 427/390hp (66 All,67 4 Spd)	66-7	1	30.00						
22-60E	Accelerator Rod- Tripower (4 Spd)(Gold Color)	67	1	30.00						
22-60F	Accelerator Rod- 427/425hp	66	1	30.00						
22-60G	Accelerator Rod- FI	63-5	1	30.00						
22-60H	Accelerator Rod- 427/390 (auto)	67	1	30.00						
22-60J	Accelerator Rod- 427/400 (auto)(gold Color)	67	1	30.00						
22-61	Accel Swivel + Cotter Pins (1 + 2)	63-7	1 SET	5.00	Set					
22-62	Carb Linkage set 67 Tripower (Gold Color)(2rods,ends,clips,bushing)	67	1	45.00	set					
22-63A-C	xCarb Tags no X	63	1	N/A						
22-64	Distributor Holddown (see 48-36)									
22-65A	x Spark Plugs 327 AC R43(replacement AC44)(8 PC)Delco	63-7	1 SET	see 22-65D						
22-65B	Spark Plugs 327 (city) (AC R45)(8 Pc) Delco	63-7	1 SET	27.00	Set					
22-65D	Spark Plugs 327 (AC44)(8 Pc) (4 Green stripes) reproduction	63-7	1 SET	60.00	Set					
22-65E	X Spark Plugs 327City (AC45)(8)(4 Green strpe) reproduction	63-7	1 SET	N/A						
22-65F	Spark Plugs 396/427 R43XLS, Delco repl for AC43	65-7	1 SET	27.00	set					
22-65Z	Spark Plug Washers (8)	63-7	1 SET	6.00	Set					
22-66A	Carb Base Gasket (wcfb)(250hp)	63-5	1	7.50						
22-66B	Carb Base Gasket (300hp/afb)	63-5	1	7.50						
22-66C	Carb Base Gasket (327/300,427/390hp)(use Baffle)	66-7	1	7.50						
22-66D	Carb Base Gasket (327/350-365)	64-7	1	7.50						
22-66E	Carb Base Gasket (Holley Tripower)(3 Pc)	67	1 SET	15.00	Set					
22-66F	Carb Base Gasket (396-427/425-450hp, L88)	65-7	1	7.50						
22-66G	Carb Base Gasket (340/AFB)	63	1	7.50						
22-67	Carb Insulator (AFB 300hp)(over Gasket)	63-5	1	28.00						
22-68A	Carb Metal Heat Baffle (s.s.)(AFB 300hp)	63-5	1	11.00						
22-68B	Carb Metal Heat Baffle (300,390hp)(on Gasket)	66-7	1	18.00						
22-69	LOOK ONLINE SITE > Valve Push Rod ... A B C TYPE IN 22-69									
22-70A-L	Rocker Arm, Ball, & Nut , VALVE SPRING & CAP ... LOOK ONLINE. TYPE IN 22-70									
<b>&gt;Holley Carbs -- NO MORE CARBS. See rebuild kits below. #s here for reference</b>										
22-71D	Carburetor- Holley 3367 1966 300,350hp x	66	1	\$ x	n/a					
22-71E	X Carburetor- Holley 3810 1967 300,350hp X	67	1	x	N/A					
22-71F	X Carburetor- Holley 3659 (67 3x2 outer) x	67	2	x	N/A					
22-71G	X Carburetor- Holley 3660 (67 3x2 Center) x	67	1							
22-71H	X Carburetor- Holley 3810 (67 390hp) x	67	1							
22-71K	X Carburetor- Holley 3247 (66 425hp ) x	66			n/a					
22-71N	X Carburetor- Holley 3370 (66 427/390) x	66	1		n/a					
22-72D	x Fuel Inlet Fitting- Holley Carb (5/16"line) (all 327;65-6 427/425,430,450hp)	63-5	1	15.00						
22-72E	Fuel Inlet Fitting in carb (63-5 AFB)	63-5	1	15.00						
22-72F	X Fuel Inlet Fitting- 427 Holley Carb (3/8"line) (66-7 390,400,435hp)	66-7	1-3	n/a						
22-72L	Fuel Inlet Fitting & Retainer (327/350-365hp)	64-5	1 SET	20.00	Set					
22-72M	Fuel Inlet Fitting (wcfb)	63-5	1	15.00						
22-72A	x Carb Rebuild Kit (same kit all WCFB/AFB)	63-5	1		x n/a					
<b>Holley Carb Rebuild Kits &gt; (KB=brand) 10% Ethanol compatible</b>										
22-72G	Carb Rebuild Kit (64-5 350-365hp)(Holley 2818)KB	64-5	1	49.00						
22-72J	Carb Rebuild Kit (66 327/300-350hp)(3367)(KB)	66	1	49.00						
22-72N	Carb Rebuild Kit (67 300&350hp)(Holley 3810)(KB)	67	1	49.00						
22-72P	Carb Rebuild Kit (66 390hp)(Holley 3370)(KB)	66	1	45.00						
22-72Q	Carb Rebuild Kit (67 390hp)									



## Section #23 Alternator Mounting & Power Steering Pump & Mounting

Sec- Part#	Name	Year	#Need/Car	Price Inc
23-01	x No Alternators	63-7	1	N/A
23-02A	<b>Alt Pulley</b> (63-5 250-300hp No A/C & 65 350HP no a/c ps no not)	63-5	1	\$ 39.00
23-02B	Alt Pulley & Disk (250-300hp A/C)	63	1	75.00 Set
23-02C	Alt Pulley (250-300hp A/C)	64-5	1	39.00
23-02D	Alt Pulley (390-400hp A/C & P/S)	66-7	1	39.00
23-02E	Alt Pulley (390-400hp A/C No P/S)(66-67 350 A/C)	66-7	1	39.00
23-02F	Alt Pulley (390-435hp No P/S No A/C, 64-65 365hp A/C) 66-7 327/350hp No P/S, No A/C (396 no p/s,noA/C)	64-7 66-7	1	39.00
23-02G	Alt Pulley (340,360-375hp No A/C)	63-5	1	39.00
23-02H	Alt Pulley (390-435hp P/S No A/C)	65-7	1	39.00
23-02J	Alt Pulley & Fan(300hp No A/C,350hp NO P/S No AC)	66	1	50.00 Used
23-02K	x Alt Pulley & Fan (65 250-350 A/C,66 300hp A/C) (66-7/350hp P/S No A/C)			N/A
23-02L	x Alt Pulley & Fan(300hpNO A/C,350hp NO P/S No AC)	67	1	n/a
23-02M	Alternator Pulley & Fan (300hp A/C)	67	1	50.00
23-03A	Alternator <b>Fan</b>	63	1	29.00
23-03B	Alternator Fan	64-7	1	29.00 RECEN
23-03C	Alternator Pulley Nut & Washer	63-7	1	5.00
23-03D	Internal Spacer For Altern Fan (on alt shaft)	63-7	1	3.00
23-04A	Alternator Bracket- RH (327) (64-5, fits 63-65)	63-5	1	40.00
23-04A3	Alt Bracket, RH 63-64 Early with correct hole position	63-4E	1	72.00
23-04B	<b>Alternator Bracket- LH</b> (327 A/C)	63	1	50.00
23-04C	Alternator Bracket- LH (327)	64-7	1	30.00
23-04D	Alternator Bracket- LH (427)	66-7	1	95.00
23-04E	Alternator Bracket- P/S LH (396/427)	65-7	1	53.00
23-04F	Alternator Bracket- LH (396)	65	1	95.00
23-05A	Alt Long Bolt, Washer, Nut (for 4A,B,D,F) (TR)	63-7	1	5.75
23-05B	Alt Long Bolt And Lw (for 4c) (o)	64-7	1	1.50
23-05C	Alt Long Bolt, Washer & Nut (for 4E) (NO MK)	65-7	1	3.75
23-06	Alternator Spacer (63-5 327 & 65-7 396/427)	63-7	1	4.00
23-07A	Alt Bracket Bolts & Washers (63-65 RH)(pr) (M HDMK)	63-5	1 PR	2.00 Pair
23-07B	Alt Bracket Bolts & Washers (63 LH-A/C)(pr) (TR HDMK)	63	1 PR	3.00 Pair
23-08	Bolt & Washer (396/427 P/S) (1 Each) (O)	65-7	1	1.00
23-09	Bolt & Washer (396/427 P/S) (TR Hdmk)	65-7	1	2.00
23-10	Bolts & Washers (396/427 P/S)(3 +3)	65-7	1 SET	2.25 Set
23-11	Bolts & Washers (TR)(396/427 No P/S)(3+3)	65-7	1 SET	4.50 Set
23-12	Stud & Nut (396/427 P/S)	65-7	1	3.00
23-13A	<b>Alternator Brace RH 327</b>	64-5	1	25.00
23-13B	Alternator Brace LH 63 A/C	63	1	29.00
23-13C	Alternator Brace LH 66-7 327 & 64-65 350-365 Hp A/C	66-7	1	25.00
23-13D	Alternator Brace LH 396/427	65-7	1	25.00
23-13E	Alternator Brace LH 396/427 P/S	65-7	1	15.00
23-13F	Alternator Brace LH 64-5 250-300hp with A/C	64-5	1	33.00
23-13G	Alternator Brace (63 RH, NO A/C) (with V Stamp)	63	1	35.00
23-14	Alternator Top Adjust: Bolt, Washer & Spacer (WB Hdmk)	63-7	1	3.00
23-15A	Alt Brace Bolt & Lw (RH)(TR)(water Pump)	63-5	1	3.25
23-15B	Bolt & Lw- LH Alt Brace To Water Pump(TR)(327)	64-7	1	3.25
23-15C	Alt Bracket Bolt & Lw (327 LH)(exh)	64-7	1	1.00
23-15D	Alt Brace Bolt & Lw (396/427)(no P/S)	65-7	1	1.50
23-16	<b>Alternator Brace LH (396/427 P/S)</b>	65-7	1	15.50
23-17	Brace P/S Pump & Alt. (396/427)	65-7	1	66.00
23-18	Bracket Power Steering Pump (396/427)	65-7	1	53.00
23-19B	Power Steering <b>Pump Bracket</b> (327)(thru11/64=65E)	63-5E	1	30.00
23-19C	Power Steering <b>Pump Bracket (327)</b>	65L-7	1	30.00
23-19D	Power Steering <b>Pump Bracket (327)</b>	63-7	1	22.00
23-21A	P/S Bracket Bolt & Lw (327)(9 Pc Set) (repl)	63-5E	1 SET	3.50 Set
23-21B	P/S Bracket Bolts & Lws (327)(9 Pc Set) (repl)	65L-7	1 SET	4.50 Set
23-22	P/S Pump Belt Guard (327- A/C)	65-7	1	18.00
23-23	Belt Guard Bolts (pr) (327 A/C)	65-7	1 PR	1.50 Pair
23-24B	X P/S Pump- (327/396/427) x	63-7	1	N/A
23-24C	X P/S Pump <b>Metal Case (with All Seals To Change)</b>	63-7	1	N/A
23-24D	P/S Pump Filler Cap (round plastic=replacement)	63-7	1	4.00
23-24E	X Power Steering Metal Cap, With Ears & Writing	63-7	1	N/A
23-25	P/S Pump Seal Kit (7 Pc)	63-7	1 SET	18.00 Set
23-26	P/S Pump Studs, Nuts, FW, SLW (2 Each)	63-7	1	14.00 Set

N/A = NOT AVAIL - DISCONTINUED ITEM.  
(see Section 41 For more Power Steering) -- see photos online  
And section 24 for upper/lower pulleys



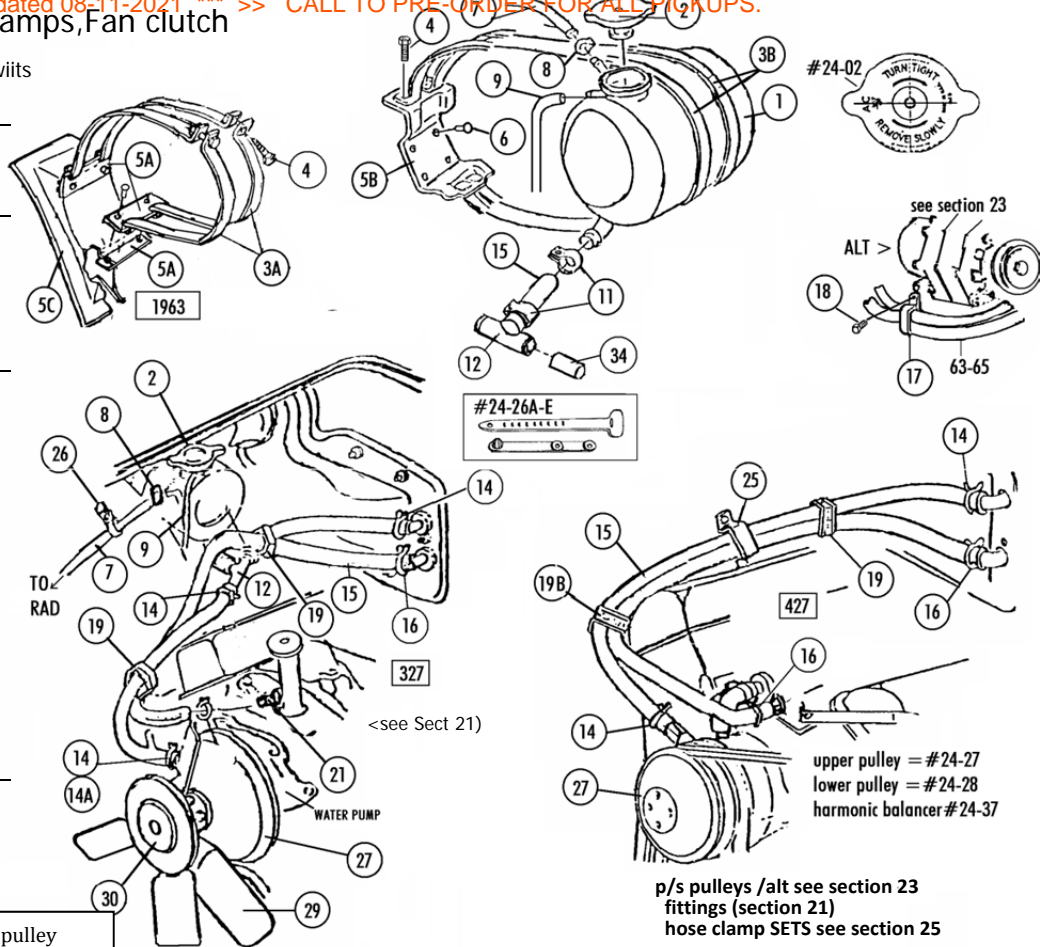
### Power Steering Pump Pulleys - see section 24 for Upper and Lower Pulleys & Harm Bal.

23-27A	Single P/S Pulley (250-300hp All)(350hp A/C)	63-7	1	\$ 64.00
23-27B	Single P/S Pulley (327/350 Hp No A/C)(Cast Iron) x	65-7	1	N/A
23-27C	Double P/S Pulley (396/427)(Cast Iron)	65-7	1	\$ 115.00
23-28	P/S Pulley Nut	63-7	1	2.00
23-28B	P/S Pulley Woodruff Key	63-7	1	2.50
23-29	Idler Pulleys (see Section 21) #21-28A OR B			
23-30A	<b>Alternator Plug</b>	63-7	1	8.00
23-30B	Alternator Terminal Nut & Lw Set	63-7	1 SET	0.75 Set
23-30C	<b>Alternator Boot</b> (correct With + Raised Rib)	63-7	1	10.00
23-31	▶ <b>396/427 P/S Bracket Set</b> (4E,13E,16,17,18)	65-7	1 SET	\$ 195.00 Set
23-32	▶ <b>396/427 P/S+alt Bolt Set</b> (5C,8,9,10,12,14,26)	65-7	1 SET	27.00 Set
23-33	Capacitor In Alternator With Retainer(=53-03M)	63-7	1	20.00 Each



Section #24 Heater Hoses ,Exp Tank mounting,Rad caps,Pulleys,Clamps,Fan clutch

Sec-Part#	Name	Year	#Need/Car	\$ Inc
24-01A	x Radiator Supply Tank (327/396/L88) CALL DEWITTS	63-7	1	xcall dewitts
24-01B	x Rad Supply Tank (327/396/L88) DATED X NO MORE	64L-7	1	x " "
24-01C	Rad Supply Tank (pressed fittings)(dated) x no more	63-4Early	1	x " "
<b>&gt; Radiator Caps - Made in USA - GM Licensed Repro - see photos online</b>				
24-02A	Radiator Cap (AC 307-13 Lb)(63all,64-5noA/C,396	63-5	1	49.00
24-02B	x Radiator Cap(RC 26-15 Lb)(66-7/327 All,64-5 A/C)	64L-7	1	x n/a
24-02C	Radiator Cap (RC 15-15 Lb)(427 All)	66-7	1	49.00
24-03A	Supply Tank Straps (2 Long, 2 Short)	63	1 SET	28.00 Set
24-03B	Supply Tank Straps (pr)	64-7	1 PR	10.00 Pair
24-04	Tank Strap Bolts With Correct EL Headmark (2)	63-7	1 PR	3.75 Pair
24-05A	Metal Brackets, Backing Plates & Rivets (set)	63	1 SET	19.00 Set
24-05B	Supply Tank Bracket	64-7	1	12.00
24-05C	Fiberglass Supply Tank Support	63	1	60.00
24-06	Rivets for tank bkt 24-05B (4 Pc)	64-7	1 SET	1.00 Set
24-07	<b>Radiator To Supply Tank Hose</b> (blue logo)	63-7	1	14.00
24-08	Hose Clamps (for #24-07 rad to tank hose) (2)(orig style)	63-7	1 PR	18.00 Pair
24-08B	replacement,Hose Clamps (2) for (24-07 rad to tank) 327/396)	63-7	1 pr	5.00 pair
24-08C	screws & nuts (2+2)orig type for exp tank to rad clamp	63-7	1 pr	2.50 pair
24-09	<b>Overflow Hose</b> , ribbed (327/396/427)	63-7	1	6.00
24-11	Hose Clamp (Tank To T)(2)	63-7	1 PR	4.00 Pair
24-12	Heater Hose T Fitting	63-7	1	11.00
24-14	3/4" Hose Clamp (2)	63-7	1-2PR	2.50 Pair
24-14A	Hose Clamp- 3/4" hose To Water Pump (with A/C)	66-7	1	2.00 Each
24-15	<b>Heater Hose Set</b> 3/4 Ribbed, 5/8 With White GM	63-7	1	45.00
24-16	5/8" Hose Clamps (2)	63-7	1-3pr	2.50 Pair
24-17	Hose Clip On Alternator Brace (with Twist)	63-5	1	14.00
24-18	Bolt For Hose Clip (#24-17 on alt brace) E HDMK	63-5	1	0.75
24-19A	63 Heater Hose Straps- Aluminum (non A/C)(2)	63	1 PR	5.00 Pair
24-19B	Heater Hose Clips (non A/C)(2)	64-7	1 PR	8.00 Pair
24-25A	<b>Hose Fender Clamp</b> (427)(with Hardware)	65-7	1	10.50
24-25B	Hose Fender Clamp (327 A/C. 427 A/C)(with Hardware)	66-7	2	10.50 Each
24-25D	Fender Clamp Bolts & Nuts (2+2)(RBW)	63-7	1 SET	2.25 Set
24-25E	x Hose Clamp On Fender Skirt (63 A/C)	63	1	n/a
24-26A	Black 2-hole, Hose & Wire Plastic Strap	63-7	8	2.00 Each
24-26B	White T-shaped, Hose & Wire Plastic Strap	63-4	7	2.00 Each
24-26C	Black T-shaped, Hose & Wire Plastic Strap	65-7	7	2.00 Each
24-26D	<b>Complete Plastic Strap Set</b> (8-2 Hole, 7-white T)	63-4	1 SET	25.00 Set
24-26F	Complete Plastic Strap Set (8-2 Hole, 7-black T)	65-7	1 SET	25.00 Set
<b>Pulleys - upper - Water Pump / Lower = Crankshaft - see section 23 for P/S and Alt Pulleys</b>				
24-27A	<b>Upper Pulley</b> (double)(250-300hp)(original)	63-5	1	\$ 165.00 Used
24-27B	X Upper Pulley (Dbl/deep)(327/340,360,365-375hp) +	63-5	1	N/A
	x Upper Pulley (327/350hp) no P/S,no A/C (used)	66-7	1	
24-27C	X Upper Pulley (Double)(64-65 327/250-300hp A/C) & 65/350 all	X NO MORE		
24-27D	X Upper Pulley (Double)(327/365hp With A/C) (NOS)	64-5	1	N/A
24-27E	Upper Pulley (327/300hp)(66-7)single Groove	66-7	1	75.00
24-27F	Upper Pulley (Double)327/300-350hp With A/C) +	66-7	1	155.00
	(66-67 350hp With P/S & A/C,350hp With P/S) used reconditioned			
24-27G	Upper Pulley (Double)(67 427)(no A/C)	67	1	\$109.00
24-27H	Upper Pulley (double)(65-66 396/427)(no A/C)	65-6	1	149.00
24-27J	Upper Pulley (Triple)(66-67 427 A/C)	66-7	1	215.00
24-27K	Upper Pulley Reinforcement (327 Non A/C,427 A/C)	66-7	1	5.00
24-28A	<b>Lower Pulley</b> (Double)(327/250-300 Hp) (a=d=e)	63-5	1	79.00
24-28B	Lower Pulley (single)(327/300hp)(no A/C) NOS	66-7	1	69.00
24-28C	Lower Pulley (Double/Deep) #3766987 63-64 hiper	63-64	1	\$ 156.00 REPRO
24-28D	Lower Pulley (Double)(327/250)(A/C)	63-5	1	79.00
24-28E	Lower Pulley (Dbl)(327/300-350hp)(A/C)replace >(6-3/4OD)	65-7	1	79.00
24-28F	Lower Pulley (double)(327/300-350hp)(A/C)(orig)	65-7	1	\$ 155.00 Used
	& No A/C 350hp P/S (7-1/4) used	65-7		
24-28FN	<b>NOS/NEW Lower Pulley</b> new old stock/ new same as aboveF >			\$ 175.00 NOS
24-28G	X Lower Pulley (327 P/S)(use with a,b,d,e,f) shallow groove 63-7	X	NO MORE	
	#3751232 stamped - nos / no box << add on/3rd groove/shallow (63 350hp no a/c Notused)			
24-28H	<b>Lower Pulley</b> (Double)(396/427 All) Cast Iron#108	65-7	1	235.00
	Correct Repro With 3863108 On Outer Ring (USA)			
24-28J	*Lower Pulley (Double) (327/365hp A/C)(deep gr) >>	64	see C	65 see K
24-28K	x Lower Pulley 65-67 327/hiper No A/C #3858533	65-7	n/a	
24-28L	P/S add on pulley /Deep Groove / (use w C&J) hiper	63-5	X	
	HIPER/340,360,365 (65 350hp no a/c Not used) don't have.			



<pulley

Fans >

Fan > Clutch

Harm > Balancer

**Fan Blades with stampings - 63-64E = round head Rivets, 64L-67 flat head rivets**

24-29A	x Fan- Five Blade (17-1/8") (327 Except A/C) 25°pitch	64L-7	1	.no more
24-29B	X Fan- Seven Blade 64-5 327 With A/C (18" 34.5°pitch)	64-5	1	.NO MORE.
24-29C	X Fan- Five Blade 66-67 427 (17.5"/34.5 Pitch)	66-7	1	.NO MORE
24-29D	x Fan- Five Blade 65 396 (17"/more Pitch)	65	1	.NO MORE
24-29E	x Fan- Five Blade 63-4E 327 No AC (17-1/8") Rnd Hd Rivet(25°pitch)	63-4E	1	.no more
24-29F	x Fan- 5 Blade 63-4E A/C (18" 34.5°pitch) Rnd hd Rivet	63-4E	1	.no more
24-29G	x Fan- 5 Blade 66-7 327 AC (18" 34.5°pitch) FH Rivet	66-7	1	.no more

**Fan Clutch Repro, no pat pend marks, no dates,bar type(K&B)**

24-30A	Fan Clutch 327 (Bar) Repro, no pat pend, no date	63-7	1	140.00
24-30B	Fan Clutch 396&427 (Bar)repro,no pat pen, no date	65-7	1	140.00
24-30R	Fan Clutch Eliminator Spacer (use Orig Fan)	63-7	1	65.00
24-34	Heater Delete Cap	63-7	1	5.00
24-35A	Nut & LW Set (fan To Clutch)(4 Ea)	63-7	1 SET	1.00 Set
24-35B	Bolt& LW Set (Fan Clutch To Water Pump)(4ea)	63-7	1 SET	7.00 Set
24-35C	Stud (fan To Fan Clutch)(4 Pc)	63-7	1 SET	5.00 Set
24-36A	Bolt & LW Set (Lower Pulley-327)(3 Ea) (E Hdmk)	63-7	1 SET	7.50 Set
24-36B	Bolt & LW Set (Lower Pulley- 396/427)(3 Ea) (TR)	65-7	1 SET	4.75 Set
24-37A	XHarmonic Balancer 63-65 327/250-300 X	63-5	1	N/A
24-37B	x Harmonic Balancer 66-67 327/300hp (repro)	66-7	1	N/A

**24-37D Harmonic Balancer 66-67 427/390-400hp**

24-37E	X Harmonic Balancer 8",65 396 66-67 427/425-435Hp	65-7	1	N/A
24-37G	X Harmonic Balancer (327 Hiper)(finned/reinf ribs)	63-7	1	N/A
24-38A	Harmonic Balancer Bolt, Lw & Spacer (327)(hiper)	63-7	1	9.50
24-38B	Harmonic Balancer Bolt, Lw & Spacer (396/427)	65-7	1	9.50
24-38C	<b>Woodruff Key</b> For Crankshaft-balancer+ timing Gear	63-7	1	3.00

p/s pulleys /alt see section 23 fittings (section 21) hose clamp SETS see section 25

upper pulley = #24-27  
lower pulley = #24-28  
harmonic balancer #24-37

## Section # 25 Radiators - Shrouds - Supports - Brackets - Hose Clamp Sets

PART#	NAME	YEAR #/CAR	PRICE	INC
25-01A	<b>Radiator Shroud Bracket (327)</b>	63-5	1	30.00
25-01B	Radiator Shroud Bracket (396/L88)	65,67	1	30.00
25-01C	Radiator Shroud Bracket (327)	66-7	1	25.00
25-01D	Radiator Shroud Bracket (427)	66-7	1	25.00
25-02	<b>Rubber Cushion (327/396) For Top Rad Bracket</b>	63-7	1	4.50
25-03A	Shroud Bracket Bolt Set (327) (WB Hdmk)	63-5	1 SET	2.75 Set
25-03B	Shroud Bracket Bolt/washer Set (327/427)(RSC/WB)	66-7	1 SET	6.00 Set
25-03C	Shroud Bracket Bolt & Washer Set (396,L88)RSC/WB	65,67	1 SET	4.00 Set
25-04A	Radiator Upper Bracket LH (427)	66-7	1	20.00
25-04B	Radiator Upper Bracket RH (427)	66-7	1	20.00
25-04C	Radiator Lower U-bracket & Reinf- 427 (weld On) (2+2)	66-7	1 SET	35.00 Set
25-05	Bracket Cushion 427 (1) (for bkt #4)	66-7	4	4.00 Each
25-06	427 Bracket Bolt (RSC) and washers (thick&thin+lw) 4 ea (FOR #4)	66-7	1 SET	15.00 Set
25-06B	Tubes For 427 Radiator Support Upper Bolts (2)	66L-7	1 PR	8.00 Pair
25-06C	Thicker washer for 427 Rad bkts (4) (in set 25-6)	66-7	1	6.00 set
25-07	<b>Lower Radiator Round Cushions (327/396) (pr)</b>	63-7	1 PR	3.00 Pair
25-08	Radiator Cap (see Sect 24-02) Exp Tanks sect 24-01			
25-09	Overflow Hose (327/396/427)(ribbed)	63-7	1	6.00
25-10	Overflow Hose Straps (427)(pr)	65-7	1 PR	2.50 Pair
25-11A	Radiator Draincock- Aluminum (327/396)	63-7	1	17.50
25-11B	Radiator Brass Draincock (427)(or Brass 327 Rad)	67L	1	4.50
25-11C	Aluminum Radiator Aluminum Drain Plug (327)	66	1	6.50
25-11D	Brass Drain Plug (427)	66-7E	1	3.50
25-12	Radiator Support Side Shim (1/16" Thick) (1)	63-7	-	0.75 Each
25-13A	Shroud to Supt Bolts & Lockwasher (6 Ea) (WB)	63-5	1 SET	4.50 Set
25-13B	Shroud to Supt Bolts & Lws (4 Ea) (WB)	66-7	1 SET	3.00 Set
25-13C	Shroud J-nuts (4 Pc) (J-nut/ w hex nut) repl \$	66-7	1 SET	3.50 Set
25-13D	Shroud J-nuts (396)(6 Pc) (J-nut/ w hex nut) repl \$	65	1 SET	5.25 Set
25-14A	Radiator Support Bolt & Washer Set (WB)(from Btm)	63-7	1 SET	4.75 Set
25-14B	Radiator Support Side Bolts & Lw (4 Ea) (WB)	63-7	1 SET	3.00 Set
25-15A	Reinforcement rad supt/hood hinge (LH)(W Rivets)	63-7	1	19.00 each
25-15B	Reinforcement rad supt/hood hinge RH (W Rivets)	63-7	1	19.00 each

RAD CLAMPS ONLY > (give Date Or Serial # 1st And 3rd Quarter) (enter on checkout screen ... car info)				
25-16	Upper Radiator Hose Clamps(all)(dated)	63-7	1 PR	18.00 Pair
25-17	RAD HOSES (see Sect 21-01 AND 21-03)			
25-18A	Lower Radiator Hose Clamps (327/427)(dated)	63-7	1 PR	18.00 Pair
25-18B	Lower Radiator Hose Clamps (396)(dated)	65	1 PR	19.00 Pair

### Radiator Shrouds:

25-19	x Radiator Metal Shroud 63-65 327	63-5	1	\$	n/a
25-20A	x Radiator Fiberglass Shroud (66-67 327) (3 Pc Assembled)	66-7	1		n/a
25-20AN	<b>NOS GM/Radiator Fiberglass Shroud (66-67 327) (3 Pc NOT ASM)</b>	66-7	1	525.00	
25-20B	Radiator Fiberglass Shroud (65 396) (2 Pc Assembled)	65	1	440.00	in stock
25-20C	x Radiator Fiberglass Shroud (66-67 427) (3 Pc Assembled)	66-7	1		xno more

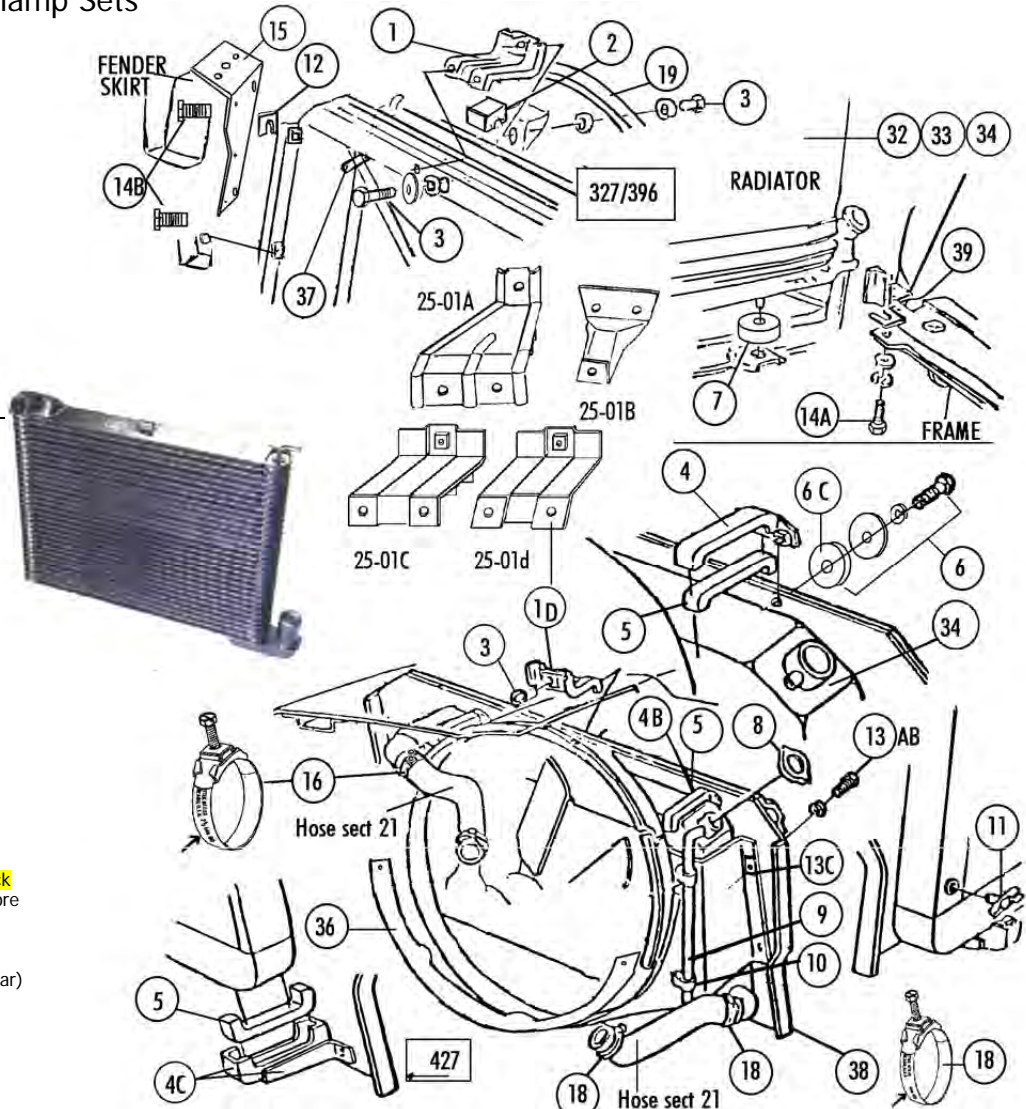
**Hose Clamp Sets** - Includes Applicable Clamps For Radiator, Heater, WP, Bypass & Tripower A/C Hose, exp tank hose(repl) (separate clamps listed in sections 21 & 24)

**Dates Only On Up & Lower Rad Clamps:** (Give Year Of Car, Vin #, Or Date Needed: 1st & 3rd Qtr Each Year)

25-21	Hose Clamp Set 327 (14 Pc) (loper no a/c)	63-7	1 SET	45.00 Set
25-22	Hose Clamp Set 327 lo With A/C (18 Pc)(thru 1/66)	63-6E	1 SET	45.00 Set
25-23	Hose Clamp Set 327 Loper A/C (16 Pc)(aftr 1/66)	66-7	1 SET	45.00 Set
25-24	Hose Clamp Set 327 Hiper (16 Pc) (no a/c)	63-7	1 SET	45.00 Set
25-25	Clamp Set 327 Hiper & A/C (20 Pc)(thru 11/65)	63-6E	1 SET	49.00 Set
25-26	Clamp Set 327 Hiper & A/C (18 Pc)(after 11/65)	66L-7	1 SET	48.00 Set
25-27	Hose Clamp Set 427 (10 Pc) (not a/c, not tripower)	66-7	1 SET	40.00 Set
25-28	Hose Clamp Set 427 With A/C (12 Pc) (not 3x2)	66-7	1 SET	40.00 Set
25-29	Hose Clamp Set 427 Tripower (12 Pc) (no a/c)	67	1 SET	48.00 Set
25-30	Clamp Set 427 Tripower With A/C (14 Pc)	67	1 SET	49.00 Set
25-31	Hose Clamp Set 396 (16 Pcs)	65	1 SET	54.00 Set

### Radiators - Dewitt's Radiators - Correct Repros - XXXXX order direct from Dewitts. x

25-32A	Radiator (Aluminum Reproduction)(327)-DATED (+SHIP\$ 2-3WKS)	63-7	1	x	
25-34A6	Radiator (427 4 Spd)(correct Brass)(Dewitts) x	66	1	xwe don't sell	
25-34A7	Radiator (427 4 Spd)(Correct Brass)(Dewitts) x u	67	1	xwe don't sell	
25-36A	Fan Shroud Extension (327 A/C)	66-7	1	\$ 110.00	
25-36B	Fan Shroud Extension (427 A/C)	66-7	1	\$ 110.00	
25-36C	A/C Shroud Extension U-nut & Bolt (WB) Set	66-7	1 SET	4.75 Set	
25-37A	327 Rad Support Cross Rod Lower STRAPS (1 pair)	63-5	1 PR	19.00 Pair	
25-37B	Radiator Support Cross Rods (327/no Ac) x	63-5	1 PR	n/a	
25-37C	Rad Support Cross Rods(65/396,66-7/327+427 No Ac	65-7	1 PR	20.00 Pair	
25-41A	<b>Metal Tag For 427 Radiator With Auto(MJ 3008566)</b>	66-8	1	15.00	
25-41B	Metal Tag For 427 4 Spd Brass Rad (MK 3008567)	66-8	1	15.00	



Fans and fan clutches - see section 24 radiator hoses see section 21

**PRICE \$ increase all supports 6-2021 AND ALLOW 2 WEEKS FOR drop ships. (+ship \$30-\$60)**

**Radiator Supports USA! drop ship about 2 weeks USA REPROS (except KN =nos/orig) \$**

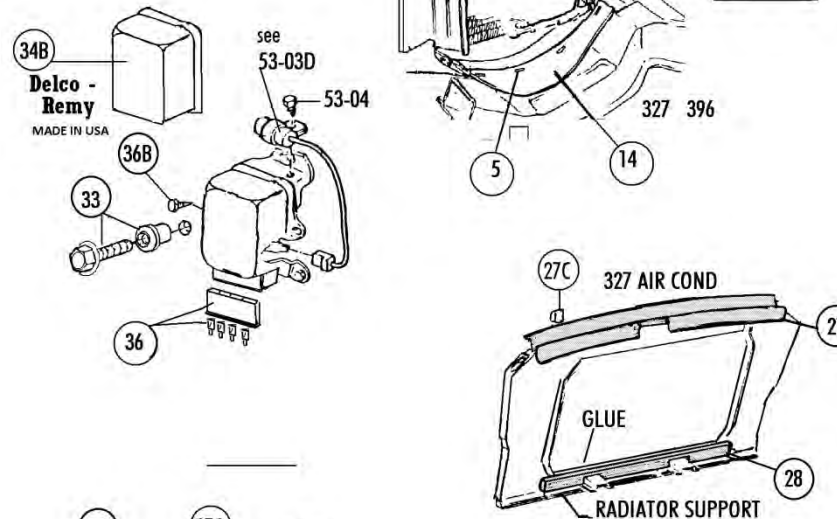
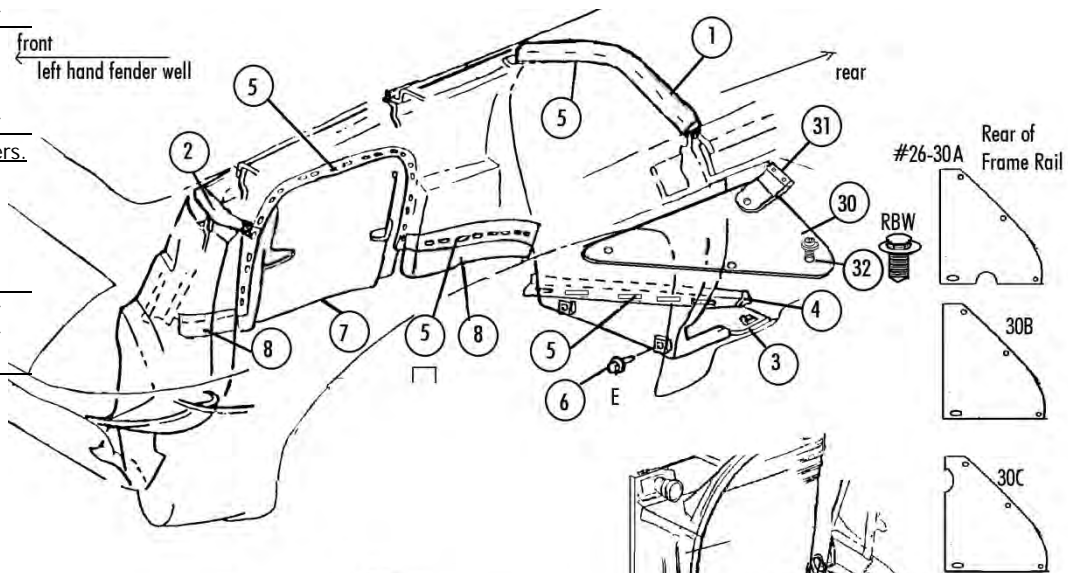
25-38A	Radiator Support (4 Spd Or Auto)(no A/C)	63	1	\$ 495.00
25-38C	Radiator Support 63 FI	63	1	\$ 680.00
25-38D	Radiator Support 63 A/C , 4 Spd Or Auto	63	1	\$ 525.00
25-38F	Radiator Support 64-65 327 (4 Spd Or Auto)	64-5	1	\$ 450.00
25-38H	Radiator Support (64-65 A/C, 4 Spd Or Auto)	64-5	1	\$ 495.00
25-38KN	Radiator Support (64-5 FI) <b>NOS/ORIG GM) spl\$ &gt;</b>	64-5	1	<b>\$ 450.00</b>
25-38L	Radiator Support 65 396	65+7	1	\$ 680.00
25-38R	Radiator Support (66-67 327 no A/C)	66-7	1	\$ 495.00
25-38S	Radiator Support (66-67 327 A/C)	66-7	1	\$ 495.00
25-38T	Radiator Support (66-67 427 no A/C)	66-7	1	\$ 495.00
25-38U	Radiator Support (427 A/C)	66-7	1	\$ 520.00
25-39	<b>Radiator Support Large Square Mounting Nuts (pr)</b>	<b>63-7</b>	<b>1 PR</b>	<b>15.00 Pair</b>

25-40A	<b>Radiator Lower Support (327/396 Repair Piece)</b>	lower \$	63-5	1	85.00
25-40B	Radiator Lower Support (327 Repair Piece)	lower \$	66-7	1	85.00
25-40C	Rad Lower Support (427 Repair Pc)(use With 25-04C)		66-7	1	60.00



Section # 26 Fender Skirt Rubber Seals ● Metal Splash Shields ● Fender And Radiator Seals & Voltage Regulator & Mounts

Sec- Part#	Name	Year	#Need/Car	Price Inc
26-01	Fender Skirt Upper Seal (pr) (rear)	64-7	1 PR	\$ 9.00 Pair
26-02	Fender Skirt Upper Seal (pr) (front)	64-7	1 PR	9.00 Pair
26-03A	<b>Metal Splash Shield LH (front)</b>	63L-7	1	35.00
26-03A3	Splash Shield LH (front) - 63E (til April63?)	63E	1	45.00
26-03B	Metal Splash Shield RH (front)	63-7	1	35.00
26-04	Seals (ribbed) (2)(for splash shields #3) (non S/P)	63-7	1 PR	10.00 Pair
<u>&gt;Correct style preformed round wire, magnetic staples, easy to install, drill, push thru, bend w pliers.</u>				
26-05A	Staples (magnetic S.S.)(set Of 10) (for 26-04)	63-7	1 SET	2.00 Set
26-05B	Staples (magnetic S.S.)(set Of 25)	63-7	1 SET	5.00 Set
26-05C	Staples (magnetic S.S.)(set Of 35)	63-7	1 SET	7.00 Set
26-05D	Staples (magnetic S.S.)(set Of 50)	63-7	1 SET	10.00 Set
26-06	Small Splash Shield Bolt Set (for #3)(8 Pc) (E)	63-7	1 SET	7.50 Set
26-07A	<b>Inner Fender Dust Rubber Shields (pr)(on A-Arm)</b>	63-6	1 PR	12.00 Pair
26-07B	Inner Fender Dust Rubber Shields (pr)(on A-Arm)	67	1 PR	12.00 Pair
26-08	Lower Inner Fender Skirt Seal Set (4 Pc)	63-7	1 SET	8.00 Set
26-10,11	Radiators and Shrouds see section 25			
26-14A	Radiator Lower Seal (327) (uses 5 Staples)	63-5	1	8.00
26-14B	Radiator Lower Seal (396 Only)	65	1	12.00
26-27A	Upper Radiator Seal & 4 Clips (327-A/C)	66-7	1	40.00
26-27B	Upper Radiator Seal & 6 Clips (427-A/C)	66-7	1	40.00
26-27C	Clip Only (6) For Upper Rad Seal 327&427	66-7	1	10.00
26-28	Lower Radiator/support Seal (327 A/C)	66-7	1	11.00
26-29	Rad. Side And Lower Seals (427 A/C)(3 Pc)	66-7	1 SET	13.00 Set
26-37	Upper Radiator Seal (396)	65	1	10.00
26-30A	<b>Metal Splash Shield LH,Rear</b> (All 327/396/427)	64-7	1	18.00
26-30B	Metal Splash Shield RH,rear (327)	64-7	1	18.00
26-30C	Metal Splash Shield RH,rear (396/427)	65-7	1	18.00
26-31A	Accel Pedal Bracket With Rivets	63	1	9.00
26-31B	Splash Shield & Accel Pedal <b>Bracket LH</b>	64-7	1	10.50
26-31C	Splash Shield Bracket RH	64-7	1	10.00
26-32	<b>Bolt Set (8)(RBW) for Large Splash Shield#30</b>	64-7	1 SET	<b>9.00</b> Set
<b>Voltage Regulator and Mounting</b>				
26-33A	Volt Reg Mtg Bolts & Lw (on Rad Supt)(63,63-5A/C) (3)	63	1 SET	1.25 Set
<b>26-33B</b>	<b>Voltage Regulator Mounts &amp; Bolts(Z)(on Fender)</b>	63L-7	1 SET	7.00 Set
26-34A	<b>Voltage Regulator (replacement, NO WORDING) USA</b>	63-7	1	<b>\$ 67.00</b>
26-34B	X Voltage Regulator COVER ONLY ' Delco Remy' wording	63-7	1	N/A
correct size 'DELCO REMY' wording for orig vreg. (will not fit on repl VReg)				
26-35	Radiator/shroud Seal (427 A/C)	66-7	1	5.00
26-36	Voltage Regulator Plug & Terminals (1+4)	63-7	1	4.00
26-36B	Voltage Regulator Ground Wire Screw	63-7	1	0.50



**How Many Staples ?**

Correct style, preformed round wire, magnetic staples,  
easy to install, drill, push thru, bend with pliers.

(this are is usually oversprayed)

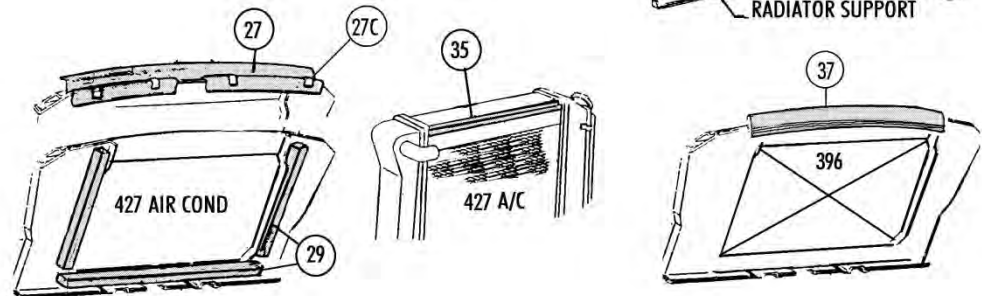
Staples Are Sold In Sets -See #26-05A-D

# Of Staples Needed Per Item #'S Above

#26-01 Uses 10 Staples /Pr #26-02 Uses 10 Staples /Pr

#26-07 Uses 22 Staples/Pr #26-08 Uses 12 Staples/Set

#26-04 Uses 10 Staples/Pr #26-14 Uses 5 Staples





**CALENDAR - USEFUL FOR LOOKING UP PRODUCTION DATES FOR DATE CODED ITEMS**

**1962**

S	M	T	W	T	F	S	S	M	T	W	T	F	S	S	M	T	W	T	F	S	S	M	T	W	T	F	S
JAN						APR						JULY						OCT									
1	2	3	4	5	6	1	2	3	4	5	6	7	1	2	3	4	5	6	7	1	2	3	4	5	6	7	
7	8	9	10	11	12	13	8	9	10	11	12	13	14	8	9	10	11	12	13	14	7	8	9	10	11	12	13
14	15	16	17	18	19	20	15	16	17	18	19	20	21	15	16	17	18	19	20	21	14	15	16	17	18	19	20
21	22	23	24	25	26	27	22	23	24	25	26	27	28	22	23	24	25	26	27	28	21	22	23	24	25	26	27
28	29	30	31	29	30	29	30	31	29	30	31																
FEB						MAY						AUG						NOV									
4	5	6	7	8	9	10	6	7	8	9	10	11	12	5	6	7	8	9	10	11	4	5	6	7	8	9	10
11	12	13	14	15	16	17	13	14	15	16	17	18	19	12	13	14	15	16	17	18	11	12	13	14	15	16	17
18	19	20	21	22	23	24	20	21	22	23	24	25	26	19	20	21	22	23	24	25	18	19	20	21	22	23	24
25	26	27	28	27	28	29	30	31	26	27	28	29	30	31	25	26	27	28	29	30	25	26	27	28	29	30	
MAR						JUNE						SEPT						DEC									
4	5	6	7	8	9	10	3	4	5	6	7	8	9	2	3	4	5	6	7	8	2	3	4	5	6	7	8
11	12	13	14	15	16	17	10	11	12	13	14	15	16	16	17	18	19	20	21	22	9	10	11	12	13	14	15
18	19	20	21	22	23	24	17	18	19	20	21	22	23	16	17	18	19	20	21	22	9	10	11	12	13	14	15
25	26	27	28	29	30	31	24	25	26	27	28	29	30	30	23	24	25	26	27	28	29	30					

**1965**

S	M	T	W	T	F	S	S	M	T	W	T	F	S	S	M	T	W	T	F	S	S	M	T	W	T	F	S
JAN						APR						JULY						OCT									
3	4	5	6	7	8	9	4	5	6	7	8	9	10	4	5	6	7	8	9	10	3	4	5	6	7	8	9
10	11	12	13	14	15	16	11	12	13	14	15	16	17	11	12	13	14	15	16	17	10	11	12	13	14	15	16
17	18	19	20	21	22	23	18	19	20	21	22	23	24	18	19	20	21	22	23	24	17	18	19	20	21	22	23
24	25	26	27	28	29	30	25	26	27	28	29	30	25	26	27	28	29	30	31	24	25	26	27	28	29	30	
31	FEB						MAY						AUG						NOV								
1	2	3	4	5	6	7	8	9	10	11	12	13	2	3	4	5	6	7	8	1	2	3	4	5	6	7	
14	15	16	17	18	19	20	9	10	11	12	13	14	15	8	9	10	11	12	13	14	7	8	9	10	11	12	13
21	22	23	24	25	26	27	16	17	18	19	20	21	22	15	16	17	18	19	20	21	14	15	16	17	18	19	20
28	MAR						JUNE						SEPT						DEC								
1	2	3	4	5	6	7	8	9	10	11	12	13	5	6	7	8	9	10	11	1	2	3	4	1	2	3	4
14	15	16	17	18	19	20	12	13	14	15	16	17	18	12	13	14	15	16	17	18	5	6	7	8	9	10	11
21	22	23	24	25	26	27	19	20	21	22	23	24	25	19	20	21	22	23	24	25	19	20	21	22	23	24	25
28	APR						MAY						JUNE						JULY								
1	2	3	4	5	6	7	8	9	10	11	12	13	2	3	4	5	6	7	8	1	2	3	4	1	2	3	4
14	15	16	17	18	19	20	9	10	11	12	13	14	15	8	9	10	11	12	13	14	7	8	9	10	11	12	13
21	22	23	24	25	26	27	16	17	18	19	20	21	22	15	16	17	18	19	20	21	14	15	16	17	18	19	20
28	MAY						JUNE						JULY						AUG								
1	2	3	4	5	6	7	8	9	10	11	12	13	5	6	7	8	9	10	11	1	2	3	4	1	2	3	4
14	15	16	17	18	19	20	12	13	14	15	16	17	18	12	13	14	15	16	17	18	5	6	7	8	9	10	11
21	22	23	24	25	26	27	19	20	21	22	23	24	25	19	20	21	22	23	24	25	19	20	21	22	23	24	25
28	JUNE						JULY						AUG						SEPT								
1	2	3	4	5	6	7	8	9	10	11	12	13	2	3	4	5	6	7	8	1	2	3	4	1	2	3	4
14	15	16	17	18	19	20	9	10	11	12	13	14	15	8	9	10	11	12	13	14	7	8	9	10	11	12	13
21	22	23	24	25	26	27	16	17	18	19	20	21	22	15	16	17	18	19	20	21	14	15	16	17	18	19	20
28	AUG						SEPT						OCT						NOV								
1	2	3	4	5	6	7	8	9	10	11	12	13	5	6	7	8	9	10	11	1	2	3	4	1	2	3	4
14	15	16	17	18	19	20	12	13	14	15	16	17	18	12	13	14	15	16	17	18	5	6	7	8	9	10	11
21	22	23	24	25	26	27	19	20	21	22	23	24	25	19	20	21	22	23	24	25	19	20	21	22	23	24	25
28	NOV						DEC																				
1	2	3	4	5	6	7	8	9	10	11	12	13	2	3	4	5	6	7	8	1	2	3	4				
14	15	16	17	18	19	20	9	10	11	12	13	14	15	8	9	10	11	12	13	14	7	8	9	10	11	12	13
21	22	23	24	25	26	27	16	17	18	19	20	21	22	15	16	17	18	19	20	21	14	15	16	17	18	19	20
28	DEC																										
1	2	3	4	5	6	7	8	9	10	11	12	13	14	7	8	9	10	11	12	13	6	7	8	9	10	11	12

**1963**

S	M	T	W	T	F	S	S	M	T	W	T	F	S	S	M	T	W	T	F	S	S	M	T	W	T	F	S
JAN						APR						JULY						OCT									
1	2	3	4	5	6	1	2	3	4	5	6	1	2	3	4	5	6	1	2	3	4	5	6				
7	8	9	10	11	12	7	8	9	10	11	12	13	7	8	9	10	11	12	13	6	7	8	9	10	11	12	
13	14	15	16	17	18	19	14	15	16	17	18	19	20	14	15	16	17	18	19	20	13	14	15	16	17	18	19
20	21	22	23	24	25	26	21	22	23	24	25	26	27	21	22	23	24	25	26	27	20	21	22	23	24	25	26
27	28	29	30	31	28	29	30	28	29	30	31	27	28	29	30	31											
FEB						MAY						AUG						NOV									
3	4	5	6	7	8	9	5	6	7	8	9	10	11	4	5	6	7	8	9	10	3	4	5	6	7	8	9
10	11	12	13	14	15	16	12	13	14	15	16	17	18	11	12	13	14	15	16	17	10	11	12	13	14	15	16
17	18	19	20	21	22	23	19	20	21	22	23	24	25	18	19	20	21	22	23	24	17	18	19	20	21	22	23
24	25	26	27	28	26	27	28	29	30	31	25	26	27	28	29	30	31	24	25	26	27	28	29	30			
MAR						JUNE						SEPT						DEC									
3	4	5	6	7	8	9	2	3	4	5	6	7	8	1	2	3	4	5	6	7	1	2	3	4	5	6	7
10	11	12	13	14	15	16	9	10	11	12	13	14	15	15	16	17	18	19	20	21	8	9	10	11	12	13	14
17	18	19	20	21	22	23	16	17	18	19	20	21	22	22	23	24	25	26	27	28	22	23	24	25	26	27	28
24	25	26	27	28	29	30	23	24	25	26	27	28	29	29	30	29	30	31	29	30	31						

**1966**

S	M	T	W	T	F	S	S	M	T	W	T	F	S	S	M	T	W	T	F	S	S	M	T	W	T	F	S
JAN						APR						JULY						OCT									
2	3	4	5	6	7	8	3	4	5	6	7	8	9	3	4	5	6	7	8	9	2	3	4	5	6	7	8
9	10	11	12	13	14	15	10	11	12	13	14	15	16	10	11	12	13	14	15	16	9	10	11	12	13	14	15
16	17	18	19	20	21	22	17	18	19	20	21	22	23	17	18	19	20	21	22	23	16</						

## Section # 27 Battery Trays And Hardware

Sec-Part#	Name	Year	#need/Car	Price
27-01A	Battery Box (63-65 327 Non A/C)	63-5	1	\$ 52.00
27-01B	Battery Box (66 non A/C)	66	1	55.00
27-02	Battery Retainer And Shield (after 2/2/63)	63-6	1	32.00
27-02A	Battery Retainer And Shield (before 2/2/63)	63E	1	39.00
27-03	J-bolt (1),battery mount, see 27-27 set	63-6	1	
27-04	Stud And Nut, battery mount, see 27-27 set	63-7	1	
27-05	Wingnuts And Washers (2 Ea)	63-7	1 SET	3.00 Set
27-27 ▶	J-bolt,stud,wingnut Set (1 Jbolt, 1 stud, 2 wingnuts)	63-6	1 SET	10.00 Set
27-06A	Battery Box Mounting Bolt & Washer Set (4 Ea)	63-7	1 SET	4.00 Set
27-07	Positive Terminal Felt	63-7	1	0.75
27-29	Battery Retainer Spacers (4 Pc) (63 early thru 10/18/62)	63E	1 SET	3.50 Set
27-06A	Battery Box Mounting Bolt & Washer Set (4 Ea)	63-7	1 SET	5.00 Set
27-06B	Batt Box Mount Bolt & Wash Set(A/C Or 396)(6 Ea)	65L-7	1 SET	7.00 Set
27-06C	Batt Box Mount Bolt & Washer Set (A/C)(6 Ea)	63-5E	1 SET	6.50 Set
27-07	Positive Terminal Felt	63-7	1	1.00
27-08	2-hole Plastic Strap (cable To battery shield)	63-7	1	2.00
27-27 ▶	J-bolt,stud,wingnut Set (#3,4,5)	63-6	1 SET	10.00 Set
27-28 ▶	J-bolt & Wingnut Set (A/C Or 396)(#22,#5)	63-7	1 SET	11.00 Set

### 1967 non a/c

27-11	Battery Box- 67 (non a/c)	67	1	\$ 58.00
27-12	Battery Retainer 'clamp'	67	1	9.00
27-13	Battery Retainer Bolt (E Hdmk)	67	1	1.00
27-14	Battery Heat Shield- 67	67	1	22.00
27-06A	Battery Box Mounting Bolt & Washer Set (4 Ea)	63-7	1 SET	4.00 Set
27-07	Positive Terminal Felt	63-7	1	1.00

### 63-67 Air Cond or 1965 396

27-20	Battery Box (A/C Or 396)	63-7	1	\$ 58.00
27-21B	Battery Retainer(A/C Or 396)(exact Reproduction)	63-7	1	22.00
27-22	J-bolt (A/C Or 396) (battery)(1)	63-7	2	4.00 Each
27-28 ▶	J-bolt & Wingnut Set (A/C Or 396)(#22,#5)	63-7	1 SET	11.00 Set
27-06B	Batt Box Mount Bolt & Wash Set(A/C Or 396)(6 Ea)	65L-7	1 SET	6.00 Set
27-06C	Batt Box Mount Bolt & Washer Set (A/C)(6 Ea)	63-5E	1 SET	6.00 Set
27-07	Positive Terminal Felt	63-7	1	1.00
27-30	Battery Access Panel W Hardware & Seal (396/A/C)	63-7	1 SET	169.00 Set
08-31	battery access panel hardware only (t-nuts, bolts,rivets)	63-7	1	22.00 set

27-97	Battery Rejuvenator Fluid		1	\$ 3.95
27-98	Battery Charger- Auto Level Adjusting		1	20.00
27-99	Battery Saver/antitheft Shut Off Switch (toppost)	63-7	1	9.50

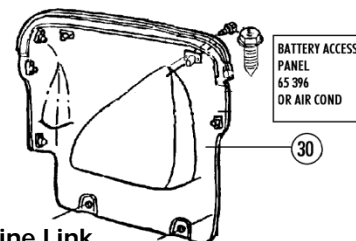
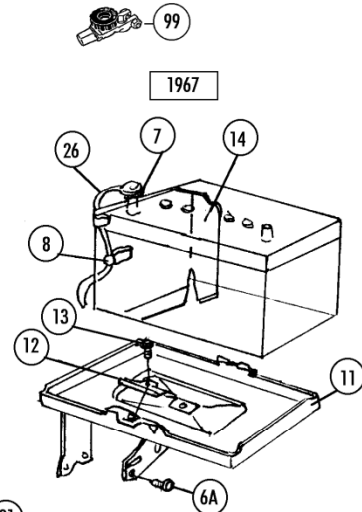
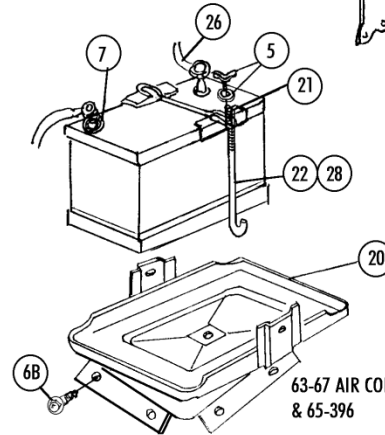
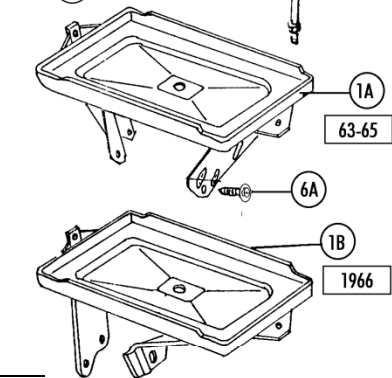
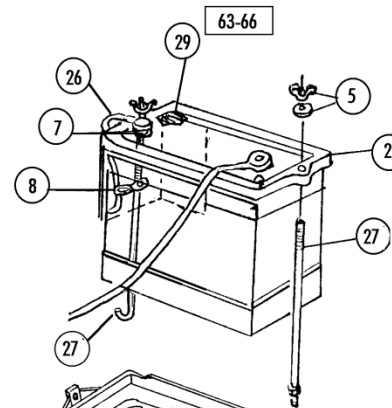
### Battery Cables Correct "Spring Ring" Type; Black/Brown With Writing (Lectric Ltd Brand)

43-08A	Spring Ring Battery Cables ,63-5 327 (no a/c)	63-5	1 PR	\$ 110.00 Pair
43-08B	Spring Ring Bat Cables, 63 A/C (with Braided Neg)	63	1 PR	110.00 Pair
43-08C	Spring Ring Battery Cables, 64-65 327 A/C	64-5	1 PR	110.00 Pair
43-08D	Spring Ring Battery Cables, 396	65	1 PR	110.00 Pair
43-08E	Spring Ring Cables, 327 A/C & 427 A/C	66-7	1 PR	110.00 Pair
43-08F	Spring Ring Battery Cables, 66-67 327 (no a/c)	66-7	1 PR	110.00 Pair
43-08G	Spring Ring Battery Cables, 66-67 427 (no a/c)	66-7	1 PR	110.00 Pair

All of our battery boxes  
**#27-01A/B,11,20**  
**& 27-02 & 27-02B**  
**Made in USA**

SEE PHOTOS ONLINE

Correct legs- yes



We do not sell Batteries.

Photos of all part online – thru Shop Online Link





Section #28 Clutch ● Accelerator ● Brake : Z-bar, Springs, Rods, Pedals, Levers, Switches, Bell Housings, Flywheel

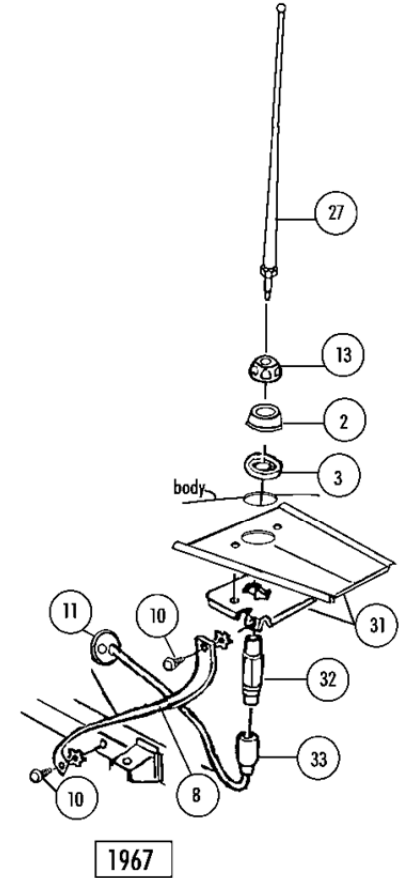
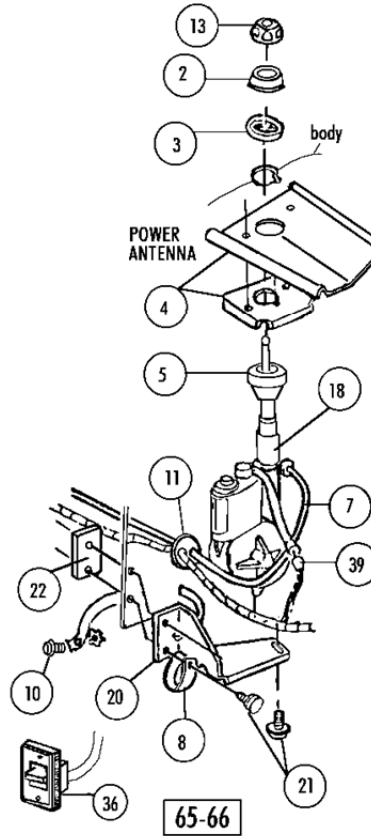
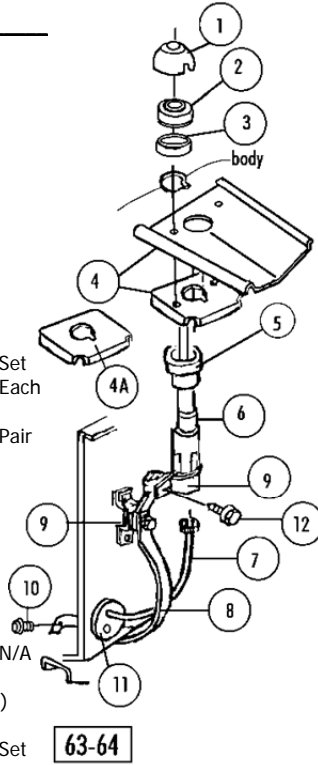
Section-Part Name	Year	#need	Car price
28-01A Clutch Fork With Clip 1963	63	1	\$ 95.00
28-01B Clutch Fork With Clip 64-67	64-7	1	80.00
28-01C Spring Clip & Rivet For Clutch Fork	63-7	1	21.00
28-02 Clutch Fork Boot (on bell housing)	63-7	1	8.00
28-03A Clutch Fork Rod 63 (pin end, 11.5"OL)	63	1	40.00
28-03B Clutch Fork Rod (327) (11") (GM ORIG)	64-5	1	23.00
28-03C Clutch Fork Rod (396/427) (9") yes c=d	65-7	1	16.00
28-03D Clutch Fork Rod (327) (9") yes c=d	66-7	1	16.00
28-04 Fork Rod Pin And Cotter Pin	64-7	1	3.00
28-05A Antirattle Spring (63 clutch fork rod)	63	1	5.50
28-05B Antirattle Springs (2) (clutch fork rod)	64-7	1 PR	6.00 Pair
28-06A Clutch Cross Shaft (327) (USA) (Z-bar)	63-5	1	\$75.00 USA!
28-06B Clutch Cross Shaft (396/427) (USA) (Z-bar)	65-7	1	75.00 USA!
28-06C Clutch Cross Shaft (327) (USA) (Z-bar) (FYI B=C)	66-7	1	75.00 USA!
28-07A Clutch Stud & Seal To Engine	63-7	1	21.00
28-07B Rubber Seal For Clutch Ball To Engine	63-7	1	2.00
28-08H Clutch Ball stud Set (=8A,8B,8C,8D,8E,8F) (WITH STUD #28-08A)	63-7	1 SET	26.50 Set
28-08J Clutch Ball SEAL & hdre Set (NO STUD 8B,8C,8D,8E,8F)	63-7	1 SET	13.00 Set
28-08A Clutch Stud To Frame	63-7	1	13.00
28-08B Plastic Seat- Clutch Ball (pr)	63-7	1 PR	7.00 Pair
28-08C Spring Retainer- Clutch Seat	63-7	1	2.00
28-08D Felt Seal for clutch ball to frame	63-7	1	1.50
28-08E Clutch Ball Lock Washer	63-7	1	3.00
28-08F Clutch Ball Nut	63-7	1	0.25
28-08G Frame Bracket-weld To Frame(for Clutch Ball)	63-7	1	17.50
28-09A Grease Fitting (on clutch cross shaft)	63-7	1	0.95
28-09B Red Plug For Cross Shaft	64-7	1	2.00
28-10A 63-66 Clutch Pedal With Shaft(use With Pin Bkt 10c,10d)	63-6	1	\$ 85.00
28-10B 1967 Clutch Pedal With Shaft (67 with Pin Bkt 10E) & pad	67	1	\$ 95.00
28-10C Clutch Pedal Pin Bracket (63-66 327)	63-6	1	28.00
28-10D Clutch Pedal Pin Bracket (65-66 396/427)	65-6	1	28.00
28-10E Clutch Pedal Pin Bracket (67 All)(weld On)	67	1	25.00
28-10F Clutch Pedal Shaft	63-7	1	15.00
28-10G Bolt Set For Pin Bracket	63-6	1 SET	2.00 Set
28-11 Retainer Clip (clutch Pedal)	63-7	1	1.75
28-12 Clutch Pedal Pad	63-7	1	6.00
28-13 Clutch Pedal Bumper	63-7	1	3.50
28-14A Clutch Push Rod (327)(correct Length) (18")	63-5	1	26.00
28-14B Clutch Push Rod (65/396,66-7/327,427)(19-1/4")	65-7	1	26.00
28-15 Clutch Push Rod Spacer	63-7	1	1.50
28-16 Retainer Clip (J-clip)(2), on clutch rods	63-7	1 PR	1.50 Pair
28-17A Clutch Rod Boot (2 Hole)(until Early 65)	63-5E	1	10.00
28-17B Clutch Rod Boot (3 Hole)(starting Late 65)	65L-7	1	15.50
28-18A Two Hole Boot Retainer With 2 Bolts	63-5E	1	8.00
28-18B Three Hole Boot Retainer With Rivets & Screws	65L-7	1	8.50
28-18C Clutch Boot Screws (3 Pc)	65-7	1 SET	1.00 Set
28-19 Clutch Push Rod Swivel	63-7	1	8.00
28-20 Clutch Push Rod Swivel Nuts (pr)	63-7	1 PR	0.75 Pair
28-22 Clutch Return Spring	63-7	1	5.00
28-23A Clutch Return Spring BRACKET	63-6	1	9.50
28-23B Clutch Return Spring Bracket	67	1	7.50
28-24A Brake Pedal (63-66 4 SPD)	63-6	1	\$ 99.00
28-24B Brake Pedal With Auto (63-66) X no more- discontinued.	63-6	1	n/a
28-24C Brake Pedal (1967 4 SPD)	67	1	99.00
28-24D Brake Pedal With Auto (1967)	67	1	99.00
28-25A Brake Pedal Pad, 4 spd, no PB	63-7	1	6.00
28-25B Brake Pedal Pad, 4 spd with Power Brakes	63-7	1	6.50
28-25C Brake Pedal Pad Auto, no Power	63-7	1	8.00
28-25D Brake Pedal Pad, Auto & P/B	63-7	1	8.00
28-26 Brake & Clutch Pedal Bushings (4 Pc)	63-7	1 SET	6.00 Set
28-27 Brake Pedal Shaft- Auto	63-7	1	18.00
28-28A Brake Pedal Return Spring (Std & PB)	63-6	1	5.00
28-28B Brake Pedal Return Spring (STD & PB)	67	1	5.00
28-28C Brake Spring Bushing	63-6	1	4.00
28-28D Brake Spring Bushing	67	1	2.00
28-29 Brake Pedal Bumper	63-7	1	3.50
28-29B Bracket (weld On) for Brake Pedal Bumper& Switch	63-6	1	25.00



28-30 Master Cylinder Gasket (no P/B)	63-7	1	3.00
28-31 Brake Push Rod (not P/B)	63-7	1	5.75
28-32 Clevis (standard Or Power Brakes)	63-7	1	15.00
28-33 Push Rod Nut	63-7	1	0.50
28-34 Brake Clevis Pin	63-7	1	5.00
28-35 Retainer (for Brake Clevis Pin)	63-7	1	3.25
28-36 Washer (bowed)	63-7	1	1.00
28-37 Brake Master Cylinder Boot (non P/B)	63-7	1	6.50
28-38B Accelerator Pedal (with #39)(best repro)	63-7	1	25.00
28-39 Accelerator Anti-squeak Pad	63-7	1	1.50
28-40 Accelerator Pedal Screws (pr) (Zinc)	63-7	1 SET	2.00 Set
28-41 Accelerator Pedal Spacer	63-7	1	5.00
28-42A Accel Pedal Mounting Bracket With Rivets	63	1	9.00
28-42B Accel Pedal Mounting Bracket With Rivets	64-7	1	10.50
28-44A X 63 Accelerator Pedal Swivel Rod	63	1	N/A
28-44B X 64-7 Accelerator Pedal Swivel Rod	64-7	1	N/A
28-45 Accel Swivel, Support, Bushing & Bolt Set	63-7	1 SET	35.00 Set
28-47 Accel Rod Bushings (pr) (in #28-45 accel swivel)	63-7	1 PR	2.50 Pair
28-48A Bolts & Washers (2 Each) (for accel swivel#45)	63-7	1 SET	1.50 Set
28-48B Bolt, Nut & Washers for Accelerator Lever:	63-7	1 SET	2.50 Set
28-49A Accelerator Lever (250-360hp).	63	1	\$39.00
28-49C Accelerator Lever (250+350+365hp+375hp)	64-5	1	\$ 39.00
28-49D Accelerator Lever (300hp)	64-5	1	39.00
28-49F Accel Lever (65/396,66/390-425 4spd,66-7/327)	65-7	1	39.00
28-49G x Accelerator Lever (427/390 Auto)	66	1	N/A
28-49H x Accelerator Lever (427/390-400 Auto)	67	1	N/A
28-49K Accelerator Lever (427/390-435 4 Spd)	67	1	39.00
28-50A Clutch Inspection Plate Bolts (slotted)(4 Pc)	63-6	1 SET	3.75 Set
28-50B Clutch Inspection Plate Bolts (INDENTED HEX E MARK)(4 Pc)	63-7	1 SET	6.00 Set
28-51 Striker, Screw And Nut (for Power Brake on pedal)	63-7	1	7.50
28-53A Clutch Inspection Plate (327/396)	63-7	1	26.00
28-53B Clutch Inspection Plate (427)	66-7	1	26.00
28-53C Powerglide Lower Cover (see 58-24)	63-7		
28-54A Clutch Housing 1963 3788421 X	63	1	N/A
28-54B Clutch Housing 64-67 327/396/L88 #3858403 X	64-7	1	N/A
28-54C Clutch Housing 66 427 #3872444 X	66	1	N/A
28-54D Clutch Housing 66-67 427 #3899621 (new/repro) X	66-7	1	N/A
28-55 Clutch Bell Housing BOLTS (6 Pc) (M Headmark)	63-7	1 SET	7.00 Set
28-57 Ball Stud In Clutch Housing	63-7	1	10.00
28-58 Clutch Throwout Bearing	63-7	1	33.00
28-59A Brake Light Switch (63-66 was metal ) XX NOT AVAIL use 28-59c	63-6	1	N/A
28-59B Brake Light Switch (white Plastic/original 67)	63-7	1	25.00
28-59C Brake Light Switch BLACK Plastic, replacement for 63-67	63-7	1	7.50
28-60 Nuts For Brake Light Switch (pr)	63-7	1 PR	1.00 Pair
<b>Flywheels: Clutch Kits:</b>			
28-61AR Flywheel (327)(3-4 Spd) imported/replacement (with ringgear)	63-7	1	\$ 185.00
28-61B x Flywheel- Low Mass (396 & L88) x NOT SELLING (still avail GM)	65&7	1	N/A
28-61C x Flywheel (427/4spd)	66-7	1	N/A
28-61D Flywheel (flexplate)(327/auto)	63-7	1	\$ 85.00
28-61E Flywheel (flexplate)(427/auto)	66-7	1	\$ 125.00
28-61F X Flywheel Ring Gear Only (10-1/2") (327/396)	63-7	1	N/A
28-61G Flywheel Ring Gear Only (11") (427)	66-7	1	\$ 45.00
28-61H Bolts For Flexplate (6+3) (auto)	63-7	1 SET	6.75 Set
28-62A X Clutch Kit (327,396,L88)10.5" (pressure plate,clutch disk,throwo bearn	63-7		N/A
28-62AP clutch PRESSURE PLATE ONLY 10.5 27,396,188 last one spl \$ > see online			
28-62B x Clutch Kit (427)(pressure Plate,disk,throwout Bearing Set (11")	66-7		n/a
28-62C BOLT Set (6),Clutch Pressure Plate To Flywheel	63-7	1 SET	9.00 Set
28-64B Transmission Pilot Bearing (needle bearing)	63-7	1	25.00
28-65 Flywheel Bolts And Lw (6 Ea)	63-7	1 SET	6.00 Set
28-66A Nut & Lw- Master Cyl & Brake Bkt To Cowl	63	1 SET	1.50 Set
28-66B Nut & Lw- Master Cyl & Brake Bkt To Cowl	64-5	1 SET	1.50 Set
28-66C Nut & Lw- Master Cyl & Brake Bkt To Cowl	66-7	1 SET	1.75 Set
28-67A Brace Rod Under Dash- Upper	63-7	1	\$ 19.00
28-67B Brace Rod Under Dash- Lower	63-7	1	19.00
28-67C Bolts For Under Dash Rods & Pedal Housing To Cross Brace	63-7	1 SET	7.50 Set
28-67D Reinforcement For Rods To Firewall (Eng Side)	63-7	1	11.00

# Section # 29 Antenna

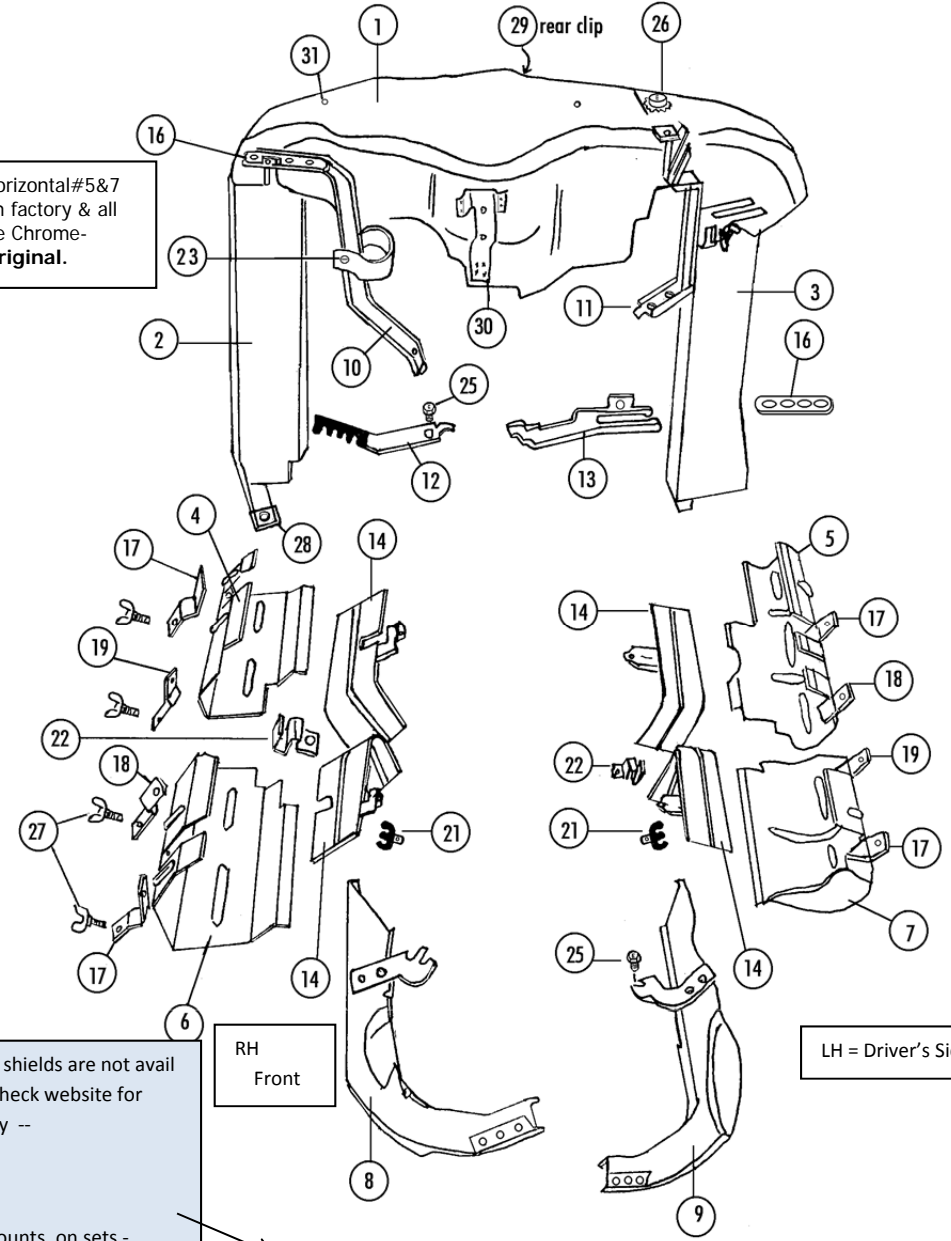
Sec-Part#	Name	Year#	need/Car	Price
<b>63-64 Antenna</b>				
29-01	Antenna Nut	63-4	1	\$ 7.50
29-02	Antenna Bezel	63-7	1	5.00
29-03	Antenna Bezel Gasket	63-7	1	2.00
29-04	Ground Plate & Reinforcement (63-66)	63-6	1	25.00
29-04A	Reinforcement Only- Am Only	63E	1	11.00
29-05	Antenna Underbody Spacer	63-6	1	15.00
29-06A	64 Antenna Body With Mast (17" Chrome)	\$ 64	1	38.00
29-06B	63Antenna With 14"mast (REPL/plastic body)nut,bezel,gasket	63	1	30.00
29-06C	63 Antenna Body With Mast(w bowtie logo)metal(15") <b>cast body</b> /with logo with nut,bezel,gasket,spacer	63	1	60.00
29-07A	Antenna Cable (with Original type round nut)	63-6	1	29.00
29-08	Antenna Ground Strap	63-7	1	7.00
29-09	Antenna Brackets(2),clamp(1),bolts(2),u-nuts(2)	63-4	1 SET	17.00 Set
29-10	Ground Strap Screw And Lw	63-7	1or2	0.75 Each
29-11	Grommet For Antenna Cable & Rear Harness	63-7	1	6.00
29-12	Bolts And Lockwashers (2+2)	63-4	1 PR	1.50 Pair
29-13	Antenna Nut	65-7	1	8.00
<b>65-66 Power Antenna (ALL 65-66 were Power Antenna):</b>				
29-02	Antenna Bezel	63-7	1	5.00
29-03	Antenna Bezel Gasket	63-7	1	2.00
29-04	Ground Plate & Reinforcement (63-66)	63-6	1	25.00
29-05	Antenna Underbody Spacer	63-6	1	15.00
29-13	Antenna Nut	65-7	1	8.00
29-18A	Power Antenna- Original - Not Available	65-6	1	N/A
29-18B	<b>Power Antenna- Replacement (with 2,3,5,13)</b> (replacement = different shape, mast,tip - fits and works (but not for NCRS judg)	65-6	1	210.00
29-20	Mounting Bracket- Power Antenna	65-6	1	22.00
29-21	Bolt Set- Power Antenna Bracket (3 Screws +lw)	65-6	1 SET	2.50 Set
29-22	Mounting Bracket Nut Plate (65-66 Antenna)	65-6	1	10.00
29-07A	Antenna Cable (with Original type round nut)	63-6	1	29.00
29-08	Antenna Ground Strap	63-7	1	7.00
29-10	Ground Strap Screw And Lw	63-7	1or2	0.75 Each
29-11	Grommet For Antenna Cable & Rear Harness	63-7	1	6.00
29-36	<b>Power Antenna Switch With Harness</b>	65-6	1	\$ 99.00
29-36B	Power Antenna Switch Plug & Pigtail	65-6	1	8.00
29-37	Power Antenna Switch Screws & Nuts (2 Ea)	65-6	1 SET	2.00 Set
29-39	x Power Antenna Motor Round Plug (at Antenna)	65-6	1	n/a
<b>1967 Antenna:</b>				
29-02	Antenna Bezel	63-7	1	5.00
29-03	Antenna Bezel Gasket	63-7	1	2.00
29-13	Antenna Nut	65-7	1	8.00
29-27	<b>67 Antenna Mast &amp; Nut</b> -correct Length,ball(.3)	67	1	49.00 Each
29-31	Ground Plate & Reinforcement (1967)	67	1	25.00
29-32	Antenna Body	67	1	2.00
29-33	Antenna Cable	67	1	41.00
29-38	S-Clip For Antenna Cable Under Dash (2) And Under Carpet Support Near Rear Or Door	63-7	1 PR	<b>6.00</b> Pair
29-40	Antenna Shipping Red Cap	67-82	1	2.00



## Section #30 327 Ignition Shielding

Sec -Part#	Name	Year#	Need/CAR	Price
30-01A	Top Ignition Shield With Front Clip (Early 63)	63E	1	\$
30-01B	Top Ignition Shield With Front Clip (late 63)	63L	1	
30-01C	Top Ignition Shield With Front Clip 64 & 65E	64-65E	1	
30-01D	Top Ignition Shield With Front Clip 65 late 327	65L	1	\$224.00
30-01E	x Top Ignition Shield With Front Clip 66-67 327	66-7	1	n/a
30-02	Right Vertical Ignition Shield	63-7	1	46.00
30-03A	Left Vertical Ignition Shield	63	1	46.00
30-03B	Left Vertical Ignition Shield	64-7	1	46.00
30-04A	Right Rear & Front Ignition Shield (One Piece)	63	1	60.00
30-04B	Right Rear Ignition Shield (chrome)	64-5	1	45.00
30-04C	Right Rear Ignition Shield (chrome)	66-7	1	45.00
30-05A	Left Rear/horizontal Ignition Shield (s.s.)	63-5	1	45.00
30-05B	Left Rear/horizontal Ignition Shield (s.s.)	66-7	1	45.00
30-06B	Right Front Ignition Shield (chrome)	64-5	1	45.00
30-06C	Right Front Ignition Shield (chrome)	66-7	1	45.00
30-07A	Left Front/horizontal Ignition Shield (s.s.)	63-5	1	45.00
30-07B	Left Front/horizontal Ignition Shield (s.s.)	66-7	1	45.00
30-08	Right V Ignition Shield	63-9	1	68.00
30-09	Left V Ignition Shield	63-9	1	68.00
30-10	Coil Support Bracket 327	63-7	1	25.00
30-11A	Left Ign Shield Support	63-6	1	25.00
30-11B	Left Shield Support (66L Auto,all 67 4spd+auto)	66-7	1	20.00
30-12A	Right Side Wire Support (4 Holes On One Side)	63-4	1	16.00
30-12B	Right Side Wire Support (2 Holes Each Side)	65-7	1	16.00
30-13	Left Vertical Shield Support (lower)	63-7	1	15.00
30-14S	Spark Plug Heat Shields (SET OF 4)	63-7	2 PR	35.00 SET
30-16	4-hole Rubber Grommets (4 Pc)	63-7	1 SET	7.25 Set
30-17A	Shield Brackets- RH Outer(2) (USA)	63	1 PR	8.00 Pair
30-17C	Shield Bracket- Outer (with FMP Stamp- (USA)	63-7	4	4.00 Each
30-18C	Shield Bracket- Inner (with FMP Stamp)(USA)	63-7	2	4.00 Each
30-19C	Shield Bracket- Inner (with FMP Stamp)(USA)	63-7	2	4.00 Each
30-21	Two-wire Supports (pr) (for Ign wires 327)	63-7	1 PR	4.50 Pair
30-22	Wire Clip (on Oil Pan Bolt)(pr) (for ign wires)	63-7	1 PR	7.00 Pair
30-23	Coil Bolt & LW (327 coil bracket #30-10)	63-7	1	1.00
30-25	Bracket Support Bolts (6 Pc) (E Headmark)	63-7	1 SET	4.75 Set
30-26	Top Bolt With E Headmark (for Top Ign Shield)	63-7	1	1.50
30-27A	Wing Bolts (10) (ignition shield)	63	1 SET	15.00 Set
30-27B	Wing Bolts (12) (for ignition shield)	64-7	1 SET	18.00 Set
30-27C	Wing Bolt (1) for ignition shield	10-12	1.50 Each	
30-28	J-nut (for #02 Right Vertical Ign Shield)	63-7	1	1.00
30-29A	Rear Clip, Carb (on Top Ignition Shield)	63-7	1	16.00
30-29B	Rear Clip, FI (on Top Ignition Shield)	63-5	1	20.00
30-30A	Front Clip With Rivets (Early 63 Top Ign Shield)	63E	1	10.00
30-30B	Front Clip With Rivets (late 63-4 top ign shield)	63L-4	1	10.00
30-30C	Front Clip With Rivets (for top ign shield)	66-7	1	10.00
30-30D	Front Clip With Rivets (for top ignition shield)	65	1	10.00
30-31A	Rivets (metal (3) For Top Ign Shield)	63-4	1 SET	1.00 Set
30-31B	Plastic Rivets (2) (for Top Ignition Shield)	65-7	1 PR	2.50 Pair
30-32A	Top Shield Plastic Liner 327 (3 Hole)	63	1	3.00
30-32B	Top Shield Plastic Liner 327 (2 Hole)	64-7	1	3.00

Yes - all LH horizontal #5&7 came s.s. from factory & all RH #4&6 were Chrome- This is like original.



Some top shields are not avail  
2021 Check website for availability --

- no discounts. on sets -

► 30-33 327 Ignition Shielding Set - (includes all parts, shields, brackets, wingbolts, clips - yes - with heat shields and V shields (#1-32 as req) Specify Carb or FI on Checkout 'car info

30-33A	Ignition Shielding Set (63 Early)(no rear clip on top)	63E	1	\$
30-33B	Ignition Shielding Set (63 Late)	63L	1	
30-33C	Ignition Shielding Set 64 & 65E (t-shape clip)	64-65E	1	
30-33D	Ignition Shielding Set (65 327) (straight clip)	65	1	650.00
30-33E	Ignition Shielding Set (66 327)	66	1	
30-33F	Ignition Shielding Set (67 327)(or Late 66 Auto)	67	1	

Sets- #30-33 and #30-34 already discounted - no additional Discounts -

► 30-34 Ignition Shield Set - No Top Shield, no Rear Clip ( X30-01 X30-29) (includes all shields, brackets, wingbolts, clips, heatshields, V shields

30-34A	327 Ign Shield Set - No Top Shield, No Rear Clip	63	1	\$ 426.00
30-34B	327 Ign Shield Set - No Top Shield, No Rear Clip	64	1	426.00
30-34C	327 Ign Shield Set - No Top Shield, No Rear Clip	65	1	426.00
30-34D	327 Ign Shield Set - No Top Shield, No Rear Clip	66	1	426.00 Set
30-34E	327 Ign Shield Set - No Top Shield, No Rear Clip	67	1	426.00 Set





[www.licorvette.com](http://www.licorvette.com) email = [mail@licorvette.com](mailto:mail@licorvette.com)

Look up section #, part # make sure to give Quantities  
(include suffixes on the part # - ie> 15-09B B Bravo ...

**A few tips on How The Book is Written:**

Section #01 Emblems and Hood Grills

Sec-part#	Name	Year	#need/car	Price
01-01A	front emblem	63	1	\$ x.xx each
01-01C	side emblem	63	2	\$ x.xx each

# need /car column shows how many per car  
not how many in a package

>Make sure you order you order 2 if you want 2

**Minimum order is \$20 before shipping**

Inspect your order when received.

Save your invoice (not web order confirmation)

We put the invoice in the box with your parts.

Returns: - you do not need to call. –simply return with invoice:

up to 30 day with invoice = no restock fee

30-60 days with invoice = 15% restock fee

Over 60 days or no invoice = no returns.

**No returns** on Tools, Decals, Bulbs, Electrical, books,NOS

Supply your email for package notifications when order is shipped.

We ship all packages via UPS

UPS delivers ground packages – Monday through Friday

(2017 ? UPS is testing Saturday deliv in some areas)

UPS AIR is available at Additional Charge

All shipping rates are based on Size of box and weight

-email or call for estimate -

(if you want air on an online/web order

– put a note in the note field (On the checkout screen )

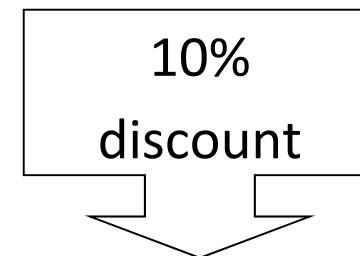
All International shipments including Canada are sent UPS only

(no postal service.)

You will pay all duty, tax, brokerage –we have no way to estimate charges

contact UPS for any fee questions.

UPS Ships Ground to Alaska and Hawaii, and PR – we will ship Ground unless you specify otherwise – put note on checkout screen.



**Applies to each order over \$500**

Applies to each order over \$ 500 (as of 4-3-2019)

(per order, no accumulations, this is not an “ongoing” discount)

**\*Does Not Include (exceptions)**

N.O.S. Parts, Rebuilt Parts, Used Parts, Aluminum Wheels, Side Pipe covers and sets, Carburetors, Radiators, and Dated Convertible Tops, Door Panels, Dash pads, Carpet sets, Distributor Tags, Rad Supports(already discounted) and items that are \$500+ list price. 327 Ign shields SETS(30-33,30-34)no 10% (Set pricing and some Interior parts are already discounted)

- Certain items may be added if they become short in supply.

The above “exceptions” do not receive the discount, but DO count towards the \$ 500 subtotal.

10% orders should be made online or email or fax list (fax 631-225-5030)

If emailed (or your own list with Qty, Section-Part# email.

(no docs or excel pdf only please or paste list into email)

**or order online** >this is the best way – you will see current pricing and the discount will show in the cart once order reaches \$ 500

Regarding RETURNS on \$ 500/10% orders:

If you return parts that cause the subtotal of the original invoice to fall below \$ 475 the 10% discount will be taken back for the entire order.

(We are allowing a \$ 25 leeway for returns without penalty)

Normal return policies apply to 10% orders.

Over 30days 15% restock, No returns after 60 days, no returns without invoice.

(no returns on Electrical, switches, wiring etc, nor decals/ tools.)

(currently available = if online ordering area shows price it should be available and in stock with the exception of fiberglass and special order items.

**10% Discount will show in online cart – (once you reach \$500 subtotal)**

## Section 31 Big Block Ignition Shielding – Coil Supports – Wire Supports

Sec-Part#	Name	Year	#Need/Car	Price
31-01A	X Top Ignition Shield (65 396) With Front Clip –no more	65	1	discontin.
31-01B	Top Ignition Shield (66 427) With Front Clip	66	1	\$ 99.00
31-01C	Top Ignition Shield (67 427-4 Bbl) With Front Clip	67	1	99.00
31-01D	Top Ignition Shield (67 Tripower) With Front Clip	67	1	99.00
31-02A	Front Clip With Rivets (65 396/66 427)	65-6	1	10.00
31-02B	Front Clip With Rivets (67 427-4 Bbl)	67	1	10.00
31-02C	Front Clip With Rivets (Tripower)	67	1	15.00
31-03	Rivets & Washers (2 Ea) (for front clip)	65-7	1 SET	0.75 Set
31-04	<b>Chrome Cover</b> (for Ign top) (with Liner #5)	65-7	1	\$ 79.00
31-05	Cover Plastic Liner (for Big block Top cover)	65-7	1	5.50
31-06	<b>Wing Bolt</b> (ignition shield) (1)	65-7	6	1.50 Each
31-06B	<b>Wing Bolts</b> (set of 6) (for ign shield BB)	65-7	1	9.00 set
31-07	Rear Grommet Round (ignition shield top)	65-7	1	1.50
31-08	Ignition Bracket LH (396/427)	65-7	1	22.00
31-09A	Ignition Bracket RH (396)	65	1	19.00
31-09B	X Ignition Bracket RH (427) > IN SETS ONLY , low stock66-7	66-7	1	x
31-10	Grounding Nuts (pr)	65-7	1 PR	1.00 Pair
31-11	4-hole Grommet (2) (396/427 Ign shield,square)	65-7	1 PR	5.00 Pair
31-12	3+1 Wire Support On V/c	65-6	1	3.50
31-13	4 Wire Support (no Stand) (LH)	65-7	1	2.75
31-14	2 Wire Support On Valve cover (1)	65-7	2	2.75 Each
31-15	4 Wire Support on RH valve cover (67)	67	1	2.75
31-22	65-66 <b>Plastic Wire Support Set</b> (4 Pc) (12,13,14X2)	65-6	1 SET	11.00 Set
31-23	67 <b>Plastic Wire Support Set</b> (4 Pc) (13,14(2),15)	67	1 SET	11.00 Set

### 65-66 Barrel Shields

31-17A	Plug Barrel Shield (set of 8) (396/427)	65-6	1 SET	\$ 78.00 Set
31-17B	Plug Barrel Shield (396/427)(each) ltd qty	65-6	8	12.00 Each
31-18	Plug Shield Bolts & Washers (8 Ea) (E)	65-6	1 SET	12.00 Set

### Coil Supprt

31-19A	Ignition <b>Coil Support</b> & Screw (396/427 Exc 3x2)	65-7	1	\$ 20.00
31-19B	Ignition Coil Support & Screw (427 3x2)	67	1	20.00
31-19C	427 Ignition Coil Screw	65-7	1	1.00
31-20	Coil Support Mounting Bolts (pr) (RBW)	65-7	1 PR	4.00 Pair
31-21	Coil Capacitor (see Sect 53-03b)	65-7	1	
53-03B	<b>Capacitor On Coil Bkt</b> ,66-67 427/390-400 NO TI > _____	66-7	1	20.00
	(390-400 NO TI ONLY) (390HP NO TI AFT 10/65)			
31-22	65-66 <b>Plastic Wire Support Set</b> (4 Pc) (12,13,14X2)	65-6	1 SET	11.00 Set
31-23	67 <b>Plastic Wire Support Set</b> (4 Pc) (13,14(2),15)	67	1 SET	11.00 Set

► **Ign Shield Sets Include parts** (includes 1,4,6,7,8,9,10,11,12,13,14,15)  
(NOT IN SET #17/18/19 barrel shields & coil bracket)

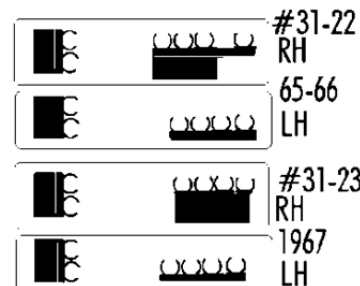
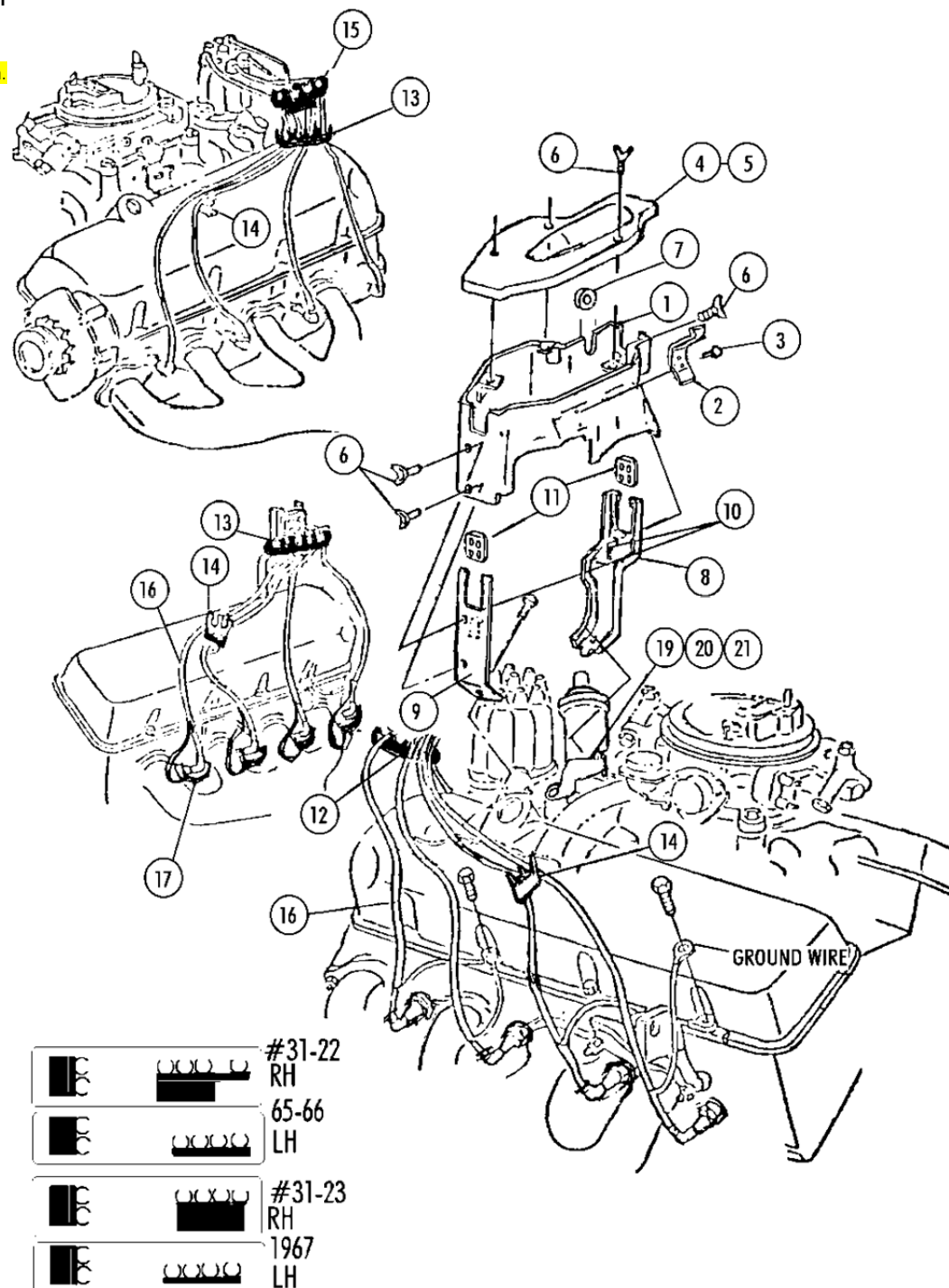
31-30A	x Ignition Shielding Set (65/396) – no more –see above	65	1 SET	discontinued
31-30B	<b>Ignition Shielding Set (66/427)</b>	66	1 SET	\$ 240.00 Set
31-30C	<b>Ignition Shielding Set (67/427-4 Bbl)</b>	67	1 SET	240.00 Set
31-30D	<b>Ignition Shielding Set (427/tripower)</b>	67	1 SET	240.00 Set

See Section 43 For Wiring

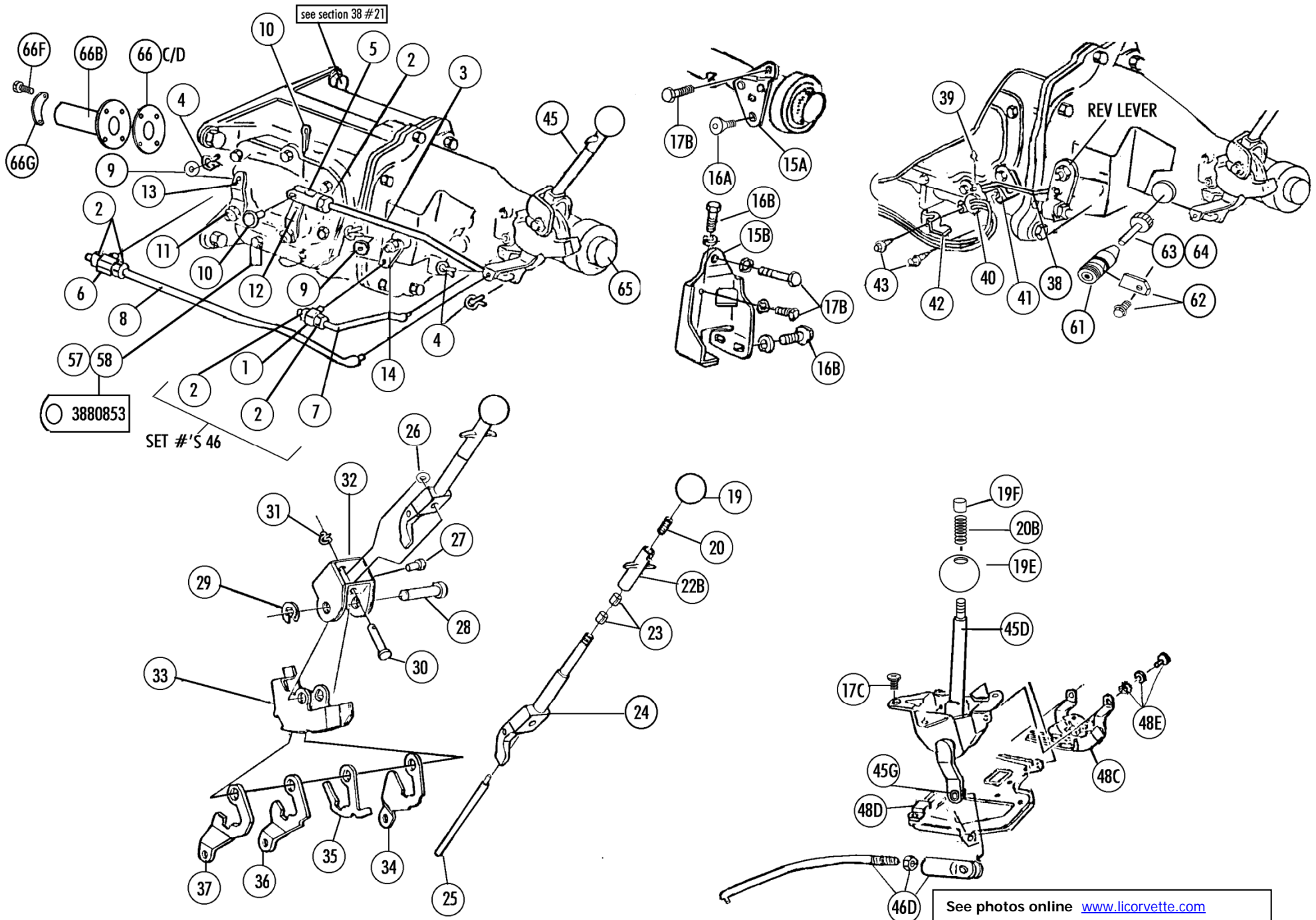
See Section 48 For Coils & Distributor

Order Online: [www.Licorvette.Com](http://www.Licorvette.Com) 1-800-466-6367

See Photos Online



Section #32 Shifter And Linkage - BU Light Switch - Speedo Gears, Trans Kits, Seals & Tags



See photos online [www.licorvette.com](http://www.licorvette.com)  
See section 15 for shift boots  
Section 38 for transmission parts, trans mounts...

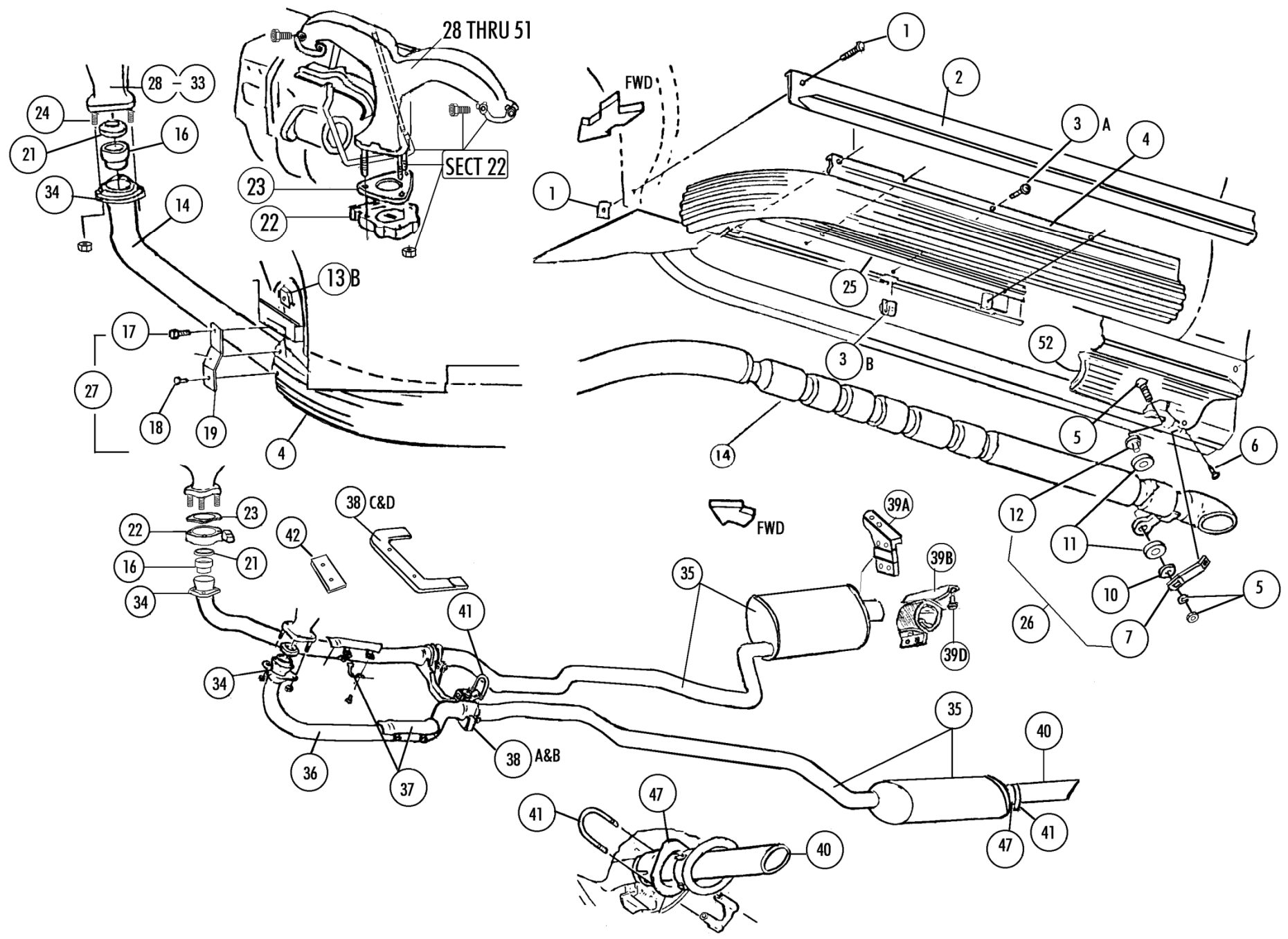


## Section #32 Shifter And Linkage - Bu Light Switch - Speedo Gears , Trans Kits, Seals & TransmTags

Sec-Part#	Name	Year	#need/Car	Price	Inc
32-01	Long Swivel-on Reverse shift rod	64-7	1	\$ 7.00	
32-02	Shift Rod Nut (1)	64-7	5	2.00	Each
32-03	Shift Rod With Clevis- 1&2	64-7	1	28.00	
32-04	J Clips (5 Pc), shifter	64-7	1 SET	3.25	Set
32-05	Clevis (for 1&2 shift rod)	64-7	1	10.00	
32-06	Swivel-for 3&4 shift rod	64-7	1	7.00	
32-07	Shift Rod- Reverse	64-7	1	20.00	
32-08	Shift Rod- 3&4	64-7	1	20.00	
32-09	Washers for Shift Swivel (2)	64-7	1	0.50	Pair
32-10	Clevis Pin & Cotter Pin	64-7	1	2.00	
32-11A	Nuts (3) For Shift Levers On Transmission	64-7	1 SET	1.00	Set
32-11B	Shifter Shaft Seal (1) For Muncie Transmission	63L-7	3	9.00	Each
32-11D	Spring, Trans Shifter Cam Detent	63L-7	1	5.00	
32-12	Shift Lever On Transmission- 1&2	64-7	1	13.00	
32-13	Shift Lever On Transmission- 3&4	64-7	1	13.00	
32-14	Shift Lever On Transmission- Reverse	64-7	1	13.00	
<b>32-46E</b>	<b>Shifter Linkage Set 64-7 4 Spd (#'s 1-14 )</b>	64-7	1	\$ 70.00	
32-15A	Shifter Mounting Bracket (with 3 Screws)	64-6E	1	20.00	
32-15B	Shifter Mounting Bracket (after 10/22/65)	66-7	1	44.00	
32-16A	Shifter Bracket Screw Set (set Of 3)	64-5	1 SET	3.50	Set
32-16B	Shifter Bracket Bolt Set	66-7	1 SET	3.00	Set
32-17A	Shifter Mounting Bolt Set (63 All, 64 Auto)	63-4	1 SET	4.25	Set
32-17B	Shifter Mounting Bolt Set	64-7	1 SET	1.75	Set
32-17C	Mounting Screw Set (3 Pc), Auto Shifter 65-7	65-7	1 SET	2.25	Set
32-19A	Black knob, 63 4 Spd shifter	63	1	9.00	
32-19B	Black Knob, 63 Auto Shifter	63	1	9.00	
32-19C	Chrome Knob, 64 shifter Auto	64	1	35.00	
32-19D	Chrome Knob, 64-67 4 Spd Shifter	64-7	1	15.00	
32-19E	Black Knob, 65-7 Auto shifter	65-7	1	20.00	
32-19F	Chrome Button, for 65-7 Shifter knob Auto	65-7	1	10.00	
32-20A	<b>Reverse Lockout Spring</b> 4 Spd	64-7	1	5.00	
32-20B	Auto Shifter Lockout Spring (NOS)	65-7	1	5.00	
32-22A	Reverse Lockout Handle & Spring	63	1	57.00	
32-22B	<b>Reverse Lockout T Handle &amp; Rod</b>	64-7	1	24.00	
32-23	Shifter T Bushings (2)	64-7	1 PR	3.50	Pair
32-24	Shifter Chrome Shaft	64-7	1	129.00	
32-25	Shifter Reverse <b>Lockout Rod</b>	64-7	1	4.75	
32-26A	Shifter Clevis Spring Washer (63=3,63-4 Pg=1)	63-4	1-3	1.00	Each
32-26B	Spring Washer For Shifter	64-7	1	2.00	
32-27	Reverse Lockout Pin	64-7	1	3.50	
32-28	Shifter Pivot Shaft	64-7	1	7.25	
32-29	Shifter Shaft Clip	64-7	1	1.00	
32-30	Shifter Shaft Pin	64-7	1	7.50	
32-31	J Clip	64-7	1	0.50	
32-32	Shifter Upper Housing - discontinued	64-7	1		n/a
32-33	Shifter Lower Housing	64-7	1	19.00	
32-34	Shifter Lever Reverse	64-7	1	14.00	
32-35A	Shifter Reverse Lockout (5/64")	64-7	1	8.00	
32-35B	Shifter Reverse Lockout (7/64")	64-7	1	8.00	
32-36	Shifter Lever 1&2	64-7	1	14.00	
32-37	Shifter Lever 3&4	64-7	1	14.00	
32-38	<b>Back Up Light ROD</b> with Clips (#39)	63L-7	1	6.50	
32-39	Back Up Light Rod Clips (2)	63L-7	1 PR	0.50	Pair
32-40	<b>BU Light Switch</b> 4 Spd (OEM/USA)	63L-7	1	66.00	
32-41	Bracket, for Back up light switch	63L-7	1	11.00	
32-42	Shield for Back up light switch	63L-7	1	9.00	
32-43	Bolts & Lw (2 Ea) (P hdmk) for BU light switch	63L-7	1 SET	1.50	Set
32-44A	<b>63 Shifter Adjust Gauge &amp; Instructions</b>	63	1	6.00	
32-44B	<b>Shifter Adjust Gauge &amp; Instructions</b>	64-7	1	2.50	
32-45A	<b>Shifter</b> , 63 4 Spd With black knob	63	1	430.00	
32-45B	Shifter- 63 Auto With Black Knob	63	1	290.00	
32-45C	Shifter- 64 Auto With Chrome Knob	64	1	299.00	
32-45D	Shifter- 65-67 Auto With Knob	65-7	1	350.00	
32-45E	Shifter, 64-67 4 Spd With Knob	64-7	1	230.00	
32-45F	Auto Shifter Bushings (2)	65-7	1	10.00	Pair
32-45G	Auto Shifter Rubber Grommet (to Linkage)	65-7	1	12.00	
32-45H	x 63Antirattle Spring (on bottom of 63 shifter)	63	1		n/a
32-46A	<b>Shifter Linkage</b> 63 BORG WARNER 4 Spd	63	1	120.00	
32-46B	Shifter Linkage 63 Muncie 4 Spd	63	1	120.00	
32-46C	Shifter Linkage 63-64 Auto	63-4	1	45.00	
32-46D	Shifter Linkage 65-67 Auto	65-7	1	45.00	
32-46E	<b>Shifter Linkage Set 64-7 4 Spd (#'s 1-14 )</b>	64-7	1	\$ 70.00	
32-48A/b/c	<b>Auto Neutral Safety Switches - NOT AVAILABLE - no more. Try ebay</b>				
32-48B	S Clip For 65-67 Auto N/S-B/U Switch Wires	65-7	1	8.50	
32-48E	Switch Screws (pr) (65-67 neutral safety/backup)	65-7	1 PR	1.00	Pair
32-48F	Rod & Swivel For 63-64 N/S Or N/S-B/U Switch	63-4	1	15.00	
32-48G	Bolts, washers & Clip For N/S Or B/U Switch Mount	63-4	1 SET	5.00	Set
32-57A	<b>Warner Trans Tag</b> 3819107w T-10 3 Spd (63E before #12000)	63E	1	25.00	
32-57B	3839724w T-10 4 Spd(wr)(250-300hp Before #12000)	63E	1	25.00	
32-57C	3839723w T-10 4 Spd(cr)(340-360hp Before #12000)	63E	1	25.00	
32-58A	3839715 <b>Muncie Trans Tag</b> 3 Spd (after #12000)	63L	1	25.00	
32-58B	3831703 Muncie 4 Spd(wr)(250-300hp After #12000)	63L	1	25.00	
32-58C	3831701 Muncie 4 Spd(cr)(340-360hp After #12000)	63L	1	25.00	
32-58D	3855707 3 Spd Muncie Trans Tag	64	1	25.00	
32-58E	3839602 4 Spd (wr)(250-300hp) Muncie Trans Tag	64	1	25.00	
32-58F	3839601 4 Spd (cr)(365-375hp) Muncie Trans Tag	64	1	25.00	
32-58G	3855707 3 Spd (250hp)muncie Trans Tag	65	1	25.00	
32-58H	3857580 4 Spd M20 (wr)(250-300hp) Tag	65	1	25.00	
32-58J	3857573 4 Spd M20(cr)(365-375hp)muncie Trans Tag	65	1	25.00	
32-58K	3857579 4 Spd M20 (cr)(350hp) Muncie Trans Tag	65	1	25.00	
32-58L	3857581 4 Spd M20 (cr)(396/425hp) Muncie Tag	65	1	25.00	
32-58M	3860097 3 Spd (300hp) Muncie Trans Tag	66	1	25.00	
32-58N	3870354 4 Spd M20 (wr)(300) Muncie Trans Tag	66	1	25.00	
32-58P	3880853 4 Spd M21 (cr)(350) Muncie Trans Tag	66	1	25.00	
32-58Q	3879987 4 Spd M22 (425hp) Muncie Trans Tag	65-6	1	25.00	
32-58R	3860097 3 Spd (300hp) Muncie Trans Tag	67	1	25.00	
32-58S	3870354 4 Spd M20 (wr)(300) Muncie Trans Tag	67	1	25.00	
32-58T	3880853 4 Spd M21 (cr)(350hp) Muncie Trans Tag	67	1	25.00	
32-58U	3880855 4 Spd M21 (cr)(390,400,435) Muncie Trans Tag	67	1	25.00	
32-58V	3879987 4 Spd M22 (430hp-L88) Muncie Trans Tag	67	1	25.00	
32-58W	3879986 4 Spd M22 (365-375hp) Muncie Trans Tag	65	1	25.00	
32-58X	3880855 4 Spd M21 (cr)(390-425) Muncie Trans Tag	66	1	25.00	
32-59A	<b>Transmission Gasket Set</b> (9 Pc) Warner T-10	63E	1	20.00	
32-59B	<b>Transmission Gasket Set</b> (10 Pc) Muncie	63-7	1 SET	24.00	Set
32-61	Speedo Gear Round Fitting & Seal	63-7	1	21.00	
32-62	Speedo Gear Fitting Retainer & Screw	63-7	1	5.00	
32-63	<b>Speedo Steel Drive Gear</b> (3.08-3.55 Rear)	63-7	1	49.00	
<b>*32-63a,b,c,d,e Must Be Used With 32-63 Drive Gear.</b>					
> If speedo reads too high, a gear with 1 more tooth will Slow It Down 5mph					
32-63A	Speedo Driven Gear (brown)(18 Teeth)(3.08 Rear)	63-7	1	12.50	
32-63B	Speedo Driven Gear (natural)(19 Teeth)	63-7	1	12.50	
32-63C	Speedo Driven Gear (blue)(20 Teeth)(3.36 Rear)	63-7	1	12.50	Each
32-63D	Speedo Driven Gear (21 Teeth)(3.55 Rear) red	63-7	1	12.50	Each
32-63E	Speedo Driven Gear (silver)(22 Teeth)	63-7	1	12.50	
32-64	Speedo <b>Steel Drive Gear</b> (3.70-4.11 Rear)	63-7	1	49.00	
32-64A	Speedo Driven Gear (green)(22 Teeth)(3.70 Rear)	63-7	1	12.50	
32-64B	Speedo Driven Gear (black)(23 Teeth) x	63-7	1		N/A
32-64C	Speedo Driven Gear (24 Teeth)(4.11 Rear)	63-7	1	12.50	
32-64D	Speedo Driven Gear (orange)(25)(4.56 Rear) X	63-7	1		N/A
<b>*32-64a,b,c,d,e Must Be Used With 32-64 Drive Gear</b>					
32-64E	If Speedo Reads Too High, A Driven Gear With One More Tooth Will Slow It Down Approximately 5 Mph				
32-65	Transmission Rear Yoke Seal	63-7	1	9.75	
32-65B	Bushing- Transmission Rear Main	63-7	1	5.50	
32-66	Transmission Front Main Shaft Bearing (muncie) X	63L	1		N/A
32-66A	Transmission Front Main Shaft Bearing	64-74	1	30.00	
32-66B	x Transm Housing Frt Shaft Bearing Retainer	64-74	1		N/A
32-66C	x Gasket For Trans Front Bearing Retainer	63	1		n/a
32-66D	x Gasket For Trans Front Bearing Retainer	64-74	1		n/a
32-66E	Trans Front Bearing Locating Ring	64-7	1	3.00	
32-66F	Bolts For Trans Front Bearing Retainer (4)	64-7	1 SET	4.00	Set
32-66G	French Locks For Trans Front Bearing Retainer	64-7	1 PR	10.00	Pair
32-66K	Transmission Front Main Shaft Nut	63L-7	1	15.00	
32-67B	<b>Transmission Rebuild Kit</b> (63 Muncie) <b>SALE \$</b>	63L	1	\$ 200.00	SALES
32-67C	X Transmission Rebuild Kit(64-5 Muncie)(7/8"shaft)	64-5	1		
32-67D	x Transmission Rebuild Kit (65-75 Muncie)(1"shaft)	65-75	1		n/a
"wearable Parts"main Bearings, Synchro Rings, Gaskets, Seals Countershaft & Small Parts ...)					
32-67F	Main Shaft (rear) last 1	67	1	200.00	
32-68A	Trans Reverse Detent Ball	63-7	1	1.00	
32-68B	Trans Reverse Detent Spring	63-7	1	5.00	
32-68C	Muncie Trans Side Cover Detent Spring 1-2,3-4	63-7	1	5.00	
32-69A	Transmission Drain Plug	63-7	1	4.50	

<Backup  
Light 4 spd

<shifters



Section 33 Exhaust: Manifolds, Pipes, Center & Rear Hangers, Exhaust Tips And Side Pipes: Covers and all Hardware

Sec-Part#	Name	Year	#Need	/Car	\$
33-01	Side Pipe Molding End Screw & Nut Set (4 Ea)(blk)	65-7	1 SET		\$ 3.50 Set
33-02	Side Pipe Upper Molding (pr)	65-7	1 PR		\$ 236.00 Pair
33-03A	Side Pipe Cover Screws (12 Pc) (zinc)	65-7	1 SET		6.00 Set
33-03B	Side Pipe Cover U-nuts (12 Pc)	65-7	1 SET		15.00 Set
33-04C	<b>Side Pipe Covers (pair)</b>	65-7	1 PR		\$ 1329.00 Pair

► **Sets Include** Upper Moldings (33-02), Side Pipe Covers (33-04C), Pipes (14), Extensions (16), Gaskets(21,23) Strips (25), Hardware (27b) /Pipes , (covers may Drop Ship Direct)

<b>33-04E</b>	<b>Side pipe cover 'SET' no pipes (33-02,33-04C,25,27b)</b>	65-7	1 set		\$ 1675.00 SET
33-05	Side Pipe Rear Bolts, Lw, Nut (2 Ea) (p headmark)	65-7	1 SET		5.00 Set
33-06	Chrome screws, for Side Pipe Cover Rear (2)	65-7	1		2.00 Pair
33-07	Side Pipe Rear Cover Bracket	65-7	2		8.50 Each
33-10	Side Pipe Rear Large Flat Washers (2 Pc)	65-7	1 PR		4.75 Pair
33-11	Side Pipe Rear Insulator (rubber cushion)	65-7	4		5.00 Each
33-12	Side Pipe Rear Cushion Retainer	65-7	2		12.50 Each
33-13B	Side Pipe Cover U-nut (hex nut) (front)(pr)	65-7	1 PR		3.00 Pair

**X 33-14 Side Pipes = Repros-** repro Sidepipes (sstips)Original Baffles & GM Sound \* **NO MORE**  
 33-14AB S/P Mufflers 327/2" 409SSPipes,Alum muffler,ss tip 65-7 1 PR \$ ~~175.00~~ PAIR  
 33-14CD S/P Mufflers 327/2-1/2"409SSPipes,alumuff,SSTip 65 1 PR \$ ~~175.00~~ PAIR  
 33-14EF S/P Mufflers 396/427 2-1/2" 409SSPipes,Alum muff,SS Tip 65-7 1 PR \$ ~~175.00~~ PAIR

>or for local pickup only – we have a few sets 327 2-1/2" NOS/GM pipes –\$ call or email

33-16A	Exhaust Extension (2")	63-7	2		9.00 Each
33-16B	Exhaust Extension (2-1/2")	63-7	2		9.00 Each
33-17	Side Pipe Front Bracket Hex Bolts (pr)	65-7	1 PR		1.00 Pair
33-18	Rivets (4 Pc) For Side Pipe Front Bracket	65-7	1 SET		1.00 Set
33-19A	Side Pipe Cover Front Bracket LH	65-7	1		7.00
33-19B	Side Pipe Cover Front Bracket RH	65-7	1		7.00
33-21A	Front Exhaust Pipe Packing (2")	63-7	2		3.00 Each
33-21B	Front Exhaust Pipe Packing (2-1/2")	63-7	2		3.00 Each
33-22A	<b>Exhaust Heat Riser 327 (2")</b>	63-7	1		67.00
33-22B	Exhaust Heat Riser (2-1/2")	63-7	1		79.00
33-22D	2-1/2" Exhaust Spacer 63-5 FI & 67-L88	63-7	1		50.00
33-23A	Heat Riser Gasket RH (2")	63-7	1		5.00
33-23B	Heat Riser Gasket RH (2-1/2")	63-7	1		5.00
22-28	Exhaust man lower Stud (ss) and nut(steel) Set (6+6)	63-7	1		28.00 set
> see section 22 for exhaust bolt sets.					
33-25	Side Pipe Cover Retainer Strip (1)	65-7	2		10.00 Each
33-26►	Set Of "Rear" Side Pipe Hardware (#5-#12)	65-7	1 SET		58.00 Set
33-27A►	Set Of Front Side Pipe Hardware (#13b+17+18+19)	65-7	1 SET		18.00 Set
33-27B►	Complete Sidepipe Hrdwre Kit (1,3A,3B,26,27A)	65-7	1 SET		90.00 Set

33-48	Exhaust Manifold FI 2-1/2" RH 3797902	x	63-5 FI		.discontinued
33-49	Exhaust Manifold FI 2-1/2" LH 3797942	X	63-65 FI		.discontinued

33-28	Exh Man LH 2" (250hp Or300hp Auto) 3749965A *NOS	63	1		125.00
NOS /> GM PART 3749965A 1987 DATE< new					
33-29	x Exh Man RH 2" (327/250hp Or Auto (3750556)	63-5	1		N/A
33-30	x Exh Man LH 2"3846559(250/300hp+auto)66-67 327all	64-7	1		N/A
33-31A	Exh Man RH 2" (64-5E 250AC,300 Auto+AC)(used) (3747038)	64-5E	1		160.00 Used
33-31A5	Exh Man RH 2" 65/250 AC or300 Auto+AC W Choke Tube (3747042)65L	64-5E	1		160.00
33-31AN	Exh Manifold A/C 2" RH 3747038 (NOS)	64-5E	1		160.00
33-31B	XExh Man RH 2" (66-7/327 All)(3747042) X SEE USED	66-7	1		N/A
33-31BU	Exh Man RH 2" (66-7/327 All)(3747042) orig/Used	66-7	1		175.00 Used
33-32	X Exh Man LH 2-1/2" (327/300-340hp 4spd)(3797901)	63	1		N/A
33-33	x Exh Man RH 2-1/2" (327/300-365hp 4spd No A/C) (3797902)	63-5	1		N/A
33-50	X Exhaust Manifold LH 2-1/2" (300-365hp 4spd All)	64-5	1		N/A
33-51	X Exhaust Manifold RH 2-1/2" (300-365hp A/C+4spd)	64-5	1		N/A
33-43	X Exhaust Manifold LH 427 (no Smog) X	66-7			<b>DISCONTINUED</b>
33-44 ^	X Exhaust Manifold RH 427 (no smog) X	66-7	1		<b>DISCONTINUED</b>
33-45	x Exhaust Manifold (396) LH X	65	1		N/A
33-46	x Exhaust Manifold (396) RH X	65	1		N/A

Exhaust manifold Supplier's foundry out of bus. Just have what is listed with \$^ 9-2018

Sec-Part#	Name	Year	#Need	/Car	\$
33-34A	Exhaust Flange (2")	63-7	2		16.00 Each
33-34B	X Exh. Flange (2-1/2")(no S/P)(correct Thickness)	63-7	2		N /A

**Exhaust Pipes and Mufflers (wedged Pipes = 409 ss (magnetic/aluminized pipe/GM Sound)**

**X >> all pipes drop ship direct** shipping additional all GM sound/ 309 ss/magnetic,alumzd pipe.  
**X NOT SELLING REAR PIPES X10-2017** (ship per pair of rear pipes or set of 4 pipes = about \$150.)

X33-35A	Muffler & Rear Pipe 64-67 2-1/2" (all exc250all/300auto)	64-7	1 PR		
X33-35C	Muff & Rear Pipes 64-67 2" > 250 All Or 300 Auto (pr)	64-7	1 PR		
X33-35D	Muffler & Rear Pipe (2-1/2") (63late No Wells)(pr)	63L	1 PR		
X33-35E	Muffler & Rear Pipe (2-1/2") (63early With Wells)(pr)	63E	1 PR		
E = Early With Wells= "tool Box " Before 11,000					
X33-35F	Muffler & Rear Pipe (2") (pr)(63 Late no Wells)(pr)	63L	1 PR		
X33-35G	Muffler & Rear Pipe (2") (63 Early Wells)(pr)	63E	1 PR		

WE ARE selling off the exhaust pipes – we have the ones with pricing only.  
 ... We have some GM /NOS front pipes – ie 33-36ABN ...

<b>33-36AB</b>	Front Exh Pipes 64-67 2" (250hp All Or 300hp/auto)	1 PAIR	64-7	1	\$ 175.00 PAIR
33-36C	Front Exhaust Pipe LH (2-1/2")(64-65 327)		64-5	1	x
33-36D	Front Exhaust Pipe RH (2-1/2")(64-65 327)		64-5	1	x

<b>33-36EN</b>	<b>NOS/ORIG</b> GM Front Exhaust Pipe LH (2"x2-1/2")(66-67 327 NOT Auto)				113.00 NOS
33-36EF	XFront Exhaust Pipes PAIR (2"x2-1/2") (66-67 327 NOT Auto)				X NO MORE
<b>33-36GH</b>	Front Exhaust Pipes (2-1/2")(65-67 396/427)	1 PAIR	65-7	1	175.00 PAIR

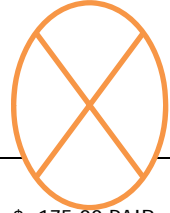
33-36J	Front Exhaust Pipe LH (2-1/2")(66-67 427 Auto)		66-7	1	90.00
33-36K	X Front Exhaust Pipe RH (2-1/2")(427 Auto) X		66-7	1	N/A
33-36M	X Front Exhaust Pipe LH (2-1/2")(63 2-1/2 327/300 4 spd /340hp	X 63			N/A
33-36N	X Front Exhaust Pipe RH (2-1/2")(63 2-1/2 327/300 4 spd /340hp	x 63			N/A
33-36PQ	Front Exh Pipes PAIR 63 2" (250hp All Or 300hp Auto)		63	1	\$ 175.00 PAIR

**Heatshields and Exhaust Hangers:**

33-37A	<b>Exhaust Heatshields &amp; Straps,2"</b> (250hp,300hp Auto)	63-4	1 set		\$ 59.00 set
33-37B	Exh Heatshield & straps,2"(65/250hp,65-7 327auto)	65-7	1 set		50.00 set
33-37C	Exh Heatshield & straps,2-1/2"(300-360hp 4spd)	63	1 set		59.00 set
33-37D	Exh Heatshield & straps (2-1/2")(300-425hp 4spd)	64-5	1 SET		55.00 Set
33-37E	Exh Heatshield & straps,2-1/2"(327 4spd,all 427	66-7	1 SET		50.00 Set
33-37F	Strap & Screw Set For Exhaust Heatshields (4 Ea)	63-7	1 SET		17.00 Set
33-38A	Center Exhaust Hanger (2")(with Clamps)	63	1		145.00
33-38B	Center Exhaust Hanger (2-1/2")(with Clamps)	63	1		145.00
33-38C	Center Exhaust Hanger (2")	64-7	1		28.00
33-38D	Center Exhaust Hanger (2-1/2")	64-7	1		30.00
33-39A	<b>63 Rear Muffler Hangers (pair)</b>	63	1 PR		75.00 Pair
33-39B	64-7 Rear Muffler Hangers (pair)	64-7	1 PR		32.00 Pair
33-39C	63 Rear Muffler Hanger Bolts, Nuts And Washers (WB)	63	1 SET		9.50 Set
33-39D	64-7 Rear Muffler Hanger Bolts, Nuts And Washers(WB)	64-7	1 SET		6.50 Set
33-40	Tail Pipe Extensions(pr)(magnetic With Seam,no#)	63-7	1 PR		59.00 Pair
33-41A	Tail Pipe Extension Clamps (2")(pr) (3/8"nuts)	63-7	1 PR		12.00 Pair
33-41B	Center Exh Hanger Clamps (for 2"pipes)(pr)	64-7	1 PR		12.00 Pair
33-41C	Center Exhaust Hanger Clamps (2-1/2")(pr)	64-7	1 PR		15.00 Pair
33-42	Transmission Spacer With Side Pipes	65-7	1		5.00
33-47	<b>63 Rear Exhaust Heat Shield (pr) * Fit Our Repro And Original)</b>	1 PR			<b>75.00 Pair</b>
33-53	A.I.R. (smog) Hole Plug (8)	66-7	1 SET		4.00 Set
33-52	side pipe cover insulators – no more				x

N/A = NOT AVAILABLE – NO MORE – DISCONTINUED.

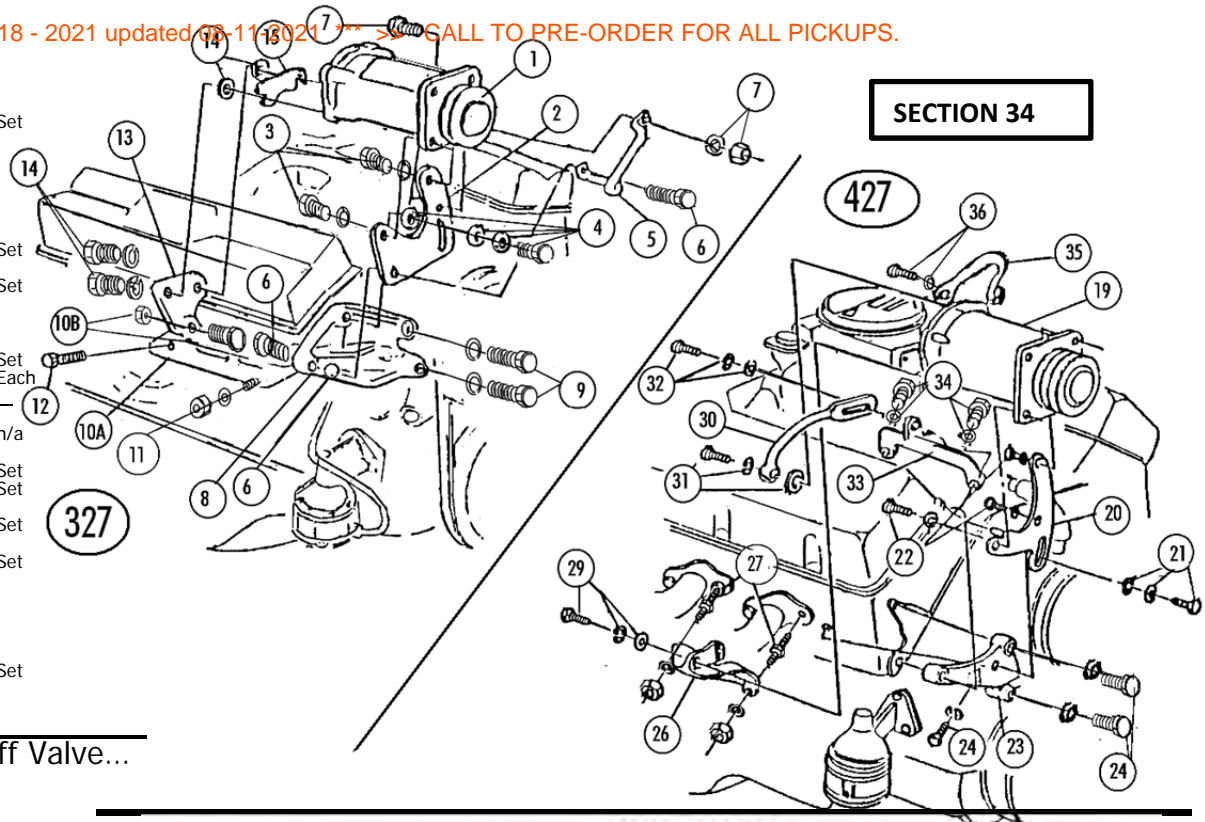
(x There are no gaskets between exhaust manifold and block.)





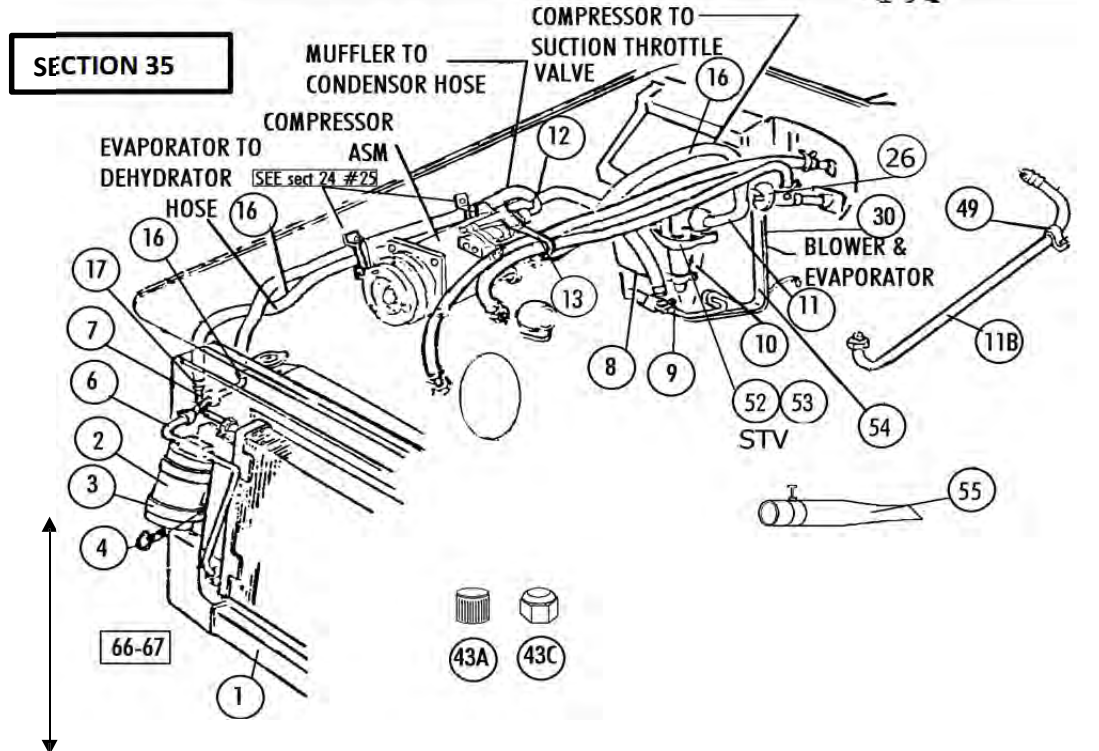
### Section #34 Air Cond Compressor Brackets 327 & 427

Sect-Part	Name	Year	#need/CAR	each
34-02	<b>Compressor Front Brace (327)</b>	64-7	1	45.00
34-03	Compressor Bolt (2)	64-7	1 SET	6.00 Set
34-04	Compressor Brace Bolt(TR), Washer & Lw (327)	64-7	1	1.50
34-05A	Hose Bracket On Compressor (327)	63	1	14.00
34-05B	Hose Bracket On Compressor (327)	64-7	1	24.00
34-06	Hose Bracket Bolt(tr) & Locknut	64-7	1	3.50
34-07	Hose Bracket Bolt, Lw & Locknut	64-7	1	1.00
34-08	Compressor Front Bracket (327)	64-7	1	70.00
34-09	Front Compressor Bracket Bolts & Lw (tr)(2 Ea)	64-7	1 SET	6.00 Set
34-10A	Lower Compressor Support Bracket (327)	64-7	1	75.00
34-10B	<b>Compressor Rear Bkt Bolt &amp; Locknut Set</b>	63-7	1 SET	2.00 Set
34-11	Compressor Lower Bracket Stud, Lw, Nut	64-7	1	11.00
34-12	Compressor Lower Bracket Bolt	64-7	1	6.00
34-13	Compressor Rear Bracket (327)	64-7	1	19.00
34-14	Compressor Rear Bkt Bolts, Lw, & Washers (2 Ea)	64-7	1 SET	3.00 Set
34-15	Compressor Rear Shim (each)	64-7	1-4	4.00 Each
34-17,18	Intake A/C Vacuum Fitting (see Sect 21-27) Vacuum Hose A/C (see 35-51)			
34-19	<b>427 Air Cond Brackets</b>			
34-19	A/C Compressor & Clutch	66-7	1	n/a
34-20	<b>Compressor Front Brace (427)</b>	66-7	1	42.00
34-21	Compressor Brace Pivot Bolt, Lw, Fw (427)	66-7	1	1.75 Set
34-22	Compressor Front Bracket Bolt (3) (427)	66-7	1 SET	9.00 Set
34-23	Compressor Front Bracket (427)	66-7	1	99.00
34-24	Compressor Front Bracket Bolts & Lw (3 Ea)	66-7	1 SET	5.00 Set
34-26	<b>Compressor Rear Bracket (427)</b>	66-7	1	89.00
34-27	Compressor Bracket Stud, Nut & Lw (2 Ea)	66-7	1 SET	13.00 Set
34-29	Compressor Rear Bracket Bolt, Lw, Fw	66-7	1	1.75
34-30	Compressor Rear Brace Rod (427)	66-7	1	40.00
34-31	Compressor Brace Rod Bolt (WB), Lw & Spacer	66-7	1	4.25
34-32	Compressor Rod Adjusting Bolt(TR), Lw, Fw	66-7	1	2.00
34-33	Compressor Rod Bracket On Intake (427)	66-7	1	70.00
34-34	Intake Bracket Bolts & Lw (TR)(2 Ea)	66-7	1 SET	6.50 Set
34-35	Hose Bracket On Compressor (427)	66-7	1	36.00
34-36	Hose Bracket Bolt & Lw	66-7	1	0.75



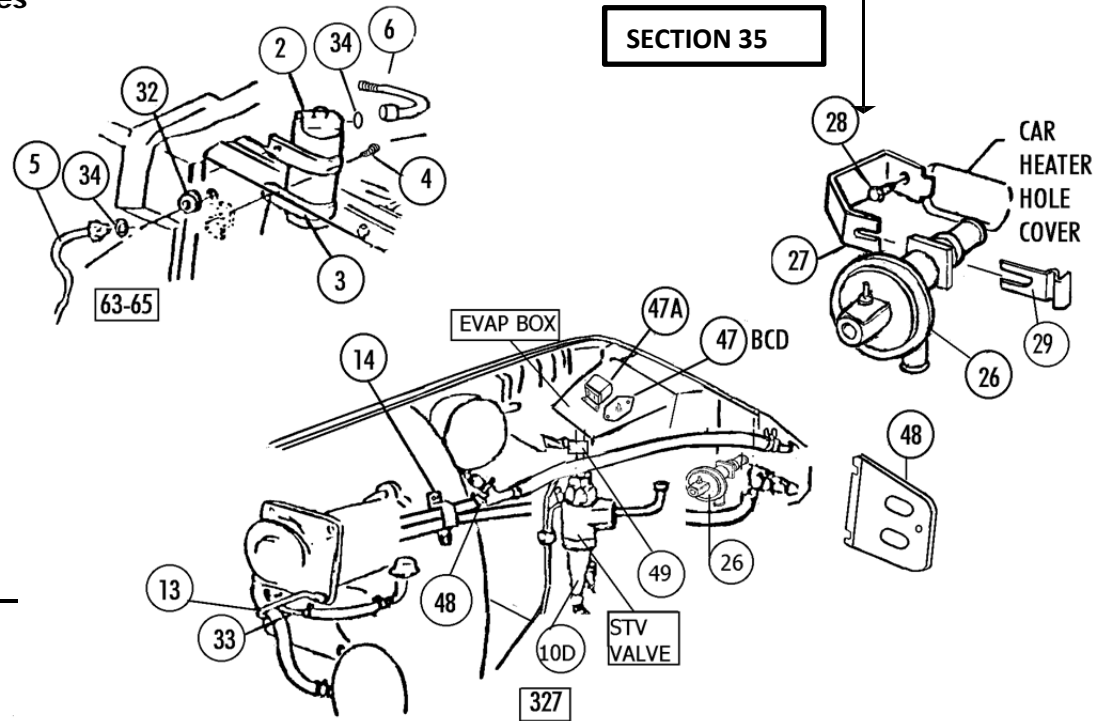
### Section #35 A/C Fittings, Driers, Evap Core,Hoses, Shutoff Valve...

Sect-Part	Name	Year	#need/CAR	Price
x35-01	x Air Cond Condensers -- no more ---			
35-02	Receiver Drier (Delco Replacement)(tapered)	63-7	1	\$ 59.00
35-02N	ORIG RECEIVER DRIER NOS - see online			
35-03	<b>Receiver Drier Brackets (2)</b>	63-7	1 PR	15.00 Pair
35-04	Receiver Drier Bracket Bolts (2)	63-7	1 PR	1.00 Pair
35-05	Tube & Fitting- Condenser To Receiver Drier	63-5	1	\$ 40.00
35-06A	Tube & Fitting- Receiver Drier To Hose	63-5	1	25.00
35-06B	Tube and Fitting- Receiver Drier To Hose	66-7	1	35.00
35-07A	<b>Fitting- Condenser To Hose</b>	63-5	1	35.00
35-07B	Fitting- Condenser To Hose-early(over Rad Suppt)	66E	1	35.00
35-07C	Fitting- Condenser To Hose Late (thru Rad Suppt)	66-7	1	35.00
35-08A	Fitting- Expansion Valve To Hose (90 Degree)	63-5	1	32.00
35-08B	Fitting- Expansion Valve To Hose (straight)	66-7	1	38.00
35-09A	Expansion Valve (good replacement)	63-7	1	60.00
35-09C	Plastic Tie & Screw For Exp Valve Tubes	63-7	1	3.00
35-10A	POA Valve,1967	67	1	N/A
35-10B	<b>STV Diaphragm Kit</b> (diaphragm (no piston) x	63-6	1	N/A
35-10BP	<b>STV Diaphragm Kit</b> (diaphragm with piston )	63-6	1	79.00
35-10C	STV Graphite Lubricant (6.5g)	63-6	1	4.50
35-10D	x 63-66 STV Eliminator Kit (Spl Fitting Eliminates STV Valve			discontinued
35-10F	67 POA Eliminator Kit (replaces POA With Eliminator Valve) 1967			80.00 SPL \$
35-11A	Fitting- STV Valve To Hose	63-6	1	40.00 LOWER\$
35-11B	Fitting- POA Valve To Hose	67	1	35.00 LOWER\$
35-12A	<b>Compressor Fitting &amp; Muffler (327)</b>	63-4E	1	130.00
35-12B	Compressor Fitting & Muffler (327)	66-7	1	130.00
35-12C	Compressor Fitting & Muffler (427)	66L-7	1	130.00
35-12D	Compressor Fitting BOLT,LW & Spacer	63-7	1	4.00
35-12E	Compressor Fitting & Muffler (327)	64L-5	1	145.00 EACH
35-12F	Compressor Muffler Fitting (427) (early/pre Jan)	66E	1	130.00
35-13	Rod Hose Clamp 327 (see Sect 34-05) and 427 34-35			
35-14,15	Fender Hose Clamp (see Sect 24-25 Heater Fitting (see Sect 24-12)			
35-16	x A/C Hoses plain no Logos (3pc) discontinued	63-7	1 SET	n/a
35-16B	<b>A/C Hoses with Logos (3pc)</b>	63-7	1 SET	\$ 125.00 Set
35-17	A/C Hose CLAMP Set (O.E.M.) (Ideal/Hex Hd Screw)	63-7	1 SET	12.00 Set
35-26	<b>Heater Shutoff Valve REPLACEMENT</b>	63-7	1	\$ 40.00
35-27	Heater Shut-off Valve Bracket	63-7	1	12.50
35-28	Heater Valve Bracket Bolt	63-7	1	0.50
35-29	Heater Valve Clip	63-7	1	4.50
35-30A	x Evaporator Core 63-64 65	63-5	1	n/a
35-30B	<b>Evaporator Core 1966</b>	66	1	\$ 300.00 Each
35-30C	X Evaporator Core 1967	67	1	N/A
35-30D	Screws & U-nuts For Evap Core (4+4)	63-7	1 SET	4.00 Set



### Section 35 continued - A/C Fittings – blower , clamps, hoses

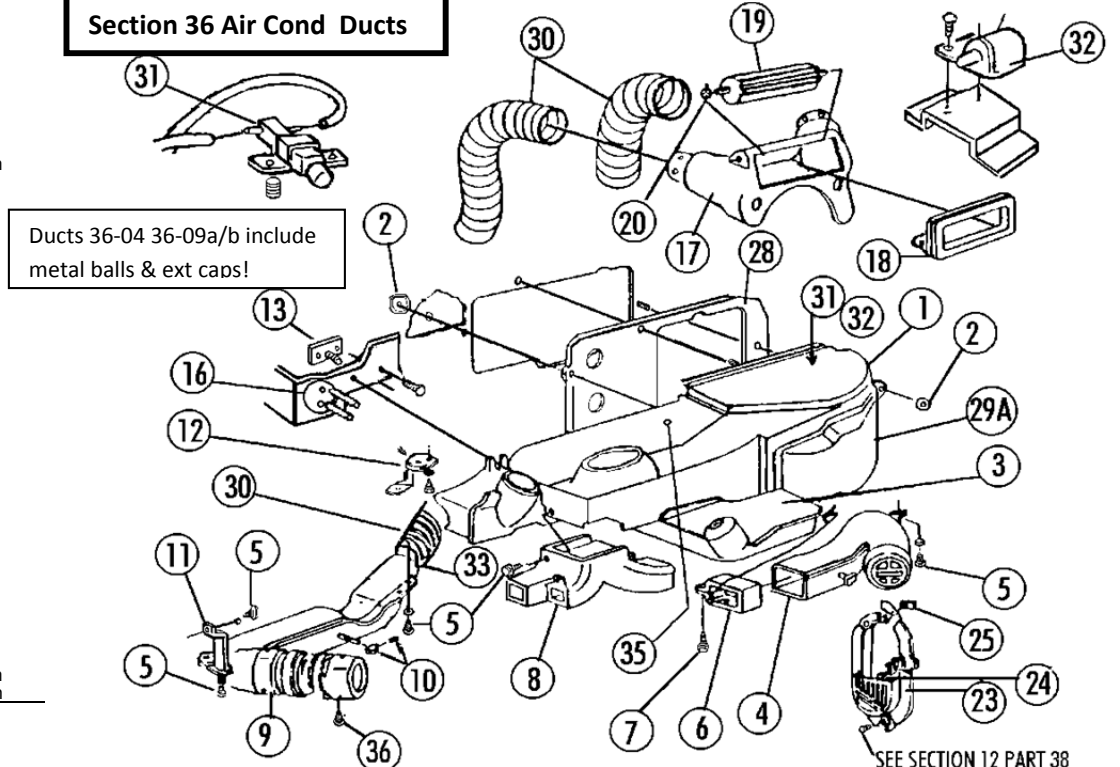
35-31	A/C Blower Motor (see 37-31b)	64-7	1	\$ 5.00	Each
35-32A	Grommet (A/C Fitting Through Support)	63-5	2	5.00	Each
35-32B	Grommet (A/C Fitting Through Support)	66-7	2	5.00	Each
35-33A	Heater Hose Tube (327-A/C)- Use 35-33b	63	1	N/A	
35-33B	Heater Hose Tube (327-A/C)(thru 1/66)	64-6E	1	30.00	
35-34	Air Conditioning O-ring Set (12 Pc)	63-7	1 SET	7.00	Set
35-35	Horn Bracket With Rivets (A/C)(RH)	66-7	1	11.50	
35-43A	Valve Caps (orig style-Aluminum) A/C STV/PCV	63-7	1	10.00	
35-43B	Replacement A/C Fitting Caps	63-7	-	1.00	Each
35-43C	Fitting Cap (brass hex)for a/cMuffler(orig style	63-7	1-2	10.00	Each
35-44	No Drip Insulation Black Tape (12" pc)	63-7	1	3.50	
35-45A	A/C Wiring Harness (see Sect 43) see section 43				
35-46B	Rubber Cooling Tube, A/C Blower motor (replacem)	63-7	1	15.00	
35-47A	A/C Relay (replacement)	63-7	1	21.00	
35-47B	A/C Blower Motor Resistor	63-7	1	25.00	
35-47C	A/C Blower Resistor Gasket	63-7	1	3.00	
35-47D	Screws For Blower Relay & Resistor (4)	63-7	1 SET	2.00	Set
35-47E	Plug- Heater Box Resistor	63-7	1	5.00	
35-48	Heater Cover Plate (A/C)	63-7	1	50.00	
35-49A	Clamp & Screw for 67 POA tube	67	1	1.00	
35-49B	Clamp & Bolt For Evap Tube To STV (on Evap Box)	63-6	1	3.50	
35-50A	Vacuum Line Plastic Tee (before May 64)	63-4E	1	2.50	
35-50B	Vacuum Line Plastic Tee (after April 64)	64L-6	1	2.50	
35-51A	x Air Conditioning Vacuum Hose Set (before 5/5/64)	63-4E	1 SET	n/a	
35-51B	x Air Conditioning Vacuum Hose Set(after 5/5/64)	64L-7	1 SET	n/a	
35-52	STV Valve Bracket (with 2 Nuts & 2 Screws)	63-6	1	75.00	
35-52B	Screws & Nuts (2+2) For STV Bracket Mounting	63-6	1	2.00	
35-53A	1967 POA Valve BRACKET On Box	67	1	25.00	
35-53B	1967 POA Valve BRACKET to valve	67	1	25.00	
35-54	Screw Set For Metal A/C Box On Cowl (38 Pc)	63-7	1 SET	15.00	Set
35-55	Drain Hose & Clamp For Evaporator Box	63-7	1	\$10.00	



### Section #36 Air Cond Ducts , A/C Heater Box Brackets, Bezels -

36-01	X Complete Inner A/C & Heater Box – NO MORE.	64-7	1	x	
36-02	A/C Heater Box Nuts (9 Pc)	63-7	1 SET	2.25	Set
36-03	X Center Lower A/C Plastic Distrib Duct & Door	63-7	1 SET	N/A	
36-03C	Screws For Lower Duct Extension (#36-03)(8 Pc)	63-7	1 SET	6.00	Set
36-04	RH A/C Duct with Flap, Knob & Metal Ball & ext see36-04R	63-7	1	x	
36-04R	RH A/C Duct (replacement- No Shut Off Flap)	63-7	1	160.00	
36-05	Duct Screws & Washers (8 Pc)	63-7	1 SET	2.75	Set
36-06	RH Duct Clamp & Bolt	63-7	1	35.00	
36-07	Duct Clamp Bolt	63-7	1	0.75	
36-08B	Center Y Duct (plastic/replacement)	64-7	1	175.00	
36-09A	X LH A/C Duct with Flap, Knob & Metal Ball & ext SEE 36-09AR	63-6	1	N/A	
36-09AR	LH A/C Duct (replacement- No Shut Off Flap)	63-6	1	190.00	
36-09B	LH A/C Duct with Flap, Knob & Metal Ball & ext cap	1967	1	245.00	
36-09BR	Lh A/C Duct (replacement- No Shut Off Flap)	67	1	190.00	
36-10	Chrome Knob For Air Cond Duct	63-7	2	25.00	Each
36-11	LH Bracket For LH A/C Duct	63-7	1	20.00	
36-12A	RH Bracket For LH A/C Duct	63-6	1	35.00	
36-12B	RH Bracket For LH A/C Duct	67	1	30.00	
36-12C	RH Bracket On RH Air Cond Duct	63-7	1	15.00	
36-13	Bolt Plate, Nut & Rivets (1,1,2)	63-7	1 SET	6.00	Set
37-17B	A/C Oil Line Grommet (=37-17B)	63-7	1	6.00	
36-17	Center Duct Housing	63-7	1	185.00	
36-18	Duct Bezel, Center A/C Dash	63-7	1	125.00	
36-19	x Deflector, Center A/C Dash Duct – DISCONTINUED.	63-7	1	n/a	
36-20	Clips (2) for Center A/C Dash Duct Deflector	63-7	1 PR	0.50	Pair
12-56C	X Vent Grill- With Air Conditioning (RH) (NO MORE, you can cut B photo online)	n/a		n/a	
36-24	Cable Bracket For RH Vent Cable With A/C	63-7	1	14.00	
36-25	Bolt Plate (for fresh air vent)	63-7	1	8.50	
36-28	Complete A/C-heater Box Gasket Set 25 Pc+32rivet	63-7	1	69.00	
36-28B	Air Cond Box Mounting Gasket Set (5 Pc Set)	63-7	1 SET	35.00	Set
36-29A	Plenum Cover (black plastic)	63-7	1	69.00	
36-29B	Plenum Cover Screws (12 Pc)	63-7	1 SET	9.00	Set
36-30	Air Cond Duct HOSE Set (3 Pc) (correct)	63-7	1	35.00	
36-31	Heater Vacuum Switch A/C, Replacement Plastic/metal	63-7	1	75.00	
36-31B	Vacuum Switch Nuts & Lw (2+2)	63-7	1 SET	1.00	Set
36-32	Electric Shutoff Switch On A/C Heater Box	63-7	1	50.00	
36-32B	Screws For A/C Shutoff Switch (2)	63-7	1 PR	1.00	Pair
36-33	A/C Duct Hose CLAMPS (2)	63-7	1 PR	10.00	Pair
36-34	A/C Duct Ball Felt Seals (4 Pc For 2 Balls)	63-7	1 SET	5.00	Set
36-35	A/C Heater Box Plastic Front Distribution Duct	63-7	1	175.00	
36-35C	Screws For A/C Front Distrib Duct (#36-35)(14)	63-7	1 SET	7.50	Set
36-36	A/C Duct Ball Retainer Screws (4)	63-7	1 SET	2.00	Set
36-37	A/C Duct Chrome Plated Metal Ball & Felt	63-7	2	60.00	Each
36-37B	A/C Duct Plastic Ball (replacement)	63-7	2	20.00	Each
36-38A	Duct Extension & Screws (LH)	63-6	1	40.00	
36-38B	Duct Extension & Screws (RH)	63-7	1	40.00	

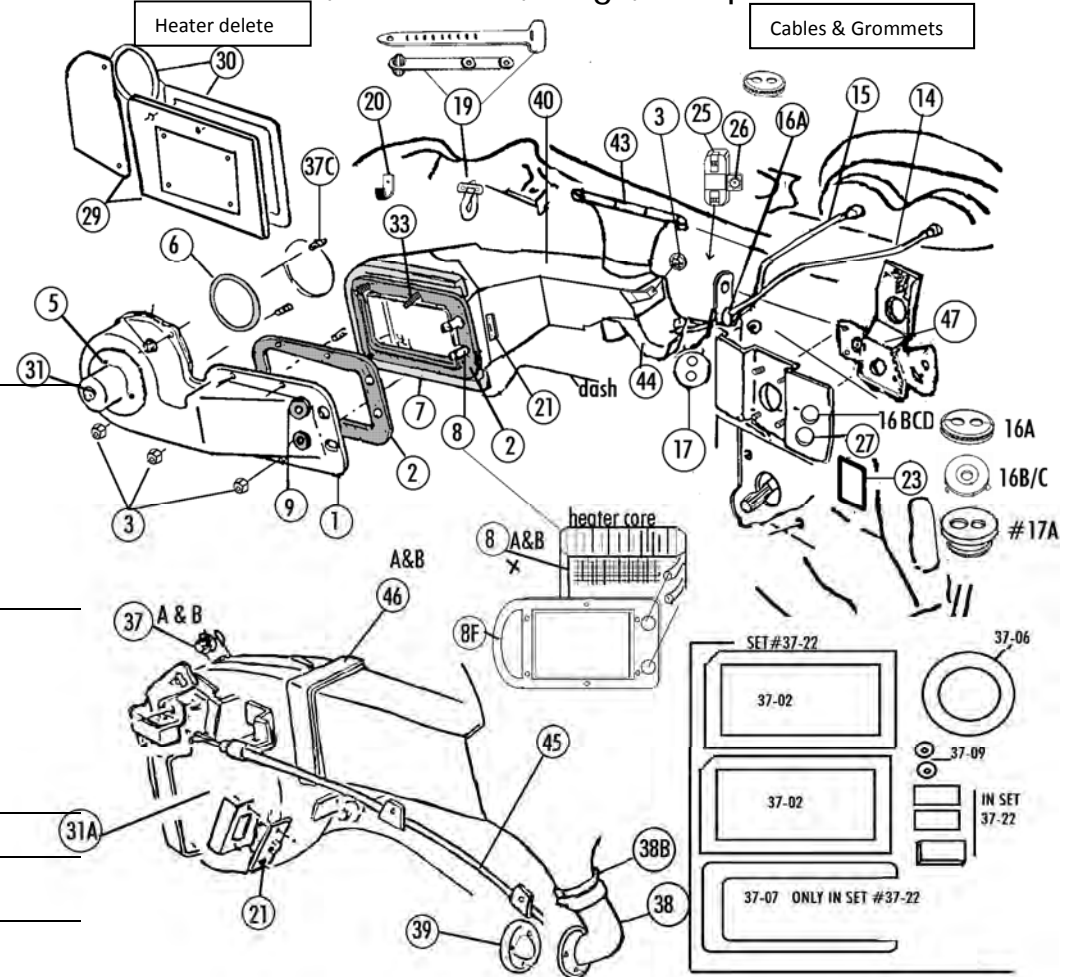
### Section 36 Air Cond Ducts





# Section 37 Heater Cowl ,Heater Boxes, Core, Gaskets, Speedo & Tach Cables, Grommets, Plugs, Straps on Firewall

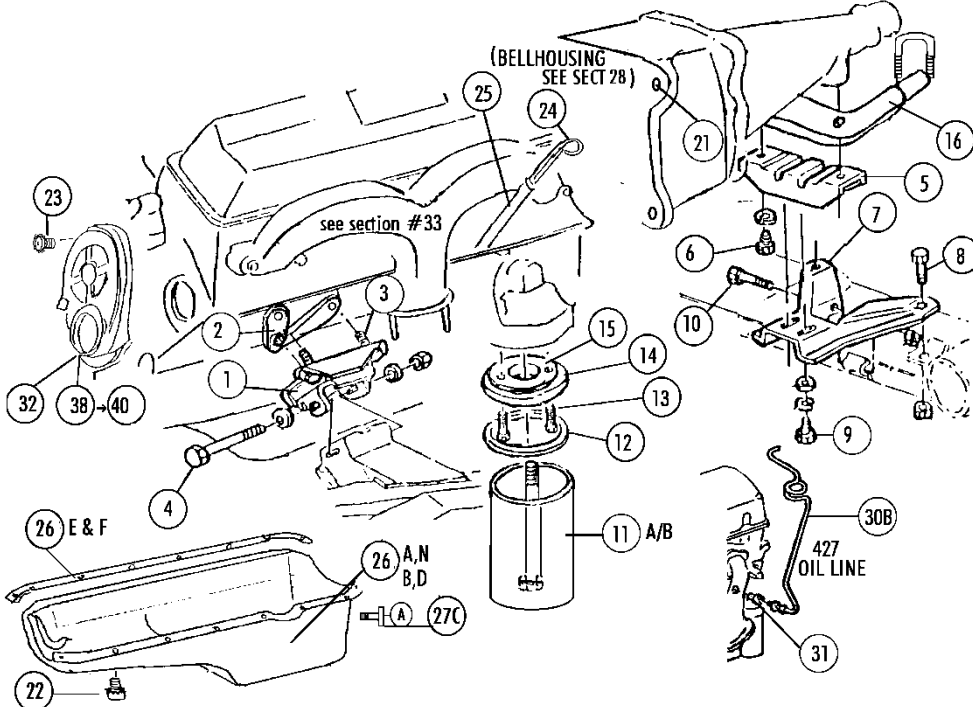
Sec-Part	Part Name	Year #	NEED	car	price
<b>&gt;Our #37-01 is correct: fiberglass with metal reinf plate/ring on back (not all fiberglass!)</b>					
37-01A	X Heater/blower Motor Box (63 no a/c)(no ribs) x	63	1		\$ N/A
37-01B	x Heater/blower Motor Box (64-67 no a/c)(ribs) x	64-7	1		N/A
37-01C	Metal Plate, Ring, Rivets For Heater Box (outer)	63-7	1		45.00 Each
37-02	Heater Box Black Gasket- Non A/C (1)(rectangle)	63-7	2		8.00 Each
37-03	Heater Box Nut Set (8 Pc) Non A/C	63-7	1 SET		4.50 Set
37-05	Fan Motor Bolts & Terminal Set (5+1)	63-7	1 SET		5.50 Set
37-06	Fan Gasket- Non A/C	63-7	1		7.00
37-07	xInt Heat Box Gray Gasket,no A/C x >in set only 37-22	63-7	1		
37-22	<b>Heater Box Gasket Set (#2,6,7,9 Plus 3 Interior Flap Gaskets &amp; Rivets) (non A/C)</b>	63-67			33.00 Set
37-08A	X Heater Core- Non A/C - discontinued x	63-7	1		n/a
37-08B	X Heater Core- Air Cond discontinued x	63-7	1		N/A
37-08C	Heater Core Strap (Air Cond Only)(1+1)	63-7	1 PR		20.00 Pair
37-08D	Heater Core Strap (NON Air Conditioned)(pr)	63-7	1 PR		20.00 Pair
37-08E	Bolts (4) For Heater Core Straps	63-7	1 SET		1.00 Set
37-08F	<b>Mounting PLATE</b> For Heater Core Non A/C	63-7	1		85.00
37-08G	Mounting Plate For Heater Core- WITH A/C	63-7	1		95.00
37-09	63 only Heater Tube Round Gaskets- Non A/C	63	1 PR		3.00 Pair
37-10A	Steering Column Bracket (see section 18 18-45a)	63-6	1		
37-11	Steering Column Gasket	63-7	1		5.00
37-12	Steering Mast Clamp Bolt (see Section 18 (18-47))				
37-13	Steering Mast Support Screws (pr)	63-67	1 PR		2.00 Pair
37-14A	<b>Speedometer Cable</b> (3 Spd, 4 Spd, Auto)(gray)	63-4E	1		38.00
37-14B	Speedometer Cable (4 Spd)(black)	64L-7	1		29.00
37-14C	Speedometer Cable (3 Spd Or Auto)(black)	65-7	1		29.00
37-14D	Speedometer Cable (3,4 Spd Or Auto)(white 56") x	64	1		N/A
37-15A	<b>Tachometer Cable</b> (gray)	63	1		40.00
37-15B	Tachometer Cable (black)	64-7	1		25.00
37-15C	Speedo/tach Cable Lubricant Tube (6.5G Tube)	63-7	1		4.50
37-16A	<b>Speed/tach Grommet- 4 Spd (2 Hole)</b>	65-7	1		5.00
37-16B	Speed/tach Grommet-3 Spd&auto(1 Hole)	65-7	2		5.00 Each
37-16C	Speed/tach Grommet-3 Spd/4 Spd/auto(1 Hole)	63-4	2		5.00 Each
(see 55-52 For Grommet Installation Tool)					
37-16D	Plug (for Hole Above Clutch Pedal )(4 Spd)	65-7	1		1.00
37-16E	Tach/speedo Cable Grommet Installation Tool	63-4	1		7.00
37-16F	Hood Release Cable Grommet	63-7	1		0.75
37-17A	Oil Pressure Line Grommet (nonA/C)(2 Hole)	63-7	1		6.00
37-17B	Oil Pressure Line Grommet (with A/C)(4 Hole)	63-7	1		6.00
37-18	Windshield Wiper Motor Gasket	63-7	1		3.00
37-19A	<b>Complete Plastic Strap Set (8-2 Hole, 7-white T)</b>	63-4	1		25.00 Set
37-19B	<b>Complete Plastic Strap Set (8-2 Hole, 7-black T)</b>	65-7	1		25.00 Set
37-20A	Metal Wire J-clip (each)	63-7	16		2.50 Each
37-20B	Cowl Wire J-clip Set non a/c (with Fasteners)	63-7	1 SET		22.50 Set
37-20C	Cowl Wire J-clip Set with a/c (with Fasteners)	63-7	1 SET		39.00 Set
37-21A	<b>Non A/C Heater &amp; Rear Blower Resistor</b> (screw on)	63L-7	1-2		25.00 Each
37-21A3	Non A/C Heater Resistor 63E= Clip On Type	63E	1		25.00
37-21B	Screw- Heater Box Resistor (2)	63L-7	1 PR		1.00 Pair
37-21C	Plug- Heater Box Resistor	63-7	1		5.00
37-22	<b>Heater Box Gasket Set (#2,6,7,9 Plus 3 Interior Flap Gaskets &amp; Rivets) (non A/C)</b>	63-67			33.00 Set
37-23	Fuse Box Gasket	63-7	1		3.00
37-25A	<b>Ballast Resistor</b> (1.8ohm/blue stripe)63L-7all,ex	63L-7	1		30.00
excpt 63 E & FI (non TI)					
37-25B	Ballast Resistor (.3ohm/BLACK DOT)63E 250,300HP	63E,64	1		30.00 EACH
& 64 with #091 COIL?(64 365,375hp)					
37-26	Resistor Screw + Lw	63-7	1		1.00
37-27	Clutch Hole Plug (with Automatic)	63-7	1		1.00
37-29	<b>Heater Delete Plates</b> (1+1)	63-7	1 PR		200.00 Pair
37-30A	Gasket Set For Heater Delete Plates	63-7	1 SET		24.00 Set
37-30B	Bolts (TR) Set For Heater Delete Plates	63-7	1 SET		9.00 Set
37-31A	x <b>Heater Blower Motor</b> (non A/C) (replacement)	64-7	1		n/a
37-31B	x Heater Blower Motor (A/C)(no Fan)	64-7	1		n/a
37-32A	x <b>Blower Fan</b> - Metal (round metal fan only)	63-7	1		n/a
37-32B	Blower Fan Nut	64-7	1		0.50
37-32C	Blower Fan Retainer	63	1		0.50
37-33	<b>Inner Heater Box Bolt Plate &amp; Rivet Set (4 &amp; 8)</b>	63-7	1 SET		18.00 Set
37-34	A/C Inner Heater Box Bolt Plate & Rivet Set	63-7	1 SET		9.00 Set
<b>Rear /Blower - 64-65 &amp; rear blower cables ...</b>					
37-35	<b>Rear Vent Cardboard Cover</b> (glue To Carpet)	64-5	1		18.00
37-36	Coupe Rear Vent Wire Screen	64-5	1		12.50
37-37A	Rear Blower Motor Mounting Screws & Grommets	64-5	1 SET		18.00 Set
37-37B	Rear Blower Motor Mounting Nut Plates & Rivets	64-5	1 SET		12.00 Set



37-37C	Front Blower Motor Stud Plates(3) & Rivets(6)	63-7	1 SET		18.00 Set
37-37D	A/C Blower Box Stud Plates & Rivets	63-7	1 SET		28.00 Set
37-38A	<b>Rear Blower Drain Hose</b> (replacement)	64-5	1		22.00
37-38	<b>Rear Blower Drain Hose - correct shape repro</b>	64-5	1		45.00
37-38B	Drain Hose Clamp	64-5	1		3.50
37-39A	Rear Blower Drain Metal Shield	64-5	1		15.00
37-39B	Drain Shield Screws & U-nuts (3 Each)	64-5	1 SET		2.50 Set
37-40M	<b>METAL Kit for Inner Heater box</b> (64-7 metal,levers,+ lever asm,rods,flaps,rivets (see photo online) (no more fiberglass boxes)	64-7	1		375.00
37-41	Screw- Heater Cables To Heater Box (2)	63-7	1 PR		1.00 Pair
37-41B	Screws- Cables To A/C Heater Box (4)	63-7	1 SET		2.00 Set
37-42	Push Nuts, Vent & Heater Cables (5)	63-7	1 SET		1.00 Set
37-43A	X <b>Defroster Duct</b> (correct fiberglass)(with bkts) X	63-7	1		N/A
37-43B	<b>3 Metal Brackets</b> only for Defroster Duct	63-7	1		25.00 set
37-44A	Center Y Duct X not made	63	1		N/A
37-44B	<b>Center Y Duct</b> (plastic/replacement)	64-7	1		175.00
37-44C	Extension Outlet For Center Y Duct	63	1		N/A
37-44D	Screws For Mounting Heater Y Duct (2)	63-7	1 SET		1.00 Set
37-45	x <b>Rear Blower Cable Assembly</b> x				
37-46	<b>Rear Blower Clamp With Seal &amp; Screw</b>	64-5	1		\$ 18.00
37-47	x Reinforcement For Steering Column,brake,pb,mc	64-6	1		n/a



Section 38 Engine & Trans Mounts • Oil Filter – Oil Pans - Oil Lines & Fittings, Engine & Oil Plugs • Dipsticks • Timing Chains



Sec-part	Name	Year	#need/car	price
38-01A	Engine Mount (orig type) (1) (USA)	63-7	2	\$ 30.00 Each
38-02	Shim- Engine Mount 427 A/C (1)	66-7	2	10.00 Each
38-03	Engine Mount Bolts (6 Pc) (E HDMK)	63-7	1 SET	12.00 Set
38-04A	Engine Mount Bolt Set (replacement)	63-7	1 SET	4.50 Set
38-04B	Engine Mount Bolt Set (UR Headmark)	63-5	1 SET	12.00 Set
38-04C	X Engine Mount Bolt Set (A Hdmk) -Use 38-04A X	66-7	1 SET	N/A
38-05	Transmission Mount (manual + Auto Trans)	63-7	1	12.00
38-06	Trans Mount Bolts & Lw (2 + 2)	63-7	1 SET	2.00 Set
38-07	Transmission Mount Bracket	63-7	1	49.00
38-08	Trans Mount Bkt Bolts, Nuts & Washers Set (2 Ea) repl.	63-7	1 SET	2.50 Set
38-09	Trans Mount To Bkt Bolt, washer & Spacer Set(2 Ea)	63-7	1 SET	4.75 Set
38-10	Lower Trans Mount Bolt & Nut	63-7	1	1.25
38-11A	Oil Filter Can (silk Screened) (w/filter&gasket)	63-7	1	\$ 110.00
38-11B	Oil Filter Element W/gasket (for Orig Can)	63-7	1	14.50
38-12	Oil Filter Can Gasket	63-7	1	3.00
38-13	Oil Filter Adapter Bolts (pr)	63-7	1 PR	1.50 Pair
38-14	Oil Filter Adapter Valve W/gasket (for Orig Type)	63-7	1	42.00
38-15	Adapter Valve Gasket	63-7	1	4.00
38-19,20	Clutch Bell Housing Bolts (see Sect 28-55), Inspection Plate Bolts (see 28-50)			
38-21	Trans To Bellhousing Bolts & Lw (TR)(4 Ea)	63-7	1 SET	10.00 Set
38-22A	Oil Pan Bolt Set (327)(18 Pc) (L + E)	63-7	1 SET	\$ 20.00 Set
38-22B	Oil Pan Bolt set (396/427)(23 Pc) (L + E)	65-7	1 SET	20.00 Set
38-23A	Timing Chain Cover Screws (327)(10 Pc) (E)	63-7	1 SET	7.50 Set
38-23B	Timing Chain Cover Screws (396/427)(10 Pc) (E)	65-7	1 SET	7.50 Set
38-23C	Dowel Pin- Timing Chain Cover 327 (pr)	63-7	1 PR	2.50 Pair
<b>Dipsticks</b> L&M correct handle, rivets, debossed/embossed I, ADD, FULL, ENGINE ...				
38-24L	X Dipstick, Chrome handle, 63 hiper (aft nov62)	63	1	USE M OR B
38-24M	Dipstick, Black 63 250-300hp & 63 hiper bef Nov62	63	1	55.00
38-24B	Dipstick REPLACEMENT 63 HIPER CHROME	63	1	
38-24C	Dipstick 327 (250-300hp)(black Tip/no Dimple)	65-6	1	35.00
38-24D	Dipstick 327 (hiper)(chrome/black Tip/no Dimple)	65-6	1	35.00
38-24E	Dipstick 327 (67 327 ALL)(unplated/black Tip)	67	1	35.00
38-24F	Dipstick 396/427 (correct w pink Tip, no Dimple)	65-7	1	\$ 35.00

Sec-part	Name	Year	#need/car	price
38-24G	Dipstick (64 hiper)(chrome)	64	1	27.00
38-24H	Dipstick (64 327/250-300hp)(unplated)	64	1	24.00
38-24J	Dipstick REPAIR Kit 327(Rubber Boot & Black Tip)	65-7	1	14.00
38-24K	Dipstick REPAIR Kit 396/427 (Boot & Pink Tip)	65-7	1	14.00
38-25A	Dipstick Tube 327 All (8")	63-4	1	15.00
38-25B	Dipstick Tube 327 All (9")	65-7	1	9.00
38-25C	Dipstick Tube 396/427	65-7	1	23.00
38-25D	Lower Dipstick Guide Tube (327)	63-7	1	10.00

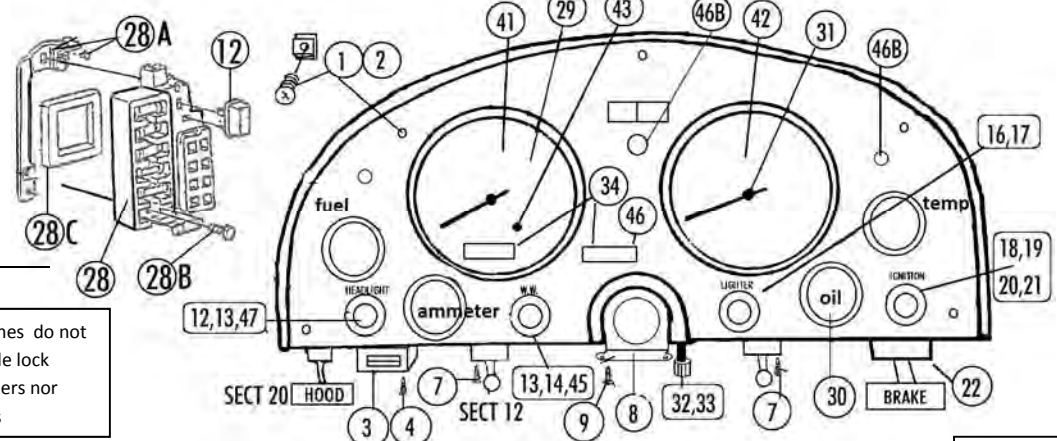
**Oil Pans** (#38-26A=C Replacement=drain On Side Not Back) #38-26N = Correct drain on back

38-26N	Oil Pan 327 (250,300,350hp)(4 Qt) Correct w "A" Drain Plug 63-7\$ 315			
38-26B	X Oil Pan 327 (63 340hp,64-65 365-375hp)(5 Qt) GM359942	X		discontinued
38-26D	x Oil Pan (396/427)With Correct Reinforc&Windage Tray	65-7	1	discontinued
38-26E	Gasket (327 Oil Pan)(4 Pc)	63-7	1 SET	36.00 Set
38-26F	Gasket (396/427 Oil Pan)(4 Pc)	65-7	1 SET	32.00 Set
38-26G	Reinforcements Only- 396/427 Oil Pan	65-7	1 SET	24.00 Set
38-26J	x Oil Pan Baffle (windage Tray)327/340-375)	63-5	1	n/a
38-26K	Oil Pan Baffle (windage Tray)(396/427)	65-7	1	25.00
38-26L	x Studs For Windage Tray (327/340-375hp)(5) x	63-5	1 SET	n/a
38-26M	X Studs For Windage Tray (396/427)(5)	65-7	1 SET	N/A
38-27B	Oil Drain Plug SEAL (white)	63-7	1	1.00
38-27C	Oil Drain Plug & Seal (A Headmark)	63-7	1	10.00
38-27D	Magnetic Oil Drain Plug & Seal (correct Hdmk A)	63-7	1	15.00
38-28A	Transmission Drain Plug	63-7	1	4.50
38-29	Engine Square Plug 396 & 427	65-7	1	5.50
38-30A	Oil Pressure Line & Fittings (327 No Fl)(prebent 327 =Prebent Copper Coated Steel -yes Magnetic	63-7	1	24.00
38-30B	Oil Pressure Line (coiled) & Fittings (65-7 396/427) steel/magnetic			29.00
38-30C	Fittings (2) And Adapter (1) (for All Oil Lines)	63-7	1 SET	6.50 Set
38-30D	F. I. Oil Line Kit (prebent)(NCRS Correct)	63-5	1	49.00
38-31A	Oil Pressure Line Bushing (396/427)(425-435hp)	65-7	1	4.50
38-31B	Oil Pressure Line Elbow (427 Auto Only)(use With 38-31C)	67	1	8.00
38-31C	Oil Pressure Line Bushing 427/390-400hp	66-7	1	3.50

Timing Chain covers with welded Tab/ see photos online (all have dowel holes )				
38-32A	Timing Chain Cover (327) 63-67 250-300hp correct Tab	63-7		DISCONTINUED
38-32B	Timing Chain Cover 66-67 327 Hiper with Correct Tab	66-7	1	68.00
38-32B3	Timing Chain Cover 63 327 Hiper with Correct Tab	63	1	68.00
38-32B4	Timing Chain Cover 64-65 327 Hiper With Correct Tab	64-5	1	68.00
38-32C	Timing Chain Cover W Tab 65 396/425 66 427/425hp	65-6	1	68.00
38-32D	Timing Chain Cover W Tab 66 427/390hp	66	1	68.00
38-32E	Timing Chain Cover W Tab 67 427/390-400hp	67		DISCONTINUED
38-32F	X Timing Chain Cover W Tab 67 427/430-435hp	67		DISCONTINUED
38-33A	Front Seal (327 Timing Chain Cover Round Seal)	63-7	1	15.00
38-33B	Front Seal (396/427 T/C Cover Round Seal)	65-7	1	15.00
38-34A	Gasket (327 Timing Chain Cover)	63-7	1	6.00
38-34B	Gasket (396/427 Timing Chain Cover)	65-7	1	10.00
38-35A	Oil Pickup & Screen (327) (4 Qt pan)	63-7	1	25.00
38-35B	Oil Pickup & Screen (396/427)	65-7	1	32.00
38-35E	X 327 Oil Pickup Installation Tool	-	1	N/A
38-35F	427 Oil Pickup Installation Tool		1	8.00
38-36A-F	X Oil Pumps - no	63-7	1	N/A
38-36F	Oil Pump Bolt (327)	63-7	1	2.00
38-36G	Oil Pump Bolt (396/427)	65-7	1	2.50
38-37A	Oil Pump Shaft (327) x	63-7	1	N/A
38-37B	Oil Pump Shaft (427)	65-7	1	20.00
38-39	Timing Chain Gear - look online			
38-41A	Rear Main Seal- 327 (2 Pc)	63-7	1	46.00 Pair
38-41B	Rear Main Seal- 396/427 (2 Pc) x	65-7	1	N/A
38-42A	Timing Tab only 63-7 327/250-300hp	63-7	1	12.00
38-42B	Timing Tab only, 66-67 327 hiper	66-7	1	12.00
38-42B3	Timing Tab only, 63 327 hiper	63	1	12.00
38-42B4	Timing Tab only 64-65 327 hiper	64-5	1	12.00
38-42C	Timing Tab only, 65 396/425,66 427/425hp	65-6	1	12.00
38-42D	Timing Tab only 66 427/390-400hp	66	1	12.00
38-42E	Timing Tab only - 67 427/390-400 hp	67	1	12.00
38-42F	Timing Tab only - 67 427/430-435hp	67	1	12.00

Section 39 Dash Cluster: Gauges, Lenses, Ign Wiper, HL Switches, Odometer Cables, Lighters, Knobs, Fuse Block, Dimmer

Sect-Part#	Name	Year	#	Need/Car	Price
39-01	Dash Cluster Screw Set (5 Pc) (black)	63-7	1	SET	\$ 5.75 Set
39-02	u-nut (for dash cluster (5) repro/square	63-7	1	SET	\$ 22.00 set
39-03	<b>Head Light Motor Switch</b> (up-down)	63-7	1	100.00	
39-03B	Head Light Motor Switch Plug (replacement)	63-7	1	20.00	
39-04	HL Switch Mtg Screws And Nuts (2 Ea)	63-7	1	SET	2.25 Set
39-06H	Black Plastic Vent Knob (#=12-63)	65-6	2-3		9.50 Each
39-07A	<b>Vent Cable Screws</b> (pr) (zinc)	63-4	2-3PR		1.00 Pair
39-07B	Vent Cable Screws (pr) (black)	65-6	2-3PR		1.00 Pair
39-07C	Cable Clip- Heater to RH vent CABLE (under dash)	63-6	1		5.00
39-08A	<b>Steering Column Collar</b> (includes 39-08D)	63	1		79.00
39-08B	Steering Column Collar (includes 39-08E)	64-6	1		79.00
39-08C	Steering Column Collar (includes 39-08E)	67	1		79.00
39-08D	Insulator & Retainer For Steering Column Collar	63	1	SET	14.00 Set
39-08E	Insulator & Retainer For Steering Column Collar	64-7	1	SET	14.00 Set
39-09	Steering Collar Screws (pr)	63-7	1	PR	1.00 Pair
39-12A	<b>63 Headlight Switch (pull-on/off)</b>	63	1		\$ 33.00
39-12B	64-67 Headlight Switch (pull-on/off)	64-7	1		25.00
39-12C	Plug & Terminals For Headlamp Switch	64-7	1	SET	39.00 Set
39-12D	Headlight Motor <b>Circuit Breaker</b> (with Nuts)	63-6	1		12.00
39-12E	Headlight Motor Circuit Breaker <b>Clip</b>	63-6	1		14.00
39-12F	Headlight Motor Circuit Breaker (with Nuts)	67	1		22.00
39-12G	Mounting Screws For Headlight Circuit Breaker	67	1	PR	1.50 Pair
39-12H	Nut & Lw For Headlight Circuit Breaker (pr)	63-7	1	PR	0.50 Pair
39-13	Headlight Switch Nut (with Nylon Bushing)	63-7	1		15.00
39-14A	<b>Wiper Switch 63-64 (Original /New Old Stock)</b>	63-4	1		50.00
39-14B	Wiper Switch 65-66 (repro)	65-6	1		50.00
39-14C	Wiper Switch, 1967 new, repro	67	1		55.00
39-14D	Plugs & Terminals For Wiper Switch (63-6)	63-6	1		5.00
39-15	<b>Wiper Switch Nut</b>	63-7	1		5.50
39-16A	Lighter Housing (replacmnt-only 2 tabs)	63-7	1		15.00
39-16B	Lighter Housing Retainer (With slots)(replacem)	63-7	1		10.00
39-16C	Lighter Bulb Shade	63-7	1		12.50
39-17A	63-64 <b>Lighter Knob With Element</b>	63-4	1		33.50
39-17B	65 Lighter Knob With Element	65	1		33.00
39-17C	66 Lighter Knob With Element	66	1		33.00
39-17D	67 LigQOhter Knob With Element	67	1		33.00
39-17E	Lighter Element (no Knob)(replacement Casco 78)	63-7	1		9.00
39-18A	<b>Ignition Switch</b> (replacement)	63-4	1		45.00
39-18B	Ignition Switch (65) X discontinued.	65	1		N/A
39-18C	Ignition Switch (66-7)with Light socket (no push for acc (Re pv/ncrsX)	66-7	1		\$ 85.00
39-18CR	Ignition Switch (replacement = NO Light Socket)	66-7	1		45.00
39-19A	<b>Ignition Switch Nut</b> (shiny)	63-5	1		13.00 Each
39-19B	Ignition Switch Nut (dull)	66-7	1		11.00
39-19C	Screw For Ignition Switch Light	63-4	1		1.00
39-20A	<b>Ignition Lock Cylinder</b> (keyed)	63-4	1		35.00
39-20B	Ignition Lock Cylinder (keyed)(N.O.S.)	65	1		35.00
39-20C	Ignition Lock Cylinder (with Correct Key)	66	1		35.00
39-20CR	Ignition Lock Cylinder (replacement Keyway)	66	1		15.00
39-20D	Ignition Lock Cylinder (keyed- "A" Keyway)	67	1		35.00
39-21A	Key- Hex (for Ignition Lock)	63-6	1		5.00
39-21C	A Key- Hex (Ign & Door) x	67	1	x no more.	
39-21CR	A Key- Hex (Ign & Door) replacement no imprint	67	1		4.00
39-21D	B Key- Round (gb & Tire)(n.o.s.)	67	1		10.00
39-22	Parking Brake Handle Bracket Bolt (pr)	63-6	1	PR	2.00 Pair
39-23A	<b>Hood Release Bkt Bolts</b> (pr)	63-6	1	PR	2.00 Pair
39-23B	Hood Release Bkt Screws (pr)	67	1	PR	1.50 Pair
39-25A	<b>Headlight Dimmer Switch</b> (on Floor) (repl)	63-7	1		10.50
39-25B	Plastic Grommet In Carpet For Dimmer Switch(repl)	63-7	1		1.50
39-25C	<b>Rubber Grommet In Carpet For Dimmer Switch</b>	63-7	1		10.50
39-26A	Screws For Dimmer Switch (pr)	63-7	1	PR	2.00 Pair
39-26B	Mounting Plate For Dimmer Switch (with Rivets)	63-7	1		7.50
39-26C	Plug & Terminals For Dimmer Switch	63-7	1		3.50
39-27	Brake Light Switch (see Sect 28-59)				
39-28A	<b>Fuse Block Mounting Plate, rivets,u-nuts</b>	63-7	1		11.00
39-28B	Fuse Block Mounting Bolts (pr)	63-7	1	PR	1.50 Pair
39-28C	Fuse Box Gasket	63-7	1		3.00
39-28D	Fuse Block (with Buss Bars & Fuse Clips)1963 x	63	1		n/a
39-28E	<b>Fuse Block</b> (with Buss Bars & Fuse Clips)	64-6	1		\$ 125.00
39-28F	Fuse Block (with Buss Bars & Fuse Clips)	67	1		125.00
39-28H	Fuse Block Bulk Head Connector With Terminals	63-7	1		125.00
39-29A	<b>Speedo Or Tachometer Lens</b> (1) (plastic)	63	2		16.00 Each
39-29B	Speedo Or Tachometer Lens (1) (glass)	64-7	2		14.00 Each
39-29C	<b>Speedwarning Lens Set (1+1) (plastic)</b>	67	1	PR	49.00 Pair
39-29D	Speed Warning Buzzer/ Tach Buzzer (replacement)	63or7	1		23.00
39-29E	Terminal in cluster, Speedwarning Buzzer 63or67	63or7	1		15.00
39-30A	<b>Small Gauge Lens (plastic)</b> 1963	63	4		9.25 Each
39-30B	Small Gauge Lens (glass) 64-67	64-7	4		9.25 Each
39-31A	63-64 Speedo Or Tach Needle	63-4	2		44.00 Each
39-31B	65-67 Speedo Or Tach Needle	65-7	2		19.00 Each
39-32A	<b>Odometer Reset Cable</b> (with Nut & Knob)	63-4	1		47.00
39-32C	Odometer Reset Cable (with Nut & Knob)	65-7	1		47.00
39-32B	Nut only for Odometer Reset Cable	63-7	1		4.75
39-33	Odometer Reset Knob	63-7	1		2.50
39-34	<b>Odometer Number Wheels (pr)</b>	63-7	1	PR	\$ 100.00 Pair



Switches do not include lock cylinders nor knobs

< lighters (elements are replacement #)

<Ign Switches (does not include lock cyl)

<Lock cylinders

<Dimmer

< fuse block

<Lenses

needles dash bulb (sets sect 43)

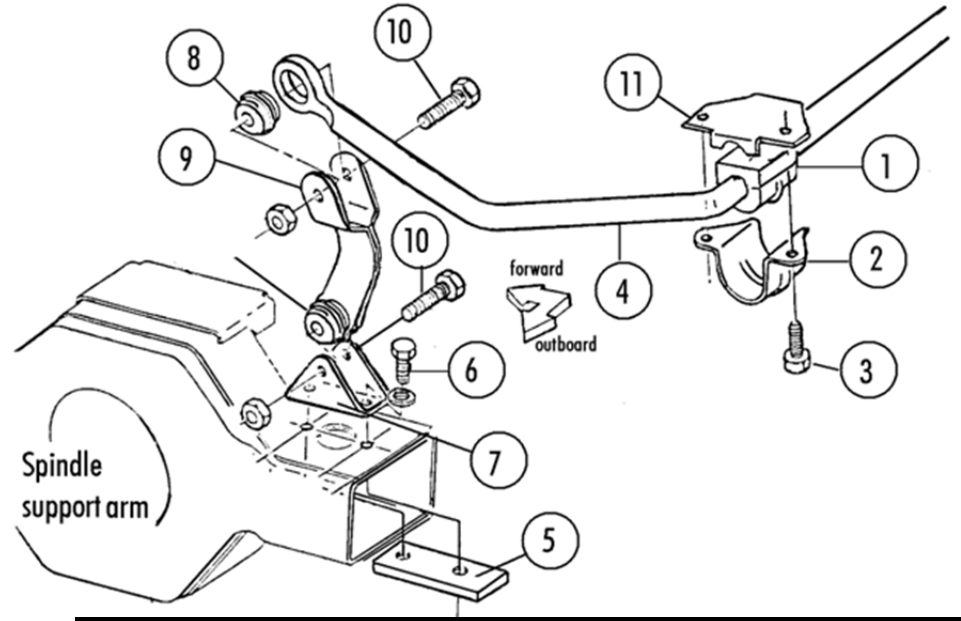
39-35	<b>Odometer Gear Set</b> (3 Pc Metal Gears)	63-7	1	SET	55.00 Set	<odometer
39-36	<b>Gasket Set For Odometer Lens &amp; Dash Lenses(23pc)</b>	63-7	1	SET	9.75	
39-37	Rear Cluster Case Screw & Pal Nut Set (21 Pc)	63-7	1	SET	7.50 Set	
39-38A	<b>Ammeter</b> 1963	63	1		78.00	
39-38B	Ammeter 1964	64	1		78.00	
39-38C	Ammeter (No Terminals) 65-67	65-7	1		78.00	<LOWER \$ 7-2019<
39-38D	x Plug For Ammeter (replacement) - no more	63-7	1		n/a	Gauges
39-38E	Terminals For Ammeter Or Temp Gauge (pr)	65-7	2	PR	8.00 Pair	no returns on electrical items
39-38F	Terminals For Fuel Gauge (pr)	65-7	1	PR	4.00 Pair	
39-38G	Small Gauge Mounting Reinforcements (3)	63-7	1	SET	15.00 Set	
39-39A	<b>Fuel Gauge</b>	63	1		78.00	
39-39B	Fuel Gauge (N.O.S. IN BOX)	64	1		90.00 NOS	
39-39BR	Fuel Gauge (repro)	64	1		78.00	
39-39C	Fuel Gauge	65-7	1		78.00	
39-39D	Plug For Fuel Gauge	63-7	1		2.00	
39-40A	<b>Temperature Gauge</b> 1963	63-7	1		78.00	
39-40B	Temperature Gauge 1964	64	1		78.00	
39-40C	Temperature Gauge (66-67 250 degree)	66-7	1		78.00	
39-40C5	Temperature Gauge (65) (65 240degree)	65	1		78.00	
39-40D	x Plug For Temperature Gauge In Dash (replacement)	63-7	1		n/a discontinued	
39-40R	<b>Oil Pressure Gauge</b> (60#) 63 All Until #116532)	63	1		78.00	
39-40S	Oil Pressure Gauge (80#)(63all After #116532)	63	1		78.00	
39-40U	Oil Pressure Gauge (80#)(64 all hp)	64	1		78.00	
39-40W	Screw For Oil Pressure Gauge (2)	63-7	1	PR	0.50 Pair	
39-40X	Oil Pressure Gauge 60# (65-7 250-350hp,390-400hp)	65-7	1		78.00	
39-40Y	Oil Pressure Gauge 80# (65-7 365-375hp,425-450hp)	65-7	1		78.00	
39-40Z	Small Gauge Face Rivet (10)	63-7	1	SET	2.00 Set	
39-40ZK	Small Gauge Face Rivets (200)	63-7	1	SET	20.00 Set	
39-41C	Speedo/tach Face Slotted Screws (4)	65-7	1	SET	2.00 Set	
39-41D	Tach/speedo Mounting Screw, Gmt & Cushion (5+5+2)63-7	63-7	1	SET	10.50 Set	
39-41E	Round Cushions (Gmt) For Speed/tach Mounting (5)	63-7	1	SET	5.00 Set	
39-41F	Rectangular Cushion For Speed/tach (2)	63-7	1	PR	4.00 Pair	
39-42A	<b>Tach Gauge</b> (5300 Redline)250-300hp+66/390hp	65-7	1		\$ 169.00	
39-42B	Tach Gauge (6000 Redline)350hp+67/390-400hp	65-7	1		169.00	
39-42C	Tach Gauge (6500 Redline)365-375hp+425-435hp	65-7	1		169.00	
39-42F	<b>Tach Face Only</b> (5300 Redline)	65-7	1		36.00	< Tach
39-42G	Tach Face Only (6000 Redline)	65-7	1		36.00	
39-42H	Tach Face Only (6500 Redline)	65-7	1		36.00	
39-43	<b>Speed Warning Knob</b>	67	1		35.00	
39-44C	Speedometer Face Only 65-67	65-7	1		31.00	
39-45A	<b>Windshield Wiper/washer Knob</b>	63-4	1		29.00	< Wiper knobs
39-45B	Windshield Wiper/washer Knob	65	1		\$ 25.00	filters
39-45C	Windshield Wiper/washer Knob	66	1		25.00	HLknobs
39-45D	Windshield Wiper/washer Knob	67	1		25.00	
39-46	<b>Odometer Plastic Lens</b>	63-7	1		13.50	
39-46A	<b>Dash Bulb Filter Set</b> (2 Green-turn,1 Red-brake)	63-7	1		25.00 Set	
39-46B	<b>Dash Bulb Filter Set</b> (2 Green-turn,1 Red-brake)+5 carbdr tubes	63-7	1		29.00 set	
39-47A	<b>Headlight Knob &amp; Rod</b>	63	1		30.00	
39-47B	Headlight Knob & Rod	64	1		33.00	
39-47C	Headlight Knob & Rod	65	1		30.00	
39-47D	Headlight Knob & Rod	66	1		30.00	
39-47E	Headlight Knob & Rod	67	1		30.00	
39-48A	Dash Bulb- Blinking Bulb (HL Open 63-7, pk br 63-66)	63-7	1or2		4.00 Each	< Bulbs see sect 43 for bulb & fuse sets
39-48B	Bulb- Instrument Panel, Clock, & Radio Light	63-7	15		1.00 Each	
39-48C	Bulb: Cigar Lighter, High Beam, & Ignition Switch	65-7	3		1.00 Each	
39-48D	Bulb: Glove Box, Heater Controls, & A/c Controls	63-7	4		1.00 Each	
39-48E	Bulb: Cigar Lighter, High Beam & Ignition Switch	63-4	4		1.00 Each	
39-49	Ground Terminal On Dash Cluster	63-7	1		3.00	

>> no returns on electrical items: switches/gauges/etc...



## Section # 40 396 & 427 Rear Stabilizer Bar And Hardware

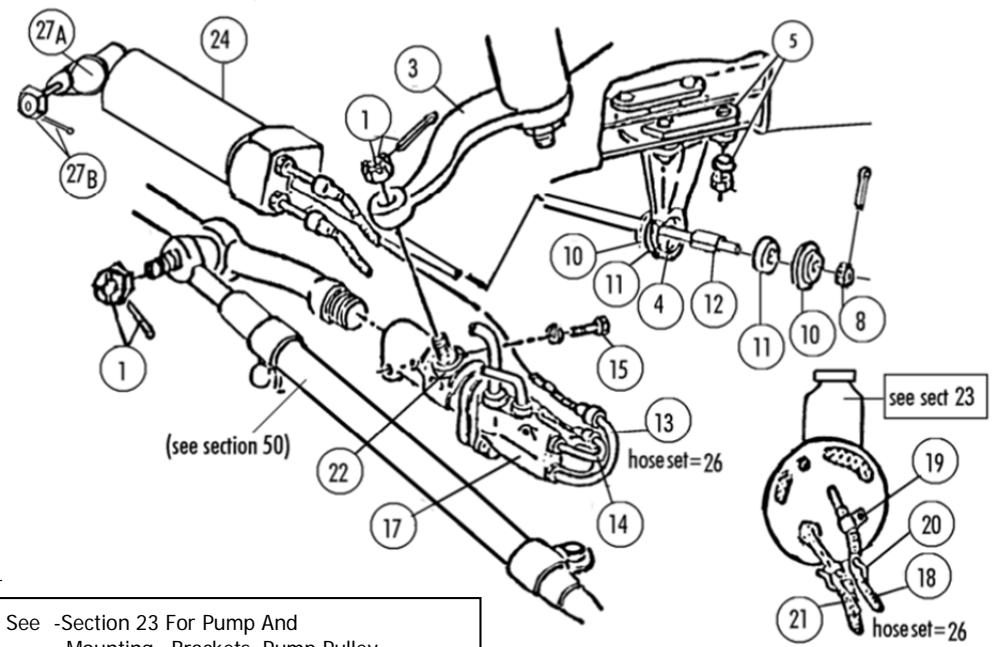
Sec-Part#	Name	year	#need/car	price
40-01	Rear Stabilizer BUSHINGS(2) (396/427)	65-7	1 PR	\$ 12.00 PAIR
40-02	Rear Stabilizer Bracket On Frame (396/427)	65-7	2	9.50 Each
40-03	Frame Bracket Bolts (anchor)(4 Pc)	65-7	1 SET	5.00 Set
40-04	Rear Stabilizer Bar (9/16")(396/427)	65-7	1	225.00
40-05	Stabilizer Bracket Nut Plate On Torque Arm	65-7	2	8.50 Each
40-06	Stabilizer Bracket Bolts & Washers (4 Ea)(WB)	65-7	1 SET	3.00 Set
40-07	Stabilizer Bracket On Torque Arm	65-7	2	7.00 Each
40-08	Stabilizer Bracket Bushing & Link Bushing	65-7	4	7.00 Each
40-09	Stabilizer Link	65-7	2	10.50 Each
40-10	Stabilizer Link Bolts & Nuts (4 Ea)	65-7	1 SET	4.75 Set
40-11	Stabilizer Bushing Retainer	65-7	2	7.50 Each
40-12 ▶	<b>Rear Stabilizer Bar + Hdwre (#1-11 all of above)</b>	65-7	1 SET	350.00 Set
40-13 ▶	<b>Rear Stabilizer Hardware Set (without bar#4)</b>	65-7	1 SET	125.00 Set



## Section 41 Power Steering Hoses And Kits

Sect-part	name	year	#need/car	price
41-01	Drag Link Pivot Nut (see 50-09)			
41-02	Relay Rod (Power Steering) X	63-7	1	
41-03	Pitman Arm (P/S)	63-7	1	\$ 55.00
41-04	P/S Piston Bracket	63-7	1	47.00
41-05	Piston Bracket Bolt Plate (2),Nut & Washer Set	63-7	1 SET	10.00 Set
41-08	P/S Piston Nut & Cp	63-7	1	6.00
41-10	P/S Piston Cushion Retainers (pr)	63-7	1 PR	5.50 Pair
41-11	P/S Piston Rod Rubber Cushions (pr)	63-7	1 PR	5.00 Pair
41-12	P/S Piston Rod Cushion Spacer	63-7	1	3.00
41-26A ▶	<b>Power Steering Hose Set (327)(4 Pc) (USA)</b>	63-7	1 SET	69.00 Set
41-26B ▶	<b>Power Steering Hose Set (396/427)(4 Pc) (USA)</b>	65-7	1 SET	75.00 Set
41-13	xP/S Piston Retractor Hose ---see set	63-7	1	
41-14	xP/S Piston Extension Hose ---see set	63-7	1	
41-15	P/S Valve Clamp BOLT & LW	63-7	1	1.25
41-17A	x P/S Valve- New x NOT AVAIL	63-7	1	
41-17D	<b>P/S Valve: Seal,Clamp,O-Ring &amp; Seal Kit (8 Pc)</b>	63-7	1 SET	24.00 Set
41-18	xP/S Pump Hose- Return ---see set	63-7	1	
41-19B	P/S Pump Return Hose Clamp (replacement)	63-7	1	2.50
41-20	Hose clip, Power Steering Pump	63-7	1	5.25
41-21A	x Power Steering Pump Pressure Hose 327 >SEE SET 41-26A	63-7	1	-
41-21B	Power Steering Pump Pressure Hose (396/427)	65-7	1	28.00
41-22	Seal & Clamp Kit (power Steering Valve)(correct)	63-7	1	10.00
41-23	Rivets- (steering Arm Plugs)(see Sect 49-58)	63-7		
41-24A	Power Steering Cylinder/piston, NEW/we don't sell x	63-7	1	n/a
41-25	Power Steering Valve Small Nut & Cap	63-7	1 SET	15.00 Set
41-26A ▶	<b>Power Steering Hose Set (327)(4 Pc) (USA)</b>	63-7	1 SET	69.00 Set
41-26B ▶	<b>Power Steering Hose Set (396/427)(4 Pc) (USA)</b>	65-7	1 SET	69.00 Set
41-27A	Nut & Cp For P/S Piston Stud (1+1)	63-7	1 PR	1.75 Pair
41-27B	Boot For P/S Piston Stud	63-7	1	5.00

Section 41 Power Steering Hoses And Kits



▶ **Add Power steering**, includes: rebuilt pump, rebuilt valve & rebuilt piston, drag Link, pitman arm, hoses brkts, bolts (no belts), includes pump pulley and "add on groove" p/s pulley

>> **SELLING THESE KITS OFF: NO MORE. X**

41-30A	P/S Set Up (327/250-300hp)or(65-7 350hp With A/C)	63-7		DISCONTINUED.
41-30B	P/S Set Up (65-7/350HP no A/C) & (63-5 340,360,365hp)			DISCONTINUED.
41-30C	X Power Steering Set Up (396/427) x no more	65-7		DISCONTINUED

See -Section 23 For Pump And Mounting -Brackets, Pump Pulley  
 -Section 24 Pulleys  
 -Section 59 Belts



Section #42 Rubber Weatherstrips -Window Channels - Molding Clips

Sec-part	Name	year	#need	price	
42-01	Coupe Windshield Rubber Weatherstrip	63-7	1	\$ 45.00	<COUPE
42-02A	Coupe Door Weatherstrip(LH)(with Correct Corner)	63-7	1	22.50	
42-02B	Coupe Door Weatherstrip(RH)(with Correct Corner)	63-7	1	22.50	
42-03A	Door Dog Leg Weatherstrip LH	64-7	1	17.00	
42-03B	Door Dog Leg Weatherstrip RH	64-7	1	17.00	
42-03C	Retainers (plastic) For Dogleg W/S (set Of 8)	63-6	1 SET	4.50 Set	
42-03D	Retainers For Dogleg Weatherstrips (metal)(8)	67	1 SET	13.50 Set	
42-03E	Door Dog Leg Weatherstrip LH 1963	63	1	17.50	
42-03F	Door Dog Leg Weatherstrip RH 1963	63	1	17.50	
42-04C	Coupe Overdoor Weatherstrip Screws (for 4E)(14pc)	63	1 SET	11.00 Set	
42-04D	Coupe Overdoor Weatherstrip Screws (for 4E)(14pc)	64-7	1 SET	11.00 Set	
42-04E	Coupe Over Door Weatherstrips (pair)(on Body)	63-7	1 PR	114.00 Pair	
42-05A	Coupe Hinge Pillar Weatherstrip LH (except 66)	63-7	1	28.50	
42-05B	Coupe Hinge Pillar Weatherstrip RH (except 66)	63-7	1	28.50	
42-05C	Coupe Hinge Pillar Screw&rivet Set (for 5A+B)	63-7	1 SET	5.00 Set	
42-06A	Coupe Vent Window "L" Weatherstrip LH	63-7	1	49.00	
42-06B	Coupe Vent Window "L" Weatherstrip RH	63-7	1	49.00	
42-07A	Coupe Vent Window Straight Weatherstrip LH	63-7	1	26.00	
42-07B	Coupe Vent Window Straight Weatherstrip RH	63-7	1	26.00	
42-08	Hood Ledge Weatherstrip	63-7	1	10.00	
42-08B	metal Pins For 1967 only Hood Weatherstrip (pr)	67	1 PR	3.50 Pair	
42-09	Roadster Windshield Rubber Weatherstrip	63-7	1	\$ 69.00	<roadster
42-10A	Roadster Door Rubber Weatherstrip LH	63-7	1	58.00	
42-10B	Roadster Door Rubber Weatherstrip RH	63-7	1	58.00	
42-12C	Roadster Pillar W/S Screw & Pin Set (for 42-12d)	63-7	1 SET	8.50 Set	
42-12D	Roadster Windshield Pillar Weatherstrip (pr)	63-7	1 PR	99.00 Pair	
42-14	Roadster Top Compartment Lid Weatherstrip	63-7	1	34.00	
42-15C	Soft Top Front Rubber Weatherstrip With Pins	63-7	1	16.00	
42-16A	xSoft Top Front Overdoor Weatherstrip LH in set42-98	63-7	1	x	
42-16B	Soft Top Front Overdoor Weatherstrip RH	63-7	1	56.00	
42-17	Soft Top Overdoor Rear Weatherstrip	63-7	2	27.00 Each	
42-18A	Soft Top Behind Window Vertical W/S LH	63-7	1	33.00	
42-18B	Soft Top Behind Window Vertical W/S RH	63-7	1	33.00	
42-19A	Soft Top Rear Bow Weatherstrip	63-7	1	22.00	
42-19B	Soft Top Rear Bow W/S Retaining Cord	63-7	1	5.00	
42-20A	Soft Top Rear Bow W/S Block LH	63-7	1	22.00	
42-20B	Soft Top Rear Bow W/S Block RH	63-7	1	22.00	
42-21	Roadster Vent Window Upper Rubber Stop (1)	63-7	2	7.00 Each	
42-22	Hardtop Rear Bow W/S	63-7	1	45.00	
42-23A	Hardtop Front Skinny Outer W/S	63-7	1	22.00	
42-23B	Hardtop Front Inner W/S With Pins	63-7	1	16.00	
42-23C	Hardtop Front Outer Weatherstrip Clips (1)	63-7	13	4.75 Each	
42-23D	Hardtop Front Outer W/S Clip Set (set Of 13)	63-7	1 SET	59.00 Set	
42-24	Hardtop Rear Window Weatherstrip	63-7	1	50.00	
42-26A	Roadster Vent Window L W/S LH	63-7	1	54.00	
42-26B	Roadster Vent Window L W/S RH	63-7	1	54.00	
42-27A	Roadster Vent Window Straight W/S LH	63-7	1	25.00	
42-27B	Roadster Vent Window Straight W/S RH	63-7	1	25.00	

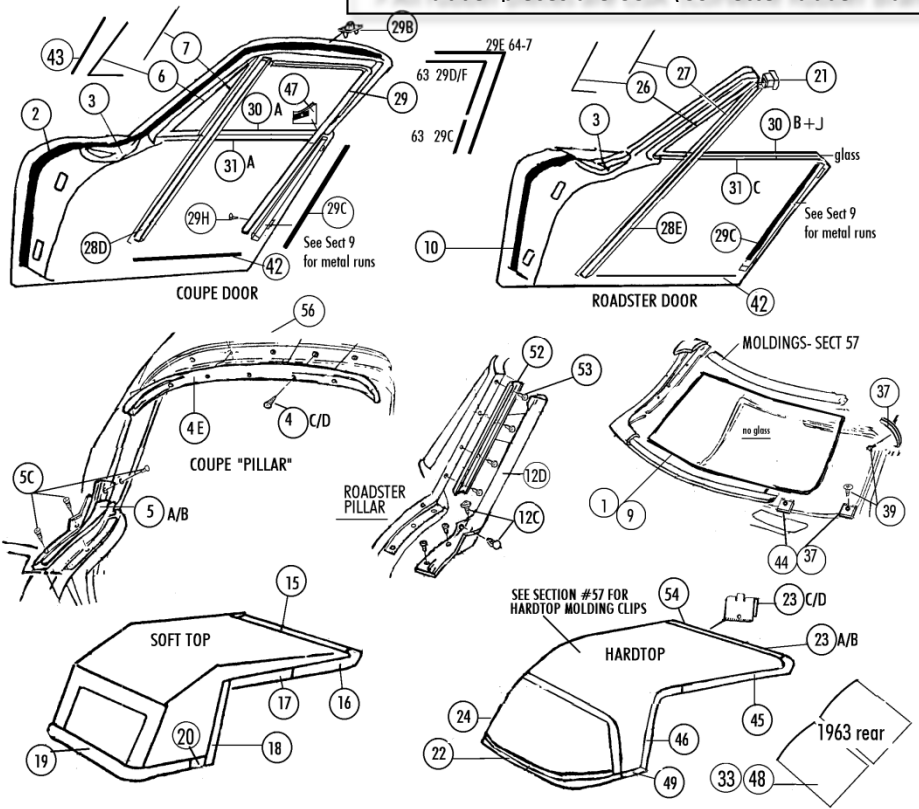
Window Channels - wiper, flex channels - fuzzy channels ...\$				
42-28C	Rivets (4) for Rigid Front Channel Rivets	63-7	1 SET	\$ 2.00 Set
42-28D	Coupe Rigid Front Channels (prepunched)(pr) (with Rivets)	63-7	1 PR	35.00 Pair
42-28E	Roadster Rigid Front Channel (prepunched)(pr)(with Rivets)	63-7	1 PR	35.00 Pair
42-29B	Clips (for Coupe Rear Flex Channel)(set 20)	63-7	1 SET	15.00 Set
42-29C	Rear Channel Liner (pair)(63C&R, 64-67 Roadster)	63-7	1 PR	15.00 Pair
42-29D	63 Coupe Flex-rear & Top (prebent/clips Installed)	63	1 PR	110.00 Pair
42-29E	Coupe Flex-Rear/Top (pr) >1 larger outer bead + small inner)	64-7	1 PR	131.00 Pair
42-29F	63 Coupe Flex- Prebent W Clips And Metal Reinf(pr)	63	1 PR	189.00 Pair
42-29H	Screw- Coupe Lower Window Flex Channel (2)	64-7	1 PR	1.00 Pair
42-30A	Coupe Outer Window Rubber Wipe (pr) (rivet on)	65-7	1 PR	34.00 Pair
42-30B	Roadster Outer Window Rubber Wipe (pr)(rivet on)	65-7	1 PR	34.00 Pair
42-30C	Rivets, Window Outer Wipe To Metal (6 Pc)	65-7	1 SET	2.00 Set
42-30D	Screw set (10), Outside Wipe Metal Trim To Door	63-7	1 SET	4.75 Set
42-30E	Coupe Outer Rubber Wipes (staple On)(pr)	64	1	34.00 Pair
42-30F	Roadster Outer Rubber Wipes (staple On)(pr)	64	1	34.00 Pair
42-30H	Metal only (PR) for door wipe outer -Coupe 64-7	64-7	1 PR	160.00 PAIR
42-30J	Metal only (PR) for door wipe/outer Rdster 64-7	64-7	1 pr	160.00 Pair
42-31A	Coupe Inner Fuzzie Wipes & S.S. Trim (pr)	63-7	1 PR	40.00 Pair
42-31C	Roadster Inner Fuzzie Wipes & S.S. Trim (pr)	63-6	1 PR	40.00 Pair
42-31D	Roadster Inner Fuzzy Wipes & S.S.trim (pr)	67	1 PR	40.00 Pair
42-32	Staples For Inner Fuzzie & Outside Wipes (10)	63-7	1 SET	2.00 Set

42-33	63Coupe Split Rear Window Rubber Weatherstrips	63	1 PR	99.00 Pair
42-34	64-67 Coupe Rear Window Installation Tape	64-7	1	19.00
42-35	63 Coupe Upper & Lower Wndshld Molding Clips (24 Pc)	63	1 SET	\$ 89.00 Set
42-36	63 Roadster Lower Windshield Molding Clips (13 Pc)	63	1 SET	48.00 Set
42-37	64-67 Coupe Windshield Molding Clips (23+2)	64-7	1 SET	60.00 Set
42-38	64-67 Coupe Rear Window Molding Clip Set (24 Pc)	64-7	1 SET	26.00 Set
42-39A	64-67 Coupe Windshield Molding Clip Screw Set (27)	64-7	1 SET	6.75 Set
42-39B	Roadster Windshield Molding Clip Screws (11)	64-7	1 SET	3.00 Set

(see also Sect 57 more clip sets)

42-40	Coupe Rear Window Clip Screw Set (24)	64-7	1 SET	\$ 6.00 Set
42-41A	Coupe Rear Window Setting Rubber Spacers (12 Pc)	64-7	1 SET	7.50 Set
42-42	Side Window Glass Mounting Grip Strip (2 Pc)	63-7	1 PR	8.50 Pair
42-43	Vent Window Glass Mounting Grip Strips (2 Pc)	63-7	1 PR	8.50 Pair
42-44	Roadster Lower Windshield Molding Clips (11 Pc)	64-7	1 SET	23.00 Set
42-45A	Hardtop Front Corner Over Window W/S LH x see set 42-99	63-7	1 in set	42-99
42-45B	Hardtop Front Corner Over Window W/S RH x see set 42-99	63-7	1 in set	42-99
42-46A	Hardtop Vertical Behind Window W/S LH	63-7	1	55.00
42-46B	Hardtop Vertical Behind Window W/S RH	63-7	1	55.00
42-47A	Coupe Window Channel Metal Corner Reinf (pr)	63	1 PR	\$ 28.00 Pair
42-47B	Coupe Side Window Corner Trim Repair Kit"fuzzie"	64-7	1 SET	8.00 Set
42-47E	Corner Trim For Coupe Side Window (pair)(L+R)	64-7	1 PR	70.00 Pair
42-48	63 Coupe Rear Window Molding Clip Set (26 Pc)	63	1 SET	145.00 Set
42-49A/B	Hardtop Lower Extension W/S (L / R SEE SET 42-99	63-7	SEE SET	42-99
42-50	Soft Top Weatherstrip Fastener Set (58 Pc)	63-7	1 SET	22.00 Set
42-51	Hardtop Weatherstrip Screw Set (51 Pc)	63-7	1 SET	15.00 Set
42-52	Roadster Windshield Pillar W/S RETAINER (ss/metal)(1)	63-7	2	38.00 Each
42-53	Roadster W/S Pillar Retainer Screws (8)	63-7	1 SET	6.00 Set
42-54	Screw For Hard Top Front S.S. Trim (11)	63-7	1 SET	3.00 Set
42-55	Roadster Top Rear Bow Screws (4)	63-7	1 SET	6.00 Set
42-56A/B	Coupe Gutter & Extensions On Rear Door Jamb	63	1	continued.
42-96A	64, 65-7 Coupe Body Weatherstrip Set (9 Pc) exc66	64, 65-7		\$ 256.00 Set
	(Includes 42-2A&B, 3A&B, 4E, 5A&B, 8)			
42-96B	66 Coupe Body Weatherstrip Set (7 Pc)	66	1 SET	\$ 194.00 Set
	(Includes 42-2A&B, 3A&B, 4E, 8) 1966 *no*5			
42-96C	63 Coupe Body Weatherstrip Set (9 Pc)	63	1 SET	\$ 290.00 Set
	Includes: 42-02A&B, 3E&F, 4E, 5A, 5B, 8			
42-97A	63 Roadster BODY Weatherstrip Set (8 Pc)	63	1 SET	\$ 295.00 Set
	(Includes 42-3E&F, 8, 10A&B, 12D, 14)			
42-97B	64-7 Roadster BODY Weatherstrip Set (8 Pc)	64-7	1 SET	\$ 290.00 Set
	(Includes 42-3A&B, 8, 10A&B, 12D, 14)			
42-98	Soft Top Weatherstrip Set (10 Pc) (15C, 16A&B, 17, 18A&B, 19A, 20A&B)	63-7		\$ 255.00 Set
42-99	Hardtop Weatherstrip Set (9 Pc) 42-22, 23A, 23B, 45A&B, 46A&B, 49A&B)	63-7		\$ 375.00 set
45-18	YELLOW weatherstrip adhesive (tube)			\$ 12.00

> All rubber pieces are USA (Corvette Rubber Brand)



Section #43 Wire Harnesses Wiring Diagrams Battery Cables Flashers Fuses Wire S-Clips Interior Bulbs (all wiring/electrical =no returns/manuf policy)

LECTRIC LIMITED RAISED PRICING 4/2020

Sec- Part#	Name	Year	#Need/Car	Price Inc
<b>Under Dash Main:</b> (\$ reduced 4-2-2019)				
43-01A	Under Dash Main Harness (63 with B/U Lights) *drop ships	63	1	\$ 495.00 *
43-01B	Under Dash Main Harness (64 with B/U Lights) *drop ships	64	1	\$ 495.00 *
43-01C	Under Dash Main Harness (65 with B/U Lights)	65	1	\$ 495.00
43-01C6	Under Dash Main Harness (66 all) *drop ships	66	1	\$ 495.00 *
43-01D	Under Dash Main Harness (67 all) *drop ships	67	1	\$ 495.00 *
43-01E	Under Dash Main Harness (63 NO B/U Lights) *drop ships	63	1	\$ 495.00 *
43-01F	Under Dash Main Harness (64 NO B/U Lights) *drop ships	64	1	\$ 495.00 *
43-01G	Under Dash Main Harness (65 NO B/U Lights)	65	1	\$ 495.00
<b>Starter - Ignition - Headlight</b>				
43-02R	Starter/Ignition Harness 63 NO A/C (4spd & auto)	63	1	179.00
43-02D	Starter/Ignition Harness 63 A/C (in Place Of 2R)	63	1	208.00
43-02A	Starter/Ignition Harness, 64-65 327 (NO A/C)	64-5	1	189.00
43-02B	Starter/Ignition Harness +solenoid Lead (FI) *drop ships	64-5	1	195.00 *
43-02C	Starter/Ignition Harness (396) *drop ships	65	1	189.00
43-02E	Starter/Ignition Harness 64-5 A/C(In place of 43-02A)	64-5	1	230.00 *DROPSHIP
43-02U	Headlight Main Harness (1963)	63	1	\$ 179.00
43-02F	Headlamp- Main Harness 64-65	64-5	1	178.00
43-02G	Starter/Ignition & Headlamp Main Harness (66)	66	1	360.00
43-02H	Starter/Ignition & Headlamp Main Harness (67)	67	1	370.00
43-02I	Air Cond Harness 67 ... (use With 43-02H)	67	1	134.00
43-02J	Headlamp Extensions (pr W Gmt (63E Fibergl bucket)	63	1 PR	65.00 Pair
43-02K	Headlamp Extensions (pr)(use With 2F,2G,2H)(Metal bckt)	64-7	1 PR	49.00 Pair
43-02M	A/C Dash Lamp Harness (use With 43-01b,c,d,f,g)	64-7	1	\$ 25.00
43-02N	A/C Compressor Ground Wire	64-7	1	14.00
43-02O	A/C Compressor Ground Wire	63	1	15.00
43-02P	Voltage Regulator Ground Wire	64-5	1	15.00
43-02Q	Air Cond Harness 66, (use With 2G) * drop ship	66	1	134.00 <
43-02S	Fuel Injection Solenoid Lead (in Set 43-02B)	64-5	1	15.00
43-02T	Horn Ground Wire With A/C- To Rad Supt (with Scr	66-7	1	15.00
43-03A	Transistor Ignition Harness 64-65	64-5	1	145.00
43-03C	Transistor Ignition Harness 66-67	66-7	1	145.00
43-03D	Engine Harness Voltage Reg Adapter (65 TI no a/c) x	65	1	n/a
43-03E	TI Harness Cloth Friction Tape (60' Roll)	64-7	1	15.00
43-04A	Power Window Harness	63-6	1	\$ 140.00
43-04B	Power Window Harness	67	1	150.00
43-05A	Buzzer Tach Harness	63	1	n/a
43-05B	67 Speedwarning Harness	67	1	n/a
43-05C	Wire S-clips For Speed Warning Harness (pr)	67	1 PR	2.75 Pair
43-05D	Speed Warning Buzzer Screws (pr)	67	1 PR	1.50 Pair
<b>Spark Plug Wires - UNDATED - see 43-13 14 15 16 for dated wires &gt;&gt;</b>				
43-06A	Spark Plug Wire Set 327 carb (K&B brand)	63-7	1	\$ 40.00
43-06B	Spark Plug Wire Set 65-66 396/427 (Clips)*SEE DATED >	65-6	1	>
43-06C	Spark Plug Wire Set 67 427 (with Loops) no date	67	1	145.00
43-06D	90 Degree Nipples & Terminals For FI Ignition	63-5	1 SET	15.00 Set
<b>Rear Harness</b>				
43-07A	Rear Harness- 63 NO Back Up Lamps	63	1	\$ 227.00
43-07B	Rear Harness, 63 With Back Up Lamps	63	1	227.00
43-07C	Rear Harness, 64 Coupe no Back Up Lamps	64	1	227.00
43-07D	Rear Harness, 64 Coupe With Back Up Lamps	64	1	227.00
43-07E	Rear Harness, 64 Roadster no Back Up Lamps *DROP SHIP	64	1	227.00
43-07F	Rear Harness, 64 Roadster With Back Up Lamps	64	1	227.00
43-07G	Rear Harness, 65 Coupe no Back Up Lamps	65	1	227.00
43-07H	Rear Harness, 65 Coupe With Back Up Lamps	65	1	227.00
43-07I	Rear Harness, 65 Roadster no Back Up Lamps	65	1	227.00
43-07J	Rear Harness, 65 Roadster With Back Up Lamps	65	1	227.00
43-07K	Rear Harness- 66 All	66	1	227.00
43-07L	Rear Harness- 67 All	67	1	227.00
<b>Spring Ring Battery Cables</b>				
43-08A	Spring Ring Battery Cables 63-65 327 (no a/c)	63-5	1 PR	\$ 110.00 Pair
43-08B	Spring Ring Bat Cables 63 A/C (with Braided Neg)	63	1 PR	110.00 Pair
43-08C	Spring Ring Battery Cables 64-65 327 A/C	64-5	1 PR	110.00 Pair
43-08D	Spring Ring Battery Cables 396	65	1 PR	110.00 Pair
43-08E	Spring Ring Cables 66-67 327 A/C & 427 A/C	66-7	1 PR	110.00 Pair
43-08F	Spring Ring Battery Cables 66-67 327 (no a/c)	66-7	1 PR	110.00 Pair
43-08G	Spring Ring Battery Cables 427 (no a/c)	66-7	1 PR	110.00 Pair

(ALL wiring and battery cables = Lectric Ltd / EXCEPT 43-12 & 43-06a)

Sec- Part#	Name	Year	#Need/Car	Price Inc
<b>43-09</b>	<b>Wire Harness Wrap (smooth With No Glue)(1-1/4")</b>	63-7	1	<b>\$ 10.00</b>
43-10A	36 Gallon Fuel Tank Sender Harness,1963 X	63	1	N/A
43-10B	36 Gallon Fuel Tank Sender Harness (to Feb 65)x	64-5E	1	n/a
43-10C	36 Gallon Fuel Tank Sender Harness (from Feb 65)	65L-7	1	N/A
43-11A	<b>Laminated Wiring Diagram- 63</b>	63	1	15.00
43-11B	Laminated Wiring Diagram- 64	64	1	15.00
43-11C	Laminated Wiring Diagram- 65	65	1	15.00
43-11D	Laminated Wiring Diagram- 66	66	1	15.00
43-11E	Laminated Wiring Diagram- 67	67	1	15.00
43-12A	<b>Speaker Wire, Plug &amp; Terminal Set</b>	63-7	1 SET	14.00 Set
43-12B	<b>Speaker Plug &amp; Terminal Set</b>	63-7	1 SET	5.00 Set
<b>43-13 Plug Wires- 327 Carb (dated) Lectric Limited no returns</b>				
43-13A	Spark Plug Wires- 327 Carb (62 3rd Quarter)	63E	1 SET	\$ 79.00 Set
43-13B	Spark Plug Wires- 327 Carb (63 1st Quarter)	63L	1 SET	79.00 Set
43-13C	Spark Plug Wires- 327 Carb (63 3rd Quarter)	64E	1 SET	79.00 Set
43-13D	Spark Plug Wires- 327 Carb (64 1st Quarter)	64L	1 SET	79.00 Set
43-13E	Spark Plug Wires- 327 Carb (64 3rd Quarter)	65E	1 SET	79.00 Set
43-13F	Spark Plug Wires- 327 Carb (65 1st Quarter)	65L	1 SET	79.00 Set
43-13G	Spark Plug Wires- 327 Carb (65 3rd Quarter)	66E	1 SET	79.00 Set
43-13H	Spark Plug Wires- 327 Carb (66 1st Quarter)	66L	1 SET	79.00 Set
43-13J	Spark Plug Wires- 327 Carb (66 3rd Quarter)	67E	1 SET	79.00 Set
43-13K	Spark Plug Wires- 327 Carb (67 1st Quarter)	67L	1 SET	79.00 Set
<b>43-14 Spark Plug Wires- FI Dated dated) Lectric Limited no returns</b>				
43-14A	Spark Plug Wires- 327 FI (62 3rd Quarter)	63E	1 SET	\$ 95.00 Set
43-14B	Spark Plug Wires- 327 FI (63 1st Quarter) DROP SHIP	63L	1 SET	95.00 Set
43-14C	Spark Plug Wires- 327 FI (63 3rd Quarter) DROP SHIP	64E	1 SET	95.00DROP
43-14D	Spark Plug Wires- 327 FI (64 1st Quarter) DROP SHIP	64L	1 SET	95.00 Set
43-14E	Spark Plug Wires- 327 FI (64 3rd Quarter) DROP SHIP	65E	1 SET	95.00 Set
43-14F	Spark Plug Wires- 327 FI (65 1st Quarter) DROP SHIP	65L	1 SET	95.00 DROP
<b>43-15 Plug Wires- 396/427 No Radio (dated) Lectric Limited no returns</b>				
43-15A	Spark Plug Wires- 396 No Radio (65 1st Quarter)	65L	1 SET	79.00 Set
43-15B	Spark Plug Wires- 427 No Radio (65 3rd Quarter)	66E	1 SET	79.00 Set
43-15C	xSpark Plug Wires- 427 No Radio (66 1st Quarter) DROPSHIP	66L	1 SET	79.00 Set
43-15D	Spark Plug Wires- 427 No Radio (66 3rd Quarter)	67E	1 SET	79.00 Set
43-15E	xSpark Plug Wires- 427 No Radio (67 1st Quarter) DROPSHIP	67L	1 SET	79.00 Set
<b>43-16 Plug Wires- 396/427 With Radio Radio (dated) Lectric Limited no returns</b>				
43-16A	Spark Plug Wires- 396 Radio (65 1st Quarter)	65L	1 SET	177.00 Set
43-16B	Spark Plug Wires- 427 Radio (65 3rd Quarter)	66E	1 SET	177.00 Set
43-16C	Spark Plug Wires- 427 Radio (66 1st Quarter)	66L	1 SET	177.00 Set
43-16D	Spark Plug Wires- 427 Radio (66 3rd Quarter)	67E	1 SET	177.00 Set
43-16E	Spark Plug Wires- 427 Radio (67 1st Quarter)	67L	1 SET	177.00 Set
<b>43-17 &gt;T3 Headlight Bulbs &gt; see Section 04 #04-21L</b>				
43-17A	<b>Light Bulb Kit- All Interior Bulbs (23 Pc)</b>	63	1 SET	24.00 Set
43-17B	Light Bulb Kit- All Interior Bulbs (26 Pc)	64	1 SET	24.00 Set
43-17C	Light Bulb Kit- All Interior Bulbs (26 Pc)	65-6	1 SET	24.00 Set
43-17E	Light Bulb Kit- All Interior Bulbs (26 Pc)	67	1 SET	24.00 Set
<b>43-18 Fuse Kits- kits with color stripes (o.e.m.) (4A pink is now plain&lt;)</b>				
43-18A	63 Fuse Set (OEM With Color Stripes)(8 Pc)	63	1 SET	15.00 Set
43-18B	64 Fuse Set (OEM With Color Stripes)(8 Pc)	64	1 SET	15.00 Set
43-18C	65 Fuse Set (OEM With Color Stripes)(8 Pc)	65	1 SET	15.00 Set
43-18D	66 Fuse Set (OEM With Color Stripes)(8 Pc)	66	1 SET	15.00 Set
43-18E	67 Fuse Set (OEM With Color Stripes)(8 Pc)	67	1 SET	15.00 Set
<b>43-19 Directional Flashers DOT/is replacement NOS = new old stock repl = replacement</b>				
43-19A	x Directional Flasher (no Bu Lights)(TS AP373)	63	1	N/A
43-19B	X Directional. Flasher (with BU Lights)(SS 142 RECTANGL	63	1	N/A
43-19BR	Direct. Flasher (with BU Lights) REPLACMNT/ROUND	63	1	25.00
43-19C	Direct Flasher (No BU)(TS323 Yellow Metal)(NOS)(painted)	64-5	1	30.00
43-19CR	Direct Flasher (No Bu Lights)(TS323 Yellow Metal)(DOT)	64-5	1	7.50
43-19D	X DirectFlasher (with Bu Lights)(TS224 Blue Metal) NOS (NO DOT)	64-5	1	N/A
43-19E	Direct Flasher(TS224 Blue Plastic ,No Dot) nos/painted	66	1	20.00
43-19F	x 4 Way Flasher (170 Rectangle)	66	1	N/A
43-19FR	x 4-way Hazard Flasher (replacement)	66	1	n/a
43-19G	Direction Flasher (TS323 Yellow Plastic)(No Dot)painted	67	1	29.00
43-19HR	x 4-way Hazard Flasher (replacement for TS552)	67	1	n/a
<b>43-20A</b>	<b>Wire S-clip Set (6 Sm, 5 Lg)</b>	63-5	1 SET	<b>20.00</b> Set
<b>43-20B</b>	<b>Wire S-clip Set (3 Sm, 6 Lg)</b>	66-7	1 SET	<b>20.00</b> Set

Interior Bulb kits  
Fuse kits  
Flashers  
wire clips



## Section 44 Molding Screws & Interior Screw Sets

Sect-part	Name	Year	#need	price	
44-01	Coupe Rear Window & Door Molding Screws (30 Pc)	63	1 SET	7.00	Set
44-02	Coupe Rear Window Molding Screws (18 Pc)	64-7	1 SET	5.00	Set
44-03	Coupe Over Door Weatherstrip Screws (14 Pc)	63	1 SET	11.00	Set
44-04	Coupe Over Door Weatherstrip Screws (14 Pc)	64-7	1 SET	11.00	Set
44-05	Coupe Halo Panel Screw Set (6 Screws & Washers)	63-7	1 SET	4.00	Set
44-06	Interior windshield molding Screws (18 Pc)(C & R)	63-7	1 SET	5.00	Set
44-07	Hardtop Interior Molding Screws (23 Pc)	63-7	1 SET	6.00	Set

Most of these items are in other sections too – all correct type screws (not! ss)

44-08A	63-64 Arm Rest Screw Set (4 Pc) (=09-22A)	63-4	1 SET	5.00	Set
44-09	Arm Rest Screw Set (4 Screws & Washers)(=09-22B)	65-7	1 SET	4.50	Set
44-10	1965 Door Pull Black Screw Set (4 Pc) (Black)(=09-25)	65	1 SET	3.00	Set
44-11	66-67 Door Pull Chrome Screw Set (4 Pc)(chrome)	66-7	1 SET	3.00	Set
44-12	Radio Side Panel Screw Set (4 Pc) (=12-32)	63-7	1 SET	4.00	Set
44-13A	Kick Panel Screw Set (14 Pc) (=12-33A)	63-4	1 SET	15.00	Set
44-13B	Kick Panel Screw Set (set Of 12)	65-6	1 SET	14.00	Set
44-13C	Kick Panel Screw Set (set Of 12)	67	1 SET	13.00	Set
44-15	Accelerator Pedal Screws (pr) (=28-40)	63-7	1 SET	2.00	Set
44-16	Grab Bar Insert Screws (4 Pc) (=13-18A)	63-4	1 SET	1.00	Set
44-17	Grab Bar Insert Screws (6 Pc) (=13-18B)	64-6	1 SET	1.50	Set
44-18	Seat Belt Bracket Screws (pr) (=15-15A)	65-6	1 SET	1.00	Set
44-19	Seat Side Rail Screws (12 Pc) (=16-03)	63-7	1 SET	11.50	Set
44-20	Seat Lower Pivot Screws (4 Pc) (=16-01)	63-7	1 SET	12.50	Set
44-21	Door Sill Plate Screws (8 Pc) (=14-02A)	63-4	1 SET	4.00	Set
44-22	Door Sill Plate Screws (12 Pc) (=14-02B)	65-7	1 SET	6.00	Set
44-23	Dash Cluster Screw Set (5 Pc) (=12-06)	63-7	1 SET	5.75	Set
44-24	Gb Door Lower Hinge & Support Screws (7 Pc)	63-7	1 SET	4.75	Set
44-25A	Glove Box Door To Hinge Screws (3 Pc)	63	1 SET	2.25	Set
44-25B	Glove Box Door To Hinge Screws (3 Pc)	64-7	1 SET	2.25	Set
44-26	Glove Box Frame Screws (6 Pc) (=13-03)	63-7	1 SET	9.00	Set
44-27	Glove Box Striker Screws (pr) (=13-07)	63-7	1 SET	1.50	Set
44-28	Glove Box Hinge Spring Screw (=13-09B)	63-7	1	0.75	
44-29	Glove Box Liner Screw Set (9 Pc) (=13-05A)	63-7	1 SET	4.50	Set
44-30	Interior Mirror Bracket screws to Windshld Mldg (pr)(10-11)	63-7	1 SET	1.00	Set
44-31	Visor Support To Windshield Frame Screws (4 Pc)	63-7	1 SET	2.00	Set
44-32	Visor Screw And Nut (through Visor)(4 Pr) (SS)(=10-15)	63-7	1 SET	15.00	Set
44-33	Seat Mounting Screw Set (12 Pc) (=16-12A)	63-6	1 SET	11.00	Set
44-34	Seat Mounting Screw Set (8 Pc) (=16-12B)	67	1 SET	7.50	Set
44-35	Seat Bumper Screws (4 Pc) (16-08B)	64-7	1 SET	2.00	Set
44-36	Seat Adjusting Screw, Washer, Nut Set (4 Each)	63-6	1 SET	11.00	Set
44-37	Convert Top Front Pin Screws (pr) (=19-04A)	63-7	1 SET	2.00	Set
44-38	Hardtop Front Pin Screws (pr) (=19-04B)	63-7	1 SET	1.50	Set
44-39	Soft Top Rear Pin Screw Set (4 Pc) (=19-09)	63-7	1 SET	3.00	Set
44-40	Roadster Top Latch Screws (4 Pc) (=19-02)	63-7	1 SET	6.00	Set
44-41	Roadster Top Striker Screws (4 Pc) (=19-07)	63-7	1 SET	6.00	Set
44-42A3	Roadster Rear Quarter Panel Trim Screws (6 Pc) (=19-62A)	63-4	1 SET	6.00	Set
44-42A5	Roadster Rear Quarter Panel Screw Set (8 Pc) (=19-62B)	65-7	1 SET	6.00	Set
44-42B	Coupe Rear Quarter Panel Screw Set (8 Pc) (=19-66A)	63-7	1 SET	5.00	Set
44-43	Console Trim Screws Set (17 Pc)(15-04A)	63	1 SET	5.00	Set
44-44	Console Trim Screws Set (8 Pc) (15-04B)	64-7	1 SET	3.00	Set
44-45	Door Panel Screw Set (20 Pc) (09-64A)	63-4	1 SET	7.50	Set
44-46	Door Panel Washer Set (set Of 20) (09-64B)	63-4	1 SET	5.00	Set
44-47	Door Panel Screw Set (2 Screws & 2 Washers)(09-65)	67	1 SET	1.25	Set
44-48	63C Side Windshield Trim Screws(in Door Jamb)(8)(#57-25)	63		6.00	set

Except the #1-7; YES > Most of these screw sets are listed in other sections

## Section 45 Paint & Interior Dye

Sect-part	Name	Year	#need	price	
45-01	Cast Blast Spray- For The Look Of Cast Iron _____ (used On: Rr End, Frt Spindles, Cast Iron Parts)			\$ 9.00	Can
45-07	Exhaust Pipe And Muffler High Temp Alum Spray _____			15.00	Can
45-09B	Simichrome Polish- Can (8.82 Oz.) _____ Simichrome Polish- Excellent For:plastic Lenses, Hardtop Rear Windows & Aluminum Wheels			31.00	Can
45-16	Gloss Black Spray- A/CL Base, Breather Tube, Etc _____			\$ 9.00	Can
45-18	Yellow Weatherstrip Adhesive- Tube _____			15.00	Tube
45-26	Clear Gloss Lacquer Spray- Refinish Teak Wheels _____	65-6		9.00	Can
45-28	x Clear Engine Enamel (for Unfinished Steel Surfaces) _____ > Drive Shaft, Axles, steering Shaft, etc)				n/a
45-33	High Temp Semi-flat Black Spray (Exh Heat Shield _____)			15.00	Can
45-34	Release Agent- (softens Weatherstrip Adhesive To _____ Remove Old Weatherstrips Safely)			18.00	Can
45-35	Undercoating Spray (for Upper Wheel Wells)(18 Oz) _____			15.00	Can
45-36	Black Strip Caulking (60 Pc 1 Ft Long) _____ Used On Many Screws To Waterproof,on WW Pivots On WW Cowl Seams, On Door Mechanisms			\$ 28.00	
45-02	X Dull Aluminum Spray- 63-4 Dash, 63-4 Frosted Hub Caps, 66-7 Grill			<del>DISCONTINUED</del>	
45-03	X Ralley Wheel Spray Paint (67) _____				N/A
45-04	Shock Absorber Gray Spray- Original Shock Color _____	64-7			n/a
45-05	X Chevy Orange Engine Enamel Spray X _____				N/A
45-06	x High Temperature Gray Exhaust Spray Primer ( get hi temp stove primer any hardware)x				
45-11	X Rear Spring Gray Spray _____	63-7			N/A
45-15	X Zinc Phosphate Primer Spray -green (brake Line Clips, Under Dash Etc)				N/A
45-19	x Spray Contact Adhesive (vinyl,leather Or carpet) 3M#08088				N/A
45-13	x Semi-gloss Black Spray - (used On Engine Comp Alt Bkts, Starter Motor, Dash Cluster				N/A
45-20	x Aluminum Blast Spray X NO MORE _____				N/A
45-21	X Stainless Steel Spray (Driveshaft, Axles) X _____				N/A
45-24	X Cast Blast 1200 Spray (High Temp For Exh Manifolds _____ - For Best Results Use Over Hi-temp Primer (#45-06)				N/A
45-25	X 65-6 Hub Cap & 65-7 Aluminum Wheel Spray Paint (Dark Gray Color)				N/A
45-28	x Clear Engine Enamel (for Unfinished Steel Surfaces) Drive Shaft, Axles, steering Shaft,n/a				
45-37	Spray Primer (gray) X _____				N/A

### Spray Dye For Vinyl,leather, fiberglass, & Metal)

(use a primer On Fiberglass Or Metal & use A cleaner on Vinyl or Leather)

45-50C	Saddle Spray Dye _____	63-4		19.00	Can
45-50E	Silver Spray Dye _____	64-6		19.00	Can
45-50G	Red Spray Dye _____	65-7		19.00	Can
45-50J	Maroon Spray Dye _____	65		19.00	Can
45-50K	Green Spray Dye _____	65-7		19.00	Each
45-50P	Dark Saddle Spray Dye _____	67		19.00	Can
45-50Q	Teal Blue Spray Dye (1967 Trim Code #418/419) _____	67		19.00	Can

X 45-50A	Black Spray Dye _____	63-7			n/a
X 45-50B	Red Spray Dye _____	63-4			
X 45-50D	Dark Blue Spray Dye x _____	63-4			
X 45-50F	White Spray Dye _____	64-7			n/a
X 45-50H	Bright Blue Spray Dye (trim Code #414/415,450) _____	65-7			N/A
X45-50L	x Saddle (light tan) Spray Dye x no more _____	65-6			N/A
X 45-50N	X Dark Blue Spray Dye (1966 Rpo #418) X no more _____	66			N/A
X45-50Z	Vinyl Prep & Cleaner (4 oz concentrate) x buy on Amazon/or local stores	63-7			n/a

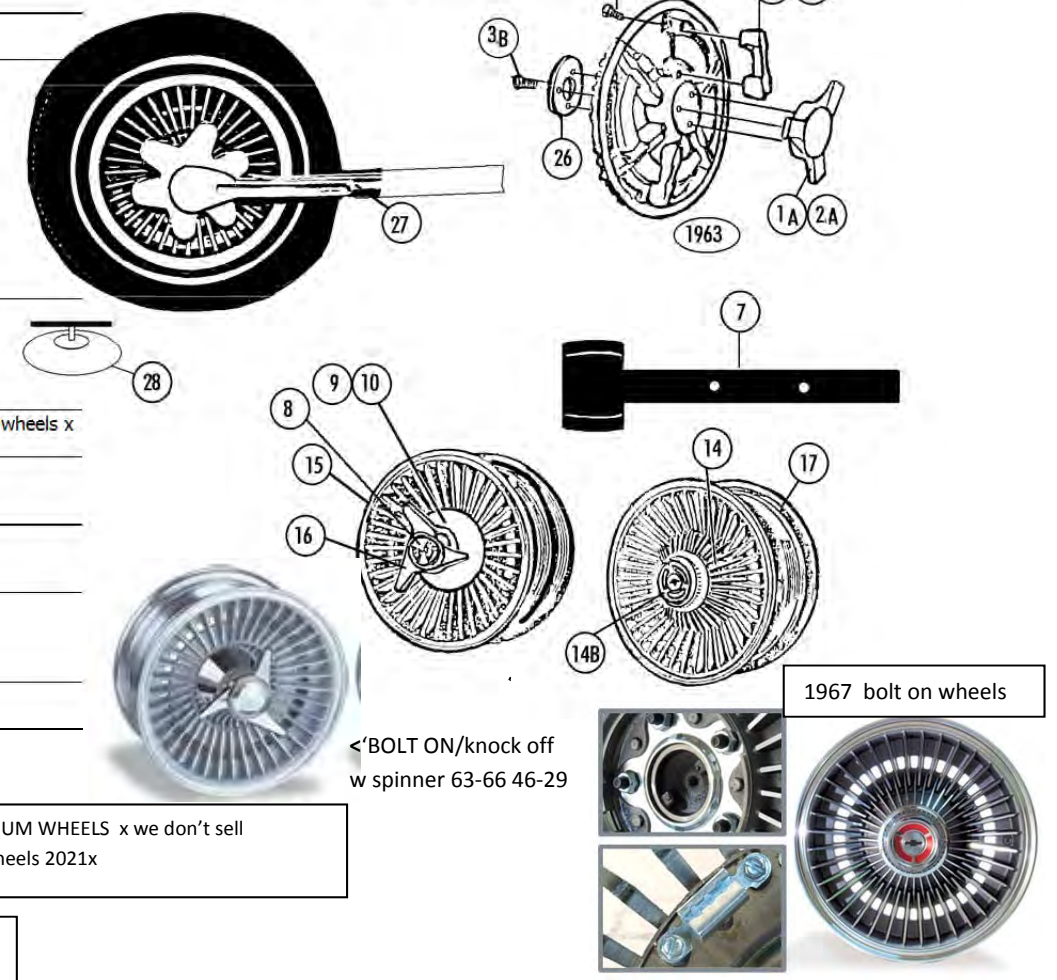
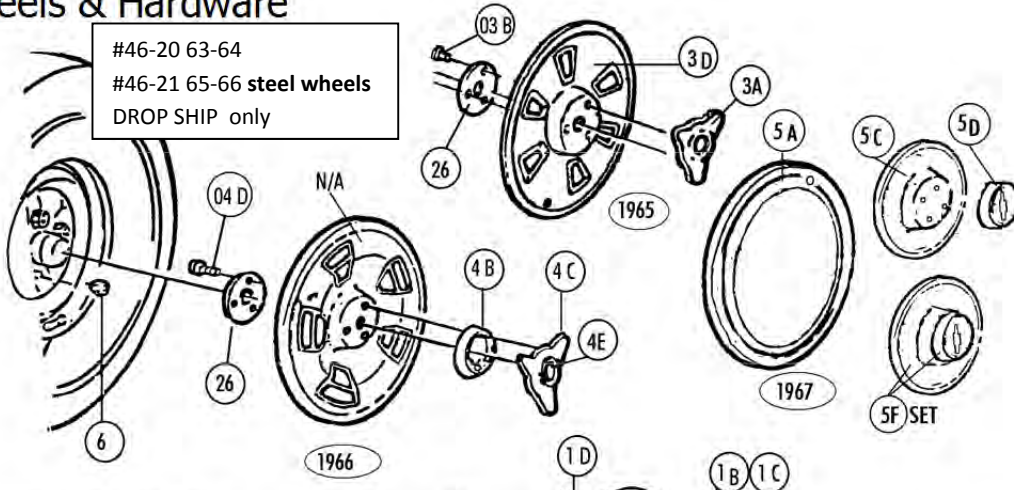
paint Cannot Ship By Air Nor Out Of Country (no PR, no Canada)

(we are selling off paint/dye – no more when gone - they keep raising prices, not profitable item)



# Section 46 Hubcaps- Spinners - Lug Nuts- Aluminum Wheels & Hardware

Sec-part	Name	Year	#need/car	price	
46-01A	63 Hub Cap SPINNER	63	4	\$ 45.00	Each
46-01B	63 Wheel Cover TRIM BAR (1 Bar + 2 Screws) **SEE SET46-01C	63	4	155.00	Set6
46-01C	63 Wheel Cover TRIM BAR (1 Wheel Set/6 Bars/12screw	63	4 SET	6.00	Set
46-01D	Wheel Cover Trim Bar Screws (12)	63	4	45.00	Each
46-02A	64 Hub Cap SPINNER	64	4	52.00	Each
46-03A	65 Hub Cap Spinner (with Emblem)	65	4	6.00	Set
46-03B	Hub Cap Spinner SCREWS (12 Pc)	63or5	1 SET	8.00	Set
46-03C	Hub Cap Spinner SCREWS (16 Pc)	64	1 SET		
46-03DS	X65 Wheel Cover With Spinner (SET OF 4) ( hub caps) x	65	1 set		not avail
46-04B	66 Hub Cap Spinner SPACER (1)	66	4	31.00	Each
46-04C	66 Hub Cap Spinner (with Emblem)	66	4	52.00	Each
46-04D	Hub Cap Spinner SCREWS (12 Pc)	66	1 SET	6.00	Set
46-04E	Hub Cap Emblem (for Spinner- White LH Corner)	65-6	4	16.00	Each
46-04F	Hub Cap Emblem (for Spinner- Black LH Corner)	65-6	4	16.00	Each
46-05B	X Trim Rings. not avail	67	4		N/A
46-05E	Ralley Wheel Center Cap Screw (16) orig/NOS (for orig only)	67	1 SET	\$ 35.00	Set
46-05F	X Ralley Wheel Center Cap & Emblem Set(ss)(4 Each)	67	1 SET		N/A
46-06A	Lug Nuts For Steel Wheels (20 Pc) & 67 Bolt On	63-7	1 SET	16.00	SET
46-06B	x Lug Nut (1) For Knock Off & Bolt On/KO Wheels SEE SET 6C	63-6	20		X
46-06C	>Lug Nut Set (20) Knock Off & 63-66 BO/KO On Wheels	63-6	1 SET	48.00	Set
46-07A	Knock Off Wheel Lead Hammer (welded Head)	63-4	1	50.00	
46-07B	Knock Off Wheel Lead Hammer (orig Style-no Weld)	65-6	1	50.00	
46-08A	K/O Wheel Center Cap (s.s./decal Colors) (1)	63-6	4	20.00	Each
46-09	Knock Off Wheel Polished Cones (S.S.)	63-5	5	37.00	Each
46-10	Knock Off Wheel Brushed Chrome Cones (s.s.)	66	5	37.00	Each
46-11A	Bolt On Cap Retaining Ring (.86ht) For Orig & new	67	5	36.00	Each
46-11B	Bolt On Retaining Ring Screws (25 Pc)	67	1 SET	18.75	Set
46-11C	BO Cap Retaining Ring (for Old Repro (<9/09) (.65)	67	5	34.00	Each
46-12	Retaining CLIP (1) for Bolt On Cap	67	16	4.50	Each
46-13	SCREWS (32) for Bolt On Cap Clip	67	1 SET	8.00	Set
46-14A	Starburst Only (1) (For Bolt On Wheels)	67	4	99.00	Each
46-14B	Center Red Cap (import) (for Bolt on Wheel)(1)	67	4	50.00	Each
46-14C	Bolt On Red Cap To Starburst Screws (16 Pcs)	67	1	4.00	
46-16C	Aluminum Pins For Ko Wheels (5 Pc)	63-6	1 SET	8.00	Set
46-16D	Knock Off Wheel Spinner (LH) CHECK ONLINE IF AVAIL.	63-6	2		Each
46-16E	Knock Off Wheel Spinner (RH) CHECK ONLINE IF AVAIL.	63-6	2		Each
46-16F	Knock Off Wheel Adapter (LH)	63-6	2	89.00	Each
46-16G	x Knock Off Wheel Adapter (RH)	63-6	2		x
46-17	x Bolt On Wheel Set (caps,starburst + Hardware Set)	67	1 SET		x we don't sell alum wheels x
46-18	x Bolt On Wheel (spare)	67	1		
46-19	x Steel Wheel (15 X 5.5) x WE DON'T SELL	63-4	5		X
46-20	x Steel Wheel (15 X 5.5) x WE DON'T SELL	65-6	5		X
46-21	Steel Ralley Wheel (15 X 6)	67	5		N/A
46-22A	Tire Valves & Caps (5 Pc) (OEM/Dill) (1-3/8")	63-7	1 SET	11.00	Set
46-22B	Tire Valves & Caps (5 Pc)(65-66 Hub Caps)(OEM)2"	65-6	1 SET	11.00	Set
46-23	Tire Valve Caps (5 Pc) (YES DILL 627) (OEM)	63-7	1 SET	4.00	Set
46-26A	Hubcap Spinner Reinforcement	63	4	7.75	Each
46-26B	Hubcap Spinner Reinforcement	64	4	7.75	Each
46-26C	Hubcap Spinner Reinforcement	65	4	7.75	Each
46-26D	Hubcap Spinner Reinforcement	66	4	7.75	Each
46-27	Knock Off Wheel Spinner Wrench (3 Pc Asm) x	63-6	1		n/a
46-28	Knock Off Spinner Center Cap Puller	63-6	1	18.00	
x we don't sell alum wheels x					
Direct Bolt On /without adapters/ direct Bolt on 'knock offs' (BOKO) 4 wheels & hardware set – no hammer					
>Bolt ON "without adapters" – look like real KO's with the safety of a bolt on style/ photos online.					
46-29A	xDirect Bolt On "Knock Off" Wheel Set	63-4	SET	\$	
46-29B	xDirect Bolt On "Knock Off" Wheel Set	65	SET		
46-29C	xDirect Bolt On "Knock Off" Wheel Set	66	SET		
46-29D	xDirect Bolt Knockoff Spare (1)	63-4	1		
46-29E	x Direct Bolt Knockoff Spare (1)	65-6	1		



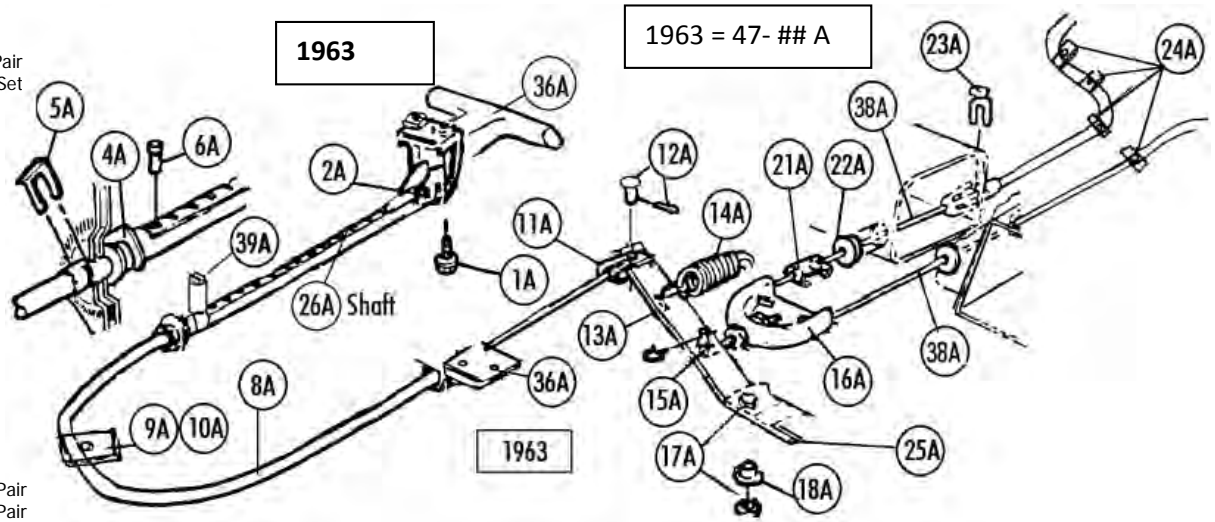
ALUMINUM WHEELS x we don't sell  
Alum wheels 2021x

X 2021 we don't sell steel wheels or aluminum wheels.  
see listings for I hardware, adapters, spinners etc usually in stock. <

<'BOLT ON/knock off w spinner 63-66 46-29

## Section 47 Parking Brake Hardware, Cables ...

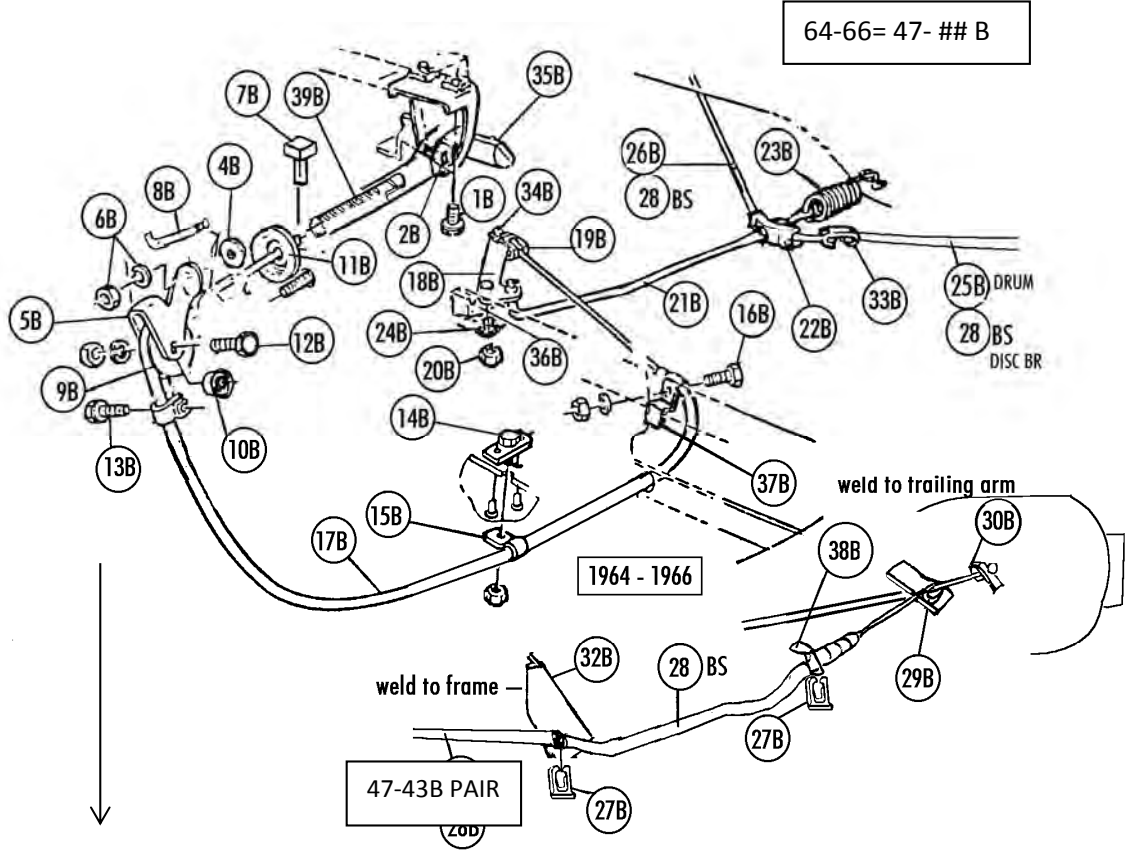
Sec-Part	Name	1963	Year	#need/car	Price
47-01A	Parking Brake Handle Mounting Bolts (1 Pr)	63	1 PR		\$ 2.00 Pair
47-02A	Handle Spring & Pawl Set	63	1 SET		25.00 Set
47-04A	Cable Retainer Clip (inside firewall)	63	1		3.50
47-05A	Cable Retainer Clip (outside firewall)	63	1		4.00
47-06A	Handle Stop Pin	63	1		5.00
47-08A	<b>Parking Brake Front Cable</b> (usa)	63	1		\$ 60.00
47-09A	Cable Clamp	63	1		2.00
47-10A	Nut (for cable clamp)	63	1		0.25
47-11A	Clevis & Clevis Pin (12A)	63	1		9.50
47-12A	Clevis Pin & Cotter Pin (1 + 1)	63	1		2.00
47-13A	Parking Brake Lever	63	1		20.00
47-14A	Parking Brake Lever Spring	63	1		5.00
47-15A	J-bolt, Nuts & Clip	63	1		14.00
47-16A	Equalizer, rear park brake cable	63	1		30.00
47-17A	Bolt, Washer & Special Nut (for Lever Bracket)	63	1		1.50
47-18A	Lever Bushing	63	1		4.00
47-19A	Rear Cable LH (Metal Casing) > see 47-38A FOR PAIR	63	1		
47-20A	Rear Cable RH (Metal Casing) > see 47-38A FOR PAIR	63	1		
47-21A	Cable Retainer	63	1		8.75
47-22A	Cable Grommets (replacement)(pair)	63	1 PR		2.50 Pair
47-23A	Parking Brake Retainer Clips (2)	63	1 PR		8.00 Pair
47-24A	Cable Clamps & Screws (4 Ea)	63	1 SET		26.00 Set
47-25A	P/B Lever Bracket (Weld To Frame)	63	1		15.00
47-26A	<b>1963 Parking Brake Notched Shaft</b>	63	1		\$ 49.00
47-36A	Front Cable Clamp, Reinforcement, Bolt, Rivets	63	1 SET		20.00 Set
47-37A	<b>Parking Brake Chrome Handle</b>	63	1		45.00
47-38A	<b>Rear Cables</b> (Metal Casing)(pair) (=19A/20A)(drum brk)	63	1 PR		97.00 Pair
47-39A	X Parking Brake Warning Switch & Bracket X N/A	63	1		N/A



See section 52 for 63-64 drum/park brake shoes, hardware ...

## Section 47 64-66 Parking Brake Hardware, Cables ...

Sec-Part	Name	Year	#need/car	Price
47-01B	Parking Brake Handle Mounting Bolts (pr)	64-6	1 PR	2.00 pair
47-02B	Handle Spring & Pawl Set	64-6	1	15.00
47-04B	Pulley Bracket Washers (2 Pc)	64-6	1 PR	0.50 Pair
47-05B	Pulley Bracket	64-6	1	21.00
47-06B	Bracket Nuts & Washers (2 Ea)	64-6	1 SET	0.50 Set
47-07B	Stop Pin for park brake handle	64-6	1	5.50
47-08B	Parking Brake Warning Switch	64-6	1	8.00
47-09B	Nylon Pulley	64-6	1	15.00
47-10B	Bearing For Park Brake Pulley	64-6	1	3.75
47-11B	Parking Brake Grommet (after 4/65)(replacement)	65-6	1	1.25
47-12B	Bolt, Nut, Washer For Park Brake Pulley	64-6	1	1.00
47-13B	Cable Clamp Bolt	64-6	1	1.75
47-14B	Cable T Bolt, Rivets & Nut	64-6	1	6.00
47-15B	Cable Clamp	64-6	1	1.00
47-16B	Cable Clamp Bolt, Nut & Lw	64-6	1	1.00
47-17B	<b>Parking Brake Front Cable</b>	64-6	1	49.00
47-18B	Parking Brake Lever	64-6E	1	19.00
47-18BL	Park Brake Lever 66 Late (april 66 >) 2nd Design (must Modity Emerg Brake Bracket)(w Directions)	66L	1	23.00
47-19B	Clevis + Clevis Pin & Cotter Pin (34b)	64-6	1	\$ 9.50
47-20B	Lever Bolt & Special Nut	64-6	1	1.50
47-21B	Parking Brake ROD, Clip & Nuts	64-6	1	40.00
47-22B	Equalizer (for park brake cable)	64-6	1	6.50
47-23B	Parking Brake Equalizer SPRING	64-6	1	5.00
47-24B	Lever Bushing	64-6	1	4.00
47-25B	<b>Parking Brake Cable LH</b> (64-5 Drum Brakes)	64-5	1	
47-26B	<b>Parking Brake Cable RH</b> (64-5 Drum Brakes) SEE PR	64-5	1	
47-43B	<b>Park brake Rear Cables 63-64 Drum Brakes 1PAIR</b>	64-5	1 PR	90.00 PAIR
47-27B	Cable Retainer Clips (4)	64-6	1 SET	16.00 Set
47-28BS	<b>Rear Cable (Disk Brakes)</b> s.s. casing with boots	65-6	1	\$ 45.00
47-29B	Cable Nylon Guides (pr)	65-6	1 PR	4.00 Pair
47-30B	Cable Brackets On Trailing Arm (pr)	65-6	1 PR	19.00 Pair
47-32B	Cable Brackets On Frame (weld On)(pr)	64-6	1 PR	25.00 Pair





### Section 47 64-66 Parking Brake Hardware, Cables ...

Sec-Part	Name	Year	#need/car	Price
47-33B	Cable Retainer (drum brakes)	64-5	1	8.00
47-34B	Clevis Pin & Cotter Pin	64-6	1	\$ 2.00
47-35B	Parking Brake Chrome Handle	64-6	1	45.00
47-36B	Park Brake Pivot Bracket (weld To frame)	64-6	1	15.00
47-37B	P/B Cable Clamp (weld To Frame)	64-6	1	7.50
47-38B	P/B Cable Front Bracket On Trailing Arm (weld)	65-6	1 PR	12.50 Pair
47-39B	Parking Brake Notched Shaft For Handle	64-6	1	49.00
47-40B	Pin For Parking Brake Handle	64-7	1	2.50
47-41B	P/B Rear Cable Boot (pr) (with Ribs)	65-6	1 PR	20.00 Pair
47-43B	Park brake Rear Cables 63-64 Drum Brakes 1PAIR	64-5	1 PR	90.00 PAIR



64-66 continued from above

### Section 47 1967 Parking Brake Hardware, Cables ...

Sec-Part	Name	Year	#need/car	Price
47-02C	Parking Brake Handle Mounting Bolts (4)	67	1 SET	4.00 Set
47-03C	Retainer Pin For Parking Brake Cable	67	1	2.00
47-04C	Grommet For Parking Brake Cable	67	1	5.00 Each
47-05C	White Nylon Pulley For Parking Brake	67	1	10.00
47-06C	Parking Brake Pulley Bearing	67	1	6.00
47-07C	Pulley Bolt, Washer, Nut	67	1	2.50
47-08C	<b>Front Parking Brake Cable 1967</b>	67	1	20.00
47-09C	Equalizer (for park brake cable)	67	1	6.50
47-10C	Cable Nuts (pr)	67	1 PR	0.50 Pair
47-11C	Parking Brake Spring	67	1	5.00
47-12CS	Rear Park Brake Cable (s.s. casing With Boots)	67	1	45.00
47-13C	Cable Mickey Mouse Clips (4 Pc)	67	1 SET	4.50 Set
47-14C	Cable Nylon Guides (pr)	67	1 PR	4.00 Pair
47-15C	Cable Brackets On Trailing Arm (pr)	67	1 PR	19.00 Pair
47-17C	Cable Brackets On Frame (weld On)(pr)	67	1 PR	25.00 Pair
47-18C	Parking Brake Shoes & hdware (see Sect 52)	65-7		
47-20C	Parking Brake Switch & Mounting Bolt	67	1	19.00
47-21C	Pulley Bracket (weld To Frame)	67	1	25.00
47-22C	P/B Cable Front Bracket On Trailing Arm (weld)	67	1 PR	12.50 Pair
47-23C	P/B Rear Cable Boot (pr) (with Ribs)	67	1 PR	10.00 Pair

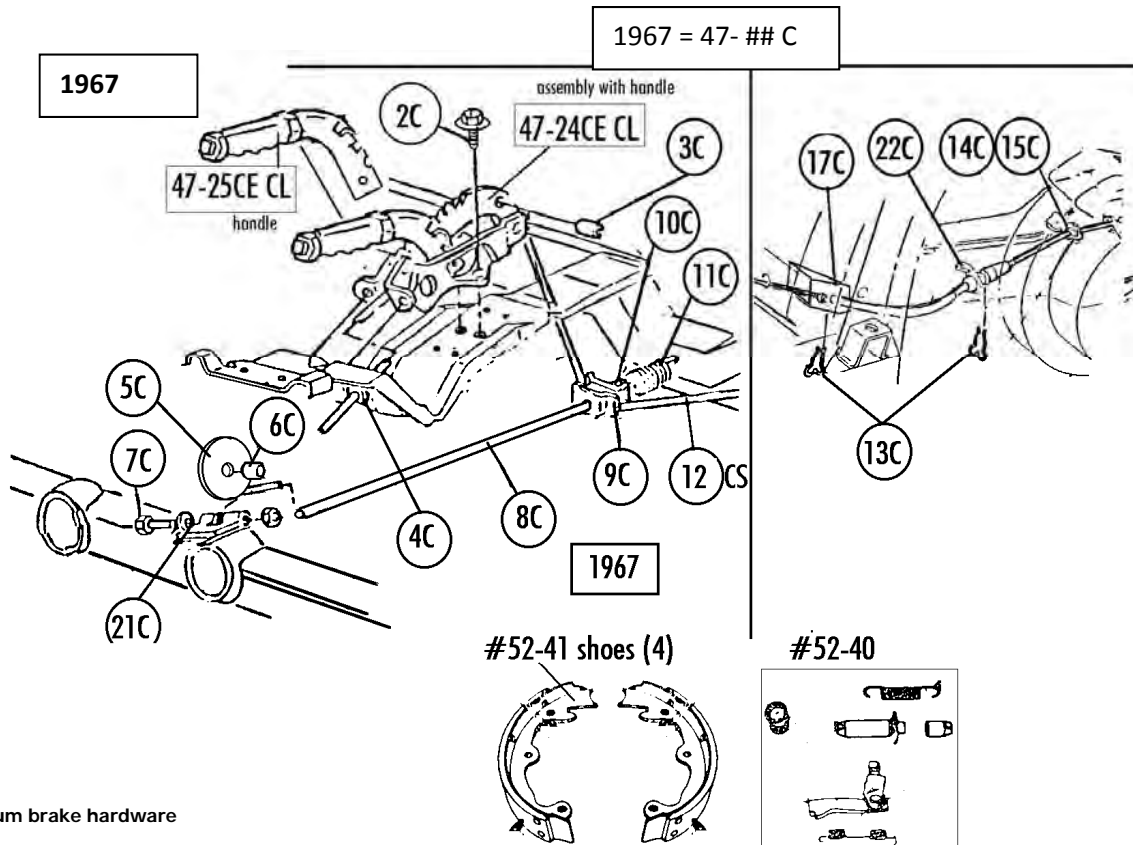
No more / discontinued: (avail elsewhere ? - we don't sell it anymore)

47-24CE	xPark brake lever ASSEMBLY -black grip	67	1		x
47-24CL	xPark Brake lever ASSEMBLY,chrome end/stripe	67L	1		x
47-25CE	Brake HANDLE with correct /all black grip 67 early (67 early = black handle Until #6000 Then Chrome End)	67E	1	\$	n/a
47-25CL	x Brake HANDLE -67Late with chrome end/stripe	67L	1		x

Also See Section 15 For 67 Brake Console and hardware.

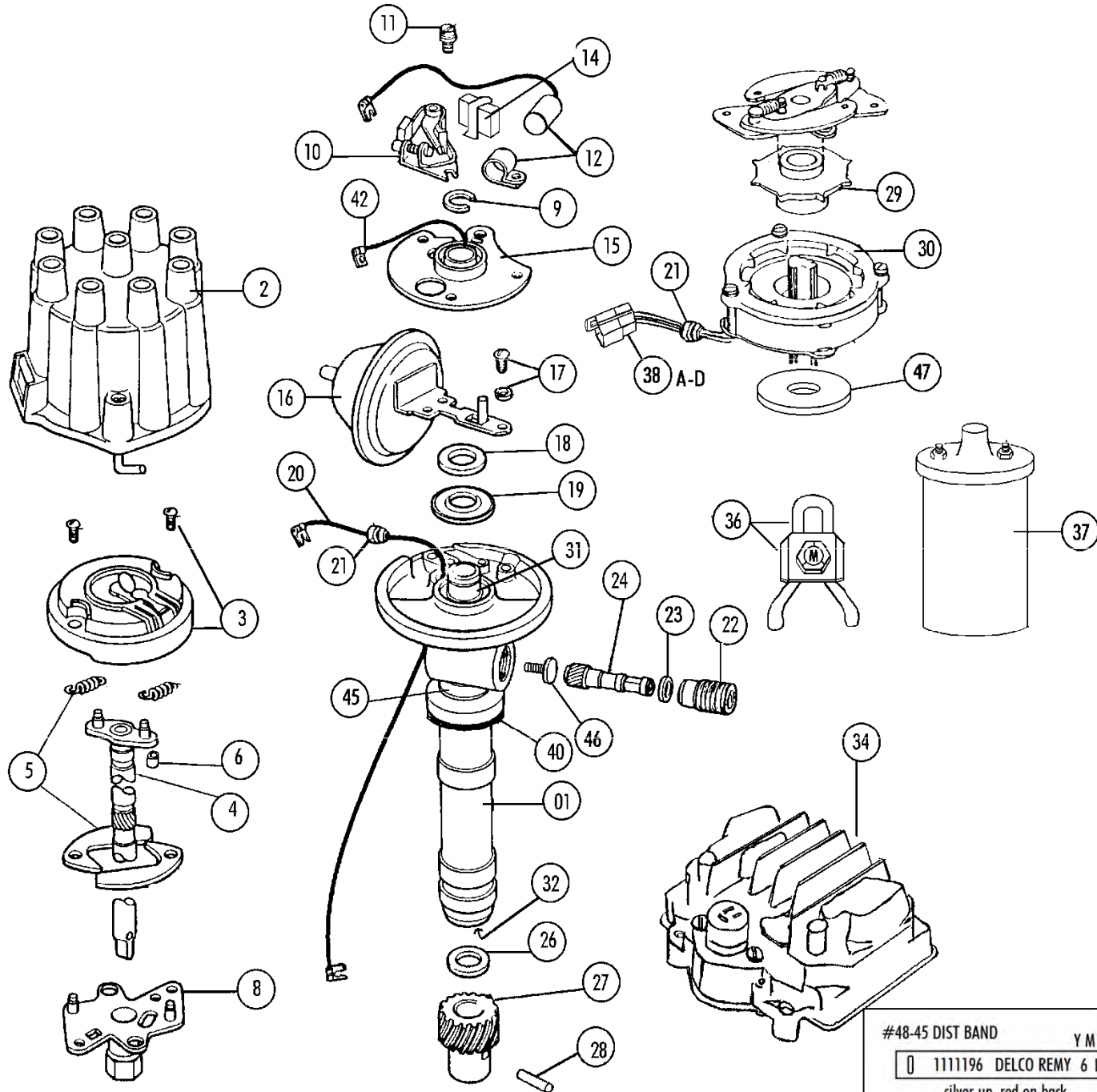
65-67 park brake shoes & hardware -----see section 52 for more brake and for 63-64 drum brake hardware

52-40	Parking Brake HARDWARE Kit S.S. (2 Whl Set)	65-7	1 SET	\$60.00	Set
52-41	Parking Brake SHOE set (4 Pc) (s.s.)	65-7	1 SET	85.00	Set
52-41B	Park Brake Shoe Set >steel< (4) (these are 'car' set)	65-7	1	45.00	set





# Section 48 Distributor parts, Vacuum Advance, Ignition Coils & Transistor Ignition Parts



#48-45 DIST BAND Y M D  
1111196 DELCO REMY 6 L 14  
silver up, red on back  
specify car info, TI or No, Engine, vin or build date

# Section 48 Distributor parts, Vacuum Advance, Ignition Coils & Transistor Ignition Parts

Sec- Part#	Name	Year	#need/Car	Price
48-01	Distributor <b>- NOS/ Delco</b> in Box 327 Distributor	63-7	1	\$ online
48-02A	Distributor Cap (replacement- No Writing)	63-7	1	\$ 15.00
48-02C	X Distributor Cap F.I. "Delco Remy PATENT PENDING"	63-5	1	N/A
48-02D	Distributor Cap "Delco-Remy PATENT PENDING"Black	63-7	1	65.00
48-03	Distributor Rotor (with Screws) (ext copper tip)	63-7	1	15.00
48-04A	Distributor Shaft (std)(250-300hp,390hp,400hp)	63-7	1	69.00
48-04B	X Distributor Shaft (hiperf)(340-365hp,425-450hp)	63-7	1	N/A
48-04C	X Distributor Shaft, Fuel Injection (NO Gear!)	63-5	1	N/A
48-05	Spring And Weight Kit	63-7	1	15.00
48-06	Rubber Sleeve (original)	63-7	1	2.00
48-06B	Metal Sleeve	63-7	1	3.00
48-08	Cam & Plate (recond, used) (NON TI)	63-7	1	25.00
48-09	x Retainer Spring Clip	63-7	1	n/a
48-10A	Distributor Points (Delco)	63-7	1	26.00
48-11	Screws For Points (pr)	63-7	1 PR	1.50 Pair
48-12	Capacitor And Bracket (replacement)	63-7	1	4.50
48-12B	Capacitor & Bracket (DR With Part Number)=53-03N	63-7	1	20.00
48-13	Capacitor Screw & Lw	63-7	1	0.75
48-14A	Cam Lubricating Wick And Retainer	63-7	1 SET	10.50 Set
48-14B	Distributor Cam Lubricant (10 Capsules)	63-7	1 BOX	3.00 Box
48-15	x Base Plate & Wire <b>- discontinued</b>	63-7	1	n/a
<b>Vacuum Advance = Repros with #in ( ) stamped. 1e 201</b>				
48-16A	X Vacuum Advance (201)63 All,64 250-300hp,65-7 425-435hp	63-7	1	DISCONT
48-16B	X Vacuum Advance (236)64-7 350-375hp; 65 250-375hp	64-7	1	DISCONT
<b>48-16D</b>	<b>Vacuum Advance (360) 67L 390-400hp</b>	<b>67L</b>	<b>1</b>	<b>\$ 40.00</b>
<b>48-16E</b>	<b>Vacuum Advance (355) 66-7 300hp,66-7E/390&amp;400 Hp</b>	<b>66-7</b>	<b>1</b>	<b>\$ 40.00</b>
48-16F	x Vacuum Advance (373) 66L-7 L-88	66L-7		DISCONTINUED
48-17	Screws & Washers For Vacuum Advance (pr)	63-7	1 SET	0.75 Set
48-18A	Shaft Felt Seal	63-7	1	1.75
48-18B	X Distrib Shaft & Gear Lube Under Felt -gone	63-7		n/a
48-19	Shaft Plastic Seal (under Felt)	63-7	1	3.00
48-20	Wire Lead (without Grommet) (no TI, no FI)	63-7	1	14.00
48-21	Grommet For Wire Lead (Std & TI)	63-7	1	3.00
48-22	Tachometer Cable Coupling	63-7	1	15.00
48-23	Tach Gear Washer	63-7	1	2.00
48-24	<b>Tach Driven Gear</b>	63-7	1	30.00
48-25	xDistributor housing	63-7	1	N/A
48-26A	Lower Gear Shim (.005")	63-7	1-3	2.00 Each
48-26B	Lower Gear Shim (.030")	63-7	1-3	2.00 Each
48-26C	Lower Gear Shim (.010")	63-7	1-3	2.00 Each
48-27	Lower Gear	63-7	1	24.00
48-28	Lower Gear Pin	63-7	1	1.00

see section 37 for tachometer cables and grommets.

Returns – With Invoice Up To 30 Days – No Restock

30- 60 Days 15% Restock

No returns after 60 days or without invoice.

**(No returns on dated items, electrical parts. No returns on Tools nor section 02)**

>> Photos online <<

Sec- Part#	Name	Year	#need/Car	Price
48-29	<b>Pole Piece (TI)</b>	63-7	1	\$ 120.00
48-30	Pickup Coil (TI) With 38A (connector) & Grommet	63-7	1	239.00
48-30B	x Pick Up Coil Wires & Bobbin Only x no more see 48-30	64-7	1	n/a
48-31	Upper Shaft Bushing	63-7	1	7.50
48-32	Lower Shaft Bushing	63-7	1	7.50
48-33	Bushing Installation Tool- (for Both Bushings)	63-7	1	9.00
<b>48-34</b>	<b>TI Amplifier Complete (USA)(Solid State)</b>	64-7	1	\$ 425.00 Each
48-34B	TI Amplifier Box <b>Module</b> (complete internal works) Solid State (USA)	64-71	1	169.00
48-36	<b>Distrib Wire Holddown, Reinf &amp; "TR" Bolt Set</b>	63-7	1 SET	14.00 Set
48-37A	x Coil- Non T.I.(replacement)	63-7	1	discontinued.
48-37B	x Coil- T.I. (good replacement- No "Delco") – no more	64-7	1	discontinued.
<b>Ignition Coils - standard and TI = the K&amp;B repro -see photos online- no returns(electrical items)</b>				
48-37C	x Ign Coil (091)(63 Early All;64 365-375hp Std Ign)	63-4	1	x
48-37D	x Ign Coil (087)(63 Mid-late All;64 250-300hp)x no more	63-4	1	x
48-37E	<b>Ignition Coil (202)</b> (all 327 With Standard Ign)	65-7	1	\$ 90.00 Each
48-37F	Ign Coil (232)(390hp Standard Ign)	66	1	90.00
48-37G	Ign Coil (264)(390-400hp Standard Ign)	67	1	90.00
48-37S	<b>TI Coil (Delco 176)</b> (64 TI)	64	1	140.00
48-37T	TI Coil (Delco 203)(65E 350-375hp)(Aug-Oct)	65E	1	140.00
48-37V	TI Coil (Delco 207)(327/350-375hp)	65-7	1	140.00
48-37W	x TI Coil (Delco 210)(65/425hp,66E/390hp 4 Spd)	65-6E	1	x
48-37X	x TI Coil (Delco 231)(66/425hp,66/390hp 4spd) <b>discontinued.</b>	66	1	x
48-37Y	TI Coil (Delco 261)(66/390-425hp/66/390 Auto)	66	1	140.00
48-37Z	X TI Coil (Delco 263)(67/427/390-435hp)	67	1	X
48-38A	TI Connector (double Male Term)(on Distributor)	64-7	1	8.00
48-38B	TI Connector (single Male Term)	64-7	2	2.25 Each
48-38C	TI Connector (single Female Term)	64-7	2	2.25 Each
48-38D	T.I. Connector (double Female Term)(on Harness)	64-7	1	2.50
48-39A	Bolt & LW Set For T.I. Amp (all 65)(on Rad Supt)	65	1 SET	2.25 Set
48-39B	Bolt, LW, Nut Set For T.I. Amp (except 65)(TR)	64-7	1 SET	6.00 Set
48-39C	Ground Screw For TI To Radiator Supt	66-7	1	0.95
48-40	<b>Gasket- Distributor To Intake (cork)</b>	63-7	1	2.50
48-41	Distributor Spacer- F.I.	63-5	1	20.00
48-42	Ground Wire Lead- on Distrib Base Plate	63-7	1	11.00
48-43	Screws, TI Amplifier Rear Cover (yellow)(6)	64-7	1 SET	4.00 Set
48-44	J Clip & Screw For TI Harness (under LH Catch)	66-7	1	2.75
<b>#48-45</b>	<b>Distributor Tag- Numbered &amp; Dated (silver up/red back* ...</b>	63-7	1	\$ 32.00

>Year, Engine Hp, TI Or Points, And Engine Assembly Date

(Special Order Item -takes About 2 Weeks) **special order, dated, no returns**

\* (Tag be made silver up/red back, they came both ways, if you want red up\*specify when ordering)

48-46	Plastic Thrust Button For Tach Gear	68-74	1	1.00
48-47	Washer For TI Distributor Pickup Coil	64-74	1	3.00
48-48	Coil Terminal Nuts, Retainers & Lw (2 Ea)	63-7	1 SET	10.00 Set

## Coil Supports

30-10	Coil Support Bracket 327	63-7	1	\$ 25.00
30-23	Coil Bolt & LW (327 coil bracket #30-10)	63-7	1	1.00
31-19A	Ignition Coil Support & Screw (396/427 Exc 3x2)	65-7	1	\$ 20.00
31-19B	Ignition Coil Support & Screw (427 3x2)	67	1	20.00
31-19C	427 Ignition Coil Screw	65-7	1	1.00
31-20	Coil Support Mounting Bolts (pr) (RBW)	65-7	1 PR	4.00 Pair

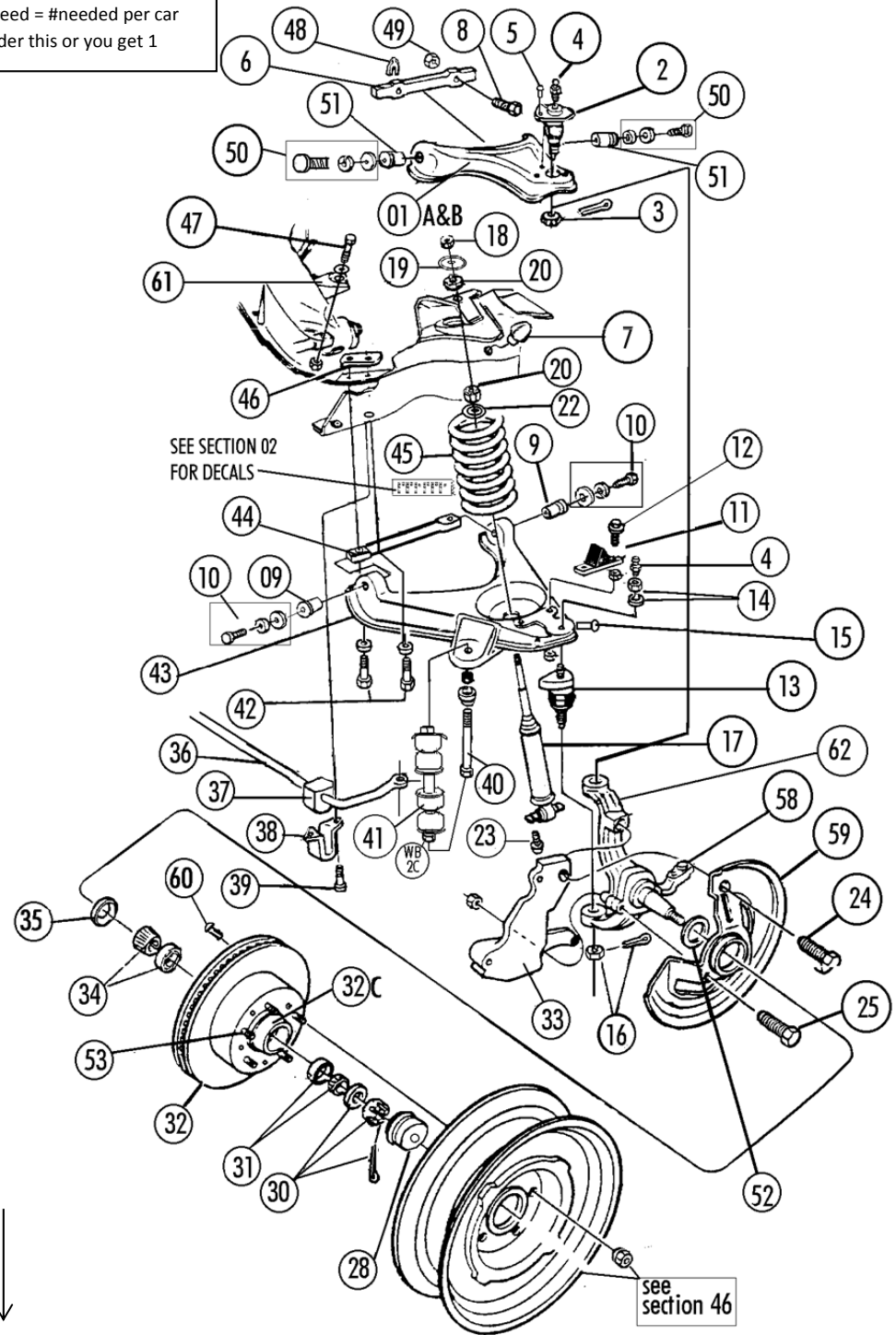
## TI Wiring - see section 43 for more wiring.

43-03A	Transistor Ignition Harness 64-65	64-5	1	145.00
43-03C	Transistor Ignition Harness 66-67	66-7	1	145.00
43-03D	Engine Harness Voltage Reg Adapter (all 65 TI)	65	1	38.00
43-03E	TI Harness Cloth Friction Tape (60' Roll)	64-7	1	15.00

# Section #49 Front Suspension: A-Arms, Ball Joints, Stabilizer, Shocks, Bushing, Hardware, Coil Spring

Sec-Part#	Name	Year	#NEED/Car	Price Inc	
49-01A	Upper A-arm LH (no ball joint) see 49-01	63-7	1		
<b>49-01</b>	<b>Upper A-arms (1 pair) (no ball joint)</b>	<b>63-7</b>	<b>1</b>	<b>\$ 220.00</b>	
49-01B	Upper A-arm RH (no ball joint)	63-7	1	120.00	
49-02A	Upper Ball Joint (good replacement)(rivetable)	63-7	2	35.00	Each
49-02B	Upper Ball Joint (correct repro >> see set 49-13c)	63-7			
49-03	Ball Joint Nut And Cotter Pin (2+2)	63-7	1 SET	<b>3.50</b>	Set
49-03B	Rubber Boot For Upper Ball Joint (repl=no#)	63-7	2	8.00	Each
49-04A	Grease Fitting- 90 Degree (4 Pc) (63all, 64 early thru #11000)	63-4E	1 SET	<b>5.75</b>	Set
49-04B	Grease Fittings- Straight (4 Pc) (for ball joints)	64-7	1 SET	3.25	Set
49-05A	Rivet For Original Upper Ball Joint (1/4") (6 Pc)	63-7	1 SET	3.00	Set
49-05B	Rivet For Replacement Upper Ball Joint(5/16") (6)	63-7	1 SET	3.00	Set
49-06A	x Upper Control Arm Shaft (square)(no Bushings) X	63-6E	2		N/A
49-06B	x Upper Control Arm Shaft (round)(no Bushings)repro (1)	66L-7	2		see used.
49-06BU	UPPER CONTROL ARM SHAFT - <b>USED</b> -ROUND,NO BUSHING (1)	66L-7	2	50.00	each
49-07	<b>Bumper- Upper Control Arm</b>	63-7	2	5.00	Each
49-08	Camber Adjusting Bolts (4 Pc) (TR)	63-7	1 SET	12.00	Set
49-09	A-arm Lower Bushing (1)	63-7	4	8.00	Each
49-10	<b>(Lower Bushing) Retainer, Bolt, Lw (4 Ea)</b>	63-7	1 SET	<b>20.00</b>	Set
49-11	<b>Bumper- Lower A-arm</b>	63-7	2	9.00	Each
49-11B	Bumper Spacers & Bolts (66/427/ac Only)	66	1 SET	24.00	Set
49-12	Bumper Bolts And Nuts (4 Ea) (Anchor Hdmk)	63-7	1 SET	5.00	Set
49-13A	Lower Ball Joint (good replacement)(rivetable)	63-7	2	35.00	Each
49-13B	Lower Ball Joint (correct repro) (1) X <b>see set 49-13C</b>	63-7	2		
49-13C	<b>set of 2 upper and 2 lower ball joints set (correct)</b>	63-7	1 SET	360.00	SET
49-14	Nut And Lw (Ball Joint/grease Fitting)(pr)	63-7	1 PR	<b>1.75</b>	Pair
49-15	Lower Ball Joint Rivets (4 Pc)	63-7	1 SET	3.00	Set
49-16	Lower Ball Joint Nut And Cotter Pin (pr)	63-7	1 PR	1.50	Pair
49-17A	<b>Front Shock Absorber (standard)use 49-17AG</b>	63-7	2		N/A
49-17AG	Front Shock(standard gas shock)(Delco Replacment	63-7	2	48.00	Each
49-17B	Front Shock (Heavy Duty) (F40,F41)use 49-17AG	63-7	2		N/A
49-18	Nut- Shock Upper (pr)	63-7	1 PR	0.50	Pair
49-19A3	Upper Retainer- Shock Upper (pr)	63	1 PR	4.00	Pair
49-19A4	Upper Retainer- Shock Upper (pr)	64	1 PR	5.50	Pair
49-19B	Upper Retainer- Shock Upper (pr)	65-7	1 PR	6.00	Pair
49-20A	Grommet- Front Shock Top (lower)(2)	63-7	1 PR	5.25	Pair
49-20B	Grommet- Front Shock Top (small Upper)(pr)	63-4	1 PR	5.25	Pair
49-20C	Grommet- Front Shock (large Upper)(pr)	65-7	1 PR	8.00	Pair
49-22A	Lower Retainer- Shock Upper (pr)	63	1 PR	4.00	Pair
49-22B	Lower Retainer- Shock Upper (pr)	64-7	1 PR	5.50	Pair
49-23	Bolt- Lower Shock (4 Pc) (E Hdmk)	63-7	1 SET	4.00	Set
49-24A	Front Brake Pivot Stud (see 52-47a)				
49-24B	Upper Bolt- Front Dust Shield (pr)	65-7	1 PR	15.00	Pair
49-25A	Spindle Bolt And Nut Set (4 Ea)	63-4	1 SET	<b>6.50</b>	Set
49-25B	Spindle Bolt And Nut Set (4 Ea)	65-7	1 SET	<b>6.50</b>	Set
49-25C	Front Spindle Bolts With J56 Brakes See 52-46b)	65-6			
49-26,27	Wheels (see Sect 46) 49-27 L ug Nuts (see Sect 46-06) section 46				
49-28	<b>Front Wheel Dust Cap (with Raised Bump) (1)</b>	63-7	2	10.50	Each
49-30	Front Spindle:Washer,Nut,Cotter Pin Set (2 Ea)	63-7	1	16.00	Set
49-31	Outer Bearing Assembly	63-7	2	15.00	Each
<b>49-31B &gt;</b>	<b>Front Wheel Bearing/seal Kit (1 Ea 31,34,35)</b>	63-68	2 SET	59.00	Set
49-32A	Front Brake Rotor And Hub	65-7	2		N/A
49-32B	Front Brake Rotor Only (10 HOLE) x	65-7	2		n/a
49-32C	Front Hub (with Bearing Set)	63-7	2		N/A
49-33A	Caliper Bracket (LH)(with Part #) poor plating -last 1	66L-7	1	<b>65.00 spl \$</b>	
49-33B	Caliper Bracket (RH)(with Part #) X NOT AVAIL- 49-33D	66L-7	1		N/A
49-33C	Caliper Bracket (LH)(no Part #) <b>poor plating</b>	65-6E	1	<b>65.00 spl \$</b>	
49-33D	Caliper Bracket (RH)(no Part #) poor plating	65-6E	1	<b>65.00 spl \$</b>	
49-34	Inner Bearing Assembly	63-7	2	29.00	Each
49-35	Seal Asm-for Inner Bearing	63-7	2	15.00	Each
49-36A	<b>Stabilizer Bar (standard 327)(3/4"dia)(used) x</b>	63-7	1		n/a
49-36B	Stabilizer Bar (standard 396/427)(7/8"dia)(used) last one.	65-7	1	99.00	
49-36C	Stabilizer Bar (F40/F41-327/396/427)(15/16"dia) x	63-7	1		n/a
49-37A	<b>Stabilizer Bar Bushings (2) 327 Std(3/4"bar)*PAIR</b>	63-7	1	12.00	PAIR
49-37B	Stabilizer Bar Bushings (2) (7/8") (396/427 Std Susp)	63-7	1 pr	12.00	PAIR
49-37C	Stabilizer Bar Bushings (2)(15/16")(F40/F41)splsusp	63-7	1 pr	12.00	PAIR
49-38	Bracket (1), For Front Stabilizer Bar	63-7	2	<b>8.50</b>	Each
49-39	Bolt & Nut-for Stabilizer Bracket (anchor)(4 Ea)	63-7	1 SET	5.00	Set

#need = #needed per car  
order this or you get 1





## Section #49 Front Suspension: A-Arms, Ball Joints, Stabilizer, Shocks, Bushing, Hardware, Coil Springs

Sec-Part#	Name	Year	#NEED/Car	Price Inc	
49-40	Bolts only For Stabilizer Link (WB2c)(2)	63-7	1 PR	\$ 15.00	Pair
49-41A	<b>Stabilizer Links</b> (WB2c Bolts & Correct Retainers)	63	1 SET	32.00	Set
49-41B	<b>Stabilizer Links</b> (WB2c & Correct Retainers)(set)	64-7	1 SET	44.00	Set
49-41C	Bushings Only, for Stab Links (set Of 8)	63-7	1	12.00	Set
49-42	Bolts & Lws- Lower A Shaft To Frame (4 Ea)(repl)	63-7	1 SET	6.00	Set
49-43A	Lower A-arm LH (no ball joint) ) *HAVE 1 @\$180 last one	64-7	1	180.00	
49-43B	x Lower A-arm RH (no ball joint)	64-7	1		n/a
49-43A3	<b>63 Lower A-arm LH (no ball joint) *HAVE 1 @\$180 last one</b>	63	1	\$ 180.00	
49-43B3	x Lower A Arm (RH) (no ball joint) X	63	1	x	n/a
49-44	<b>Lower A-arm Shaft</b> (no Bushings) (orig shape/no#)	63-7	2	54.00	Each

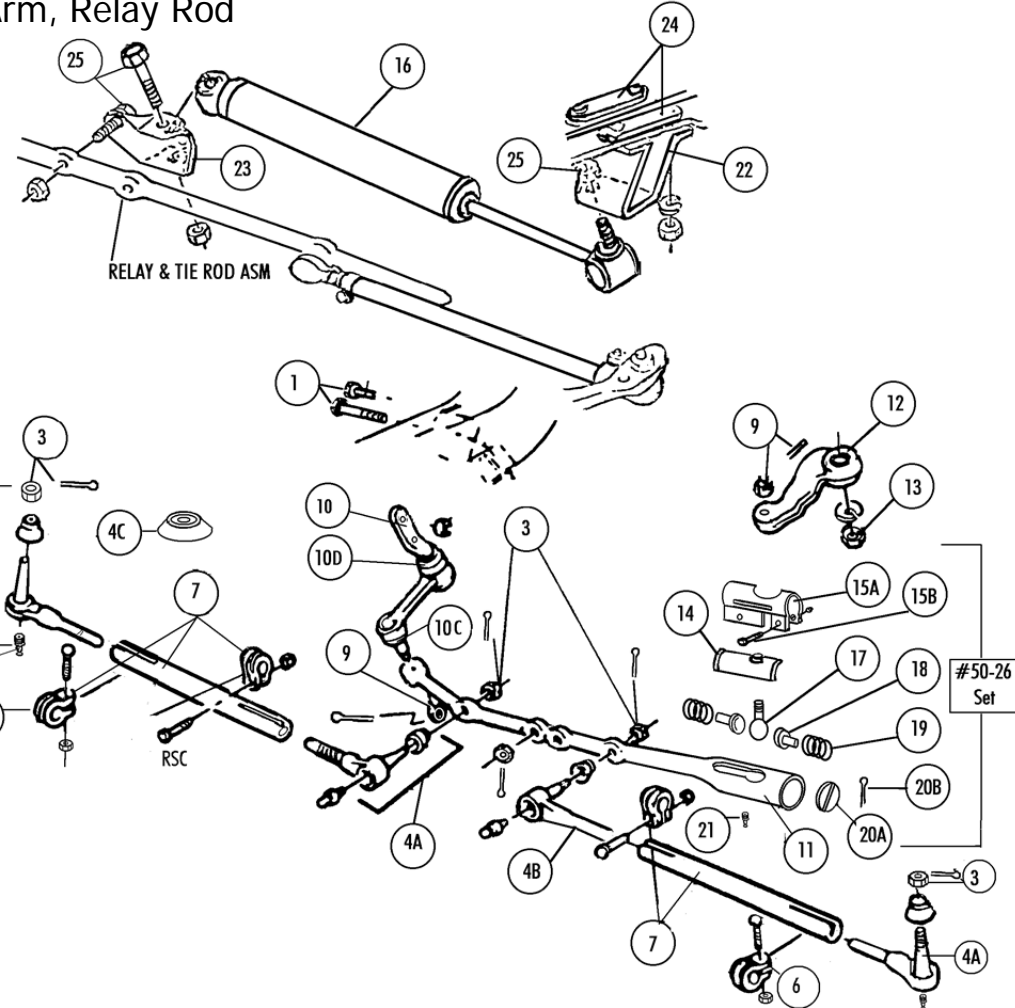
> **Springs "sit" At Same Height When Installed made to orig blueprints /correct diameter wire/load** NOTE 63 A/C (7 coil) NOT AVAIL - USE 49-45A

49-45A	x Front Coil Springs (63 Std Susp)(pr)(8 Coil)	63	1 PR	x discontinued	
49-45B	x Front Coil Springs (327 Std Susp)(pr)(12 coil)	64-7	1 PR	x discontinued	
<b>49-45C</b>	<b>x Front Coil Springs (396/427 Std Susp)(12coil)</b>	<b>65-7</b>	<b>1 PR</b>	<b>x discontinued</b>	
<b>49-45D</b>	<b>x Front Coil Springs (427 A/C Std Susp)(pr)(10coil)</b>	<b>66-7</b>	<b>1 PR</b>	<b>x discontinued</b>	
49-45E	x Front Coil Springs (F40, F41,Z06,L88)(pr)(7coil)	63-7	1 PR	x discontinued	

Sec-Part#	Name	Year	#NEED/Car	Price Inc	
49-46	Nut Plate- Lower A-arm Shaft	63-7	2	\$ 12.50	Each
49-47	Lower Arm Shaft Bolt, special Washer, lw, nut 2 Ea	63-7	1 SET	18.00	Set
49-48	<b>A-arm Shim Kit (both Sides) (no Hole, no Writing)</b>	63-7	1 SET	25.00	Set
49-49A	A-Arm Alignment Nuts & Lw (4 Pr)	63-5	1 SET	3.00	Set
49-49B	A-arm Alignment Nuts (4 Pc)	66-7	1 SET	2.25	Set
<b>49-50</b>	<b>(Upper Bushing): Retainer, Bolt, Lw (4 Ea)</b>	63-7	1 SET	18.00	Set
49-51	Upper A-arm Bushing With Inner Rubber Ring	63-7	4	12.00	Each
49-51B	Upper A-arm Bushings (4) With Inner Rubber Ring	63-7	1 SET	45.00	Set
49-52	Gasket (Cork/rubber)(2) for Steering Knuckle	63-7	1 PR	4.75	Pair
49-53A	Wheel Stud (front & Rear)	63-4	20	1.75	Each
49-53B	Wheel Stud (TR) (front & Rear) (black) (1)	65-7	20	1.75	Each
49-58	Plug (2), rear Hole, steering Knuckle Arm-P/S only	63-7	1 PR	10.00	Pr
X 49-59	Front disc splash shields pair (gold color) REPL SHAPE 65-68, correctshape	69-82		<b>no more.</b>	
49-60	Rivets- Front Rotor To Hub (10 Pc)	65-7	1 SET	7.50	Set
49-61	Lower A-arm Support With Gusset (LH=RH Weld On)	63-7	2	99.00	Each
49-62	Front Spindle (used)(63-4 Or 65-7)	63-7	2		N/A

## Section #50 Steering Linkage: Idler Arm, Tie Rod, Pitman Arm, Relay Rod

Sec-Part#	Name	Year	#NEED/Car	Price Inc	
50-01	Idler Arm Bolts (1+1) And Nuts (2 Ea)	63-7	1 SET	\$ 5.50	Set
50-03	Tie Rod End Nut And Cp (4 Ea)	63-7	1 SET	<b>3.75</b>	Set
<b>50-04</b>	<b>Tie Rod Ends (LH +RH Thead) repro/ flat style pregreased/sealed</b>	<b>63-7</b>	<b>2 pr</b>	<b>40.00</b>	<b>pair</b>
50-04C	Tie Rod End Boot (correct) (1)	63-7	4	8.00	Each
50-05	Tie Rod End Grease Fittings (4 Pc)	63-7	1 SET	3.00	Set
50-06	Tie Rod Clamp, Bolt(RSC), Nut (correct W Rib)	63-7	4	6.50	Each
50-06B	Bolts (RSC)and Nuts Only (4+4) For Tie Rod Clamp	63-7	1	5.00	Set
50-07	Tie Rod Sleeve With Clamps & Bolts (RSC)	63-7	2	33.00	Each
50-09	Nuts And Cp- Pitman & Idler Arm (2 Ea)	63-7	1 PR	<b>3.50</b>	Pair
50-10A	X Idler Arm (no P/S)(#3771985) X see 50-10R **	63-7	1		
50-10B	X Idler Arm (P/S) (use 50-10A OR X same except cast#	63-7			N/A
50-10R	Idler Arm - replacement =no cast #< (reg or p/s)	63-7	1	55.00	
50-10C	Plastic & Rubber BUSHINGS (1 Pr) for idler arm	63-7	1 PR	4.00	Pair
50-10D	Idler Arm Boot	63-7	1	9.00	
50-11A	<b>Steering Relay Rod(327/396/427-no P/S)-rebuilt* NO CORE (5 hole)</b>	<b>63-7</b>		<b>\$200.00 reduced.</b>	
50-11B	steering relay rod 3 hole replacement 327/396/427 7/8" gm replacement		x		
50-11C	Steering Relay Rod (Power Steering) x	63-7	1		
50-12A	<b>Pittman Arm</b> (Regular, non PS)	63-7	1	55.00	
50-12B	Pittman Arm (Power Steering)	63-7	1	55.00	
50-13	Pittman Arm Nut And Lw	63-7	1	14.00	
<b>50-26</b>	<b>&gt; Drag Link Rebuilding Kit (50-14,15A/B,17-21)</b>	63-7	1 KIT	95.00	Kit
50-14	Relay Rod Seal (non P/S)	63-7	1	22.00	
50-15A	Clamp For Relay Rod Seal (non P/S)	63-7	1	13.00	
50-15B	Bolts & Nuts For Relay Rod Clamp (2 Ea)	63-7	1 SET	<b>2.25</b>	Set
50-16	Steering Stabilizer Shock(327-except 63-5 Hiper)	63-7	1	<b>155.00</b>	
50-17	Ball Stud- Non P/S Relay Rod	63-7	1	25.00	
50-18	Seat- Non P/S Relay Rod (pr)	63-7	1 PR	26.00	Pair
50-19	Springs- Non P/S Relay Rod (pr)	63-7	1 PR	10.00	Pair
50-20A	Plug- Non P/S Relay Rod	63-7	1	7.50	
50-20B	Cotter Pin For Plug- Non P/S Relay Rod	63-7	1	0.25	
50-21	Grease Fitting- Non P/S Relay Rod	63-7	1	0.75	
50-22	<b>Stabilizer Piston Bracket</b> On Frame	63-7	1	27.00	
50-23	Stabilizer Piston Bracket On Relay Rod	63-7	1	27.00	
50-24	Bolt Plate(2), Nut(4) & Washer(4) Set	63-7	1 SET	10.00	Set
50-25	Stabilizer Shock Bolt & Lock Nut Set	63-7	1 SET	3.50	Set
<b>50-26</b>	<b>&gt; Drag Link Rebuilding Kit (50-14,15A/B,17-21)</b>	63-7	1 KIT	\$ 95.00	Kit





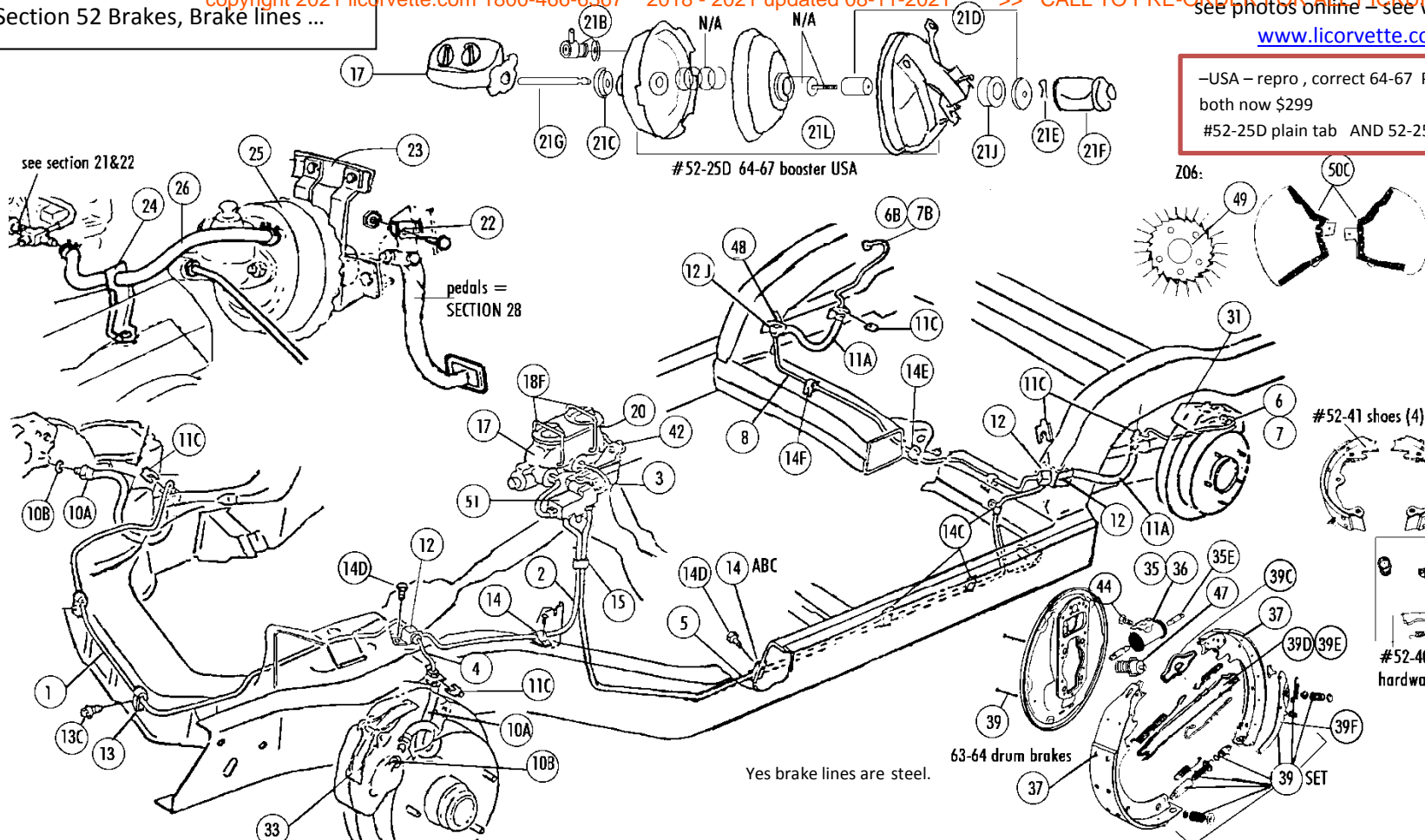
Part#	Name	Year	#	Need/Car Price
51-01	x Cross Member With Cushions (Diff Carrier) x	63-7	1	\$ n/a
51-02	Diff Carrier Bolts And Lw (4 Ea)(O)	63-7	1 SET	4.00 Set
51-03	Cushion (Diff Carrier)	63-7	2	66.00 Each
51-04A	Cushion Steel Sombrero (weld To Bracket)	63-7	2	38.00 Each
51-04B	Sombrero Bracket (weld To Frame)(LH)	63-7E	1	45.00
51-04C	Sombrero Bracket (weld To Frame)(RH)	63-7E	1	45.00
51-04D	Sombrero Bracket (weld To Frame)(LH)	67L-	1	45.00
51-04E	Sombrero Bracket (weld To Frame)(RH)	67L	1	45.00
51-05	Cushion Bolts & Lw (2 Ea)	63-7	1 PR	2.00 Pair
51-06A	Bumper (Rear Torque Arm)(until April 64)w brackt	63-4E	2	30.00 Each
51-06B	Bumper (rear torque arm) (with tab) (1)	64L-7	2	12.50 Each
51-07A	Bumper Bolts, Nuts Set	63-4	1 SET	2.75 Set
51-07B	Bumper Nuts (pr)	64-7	1 PR	0.50 Pair
51-08	Spindle Nut, Washer, Cotter Pin (2 Ea)	63-7	1 SET	18.00 Set
51-09	Spindle Flange & Deflector	63-7	2	79.00 Each
51-10	Spindle Flange Deflector	63-7	2	3.50 Each
51-11	Spindle Flange Shield	63-7	2	5.00 Each
51-12	Inner Rear Wheel Bearing Seal	63-7	2	15.00 Each
51-13	Inner Rear Bearing & Race (Delco)	63-7	2	44.00 Each
51-14	<b>Rear Spindle Shim Kit (9 Thicknesses)</b>	63-7	1 SET	30.00 Set
51-15A	X Trailing Arm (LH) 65-67 (not selling) slow item	65-7	1	n/a
51-15B	X Trailing Arm (RH) 65-67	65-7	1	n/a
51-15CD	X Trailing Arm 63-64 PAIR (not selling) slow item.	63-4	1	DISCONT.
51-16	Rear Spring End Bolt (black)	63-7	2	10.00 Each
51-17	Spring Bolt Flat Washer	63-7	4	2.50 Each
51-18	Rear Spring Rubber Cushion (1)	63-7	4	2.75 Each
51-19A	Spring Cushion Retainer (thinner)	63-6	4	3.75 Each
51-19B	Spring Cushion Retainer (thicker)	67	4	3.00 Each
51-20	Spring End Nut And Cotter Pin (2 +2)	63-7	1	1.50 Set
51-21A	<b>Rear Spring End Hardware (#16-20) with 4 #19A)</b>	63-6	1	48.00 Set
51-21B	<b>Rear Spring End Hardware (#16-20)with 4 #19b)</b>	67	1 SET	48.00 Set
	(2)#16,(4)#17,(4)#18,(4)#19,(2)#20			
51-22A	<b>Spindle Bearing Housing (LH) (New) discontinued</b>	63-7	1	X
51-22B	Spindle Bearing Housing (RH) (New) discontinued	63-7	1	X
51-23A	Spindle Housing Studs (1) (2-1/4"	63-4	8	7.00 Each
51-23B	Spindle Housing Studs (1) (2-7/8"	65-7	8	2.50 Each
51-24	Seal & Bearing Kit (=1 Side)(51-12,13,48,49)	63-7	2 SET	\$ 95.00 Set
51-25	Shock Bkt/strut Arm Nuts And Cp (2 Ea)	63-7	1 SET	3.25 Set
51-26A1	<b>Parking Brake Plate LH (Gold) GM LEFT # 3864067 STAMPED ITM/not DelcoM 65-82 30.00</b>			
51-26	Parking Brake Plates PAIR (Correct Gold Color) repro 1 PAIR < 65-82	65-7	1	\$ 80.00
51-26B	<b>Parking Brake Plate (Correct Gold Color)(RH) 1 EXTRA</b>	65-7	1	\$ 45.00
	(correct Zinc Dichromate Gold Finish) With #logo fits 65-82 REPRO			
51-27	Nuts And Lw (for Stud #23)(8 Ea)	63-7	1 SET	3.25 Set
51-28A	Brake Flange Rear Bracket (LH)	65-7	1	75.00 Each
51-28B	Brake Flange Rear Bracket (R H)	65-7	1	75.00 Each
51-29A	Trailing Arm Shim Set (forked) (20 Shims)	63	1 SET	59.00 Set
	STEEL (FORKED SHAPE) STEEL/PLATED			
51-29B	<b>Trailing Arm Shim Set (both Sides) (20 Shims)(2 holes)</b>	64-7	1 SET	59.00 Set
	STEEL (2 HOLES) STEEL/PLATED			
51-30	Plate (trailing Arm Bushing)(s.s.) (1)	63-7	4	2.00 Each
51-31	Retainer Tube (1)(Trailing Arm Bushing)(s.s.)	63-7	2	6.75 Each
51-32	Bushing (trailing Arm)	63-7	4	10.00 Each
51-33A	Trailing Arm Pivot Bolts,washers Nut Set	63E	1 SET	9.00 Set
	63 Early = Thru March 63 ... After Use 33b			
51-33B	Trailing Arm Pivot Bolts,nut,lw,fw,cp	64-7	1 SET	10.00 Set
51-33C	Trailing Arm Bushing & Hardware Set (51-30,31,32,33A 33A)	63E	1 SET	53.00 Set
51-33D	Trailing Arm Bushing & Hardware Set (51-30,31,32,33B)	64-7	1 SET	58.00 Set
51-34	<b>Rear Axle Half Shaft,u-joints,flange (2-1/2") (1)</b>	63-7	2	195.00 Each
51-36A	French Lock (rear Axle)(4 Pc) STEEL	63-4	1 SET	19.00 Set
51-36B	French Lock (rear Axle)(4 Pc) STEEL	65-7	1 SET	10.00 Set
51-37	<b>Axle Flange Bolts (8 Pc)</b>	63-7	1 SET	12.00 Set
X 51-38A	<b>9 Leaf Spring (Standard) x )</b> sold out x no more	63-7	1	n/a discount.
X 51-38B	<b>x 7 Leaf Spring (Heavy Duty)</b> sold out x no more	63-7	1	n/a
51-39	Spring Liner (each) (uses 7std Or 5 HD)	63-7	5-7	\$ 7.75 Each
51-40	Axle Universal Joint (no Zerks)	63-7	4	\$ 35.00 Each
51-40B	Axle Universal Joint With Zerks(grease Fitting)	63-7	4	30.00 Each
51-41	Axle Universal Joint Flange (1)	63-7	2	49.00 Each
51-42A	Diff U-bolt, Nut & Lw (327 All; 396/427 No Posi)	63-7	2 PR	7.00 Pair
51-42B	Diff Universal Joint Caps (396/427 Posi)	65-7	4	35.00 Each
51-42C	U-joint Cap Bolts & Lw (396/427 Posi)(8 Ea)	65-7	1 SET	10.00 Set
51-43	Parking Brake Kit S.S. (see Sect 52-40)			
51-44	Parking Brake Shoes S.S. (see Sect 52-41)			
51-45	Rivets- Rear Rotor To Spindle (10 Pc)	65-7	1 SET	7.50 Set
51-46	<b>Rear Wheel Brake Rotor</b>	65-7	2	75.00 Each
51-47A	<b>Rear Spindle (Drum Brakes) x</b>	63-4	2	\$ n/a
51-47B	<b>Rear Spindle (Disc Brakes)</b>	65-7	2	\$169.00 Each

#need =  
#needed  
PER CAR  
>Order  
Qty<

Part#	Name	Year	#	Need/Car Price	
51-48	Outer Rear Wheel Bearing Seal	63-7	2	\$ 18.00 Each	
51-49	Outer Rear Wheel Bearing Asm	63-7	2	\$ 40.00 Each	
51-50	Wheel Bearing Spacer	63-7	2	15.00 Each	
51-51, 52	Wheels (see Sect 46) AND STUDS see sect (see Sect 49-53a & 53b)				
51-53A	Rear Shock Absorber (standard) (use 51-53AG)	63-7	2	N/A	
51-53AG	<b>Rear Shock (standard gas shock)(Delco Replacement)</b>	63-7	2	\$ 48.00 Each	
51-53B	Rear Shock (Heavy Duty)(replacement) x	63-7	2	N/A	
51-53C	Heavy Duty Rear Shocks (2)(Heavy Cap/washer,not	64-7	1 pr	\$ 400.00 PAIR	
51-53C3	Heavy Duty Rear Shocks(2)(With Correct Cap,no#s)	63	1 pr	400.00 PAIR	
	* NO #S) (64-67 gray, 63 black)				
51-54A	Rear Shock Upper Bolts, Nuts & Lw (2 Ea)(L5 Hdmk)	63-7	1 SET	9.00 Set	
51-54B	Rear Shock Upper Bracket (weld To Frame)	63-7	2	14.00 Each	
51-54C	Grommet & Tube- Rear Shock Upper (1 Car Set)	63-7	1 SET	22.00 Set	
51-55A	Rear Lower Shock Bracket (LH)	63-7	1	45.00	
51-55B	Rear Lower Shock Bracket (RH)	63-7	1	45.00	
51-56	Grommets- Shock Absorber (set Of 4)(lower)	63-7	SET	20.00 Set	
51-57	Lower Shock Nuts, Lw & Retainers (2 Ea)	63-7	1 SET	7.00 Set	
51-58A	<b>Strut Arm With Correct Small Head &amp; Bushings</b>	63-7	2	49.00 Each	
51-59A	x Rear Strut Arm Bushing (for Orig Strut)(1-1/4")	DISCONTIND	63-7	4	N/A
51-60	Strut Bushing Cap (1)	63-7	4	2.50 Each	
51-61A	X Cam Asm, Cam, Nut & Lw 1963 -- use B 64-67	63	2	n/a	
51-61B	Cam Asm, Cam, Nut & Lw	64-7	2	28.00 Each	
51-62	Strut Arm Bracket Bolt, Lw, Fw (4 Ea)(Repl)	63-7	1 SET	4.50 Set	
51-63A	Strut Arm Bracket (used) X - not avail.	63	1	N/A	
51-63B	Strut Arm Bracket (used) x not avail.	64-7	1	N/A	
51-63C	X Weld On Plates For 63 Strut Arm Bracket	63	1 PR	N/A	
51-64	Diff Front Bolt, Washers, Lw & Nut (repl Bolt)	63-7	1	5.00	
51-65	<b>Mounting Cushions For Differential (pr)</b>	63-7	1 PR	18.00 Pair	
51-67	Diff Mounting Bracket (used)(give Year)	63-7	1	N/A	
51-68A	Diff Front Bracket Bolts,Nut,Lws Set(1Lng+2shrt)	63-4	1 SET	9.00 Set	
51-68B	Diff Front Bracket Bolts, Nuts,Lw,Cp Set(2long)	65-7	1 SET	12.00Set	
51-69A	<b>Drive Shaft Universal Joint (with Zerk)</b>	63-7	2	20.00 Each	
51-69B	Drive Shaft Universal Joints (no Zerks)	63-7	2	30.00 Each	
51-70A	xTrans Rear Yoke 63-64 (Coarse Spline/16) T-10 or Auto	63-4	1	n/a	
51-70C	Transmission Rear Yoke SEAL	63-7	1	9.75	
51-70D	<b>Trans Rear Yoke (26 TOOTH FineSpline)(Muncie or 65-7 Auto (W U-bolts)</b>	63-70		\$135.00	
51-71	<b>Drive Shaft 2" (with Correct U-joints/no Zerks)</b>	63-74	1	215.00	
51-72	Drive Shaft U-bolts (2), Nut & Lw Set	63-7	2 PR	7.00 Pair	
51-74	Rear Spring Anchor Plate	63-7	1	30.00	
51-75	Rear Spring Anchor Bolts & Lw (4 Ea)(repl hmark)	63-7	1 SET	10.00 Set	
51-76	Differential Cover (Heavy Duty)(use 65-7 Plug)	63-7	1	N/A	
51-77A	<b>Differential Cover Gasket</b>	63-7	1	6.00	
51-77B	Differential Cover Bolts & Lw (8 + 8) (O)	63-7	1 SET	8.00 Set	
51-78A	Differential Cover Plug (Fine Thread)	63-4	1	18.50	
51-78B	Differential Cover Plug (coarse thread)(NOS)	65-7	1	40.00	
51-79	Gasket for Diff cover plug (cork/rubber)	63-7	1	1.75	
51-80	Diff Plug Tag (see Sect 2-07)				
51-81	Limited Slip Diff. Additive (4 Oz)	63-7	1	14.95	
51-82	Calipers (see Sect 52-31)				
51-84	Diff Ring Gear Inner Carrier Bearings	63-7	2	59.00 Each	
51-85>	<b>Diff Bearing &amp; Seal Kit (2 #51-84,2 51-88,2 51-90, 1ea #51-93,94a,94b)</b>	63-79		345.00 Set	
51-86	<b>Rear Spring Center Bolt W/nut</b>	63-7	1	6.50	
51-87A	Diff Side Yoke & Deflector (327) (1)	63-7	2	120.00 Each	
51-87B	Diff Side Yoke & Deflector (396/427) (1)	65-7	2	120.00 Each	
51-87C	Yoke "c" Clips (pr)	63-7	1 PR	2.50 Pair	
51-88	Seal- Diff Side Yoke (1)	63-7	2	20.00 Each	
51-89	Deflector- Diff Side Yoke (1)	63-7	2	3.50 Each	
51-90	Bearing- Diff Side Yoke (1)	63-7	2	32.00 Each	
51-91A	Flange- Diff Front (63-4)	63-4	1	N/A	
51-91B	Flange- Diff Front (65-7)	65-7	1	N/A	
51-92A	Deflector- Diff Front Flange	63-7	1	12.00	
51-92B	Diff Front Flange Spacer (crush Collar) (5/8long	63-6E	1	15.00	
51-92C	Diff Front Flange Spacer (Long Crush Collar)	66L-7	1	20.00	
51-92D	Diff Ring Gear Carrier Shims (5 Pc)	63-7	1 SET	20.00 Set	
51-92E	Diff Front Flange Nut & Washer	63-7	1 SET	19.50 Set	
51-92F	Diff Pinion Shim (10 Pc Set)	63-7	1 SET	15.00 Set	
51-93	Seal- Diff Front Flange	63-7	1	15.00	
51-94A	Outer Bearing- Diff Front Pinion	63-7	1	52.00	
51-94B	Inner Bearing- Diff Front Pinion	63-7	1	59.00	
51-96	<b>Differential Plastic Vent</b>	63-7	1	4.00	
51-97A	Parking Brake Bolt (pr)	65-7	1 PR	4.50 Pair	
51-97B	Parking Brake Bolt Locks (pr)	65-7	1 PR	3.50 Pair	
51-98B	Posi Clutch Disk Pack (Eaton Rear)x no more (try chevy)	64-7	1	n/a	
51-98D	Bolts & Lw For Ring Gear (10)	63-7	1 SET	10.00 Set	
51-98E	Shim Kit For Posi Disks (3 Pc)	64-7	1 SET	28.00 Set	
51-99	<b>Rear Spindle Greasing Tool</b>	63-7	1	25.00	



Section 52 Brakes, Brake lines ...



-USA - repro, correct 64-67 Power boosters both now \$299  
#52-25D plain tab AND 52-25E DATED/numbered

Section # 52 Brake • Brake Lines • Power Boosters • Master Cylinders • Shoes, Drums, Z06

Brake Lines - (all are steel /magnetic (not s.s.)			
Sect-part#	Name	year	#need/car price
52-01	Front Crossover Brake Line	63-7	1 \$ 29.00
52-02A	Master Cylinder Line (63-4 Std)(+65 Drum)(1/4")	63-4	1 22.00
52-02B	Master Cylinder Line (power brakes)(1/4")	63-4	1 22.00
52-02C	X Master Cylinder Line (Z06) (3/16") in set only see 52-09J	63-4	1 >
52-02D	x Master Cylinder Line (standard 1/4") in set see 52-09F	65-6	1 >
52-02E	X Master Cylinder Line (65 power 3/16") in set 52-09D	65	1 >
52-02F	Master Cylinder Line (66 power 1/4")	66	1 22.00
52-02G	Master Cylinder Line (standard 1/4")	67	1 22.00
52-02H	X Master Cylinder Line (67 power brake)(1/4") > IN SET ONLY	9H	N/A
52-03	Master Cylinder Distribution Block Lines	67	1 PR 27.00 Pair
52-04	Left Front Line (block To Rubber Line)	63-7	1 15.00
52-05A	x Front To Rear Brake Line (standard & power) only in set	63-4	1 >>
52-05B	x Front To Rear Brake Line Z06 (3/16") in set 52-09J	63-4	1 > 9J
52-05C	x Front To Rear Brake Line (standard) (3/16") only in set	65	1 >
52-05D	X Front To Rear Brake Line (power 3/16")	65	1 > 9D
52-05E	X Front To Rear Brake Line (power 1/4") > SEE SET 52-09E	66	1 SEE SET 52-09E
52-05F	Front To Rear Brake Line (standard 1/4")	66	1 44.00
52-05G	Front To Rear Brake Line (standard 1/4")	67	1 44.00
52-05H	X Front To Rear Brake Line (power)(1/4") in set only 52-09H	67	1
52-05L	66 J56 front to rear line only last 1	66	1 \$ 50.00
52-06A	Rear Drum Brake Line (left)	63-4	1 19.00
52-06B	Rear Drum Brake Line (right)	63-4	1 19.00
52-07A	Rear Caliper Brake Line- With Armor (LH)	65-6	1 19.00
52-07B	Rear Caliper Brake Line- With Armor (RH)	65-6	1 19.00

Brake lines are magnetic/steel  
<Lines  
Steel Line Sets >



Sect-part#	Name	year	#need/car price
52-07B	Rear Caliper Brake Line- With Armor (RH)	65-6	1 \$ 19.00
52-07C	Rear Caliper Brake Line- No Armor (LH)	67	1 19.00
52-07D	Rear Caliper Brake Line- No Armor (RH)	67	1 19.00
52-08	Rear Crossover Brake Line	63-7	1 24.00
<b>&gt; Brake Line Sets- (all steel lines 1,2,3,4,5,6,7,8 as required per option/year)(not s.s.)</b>			
52-09A	Steel Brake Line Set 63-4 Std /65drum	63-5	1 SET 140.00 Set
52-09B	Steel Brake Line Set 63-64 power Brake (7 Pc)	63-4	1 SET 140.00 Set
52-09C	Steel Brake Line Set 65 standard Disc(7pc)	65	1 SET 140.00 Set
52-09D	Steel Brake Line Set 65 power 3/16"(7 Pc)	65	1 SET 140.00 Set
52-09E	Steel Brake Line Set 66 power 1/4"(7 Pc)	66	1 SET 140.00 Set
52-09F	Steel Brake Line Set 66 STD (7 Pc)	66	1 SET 140.00 Set
52-09G	Steel Brake Line Set 67 STD (8 Pc)	67	1 SET 140.00 Set
52-09H	Steel Brake Line Set 67 PB (8 Pc)	67	1 SET 140.00 Set
52-09J	Steel Brake Line Set/full Car (63-64 Z06/J56) (7 Pc)	63-4	1 SET 140.00 Set
52-09K	Steel Brake Line Set/full Car Set 65early Drum Brake	65E	1 SET 140.00 Set
52-09L	Steel Brake Line Set/full Car 66-J56 (8pc) DROP SHIP ONLY	66	1 SET 150.00
52-05L	66 J56 front to rear line only last 1	66	1 50.00
52-09M	Steel Brake Line Set/full Car 67-J56 (10 Pc) 1 in stock	67	1 SET 150.00 Set
52-10A	67 Front Rubber Brake Hose (Hex End) (fits 63-82)	67	2 14.00 Each
52-10B	Washer (for Front Brake Hose) (2)	63-7	1 PR 2.50 Pair
52-10C	63-66 Front Rubber Brake Line Hose (Round End)	63-6	2 24.00 Each
52-11A	63-67 Rear Rubber Brake Hose (fits 63-82)	63-7	2 14.00 Each
52-11C	Hose Clip & Block Clip (6 Pc Set) (black)	63-7	1 SET 6.00 Set
52-11D	Brake Hose Bracket On Trailing Arm (weld On)(pr)	63-7	1 PR 12.50 Pair
52-11E	Front Hose Bracket On Frame (weld On)	63-7	1 PR 12.50 Pair

Section # 52 Brake • Brake Lines • Power Boosters • Master Cylinders • Shoes, Drums, Z06

copyright 2021 licorvette.com 1800-466-6367 2018 - 2021 updated 08-11-2021 \*\*\* >> CALL TO PRE-ORDER FOR ALL PICKUPS

Sect-part#	Name	year	#need/car	price
52-12A	Brake Block (Left Front)(63-64 Standard & Power)	63-4	1	35.00
52-12B	Brake Block (Left Front)(65 standard)	65	1	35.00
52-12C	Block (Left Front)(65 Dual MC 3/16" & 63-4 Z06)	63-5	1	35.00
52-12D	Brake Block (Left Front)(standard)	66	1	35.00
52-12E	Brake Block (Left Front)(power 1/4")	66	1	35.00
52-12F	Brake Block (Left Front)(67 Std & Power)	67	1	35.00
52-12G	Brake Block (Left Rear)(Std & Pwr)(3/16")	63-5	1	35.00
52-12H	Brake Block (Left Rear)(1/4")	66-7	1	30.00
52-12J	Brake Block (Right Rear)	63-7	1	22.00
52-13A	Clip (front Crossover Brake Line)	63-6	1	3.95
52-13B	Clip (front Crossover Brake Line)(pr)	66L-7	1 PR	2.00 Pair
52-13C	Bolts For Clip #13B & 14E (pr) (E Hdmk)	63-7	1 PR	1.75 Pair
52-14A	Clip (brake Line On Side Rails)(63-4 All,65 Std)	63-5	3	4.00 Each
52-14B	Clip (brake Line On Side Rails)(65 Power Brake)	65	4	4.00 Each
52-14C	Clip (brake Line Side Rails)	66-7	5	1.00 Each
52-14D	Bolt For Side Clips & Front Block (D Hdmk)	63-7	1-6	0.85 Each
52-14E	Clip (rear Crossover/center Brake Line)	63-7	1	4.75
52-14F	x Brake Line Clip With Pin (green) in sets #16 only	63-7	2-4	x
52-14G	Brake Line Clip Top Of Side Rail Near Cowl	67	1	1.00
52-15A	Clip Holds Frt & Rr Lines Below MC (63-5) 63 Z06,64 J56, 65 Pb 63-5	67	1	6.50
52-15B	Clip holds Frt & Rr Lines Below MC (66-7) 66 Pb, 67 All	66-7	1	8.00
52-16A	Brake Line Clip & Bolt Set (9 Clips, 2 Screws)	63-5	1	50.00 Set
52-16C	Brake Line Clip & Screw Set (10 Clips, 6 Screws)	66	1	39.00 Set
52-16D	Brake Line Clips & Bolts (11 Clips, 9 Screws)	67	1	36.00 Set
52-17A,B	X 63 Master Cylinder A NON, B 63 PB	63		N/A
52-17C	Master Cylinder (64 All,65 Drum)(replacement)	64-5	1	\$ 129.00
52-17D	x Master Cyl (65-66 std /non-power)(repl no#)(repl cap/gasket	65-6		N/A
^ Replacement: NO WRITING ON LID OR BOTTOM				
52-17E	Dual Master Cylinder- 65 Power Brake (replacement*)	65	1	110.00
52-17F	Dual Master Cylinder- 66 Power Brake (replacement*)	66	1	110.00
(*52-17E & 17F Have 67 Style Cap & Fit Orig Lines) <<				
52-17G	Master Cylinder 1"-STD&PB (replacement)	67	1	88.00
52-17G7	x Master Cylinder 1" Std&PB "DC" Delco w/bleeders	67	1	n/a
52-17H	Master Cylinder- 1-1/8" 67 J56 Only (replacement)	67	1	75.00
52-17H7	Master Cylinder 1-1/8" 67 J56 "PG"Delco w/bleeders	67	1	160.00
52-18A	Master Cylinder Cover, Cap & Washer (63 STD & P/B)	63	1	28.00
52-18B	Master Cylinder Cap & Bail & Seal (use Delco...)	64	1 SET	33.00Set
52-18C	Master Cylinder Cover & Clips (65-66 STD)	65-6	1	34.00
52-18D	Master Cylinder Caps (65-66 PB)(Delco Writing)(pr)	65-6	1 PR	42.00 Pair
52-18J	Master Cylinder Caps (65-66 PB)(n.o.s.) (2)	65-6	1 PR	45.00 PAIR
52-18F	Master Cylinder Bails (2)	67	1 PR	6.50 Pair
52-18G	Screw For Front M/C Piston (65-6 P/B,67 All)	65-7	1	2.50
52-18H	Master Cylinder To Body Gasket (non P/B)	63-7	1	3.00
52-18K	Hex Head Screw For Power Brake M/C Cover	63	1	15.00
52-18L	Bleeder Screw For Master Cyl (64 P/B,67 All)	64-7	1-2	3.00 Each
52-18L3	Bleeder Screw For Master Cylinder (63 Pb/)	63	1	5.00
52-18M	Thumb Screw For Master Cylinder Cap (standard)	63	1	15.00
52-18N	x Master Cylinder Cap- Correct Writing & Dimples	67	1	n/a
52-18P	Master Cylinder Cap & Gasket (z06,j56)	63-4	1	N/A
52-19A	X Master Cyl.rebuild Kit (63-4 All,65 Drum)(notZ06)= 7/8"	63-5	1	N/A
52-19B	Master Cylinder Rebuild Kit (disk/non PB)(1")	65-6	1	25.00
52-19C	Master Cylinder SEAL Kit (65-66 PB)(NO Pistons Or Spgs	65-6	1	25.00
52-19C2	x 65-66 P/B Master Cyl Rebuild Kit (With Both Pistons)	65-6	1	55.00
52-19D2	X 67 M/C Rebuild Kit(1")Std/PB With Frt & Rear Pistons ^	67	1	N/A
52-19E	Master Cylinder Rebuild Kit 67 J56 (1-1/8")(PG)	67	1	29.00
52-19P	Master Cylinder Rear Boot (non P/B)(in Kit)	63-7	1	6.50
52-19Q	Master Cylinder Rear SEAL (with P/B)(in Kit)	63-7	1	2.00
52-19R	Brass Seat For M/C Fitting (63-4 STD,65 drum 63-66PB)(1/4" hole)63-6	63-6	1-2	3.00 Each
52-19S	Brass Seat For M/C Fitting (67 All) (3/8" hole)	67	1-2	3.00 Each
52-20A	Master Cyl Cover Gasket	63	1	4.50
52-20B	Master Cyl Cover Gasket	64	1	10.00
52-20C	Master Cyl Cover Gasket (non PB)	65-6	1	16.00
52-20D	Master Cyl Cover Gasket	67	1	9.00
<b>52-21 &gt; Power Booster Parts &lt;</b>				
52-21A	x63 P/B Valve & Grommet (front)(replacement 2 ports) x no more	63		n/a
52-21B	64-67 P/B Plastic Valve & Grommet (front)(new/repro)	64-7	1 SET	19.00Set
52-21C	P/B Front Seal (correct Cup Shape)	64-7	1	15.00
52-21D	X Power Booster Silencers (pr) discontinued	63-7	1 PR	N/A
52-21E	P/B Silencer Retainer Clip	63-7	1	0.75
52-21F	P/B Rear Plastic Boot To Cowl (N.O.S.)	64-7	1	25.00
52-21FR	P/B Rear Plastic Boot To Cowl (repro)	64-7	1	10.00
52-21G	P/B Front Push Pin (s.s.)	64-7	1	12.00
52-21H	P/B Rear Rubber Boot (between Booster And Cowl)	63	1	10.00
52-21J	P/B Booster Rear Rubber Grommet	64-7	1	15.00
52-21K	P/B Booster Front Metal Cup & Gasket	63	1	28.00
52-21KG	Gasket only:63 PB front cup gasket (from21K)	63	1	3.50 each
52-21L	Power Brake Booster Diaphragm (rubber only)	64-7	1	25.00
52-21M	P/B Interior Booster Foam Bumper	63-7	1	3.00
52-21N	P/B Front Flat Seal (63 In Metal Cup)	63	1	12.00



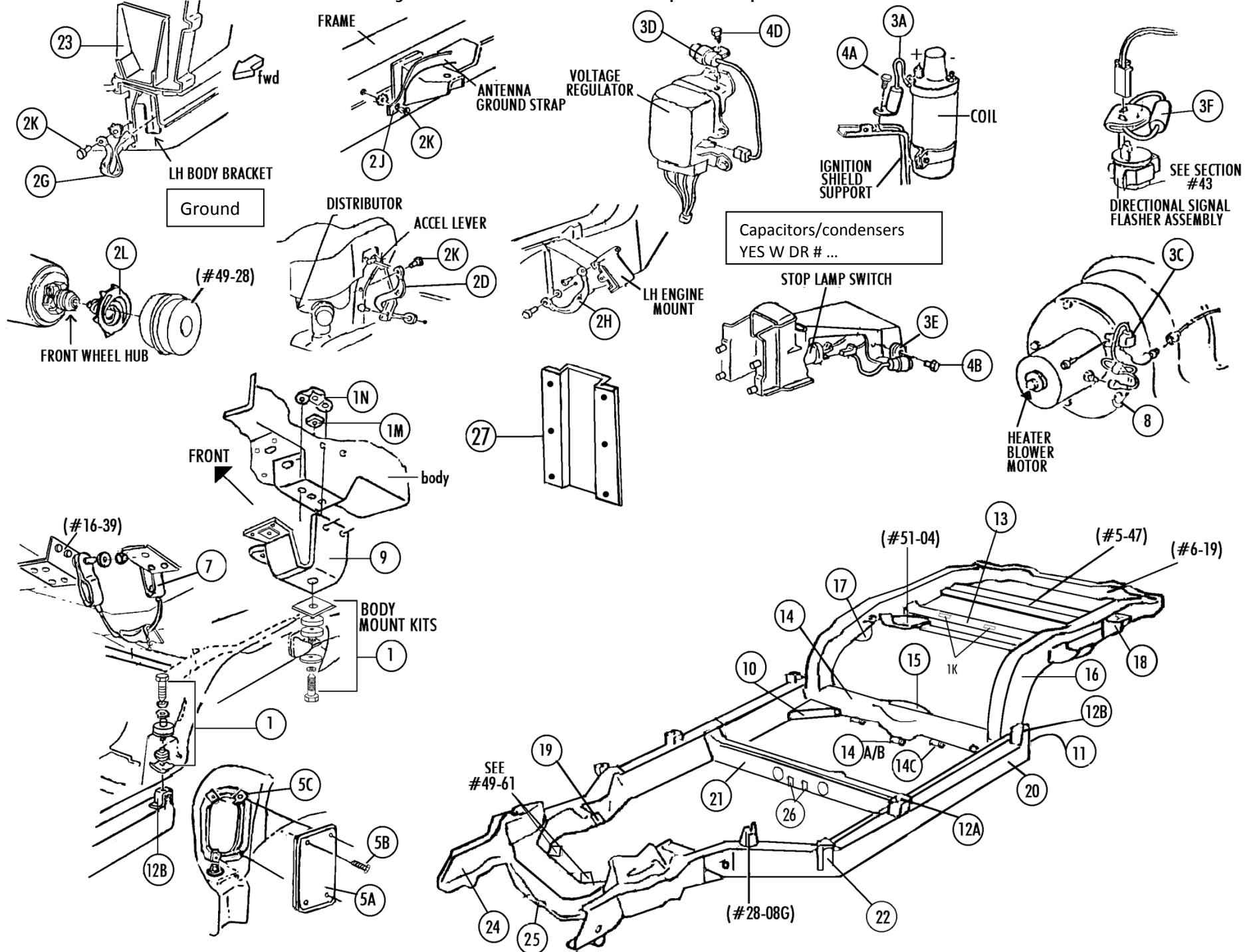
<Replacement Fits/works w lines not original style ie markings or cap...See photos online

<Master cylinders Covers <kits

> Z06 BRAKE FAN SCOOPS

Sect-part#	Name	year	#need/car	price
52-22	P/B Booster Pedal Actuator, Bolt And Nut	63-7	1	7.50
52-23	P/B Mounting Bracket With Bolts(anchr) + Rivets	63-7	1 SET	16.00 Set
52-23B	Power Booster Upper Bolts (anchr Hkrmk)(pr)	63-7	1 PR	4.00 Pair
52-24	Power Brake Hose Bracket (except FI)	63	1	14.00
52-25B	x Power Brake Booster- 1963 Rebuilt	63	1	N/A
52-25D	X Power Brake Booster- New	64-7	1	N/A
52-25F	Brackets only for booster 1 pr	64-7	1	\$ 50.00
<b>NO BOOSTERS.</b>				
52-26	Power Brake Hose And 2 clamps (no logo)	63-7	1	7.50
52-26A	x 63 Power Brake Hose And Clips (Swan Logo)	63	1	
52-26B	x 64-7 Power Brake Hose And Clips (Swan Logo)	64-7	1	
52-26C	x Power Brake Hose And Clips (67 Tripower)(Swan Logo)	67	1	
52-28	Front Caliper Seal Kit (one Caliper)	65-7	2	12.00 Each
52-29	Rear Caliper Seal Kit (one Caliper)	65-7	2	12.00 Each
52-30A	Piston- Aluminum For Front Caliper (& 65-67 S.S.)	67	8	11.00 Each
52-30B	Piston- Aluminum For Rear Caliper (67 non ss and 65-67 s.s.)	67	8	11.00 Each
52-30C	x Front Caliper Piston Spring	65-7	8	n/a
52-30D	Rear Caliper Piston Spring	65-7	8	2.00 Each
52-31	x no Calipers	65-7	1	N/A
52-32	Caliper Mounting Bolts & Lw (8 Ea)(black Phos)	65-7	1 SET	13.00 Set
52-33	Caliper Pads (4 Pads/2 Wheels)	65-7	2 SET	Sonline if avail
52-33B	x Semimetallic Brake Pads(J56front/dual Pin)(4 Pc) x	66-7	1 SET	discontinued
52-33C	X Semimetallic Brake Pads(J56rear/single Pin)(4) x	66-7	1 SET	discontinued
52-34A	Caliper Pad Pins (plated) & CP	65-7	4	2.00 Each
52-34B	Caliper Pad Pins (s.s.) & CP	65-7	4	8.00 Each
52-34C	Pin For Dual Pin Metallic Pads (front)(4)(4")	66-7	1 SET	20.00 Set
52-35A	Wheel Brake Cylinder- Front LH	63-4	1	44.00
52-35B	Wheel Brake Cylinder- Front RH	63-4	1	44.00
52-35C	Wheel Brake Cylinder- Rear LH	63-4	1	26.00
52-35D	Wheel Brake Cylinder- Rear RH	63-4	1	26.00
52-35E	Wheel Cylinder Pins (1)	63-4	8	4.00 Each
52-36A	Front Wheel Brake Cylinder Kit- No Pistons	63-4	2	10.00 Each
52-36B	Rear Wheel Brake Cylinder Kit- No Pistons	63-4	2	8.00 Each
52-36AP	Front Wheel Cylinder Kit With Pistons	63-4	2	16.00 Each
52-36BP	Rear Wheel Cylinder Kit With Pistons	63-4	2	14.00 Each
52-36C	Bleeder- Front Wheel Brake Cylinder (like Orig)	63-4	2	5.00 Each
52-36D	Bleeder- Rear Wheel Brake Cylinder (like Orig)	63-4	2	5.00 Each
52-36F	Caliper Bleeder (orig type)	65-7	6	3.50 Each
52-36G	Rear Caliper Hex Plug (s.s.)	65-7	2	1.50 Each
52-36GZ	Rear Caliper Hex Core Plug (zinc Dich)	65-82	2	1.50 Each
52-36H	Front Wheel Cylinder Piston (pr)	63-4	2 PR	12.00 Pair
52-36J	X Rear Wheel Cylinder Piston (pr) > IN KIT ONLY 52-36BP	63-4	2 PR	N/A
52-37AB	Brake Shoe Set-RIVETED/ FRONT & REAR SET	63-4		130.00
52-37C/d	Metallic Brake Shoes (J65)(front) X discontinued.	63-4	1 SET	discont
52-38A	Brake Drum-front (replacement)(no Hub,no Groove) last2	63-4	2	60.00 Each
52-38B	x Brake Drum- Rear (replacement)	63-4	2	n/a
52-39A	Front Brake Spring, Retainer, & Clips SET	63-4	1 SET	65.00 Set
52-39B	Rear Brake Spring, Retainer, Clip, & Pkg Bk Kit	63-4	1 SET	125.00 Set
52-39C	Brake Shoe Retainer (1 pair) (frt&rr)	63-4	2 PR	18.00 Pair
52-39D	Parking Brake Spreader Bar (pair) (rr)	63-4	1 PR	30.00 Pair
52-39E	Parking Brake Spring For Spreader Bar (2)(rear)	63-4	1 PR	10.00 Pair
52-39F	Parking Brake Levers & Pins & Clips (L&R+2+2)(rear)	63-4	1 SET	65.00 Set
52-39P	pins & clips (2+2) (for rear park brake levers)	63-4	1	10.00 set
52-40	Parking Brake HARDWARE Kit S.S. (2 Whl Set)	65-7	1 SET	45.00 Set
52-41	Parking Brake SHOE set(4 Pc) (s.s.)	65-7	1 SET	69.00 set
52-41B	Parking Brake Shoe Set >steel< (4)	65-7	1	45.00 set
52-42A	Bracket For J56 Brake Valve	66	1	75.00
52-42B	Bracket For J56 Brake Valve	67-8	1	65.00
52-42C	Bracket For Brake Valve (regular)	67-8	1	29.00
52-42D	BOLT for Distribution Block Or J56 Valve To Bkt	67	1	2.00
52-42E	J56 Brake Proportioning Valve Screw	66	1	1.00
52-43	J56 Brake Valve x	66-69	1	N/A
52-43C	Rebuild Kit For 66-69 J56 Round Brake Valve	66-9	1	50.00
52-44	Rear Wheel Brake Cylinder Bolts (4 Pc) (E)	63-4	1 SET	3.00 Set
52-45A	Brake Drum Springs (Round Wire)	64	4	12.00 Each
52-45B	Brake Drum Springs E(flat Wire)(4 Pc)	63	1 SET	N/A
52-46A	J56 Front Caliper Support Reinforcements (pr)	66-8	1 PR	N/A
52-46B	Bolts (6) for J56 Caliper Support	66-8	1 SET	12.00 Set
52-47A	X Front Brake Shoe Pivot (anchor pin) & Washer/retainer For Frt Wh Cyl	2		DISCONTINUED.
52-47B	Rear Brake Shoe Pivot (anchor Pin) & Nut & Lw	63-4	2	25.00 Each
52-47C	Washers only (2)/front brake pivot (from 52-47A)	63-4	1 PR	7.00 PAIR
52-48	Rear Brake Block Brackets (weld On)(pr)	63-7	1 PR	14.00 Pair
52-49	Z06 Brake Fan Set (2 Front+2 Rear)	63-4	1 SET	\$ 300.00 Set
52-50A	Z06 Brake Cooling Hole Cover Screws (28 Pc)	63-4	1 SET	19.50 Set
52-50B	Bolts For Front Eleph. Ear Brake Scoop (Z06)	63-4	1 SET	4.50 Set
52-50C	Z06 Elephant Ear Scoops (pair)	63-4	1 PR	\$ 400.00 Pair
52-50D	Z06 Brake Screen Metal Covers (8) x discontinued	63-4	1 SET	discontinued.
52-51	Distribution Block & Low Fluid Warning Switch	67-8	1	\$ 95.00
52-98	Delco Brake Fluid (regular Dot 3)		1	6.95

# Section #53 Body Mounts - Ground Straps - Capacitors - Frame & Brackets





## Section #53 Body Mounts - Ground Straps - Capacitors - Frame & Brackets

**Body Mount Kits – WB Headmark -- includes: all rubber mounts, shims, blocks, bolts, spacers, washers, (as required / year) (63set= 12 Ushims, 64-67 includes 6 U, 14 square shims)**

Sect-part#	Name	Year	#need/car	Price
53-01A	Body Mounting Kit- 63 Coupe & Roadster	63	1	74.00
53-01B	Body Mounting Kit- 64 Coupe	64	1	99.00
53-01C	Body Mounting Kit-64 Roadster	64	1	99.00
53-01F	Body Mounting Kit- 65-67 Coupe	65-7	1	99.00
53-01G	Body Mounting Kit- 65-7 Roadster	65-7	1	99.00
53-01H	Body Mounting Shims (square) (1/16" Thick) (1)	63-7	-	2.50 Each
53-01J	Body Mounting Shim (U Shape) (1/16" Thick) (1)	63-7	-	2.50 Each
53-01K	Body Mount Rectangular Rubber Blocks (2)	63	1 PR	16.00 Pair
53-01L	>Body Mounting Kit Addition For 64 After 4/21/64	64	1	25.00
53-01M	Body Mount Large Square Nuts (2)	63-7	1 PR	15.00 Pair
53-01N	Nut Cage & Rivets (at Body Mount #4) (1)	63-7	2	9.50 Each
53-01P	x Aluminum Spacer @#1 Body Mount (pr)(Rdster only) IN SETS ONLY	64-7	1 PR	x only in sets
53-01Q	X Body Mount Lower Cushion (Metal & Rubber) (1)	64-7	6	x only in sets
53-01R	X Body Mount Upper Cushion (1)	64-7	6	x only in sets

>Ground Straps – ground strap sets – (screws not included – see 53-02K

53-02A	Ground Strap Set (63 Only) (9 Pc)	63	1 SET	30.00 Set
53-02B	Ground Strap Set (without Side Exhaust) (6 Pc)	64-7	1 SET	29.00 Set
53-02C	Ground Strap Set (with Side Exhaust) (4 Pc)	65-7	1 SET	22.00 Set
53-02K	Ground Strap Bolt (E) And Lw Set (set Of 7)	63-7	1 SET	6.00 Set
53-02D	Accelerator Lever Ground Strap	63-7	1	7.50
53-02E	Exhaust At Center Hanger Gnd Strap	63	1	5.00
53-02F	Exhaust At Center Hanger Gnd Strap	64-7	2	5.00 Each
53-02G	Body To Frame Ground Strap (sil Plate)	63-7	1	7.00
53-02H	Engine To Frame Ground Strap	63-7	1	7.50
53-02J	Antenna Ground Strap	63-7	1	8.00
53-02K	Ground Strap Bolt (E) And Lw Set (set Of 7)	63-7	1 SET	6.00 Set
53-02L	Front Wheel Static Collector (1)	63-7	2	19.00 Each

**Radio Capacitors – correct with DR and number – see photos online**

53-03A3	Capacitor On Coil Bracket 327	63-5	1	20.00
53-03A7	Capacitor On Coil Bracket 327	66-7	1	20.00
53-03B	Capacitor On Coil Bkt,427/390-400 NO TI >	66-7	1	20.00
	(390-400 NO TI ONLY) (390HP NO TI AFT 10/65)			
53-03C	Capacitor On Heater Blower Motor (replacement)	64-7	1or2	65.00 Each
53-03C3	Capacitor On Heater Blower Motor (replacement)	63	1	65.00
53-03D3	Capacitor On Voltage Regulator	63-4	1	20.00
53-03D5	Capacitor On Voltage Regulator	65-7	1	20.00
53-03E	X Capacitor On Brake Light Switch	64-7	1	.DISCONTINUED
53-03F	x Capacitor On Directional Blinker AM/FM - no more	63L-7	1	.discontinued.
53-03G	X Capacitor On Ammeter (behind Dash)	63-7	1	.discontinued
53-03H	x Capacitor With Plug (behind Dash Near Ign Sw)	63-7	1	not avail/discontd
53-03J	x Capacitor w Plastic Clip (E/Brake Behind Dash)	64-7	1	.discontinued
53-03JB	block & pin for wire for Capacitor (E/Brake Behind Dash)	64-7	1	7.50
53-03K	Capacitor On Pkg Brake Switch & Brake Light Sw	63	2	20.00 Each
53-03L	Capacitor On Am Directional Switch (before 1/63)	63	1	20.00
53-03M	Capacitor In Alternator	63-7	1	20.00
53-03N	Capacitor In Distributor (with Dr & Number)	63-7	1	20.00
53-04A	Screw- Capacitor On Coil Bracket (327/427)	63-7	1	0.50
53-04B	Screw- Capacitor On Brake Switch	64-7	1	0.75
53-04D	Screw- Capacitor On Voltage Regulator	65-7	1	0.50
53-04E	Screw For Ground Wire To Radiator Support	63-7	1	.95

**Rear Access Plates , screws, nuts**

53-05A	Rear Body Mount Access Plate	63-7	2	7.00 Each
53-05B	Access Plate Screw With Att Ext Lw (8)	63-7	1 SET	6.00 Set
53-05C	U-nut Set For Rear Access Plates (set Of 8)	63-7	1 SET	3.00 Set
53-07B	X Seat Belt Cable And Hardware Set (3 Cables) DISCONTINUED	65-7	1 SET	.DISCONTINUED
53-07D	Hardware (bolts,nuts,washers)For Seat Belt Cables	65-7	1 SET	4.00 Set
53-07E	Seat Belt Center Cable (no stud) (8" ball to ball)	65-7	1	\$ 45.00
53-07F	X Seat Belt Outer Cables (w/stud) discontinued	65-7	2	N/A
53-07G	XShoulder Harness Cables (with NO3 (BIG TANK)) discontinued	66-7	1 PR	N/A
53-08	Ground Terminal On Blower Motor	64-7	1	3.00

Sect-part#	Name	Year	#need/car	Price
53-09A	Body Mount #4 Reinforcement- All LH	63	1	\$ 35.00
53-09B	Body Mount #4 Reinforcement- All RH	63	1	35.00
53-09C	Body Mount #4 Reinforcement- Coupe LH	64-7	1	35.00
53-09D	Body Mount #4 Reinforcement- Coupe RH	64-7	1	35.00
53-09E	Body Mount #4 Reinforcement- Roadster LH	64	1	35.00
53-09F	Body Mount #4 Reinforcement- Roadster RH	64	1	35.00
53-09G	Body Mount #4 Reinforcement- Roadster LH	65-7	1	35.00
53-09H	Body Mount #4 Reinforcement- Roadster RH	65-7	1	35.00
53-10A	Frame Corner Gusset- LH	65-7	1	22.00
53-10B	Frame Corner Gusset- RH	65-7	1	22.00
53-10C	Gusset- LH or RH (after 4/21/64)	64L	2	20.00 Each
53-11	Frame Main Rail End Plate	63-7	2	6.00 Each
53-12A	Body Mount Bracket & Nut #2 (roadster only)(under Door Sil)	64-7	2	\$ 45.00 Each
53-12A3	Body Mount Bracket & Nut #2 (coupe & Roadster)	63	2	48.00 Each
53-12B	Body Mount Bracket #3 (in Front Of Rear Wheel)	64-7	2	45.00 Each
53-12B3	Body Mount Bracket #3(in Front Of Rear Wheel)	63	2	48.00 Each
53-12C	Cage For Body Mount #2 Or #3 (included With A&b)	63-7	2-4	7.00 Each
53-13	#4 Frame Crossmember (welds On)(over Rear Axle) (LAST 1)	63-7	1	\$ 275.00
53-14X	#3 Frame Crossmember (welded)(2nd From Rear)	63-7	1	N/A
53-14A	Seat Belt Cable Clamp (weld to crossmember #3)	65-6	1	24.00
53-14B	Seat Belt Cable Clamp (weld to crossmember #3)	66L-7	1	24.00
53-14C	Frame Brackets For Center Body Mounts (pr)	63-4	1 PR	39.00 Pair
53-15	Pinion Snubber Bracket (weld To Crossmember)	63-7	1	69.00
53-16A-F	x Frame Rear Kick-up Assembly With Brackets-			N/A
53-17A	Rear Axle Bumper Bracket (weld To Frame)	63-4L	2	49.00 Each
53-17B	X Rear Axle Bumper Bracket (weld To Frame)- LH	64L-7	1	N/A
53-17C	X Rear Axle Bumper Bracket (weld To Frame)- RH	64L-7	1	N/A
53-18A	#4 Body Mount Bracket (weld To Frame)	63	2	49.00 Each
53-18B	#4 Body Mount Bracket (weld To Frame)	64-7	2	49.00 Each
53-19A	Motor Support Bracket- LH(weld To Frame)	63-7	1	99.00
53-19B	Motor Support Bracket- RH(weld To Frame)	63-7	1	99.00

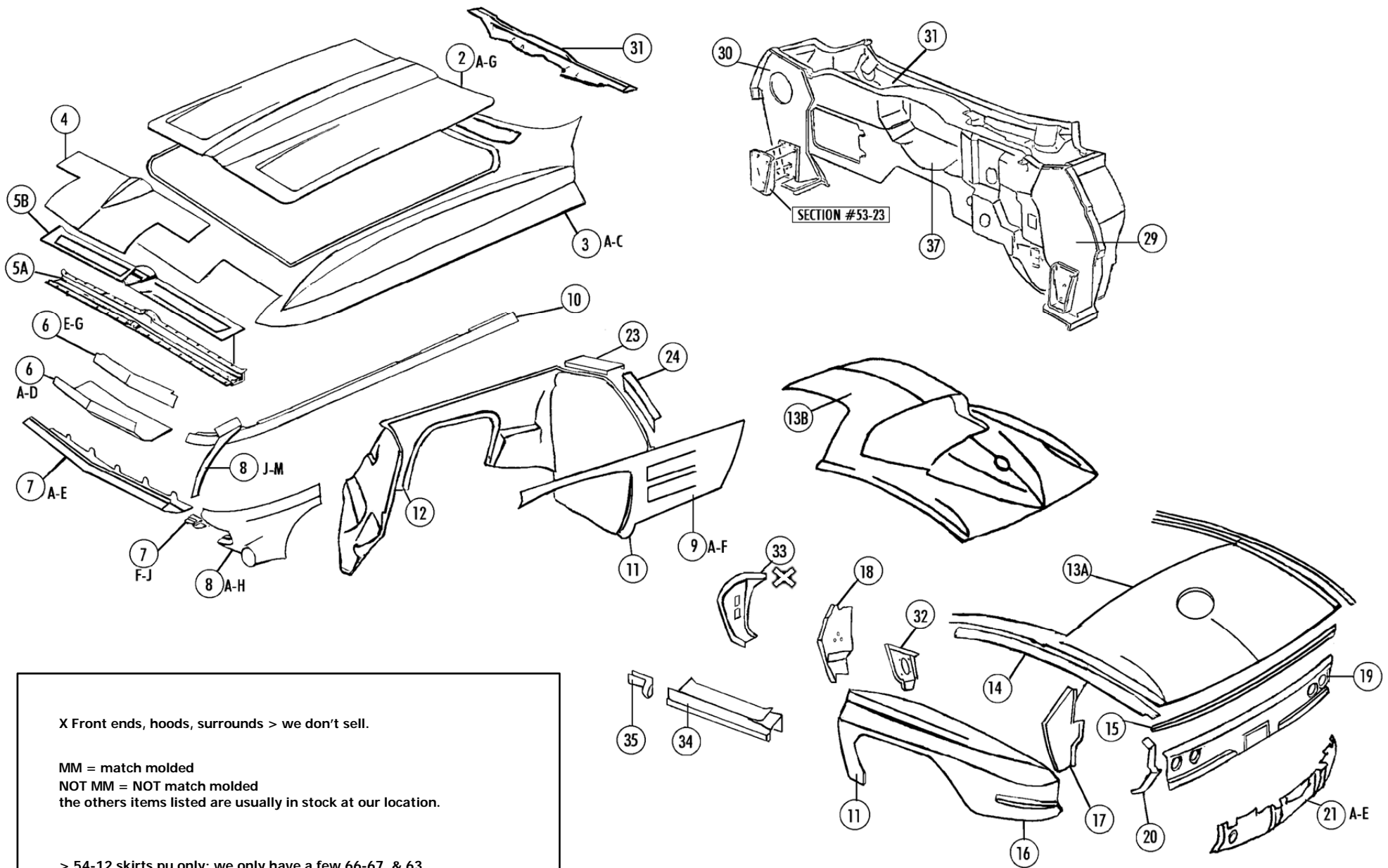
ONLY HAVE THE ones with \$ - see online for current ... only a few RHs. Not getting more.

53-20A	Repair Section In Front Of Rear Wheel(23")-LH	63-4	1	X
53-20B	Repair Section In Front Of Rear Wheel(23")-RH ONLY IN STOCK	63-4	1	\$ 130.00
53-20C	XRepair Section In Front Of Rear Wheel(23")-LH	65-7	1	
53-20D	XRepair Section In Front Of Rear Wheel(23")-RH	65-7	1	
53-20E	x Repair Section In Front Of Rear Wheel(48")- LH X	63-4	1	X
53-20F	Repair Section In Front Of Rear Wheel(48")- RH IN STOCK	63-4	1	190.00
53-20G	Repair Section In Front Of Rear Wheel(48")- LH	65-7	1	S
53-20H	Repair Section In Front Of Rear Wheel(48")- RH IN STOCK	65-7	1	190.00
53-20J	Frame Internal Alignment Sleeve (6")	63-7	-	25.00 Each
53-21A	X Frame Crossmember With Exhaust Pipe Holes	63	1	N/A
53-21B	X Frame Crossmember With Exhaust Pipe Holes	64-6	1	N/A
53-21C	X Frame Crossmember With Exhaust Pipe Holes	67	1	N/A
53-22A	#1 Body Mount Bracket On Frame LH	63	1	59.00
53-22B	#1 Body Mount Bracket On Frame RH X no more	63	1	N/A
53-22C	#1 Body Mount Bracket On Frame LH	64-7	1	59.00
53-22D	#1 Body Mount Bracket On Frame RH	64-7	1	59.00
53-23A	Body Mount #1 Bracket (riveted To Cowl)	63-7	2	25.00 Each
53-23B	Body Mount #1 Reinforcement (with Rivets)	63-7	2	12.50 Each

53-24A	Front Frame Horn- Inside LH	63-7	1	59.00
53-24B	Front Frame Horn- Inside RH	63-7	1	59.00
53-24C	Front Frame Horn- Outside LH (11"long)	63-7	1	59.00
53-24D	Front Frame Horn- Outside RH (11"long)	63-7	1	59.00
53-25	Front Crossmember Lower Repair Plate	63-7	1	175.00
53-26	Brackets For Rear Transmission Mount (pr)	63-7	1 PR	20.00 Pair
53-27	Underbody Reinforcement Near Fuel Tank (20 gal)	64-7	1	12.00

(for #'s In ( ) See That Sect # - Part #)

Section #54 Fiberglass: Body Panels - Rear Exhaust Panels, Park Light Panels - Fiberglass - Rivets



X Front ends, hoods, surrounds > we don't sell.

MM = match molded  
 NOT MM = NOT match molded  
 the others items listed are usually in stock at our location.

> 54-12 skirts pu only: we only have a few 66-67 & 63  
 >WE HAVE 1 pr 65-66 rear fenders in stock / pu only. #54-16CD

Section #54 Fiberglass: Body Panels – Rear Exhaust Panels, Park Light Panels - Fiberglass - Rivets

Sect-part#	Name	Year	#need/car	Price
<b>We do not sell, Hoods, Front Ends, nor Surrounds</b>				
54-02F	Hood (66-67 327) - 1 repro in stock -- pickup only	66-7	1	\$ 1500.00 pu
54-04A	X Front Upper Nose Repair Panel white	63-4	1	\$ N/A
54-04B	X Front Upper Nose Repair Panel 63-67 same shape.	65-7	1	N/A
54-05A	x Front Panel Metal Reinforcement	63-7	1	n/a
54-05B	X Bonding Strip for Front Panel Header Reinforcement	63-7	1	N/A
54-05C	Rivets (22 )for Front Reinforcement Bonding Strip	63-7	1 SET	\$ 5.50 Set
54-06A	X Upper Grill Panel 63-64 white x 63-67 same shape.	63-4	1	N/A
54-06C	X Upper Grill Panel x	65-6	1	N/A
54-06D	X Upper Grill Panel x	67	1	N/A
54-06E	X Upper Grill Panel Bonding Strip see 54-06F same shape	63-4	1	N/A
54-06F	X Upper Grill Panel Bonding Strip (e,f,g same shape)	65-7	1	N/A
54-06G	X Upper Grill Panel Bonding Strip - SEE 54-06F	67	1	N/A
54-07A	<b>Lower Grill Panel (valance)</b>	63-4	1	180.00
54-07D	Lower Grill Panel (valance)	65-6	1	180.00
54-07E	Lower Grill Panel (valance)	67	1	180.00
54-07F	Lower Grill Panel Bonding Strip- LH	63-4	1	60.00
54-07G	Lower Grill Panel Bonding Strip- RH	63-4	1	60.00
54-07H	Lower Grill Panel Bonding Strip- LH	65-7	1	60.00
54-07J	Lower Grill Panel Bonding Strip- RH	65-7	1	60.00
54-08A	<b>Parking Light Panel- LH</b>	63-4	1	210.00
54-08B	Parking Light Panel- RH	63-4	1	210.00
54-08E	Parking Light Panel- LH	65-6	1	210.00
54-08F	Parking Light Panel- RH	65-6	1	210.00
54-08G	Parking Light Panel- LH	67	1	210.00
54-08H	Parking Light Panel- RH	67	1	210.00
54-08J	Parking Light Panel Bonding Strip (lip) LH SEE 65-67 08L	63-4	1	85.00
54-08K	Parking Light Panel Bonding Strip (lip)- RH	63-4	1	85.00
54-08L	Parking Light Panel Bonding Strip (lip)- LH	65-6	1	85.00
54-08M	Parking Light Panel Bonding Strip (lip)- RH	65-6	1	85.00
54-08N	Parking Light Panel Bonding Strip (lip)- LH	67	1	85.00
54-08P	Parking Light Panel Bonding Strip (lip)- RH	67	1	85.00
54-09A	<b>Fender Side Louver Panel (white mm) LH</b> 1 in stock	63-4	1	335.00
54-09B	Fender Side Louver Panel (mm)- RH X	63-4	1	X N/A
54-09C	Fender Side Louver Panel- 65-66 LH we have lh only	65-6	1	325.00 \$spl
54-09D	Fender Side Louver Panel- 65 66 RH X	65-6	1	n/a
54-09E	Fender Side Louver Panel- 67 LH x	67	1	n/a
54-09F	Fender Side Louver Panel- 67 RH we have rh only	67	1	370.00
54-10A	Side Fender Bonding Strip LH (to Hood Surround) no white – see 10a/10c/e same shape	63-4	1	x
54-10B	Side Fender Bonding Strip RH (to Hood Surround) x	63-4	1	x
54-10C	Side Fender Bonding Strip LH (to Hood Surround) gray only	65-6	1	x
54-10D	Side Fender Bonding Strip RH (to Hood Surround)x	65-6	1	x
54-10E	Side Fender Bonding Strip LH (to Hood Surround) gray only	67	1	x
54-10F	Side Fender Bonding Strip RH (to Hood Surround)x	67	1	x
<b>No MORE #10 . Discontinued</b>				
54-11A	Fender Tips, Front (pr) (for Removing Side Pipes)	63-7	1 PR	110.00 Pair
54-11B	Fender Tips (Rear) pr (for Removing Side Pipes)	63-7	1 PR	110.00 Pair
<b>Inner skirts – pickup here only – call 1<sup>st</sup> to check stock – only a limited supply</b>				
54-12A	Inner Fender Skirt- LH X 64-65 NO MORE	64-5	1	N/A
54-12B	Inner Fender Skirt- RH X 64-65 no more	64-5	1	N/A
54-12C	Inner Fender Skirt 66-67 LH only PICKUP ONLY	66-7	1	\$ 425.00
54-12D	x Inner Fender Skirt 66-67 RH	66-7	1	x
54-12EF	63 Inner Fender Skirt- 63 WHITE LH + RH 63 1 PAIR PU ONLY	63	1	\$ 800.00 pair
54-12F	63 Inner Fender Skirt- 63 WHITE RH PU ONLY	63	1	425.00
54-13	x Rear Deck Panel	63-7	1	X
54-14A	Rear Deck, Side Bonding Strip- LH	63-4	1	\$ 95.00
54-14B	Rear Deck, Side Bonding Strip- RH	63-4	1	95.00
54-14C	Rear Deck, Side Bonding Strip- LH	65-7	1	95.00
54-14D	Rear Deck, Side Bonding Strip- RH	65-7	1	x
54-15A	x Rear Deck, Rear Bonding Strip 63-64 63-66 same shape	63-4	1	x
54-15B	x Rear Deck, Rear Bonding Strip 65-66 63-66 same shape	65-6	1	x
54-15C	x Rear Deck, Rear Bonding Strip 1967 with notch	67	1	x
54-16C	x Rear Fender, LH 63-67 same shape,just diff colors	63-7	1	x
54-16D	x Rear Fender, 65-66 RH only x	63-7	1	x

See section 25 for Fan Shruds. AND SECTION 11 For Tire Trays

Sect-part#	Name	Year	#need/car	Price
54-17A	x Rear Fender Splash Panel, LH 63-67 same shape	63-4	1	\$ n/a
54-17B	x Rear Fender Splash Panel, RH - discontinued	63-4	1	n/a
54-17C	x Rear Fender Splash Panel, LH	65-7	1	N/A
54-17D	x Rear Fender Splash Panel, RH - discontinued	65-7	1	n/a
54-18A	X Roadster Body Lock Pillar Cover- LH	63-7	1	N/A
54-18B	Roadster Body Lock Pillar Cover- RH	63-7	1	175.00
54-18C	Coupe Body Lock Pillar Cover- LH	63-7	1	175.00
54-18D	Coupe Body Lock Pillar Cover- RH	63-7	1	175.00
X 54-19A	<b>Rear Tail Light Panel</b> 63-66 same shape	63-4	1	N/A
X 54-19B	Rear Tail Light Panel (67 w/bu Light Hole) x	67	1	n/a
X 54-19C	Rear Tail Light Panel 65-66 x no more 65-66 x use 54-19A	65-6	1	n/a
54-20A	<b>Rear Panel Vertical Bonding Strip- LH</b>	63	1	\$ 85.00
54-20B	Rear Panel Vertical Bonding Strip- RH	63	1	85.00
54-20C	Rear Panel Vertical Bonding Strip- LH	64	1	85.00
54-20D	Rear Panel Vertical Bonding Strip- RH USE F same shape	64	1	
54-20E	Rear Panel Vertical Bonding Strip- LH	65-7	1	85.00
54-20F	Rear Panel Vertical Bonding Strip- RH	65-7	1	85.00
54-21A	<b>63 Lower Rear Filler Exhaust Panel (with Tabs) reduced</b>	63	1	\$ 310.00
54-21B	x 64-5 Lower Rear Filler Exhaust Panel (no S/P) - no more	64-5	1	n/a
54-21C	<b>66-67 Lower Rear Filler Exhaust Panel (no S/P) black \$reduced</b>	66-7	1	\$ 290.00
54-21D	x Rear Lower Filler Exhaust Panel (side pipes)	65-7	1	n/a
54-21E	Rear Valance Panel Tabs (pr)X	63	1 PR	N/A
54-21F	Flanges Only For Exhaust Panel Holes(not PM)(pr)	63	1 PR	78.00 Pair
54-21G	Flanges Only For Exhaust Panel Holes (pr) X	64-5	1 PR	N/A
(photo w measurements in online listing – last pair – reduced.)				
54-22B	Large Front Fender Flair Removal Panels (pr) (LAST PR)	63-7	1 PR	425.00 Pair
54-22C	Large Rear Fender Flair Removal Panels (pr) (LAST PR)	63-7	1 PR	425.00 Pair
54-23	Hood Block Fiberglass Reinforcements(see 20-36) SECTION 20			
54-24A	Fender Skirt Bonding Strips- LH	63	1 PR	\$ 99.00 Pair
54-24B	Fender Skirt Bonding Strips- RH	63	1 PR	99.00 Pair
<b>Rivets</b>				
54-25	Rivets- 3/16" X 3/8" L Large Flat Head Alum (100)			\$ 15.00 Set
54-26	Rivets- 3/16" X 5/8" L Large Flat Head Alum (100)			20.00 Set
54-26B	Rivets- 3/16x1/2" Countersunk/flat Head Alum (100)			15.00 Set
54-26C	Rivets- 1/8x5/16" Universal Head(panhead)alum(100)			12.00 Set
54-26D	Rivets- 3/16x7/16"universal Head(panhead)alum(100)			12.00 Set
54-26E	Heater Box Semitubular Rivets (50) (9/64x5/16")	63-7	1	12.00
54-26F	Semitubular Rivets(50) (9/64x1/4")		1	12.00
54-28A	x Door Skin- Roadster- LH (not MM) x – no more.	63-4E	1	x
54-28B	Door Skin- Roadster- RH (not MM) (63-64E =raised pads)	63-4E	1	275.00
54-28C	Door Skin- Roadster- LH (not MM)	64L-7	1	275.00
54-28D	Door Skin- Roadster- RH (not MM)	64L-7	1	275.00
54-29A	X Plenum Panel (LH)(not MM) – NO MORE	63-4	1	X N/A
54-29B	Plenum Panel (LH)(not MM)	65-6	1	99.00
54-29C	Plenum Panel (LH)(not MM)	67	1	99.00
54-30A	Plenum Panel (RH)(not MM)	63-4	1	99.00
54-30B	X Plenum Panel (RH)(not MM) x no more	65-6	1	X n/a
54-30C	Plenum Panel (RH)(not MM)	67	1	99.00
54-31	<b>xCowl Upper Panel</b> (Part Surround Glues To) x	63-7	1	n/a
54-32A	x Rear Quarter Panel Front Splash Panel- LH	63-7	1	n/a
54-32B	X Rear Quarter Panel Front Splash Panel- RH	63-7	1	N/A
54-33A	x Door Hinge Pillar Cover- LH (not MM)	63-7	1	n/a
54-33B	x Door Hinge Pillar Cover- RH (NOT MM)	63-7	1	n/a
54-34A	Door Sill Fiberglass (LH)(not Mm) 63-64 LH X all lh same see E	63-4	1	
54-34B	Door Sill Fiberglass (RH)(not Mm)	63-4	1	\$ 182.00
54-34C	Door Sill Fiberglass (LH)(not Mm) all lh same see E	65-6	1	
54-34D	Door Sill Fiberglass (RH)(not Mm)	65-6	1	182.00
54-34E	Door Sill Fiberglass (LH)(not Mm)	67	1	182.00
54-34F	Door Sill Fiberglass (RH)(not Mm) 63-67 same LH	67	1	182.00
54-35A	Door Sill Fiberglass Extension (LH)(not Mm) X A/C/E same shape	63-4	1	
54-35B	Door Sill Fiberglass Extension (RH)(not Mm) last white 1	63-4	1	55.00
54-35C	Door Sill Fiberglass Extension (LH)(not Mm) A/C/E SAME SHAPE	65-6	1	55.00
54-35D	Door Sill Fiberglass Extension (RH)(not Mm) x b/d/f same shape	65-6	1	n/a
54-35E	Door Sill Fiberglass Extension (LH)(not Mm) a/c/e same shape	67	1	55.00
54-35F	Door Sill Fiberglass Extension (RH)(not Mm)x b/d/f same shape	67	1	n/a
54-36A	X Floorboard Shifter Area - no	63-7	1	N/A
54-36B	Floorboard Rear U-joint Area -last 1 (in stock)	63-7	1	\$ 225.00

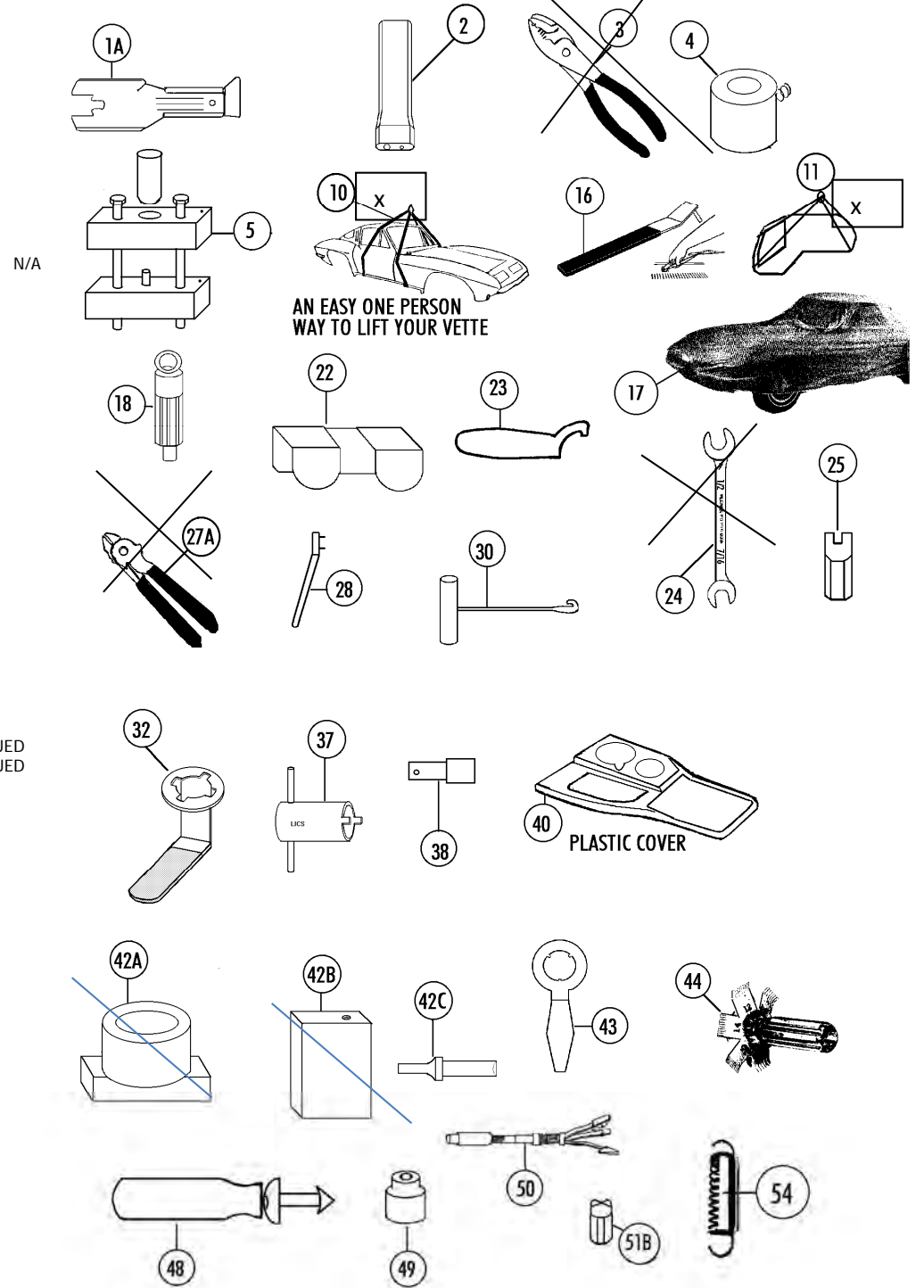


# Section #55 Tools And Accessories, Car covers-

**NO RETURNS ON ANY TOOLS**

Sect-Part#	name	year	Price
55-01A	Window Crank Clip Removal Tool	1	6.00
55-02A	Rivet Setting Tool (for 3/16" Aluminum Rivets)	1	33.00
55-02B	Rivet Setting Tool (for 1/8" Aluminum Rivets)	1	33.00
55-02C	Rivet Setting Tool (for 1/8-3/16"semitubular Riv	1	12.00
55-03	Pliers For Corbin Spring Hose Clamp x	1	N/A
55-04	Rear Spindle Greasing Tool	1	25.00
55-05	Torque Arm Bushing Installation Tool	1	85.00
55-06	Rear Spindle Removal Tool	1	20.00
55-07	Rear Shock Bracket Removal Tool	1	25.00
55-09A	Wire Terminal Double Crimping Tool	1	34.00
55-09B	Wire Terminal Double Crimping Tool- Deluxe	1	50.00
55-10	X Body Lift Strap Kit	1	
55-11	X Hard Top Hoist Strap Kit	63-7	N/A
55-16	Windshield Wiper Arm Removal Tool	63-7	9.00
55-17C	Car Cover (gray 4 Layer Breathable fabric)(in/outdoor)rain/sun	63-7	85.00
55-18	Clutch Pilot Tool(for Aligning 10 Spline Clutch)	63-7	5.00
55-22	Caliper Pad Clips(2) holds Pistons In To Install Caliper And Brake Pads(pr)	65-7 1 PR	14.00Pair
55-23	63-64 Antenna Nut Spanner Wrench	63-4 1	9.00
55-24	Hard Top Wrench (for Glove Box) (photo online) x gone.	63-7 1	Xdiscontin.
55-24B	Draw String Cloth Bag (for Hard Top Wrench)	63-7 1	4.75
55-25	Special Screwdriver Tip For Visor Nuts	1	7.50
55-27A	x Hog Ring Pliers (for Seat Cover Installation)	1	discontinued
55-27B	Hog Rings (for Attaching Seat Covers (100pc)	1 SET	5.00 Set
55-28	Wrench For Hard Top Window Special 2-hole Screw	64-7 1	9.50
55-29	Battery Charger- Auto Level Adjusting "float" (leave It On- It Will Not Over Charge Battery!)	1	22.00
55-30	Seat Cover Installation Tool	63-7 1	10.00
55-32	Gas Tank Sender Removal Tool	63-82 1	24.00
55-37	Wrench- HL Sw,heater Cable Nut & Ww Switch Nut	63-7 1	13.00
55-38	Hood Support Pin (prevents Hood Closing In Wind)	63-7 1	10.00
55-39A	Steering Wheel Hub Puller x	1	N/A
55-39B	Harmonic Balancer/ Steering Wheel Hub Puller X	1	N/A
55-40	x Console Protector/cup Holder (clear Plastic)	1	n/a
55-40P	PW Console Protector/cup Holder (Plastic)	63-7 1	44.00
55-42A	X Upper Ball Joint Riveting Fixture	1	DISCONTINUED
55-42B	x Lower Ball Joint Riveting Fixture	1	DISCONTINUED
55-42C	Air Hammer Riveting Bit (for Steel Rivets)	1	30.00
55-43A	Ignition Switch Nut Wrench (3 Tabs)	63-5 1	9.00
55-43B	Ignition Switch Nut Wrench (4 Tabs)	66-7 1	9.00
55-44	Fin Comb(straighten Fins On Radiator, Condensor)	1	22.00
55-45	Rear Spindle Shim Set Up Tool	63-82 1	99.00
55-47	Spark Plug Gapping Gauge (ac)(pocket Size)	1	2.00
55-48	Firewall Insulation Plug Installation Tool	1	5.00
55-49	Front Shock Absorber Socket (3/8" Drive)	1	5.00
55-50	Brake Cylinder/master Cylinder Hone(1/2"-2-1/4")	1	15.00
55-50B	Replacement Stones For Hone	1 SET	6.00 Set
55-51	Clutch Head Screwdriver (5/32") (use 55-51b)	63 1	N/A
55-51B	Clutch Head Screw Bit (5/32")	63 1	3.00
55-52	Tool to push Tach/speedo Cable Thru Grommet (for 37-16B & 16C)	63-4 1	7.00
55-53A	X 327 Oil Pickup Installation Tool	1	N/A
55-53B	427 Oil Pickup Installation Tool	1	8.00
55-54	X Top Compartment Spring Tool	63-7 1	N/A

**NO RETURNS ON ANY TOOLS**

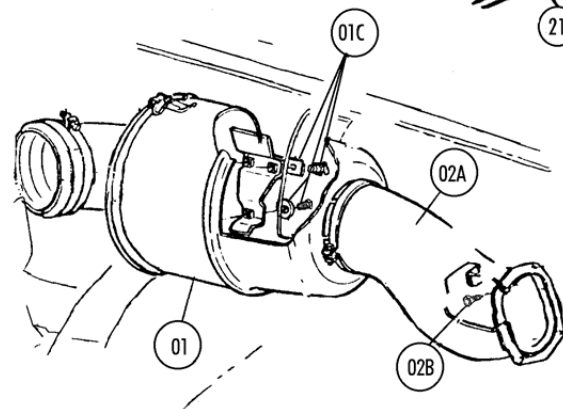
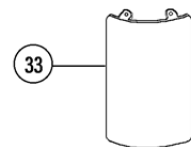
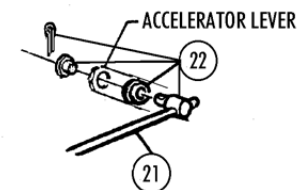
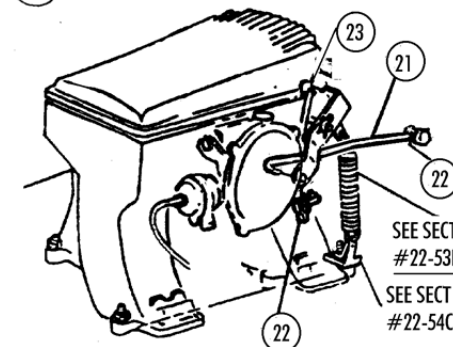
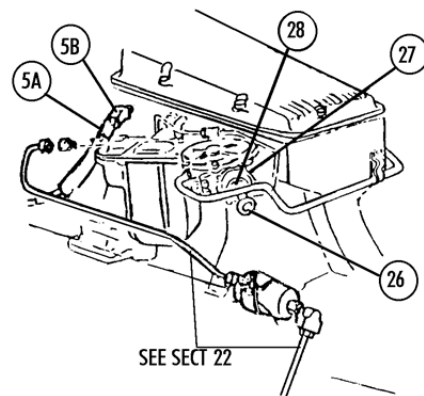
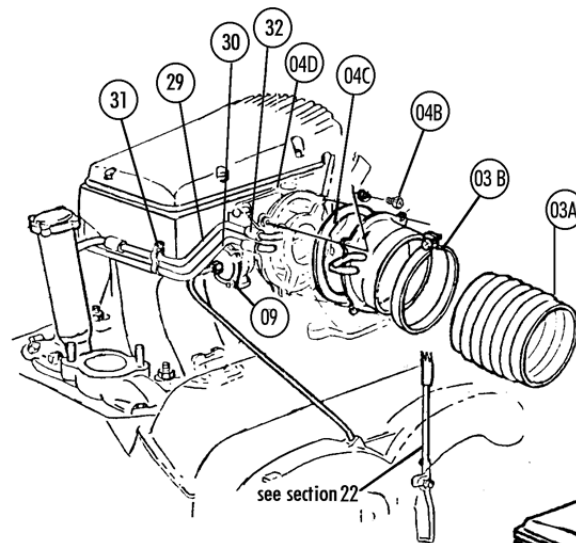


**AN EASY ONE PERSON WAY TO LIFT YOUR VETTE**

**PLASTIC COVER**

## Section #56 Fuel Injection

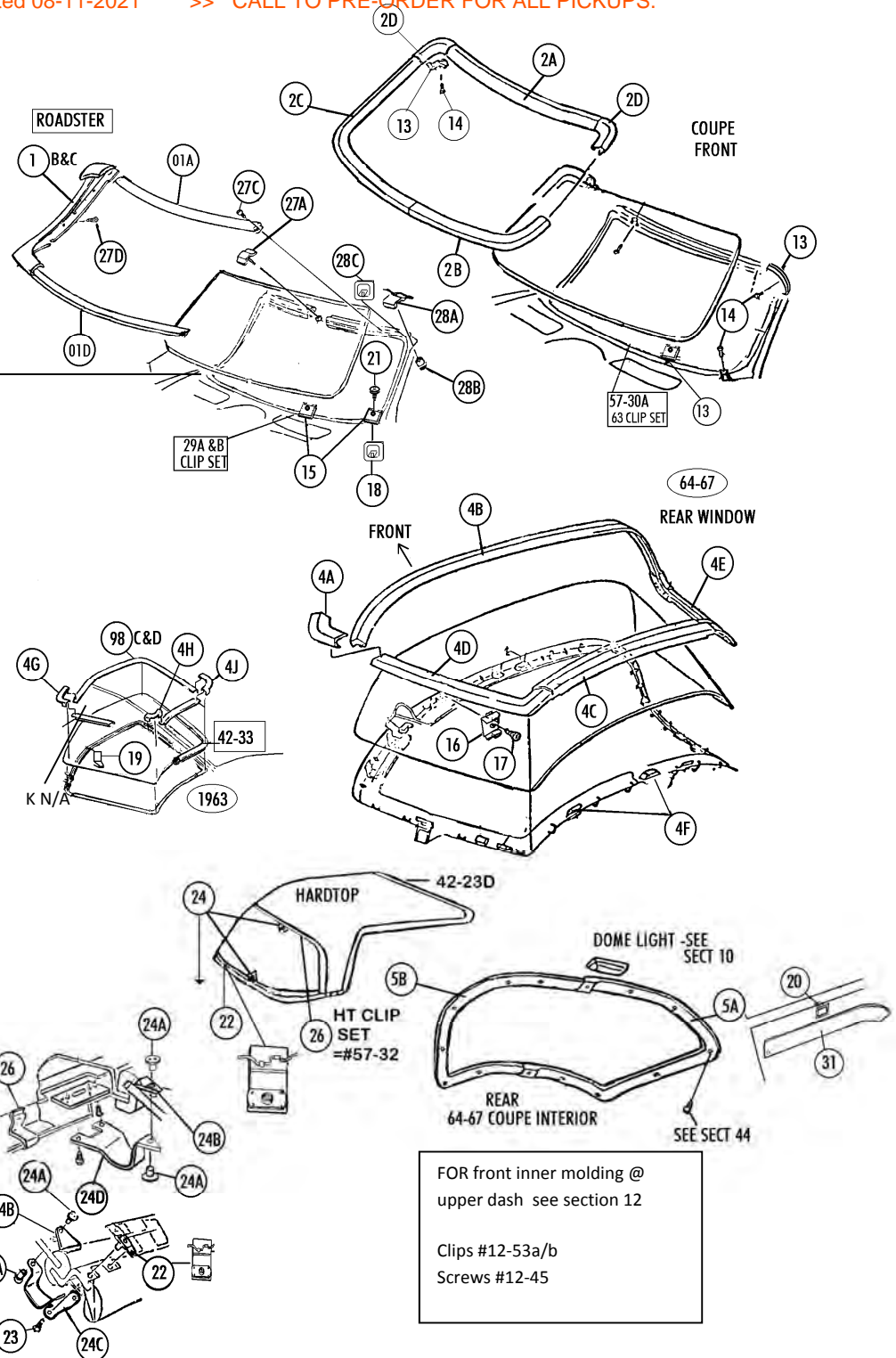
Sec-Part#	Name	Year	#Need	Price	Inc
56-01A/B	56-02A F.I. Air Cleaner & S-tube	63,64-65	1		N/A
56-01C	F.I. A/CL Mounting Plate & Bolt Set	63-5	1 SET	12.00	Set
56-02A	F.I. S-tube	63-5	1		N/A
56-02B	S-tube Mounting Bolts (4 Pc) (replacement)	63-5	1 SET	2.00	Set
56-03A	F.I. A/CL Hose (thick) (1/8"thick)	63	1	95.00	
<b>56-03B</b>	<b>X F.I. A/CL Hose Clamps (PanHead Screw &amp; Stamp)pr</b>	63-5	1 PR		DISCONTINUED
56-03C	F.I. A/CL Hose (thin) (use Thick 56-03A)	64-5	1		N/A
56-03D	F.I. Air Cleaner Screen Only	63-5	1		N/A
<b>56-03E</b>	<b>F.I. Air Cleaner Foam Element (A163C embossed)</b>	63-5	1	<b>38.00</b>	
56-04B	F.I. Air Cleaner Adapter Mounting Screw (4)	63-5	1 SET	3.00	Set
56-04C	F.I. Air Cleaner Adapter Gasket	63-5	1	3.25	
56-04D	F.I. Air Meter Adapter Gasket	63-5	1	4.00	
56-05A	F.I. PCV Valve	62-4E	1	35.00	
56-05B	F.I. PCV Valve Elbow	63	1	10.00	
56-05C	63 F.I. PCV Hose (no logo,no ribs)	63	1	4.00	
56-06A	F.I. Plenum Plug- No P/B	63-5	1	10.50	
56-06B	X F.I. Plenum Vacuum Fitting Elbow- P/B	63-5	1		N/A
56-07A	x F.I. Fuel Meter "T" Fitting	63-7	1	<b>15.00</b>	
56-08A	F.I. Distributor Mounting Spacer	63-5	1	30.00	
56-08B	F.I. Fuel Meter Drive Cable & Casing	63-5	1	80.00	
56-08C	F.I. Fuel Meter Cable Only	63-5	1	30.00	
56-08D	F.I. Distributor Holddown (see Sect 48-36)	63-5	1		
56-08E	F.I. Distributor Shaft (no gear)	63-5	1	65.00	
56-08F	F.I. Cable Fiber Washers (2)	63-5	1 PR	5.00	Pair
56-09A	F.I. Choke Cover Retainers (2+1) & Screws (3)	63-5	1 SET	15.00	Set
56-09C	F.I. Choke & Face Plate X	63-5	1		N/A
56-09D	F.I. Choke Thermostat Baffle Plate	63-5	1	10.00	
56-09E	Choke Rod (FI)	63-5	1	10.00	
56-10A	x F.I. Nozzle Housings (8 Pc)X	63-5	1 SET		N/A
56-10B	F.I. Nozzle Seal Kit x	63-5	1 SET		N/A
56-11A	Vacuum Advance 90 Degree Elbow	63	1	3.50	
56-11B	F.I. Vacuum Advance Fitting	64-5	1	18.00	
56-11C	Clip For FI Vacuum Adv Line	63	1	12.00	
56-12	F.I. Pcv Vacuum Restriction Fitting	64-5	1	<b>25.00</b>	
56-13A	F.I. Crankcase Breather Tube	64-5	1	<b>110.00</b>	
56-13B	F.I. Breather Flame Arrestor	64-5	1	29.00	
56-13BN	Flame Arrestor (67/3x2)(64-5 FI)(n.o.s.)	64-5	1	39.00	
56-13C	Breather Tube/Flame Arrest Hose (FI)(no rib/ no logo)(1)	64-5	2	4.50	Each
56-14B	Plenum Cover Screw Washers (6)	63-5	1 SET	4.00	Set
56-15	x F.I. Rebuild Kit	63-5	1		n/a
56-17	Plenum <b>Leg Gaskets</b> (4 Pc)	63-5	1 SET	18.00	Set
56-18	F.I. Fuel Meter Pump Drive Shaft And Seal Kit	63-5	1	49.00	
56-18B	Seal Installing Tool (for 56-18 drive shaft/seal	63-5	1	10.00	
56-19	F.I. Nozzle Block Retainers (4 Pc)	63-5	1 SET	16.00	Set
56-20	<b>F.I. Oil Line Kit (prebent)</b> (NCRS Correct)	63-5	1	<b>49.00</b>	
56-21	F.I. Accelerator Rod	63-5	1	25.00	
56-22	(F.I. Accel Rod) Bushing,grommet,swivel,clip,cp	63-5	1 SET	8.00	Set
56-23	F.I. Accelerator Double Swivel Rod(replacement)	63-5	1	25.00	
56-24	F.I. Air Meter Rubber Elbow	63-5	1	12.00	
56-25	F.I. Fast Idle Cam Screw (correct)	63-5	1	5.00	
56-26	F.I. Cranking Signal Valve x	63-4	1		N/A
56-27	Fuel Enrichment Diaphragm Backing Plate #7014896	63-5	1	90.00	
56-28A	Fuel Enrichment Diaph Cover (CSV Hole)(63-64E)	63-4E	1	60.00	
56-28C	Fuel Enrichment Diaph Cover (no Hole)(64L-65)	64L-5	1		N/A
56-29	<b>F.I. Chrome Tube- Oil Fill Tube To A/CL Adapter</b>	63	1	<b>35.00</b>	
56-30	<b>X F.I. Chrome Tube- Fuel Meter To A/CL Adapter</b>	63-5	1		N/A
56-31A	<b>Clamp- Two Chrome Tubes To FI Dog House (zinc)</b>	63E	1	15.00	
56-31B	Clamp- Two Chrome Tubes To FI Dog House (chrome)	63L	1	18.00	
56-31C	Clamp- One Chrome Tube To FI Dog House	64-5	1		N/A
56-31D	SCREW ONLY (Triangle headmark) for FI clamp	63	1	1.50	
56-32	<b>Rubber Tubing- FI Idler Air (7 Pc Set)</b>	63-5	1 SET	25.00	Set
56-33	F.I. Fuel Meter <b>Heat Shield</b>	63-5	1	14.00	
56-34	Seal- FI Distributor Lower Housing Cross Shaft	57-65	1	12.00	



# Section # 57 Window S.S. Moldings & Molding Clips

copyright 2021 licorveta.com 1800-466-6367 2018 - 2021 updated 08-11-2021 \*\*\* >> CALL TO PRE-ORDER FOR ALL PICKUPS.

Sec-part	Name	Year	#need/car	price	
57-01A	Windshield <b>Upper Molding- Roadster</b> Outer X	63-7	1	\$	N/A
57-01C	Windshield <b>Lower Molding- 63 Coupe &amp; 63 Roadster</b>	63	1		N/A
57-01D	Windshield Lower Molding- Roadster (exterior)	64-7	1	195.00	
57-02A3	Windshield Upper (exterior) Molding, 63 Coupe	63	1		N/A
57-02A	Windshield Upper (ext) Molding, 64-67 Coupe	64-7	1	130.00	
57-02B	X Windshield Molding Left Side & Lower, 64-67 Coupe	" "	1		N/A
57-02C	X Windshield Molding Right Side & Lower-64-67 Coupe	" "	1		N/A
57-02D	Windshield Molding Upper Corners- 64-67 Coupe (1)	64-7	2	49.00	Each
57-04A	Rear Window Corner Molding- Coupe (ORIG/NEW/NOS)	64-7	2	45.00	Each
57-04B,C,D,E	64-67 Coupe Rear Window Moldings x	64-7	1		N/A
57-04F	Rear Window Rubber Setting Spacers (12 Pcs)	64-7	1 SET	7.50	Set
57-04G	63 Coupe Rear Window Outer Fward Corner Molding	63	2	225.00	Each
57-04H	63 Coupe Rear Window Outer Rear Corner Molding	63	2	225.00	Each
57-04J	63 Coupe Rear Window Inner Lower Corner Molding X	63	2		N/A
57-05A	xRear Window Interior Molding- Coupe (LH)	64-7	1		X
57-05B	x Rear Window Interior Molding- Coupe (RH)	64-7	1		X
44-02	Coupe Rear Window interior <b>molding screw set (18)</b>	64-7	1	\$ 5.00	
57-11	63 Coupe Upper & Lower Windshld Molding Clips(24 Pc)	63	1 SET	89.00	Set
57-12	63 Roadster Lower Windshield Molding Clips (13 Pc)	63	1 SET	48.00	Set
<b>57-13</b>	<b>64-67 Coupe Windshield Molding Clips (23+2)</b>	64-7	1 SET	60.00	Set
57-13A	X Coupe Windshield SQUARE Molding Clip (1 Clip) SETS ONLY	64-7	23		X
57-13B	Coupe Windshield Corner Molding Clip (1)	64-7	2	8.00	Each
57-14	Screw Set For Coupe Windshield Clips (27 Pc)	64-7	1 SET	6.75	Set
57-15	Roadster Windshield Molding Clips(11 Lower Only)	64-7	1 SET	23.00	Set
57-16	<b>Coupe Rear Window Molding Clip Set (24 Pc)</b>	64-7	1 SET	<b>26.00</b>	Set
57-17	Screw Set For Coupe Rear Window Clips (24 Pc)	64-7	1 SET	6.00	Set
57-18	Wshield Side Mldg Lower Clips 2(63-7 Rdstr,63C)	63-7	1 PR	18.00	Pair
<b>57-19</b>	<b>63 Coupe Rear Window Molding Clip Set (26 Pc)</b>	63	1 SET	<b>145.00</b>	Set
57-19B	Coupe Rear Window Molding Clip (1)	63	26	7.00	Each
57-20	<b>Clip-(1) Coupe Interior Molding Over Door (57-31)</b>	64-7	2	8.00	Each
57-21	Screw Set For Roadster Lower Mldg Clips (11)	64-7	1 SET	2.75	Set
57-22A	Clip For Hardtop Rear Lower Molding (1)	63-7	10	10.50	Each
<b>57-22B</b>	<b>Clip For Hardtop Rear Lower Molding (10 Pc)</b>	63-7	SET	100.00	Set
57-23	Screws For Hardtop Rear Lower Molding & W/S (10)	63-7	1 SET	7.50	Set
57-23B	Screw Set For Hardtop Outer Side Moldings (6)	63-7	1 SET	2.00	Set
57-24A	Hardtop Rear Window Special Screw & Nut (1+1)	64-7	2 PR	15.00	Pair
57-24B	Outer Reinforcement- Hard Top Rear Window Screw	64-7	1 PR	12.00	Pair
57-24C	Lower Inner Reinforcement- Hard Top Rear Window	64-7	1	20.00	
57-24D	Upper Inner Reinforcement- Hard Top Rear Window	64-7	1	20.00	
57-25	63c Side Windshield Trim Screws(in Door Jamb)(8)	63	1 SET	<b>6.00</b>	Set
57-26	<b>Hardtop Rear Window Upper Molding Clips (12 Pc)</b>	63-7	1 SET	<b>75.00</b>	Set
57-27A	Roadster Windshield Upper Mldg Retainer & Nut	63-7	6	<b>10.00</b>	Each
57-27B	Nuts For Roadster Upper Molding Clips (6)	63-7	1 SET	1.50	Set
57-27C	Rdstr Windshield Upper Molding Screws (2)	63-7	1 PR	1.00	Pair
57-27D	Rdstr Windshield Pillar Retainer Screws (8)	63-7	1 SET	6.00	Set
57-28A	Roadster Wdshld Side Molding Upper Retainer	63-7	2	12.50	Each
57-28B	Rdstr W/S Side Mldg Retainer Screw & Spacer(2/2)	63-7	1 SET	12.00	Set
57-28C	Clips For Coupe Side Moulding Upper (pr)	63	1 PR	18.00	Pair
57-29A	<b>63 Roadster Windshield Molding Clip &amp; Screw Set</b> (includes 57-12,18,(6)27,(2)28a,28b,25)	63	1 SET	<b>\$ 160.00</b>	Set
57-29B	<b>64-67 Roadster Windshield Molding Clip &amp; Screw Set</b> (includes #'s 57-15,18,21,(6)27a,(2)28a,28b)	64-7	1 SET	<b>\$ 135.00</b>	Set
57-30A	<b>63 Coupe Windshield Molding Clip Set (28 Pc)</b> 57-11,57-18(2),28C(2),57-25	63		\$ 155.00	Set
<b>57-31</b>	<b>X Coupe Headliner Moldings Over Door (pr) (new)</b>	64-7	1 PR		X N/A
57-32	<b>Hardtop Molding &amp; W/S: Clip and Screw Set</b> =#42-23D,57-22B,57-23,57-23B,57-26 (NOT#57-24...)	63-7		\$ 228.00	
<b>57-98</b>	<b>&gt; NOS And Used Moldings, Coupe And Hardtop nos= new old stock (orig GM moldings)</b>				
57-98O	HT Inside Over Side Window RH (NOS) 3827170 Molding	63-7	1	\$ 150.00	
57-98PL	HT Inside Behind Side Window Lh (n.o.s.) 3727171 Molding	63-7	1	100.00	
57-98PR	HT Inside Behind Side Window RH (NOS) 3827172 Molding	63-7	1	100.00	
57-98S	Hardtop Rear Window Lower Molding LH (NOS) 3827181 Molding	63-7	1	150.00	
57-98U	Hardtop Rear Window Center Lower Mldg (n.o.s.) 3827183 Molding	63-7	1	100.00	
57-98V	HT Lower Corner Rr Window Mldg RH (NOS) 3828308 Molding	63-7	1	75.00	
57-98VL	HT Lower Corner RR Window Mldg Lh (nos)#3828307	63-7	1	75.00	
57-98W	Hardtop Inside Rear Window LH (n.o.s.)#3837697	63-7	1	125.00	
57-98X	Hardtop Inside Rear Window RH Mldg (NOS)#3837698	63-7	1	125.00	
57-98Y	Hardtop Inside Front Over Latch Lh (nos)#3827175	63-7	1	50.00	
57-98Z	Hardtop Inside Front Over Latch RH (NOS)3827176	63-7	1	50.00	



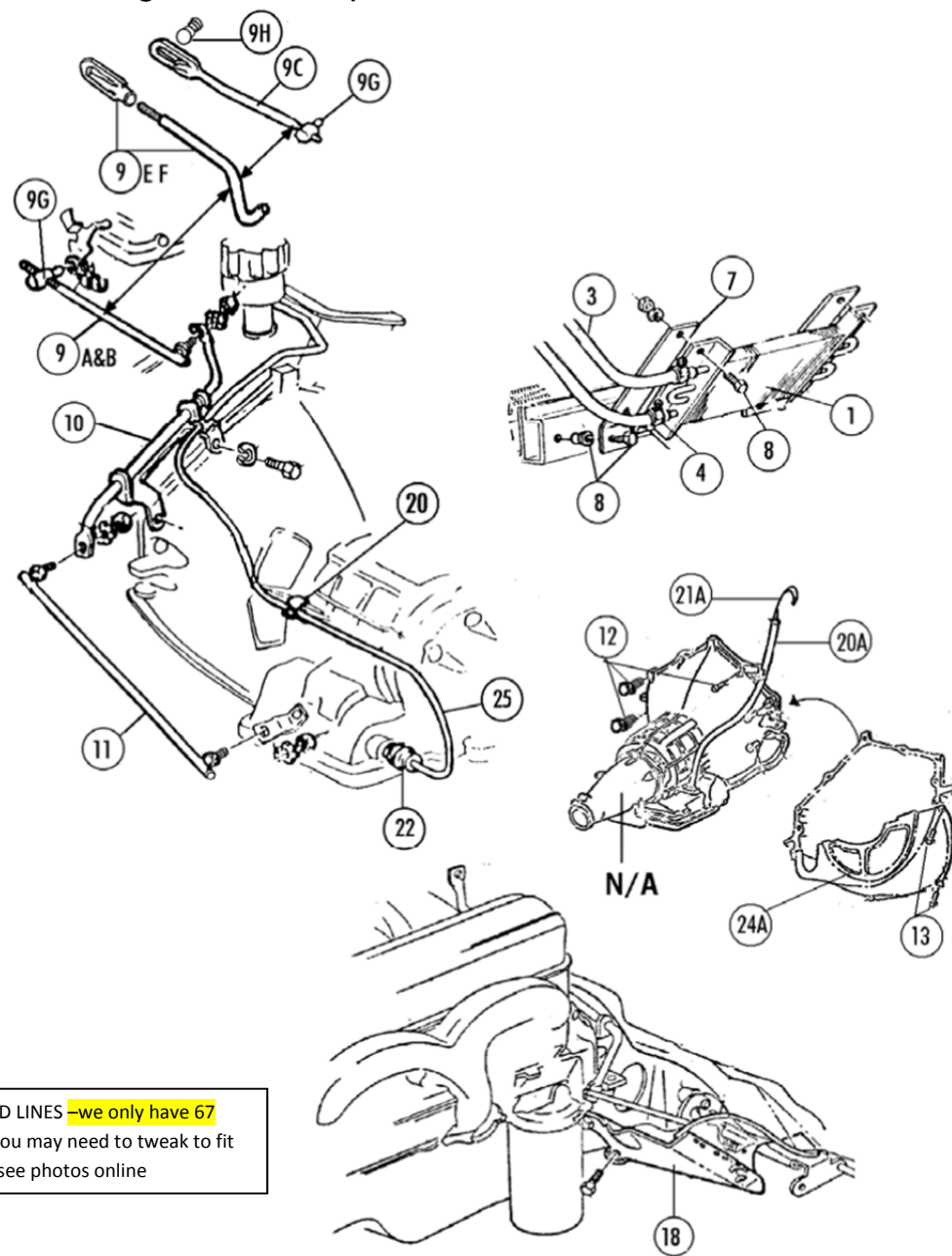
FOR front inner molding @ upper dash see section 12  
Clips #12-53a/b  
Screws #12-45



## Section 58 Powerglide: Auto Transmission Cooler • Kick Down Linkage • Trans Dipsticks•Modulator Lines

Sec-part Name	Year	#need/car	Price
<b>58-01 Auto Trans Cooler</b> (327) (good Replacement)	63-7	1	\$ 95.00
58-02A Steel Lines (327) (pr) (Auto Trans Cooler)	63-7	1 PR	72.00 Pair
58-02B Steel Lines (427)(4 Pc) (auto Trans Cooler)	66-7	1 SET	85.00 Set
58-03A Auto Trans Cooler Hoses (327)(pr)	63-7	1 PR	20.00 Pair
58-03B Auto Trans Cooler Hoses (427)(pr)	66-7	1 PR	20.00 Pair
58-04 X Auto Trans Cooler Hose Clamps (4 Pc) X NO MORE	63-7	1 SET	N/A
58-05 A/T Cooler Line Clips (hold Lines Together)(3 Pc	63-7	1 SET	14.00 Set
58-06 A/T Cooler Line Clamps & Bolts (RBW) (to Frame)	63-7	1 SET	3.50 Set
58-07A Auto Trans Cooler Brackets (327)(pr)	63-5	1 PR	12.00 Pair
58-07B Auto Trans Cooler Brackets (327)(pr)	66-7	1 PR	12.00 Pair
58-08 X A/T Cooler Bolt (RBW), Nut & Anchor Set (327)	63-7	1 SET	N/A
58-09A Auto Kick Down <b>Rod- Upper</b> 63-65 250hp	63-5	1	\$ 40.00
58-09B Auto Kick Down Rod- Upper 63-65 300hp	63-5	1	40.00
58-09C Auto Kick Down Rod- Upper 66-67 327	66-7	1	40.00
58-09E Auto Kick Down Rod- Upper 66-67 427/390hp)(2 Pc)	66-7	1	90.00
58-09F Auto Kick Down Rod- Upper 67 427/400hp (2 Pc)	67	1	90.00
58-09G <b>Swivel and Clip</b> for 327 Auto Kick Down Upper Rod	63-7	1	7.50
58-09H <b>Swivel Stud</b> On Carb With Auto (327/427)	66-7	1	10.00
58-10 Auto Kick Down <b>Crank Assembly</b>	63-7	1	55.00
58-11A Auto Kick Down <b>Swivel Rod- Lower</b> (327)	63-7	1	35.00
58-11B Auto Kick Down Swivel Rod- Lower (427)	66-7	1	35.00
58-12 Powerglide To Engine Mounting Bolts (repl)	63-7	1 SET	\$ 3.00 Set
58-13 Inspection Plate Bolts (powerglide)(4)	63-7	1 SET	4.00 Set
58-18 x Powerglide Linkage Metal & Rubber Shield x	66-7	1	n/a
58-19B <b>Powerglide Master Kit</b> (19A+brake Band, valve Body Suction Screen)	63-7	1	\$ 140.00
58-19C Powerglide Filter & Pan Gasket	63-7	1	14.00
58-20A X Powerglide Dipstick Tube (327) Or (66 Early 427)	63-7	DISCONTINUED	
58-20B Powerglide Dipstick Tube (427 After 11/65)	66L-7	1	35.00
58-20C P/G Modulator Line <b>Clips</b> To Dipstick Tube(repl)	67	1 PR	7.00 Pair
58-20D <b>Clips</b> To Pg Crank & Case For Modulator Line	63-5	1 PR	7.00 Pair
58-20E <b>Clips</b> To Pg Crank & Case For Modulator Line	66	1 PR	7.00 Pair
58-21A Powerglide Dipstick 63-67 Early/327)(til 12/66) And 66E 427 Til 11/65)	63-7E	1	50.00
58-21B Powerglide Dipstick (67 Late/327)(after Dec 66)	67L	1	50.00
58-21C Powerglide Dipstick (66 Late/427)(after Nov 65)	66L	1	50.00
58-21D Powerglide Dipstick (67/427)	67	1	50.00
58-22A Modulator	63-7	1	32.00
58-22B Modulator Gasket	63-7	1	2.00
58-24A x Powerglide Inspection Metal Pan (except 427)	63-7	1	discontinued.
>> please look at photo online.			
58-24B xPowerglide Inspection Pan (exc 427)(plastic Repl)	63-7	1	N/A
58-24C xPowerglide Inspection Pan (66-7/427 Only)(metal)	66-7	1	N/A
58-25A <b>Modulator Line</b> (63 Thru Jan 64) (welded T) x no more	63-4E	1	N/A
58-25B Modulator Line (after Jan 64)(welded T) - no more -	64L-5	1	N/A
58-25C Modulator Line (2 Pc) (last 1) - no more -	66	1	N/A
58-25E Modulator Line 1967 in stock.	67	1	\$ 65.00
58-27 Powerglide Rear Yoke Seal	63-7	1	\$ 9.75
58-28A Powerglide Transmission Fluid Pan (used)/W Drain Flexplate (auto Flywheel)(see 28-61D&E)	63-7	1	75.00
58-28B Powerglide Transmission Fluid Pan Screws (14)	63-7	1 SET	20.00 Set
58-28C Powerglide Drain Plug & Seal (A Headmark)	63-7	1	10.00
58-28D Powerglide Magnetic Drain Plug & Seal (correct Head)	63-7	1	15.00
58-29 X Powerglide Range Selector Levers & Shafts NO MORE.	63-7	1 PR NO MOREX	

MOD LINES -we only have 67  
& you may need to tweak to fit  
<< see photos online



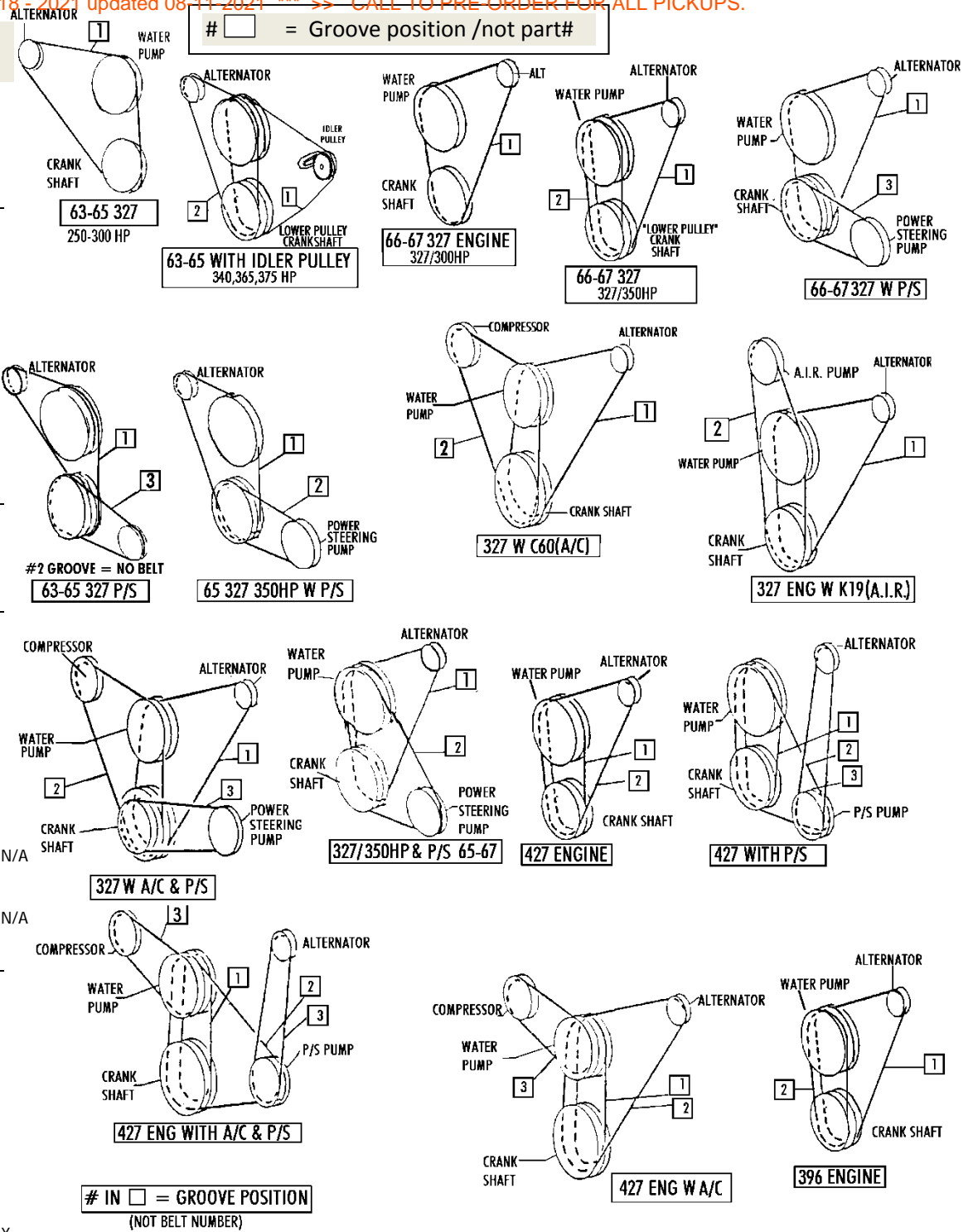
# Section 59 Belts

copyright © 2021 corvette.com 1800-466-6367 2018 - 2021 updated 08/11/2021 \*\*\* >>> CALL TO PRE ORDER FOR ALL PICKUPS.

## All Correct Quanta Brand Belts With Embossed Numbering

Original Features: Cloth Wrapped With Indented Markings. Part Numbers, Sizes, Symbols, Codes As Applicable, To Original Specs.

Part#	Name	Year #/Car	Price
59-01	Alternator Belt 250 & 300hp	63 1	\$ 34.00
59-02	Alternator Belt 63 340 & 360hp	63 1	34.00
59-03	Water Pump/idler Belt 340 & 360hp	63 1	34.00
59-04	Power Steering Pump Belt	63 1	25.00
59-05	Air Conditioning Compressor Belt	63 1	35.00
59-06	Alternator Belt 250 & 300hp (no A/C)	64-5 1	31.00
59-07	Alternator Belt 365hp (no A/C)	64 1	31.00
59-08	Alternator Belt 365hp (no A/C)	65 1	31.00
59-09	Alternator Belt 375hp (FI)	64-5 1	34.00
59-10	Alternator Belt 250-300hp (A/C)	64-5 1	30.00
59-12	Alternator Belt 350-365hp (A/C)	64-5 1	33.00
59-13	Alternator Belt 350hp (no A/C)	65 1	34.00
59-14	Water Pump/idler Belt 64 365hp	64 1	26.00
59-15	Water Pump/idler Belt 65 365hp (&65 350hp?)	65 1	30.00
59-16	Water Pump/idler Belt 375hp (64-65 FI)	64-5 1	34.00
59-17	Power Steering Pump Belt (all 64-65E)	64-5E 1	25.00
59-18	Power Steering Pump Belt (all 327)	65L 1	25.00
59-19	Air Conditioning Compressor Belt	64-5E 1	35.00
59-20	Air Conditioning Compressor Belt (327) (2/65>)	65L 1	38.00
59-21	Alternator Belt 396/425hp (no P/S)	65 1	35.00
59-22	Water Pump Belt 396/425hp (no P/S Or P/S)	65 1	25.00
59-23	Alternator Belt 396/425hp (P/S)	65 1	28.00
59-24	Water Pump Belt 396/425hp (P/S) (see 59-22)	65 1	25.00
59-25	Power Steering Pump Belt 396/425hp (P/S)	65 1	28.00
59-26	Alternator Belt 66-67 300 hp (no A/C)	66-7 1	30.00
59-27	Alternator Belt 66-67 350hp (no A/C)	66-7 1	33.00
59-28	Alternator Belt 300-350hp (A/C) or (A/C & P/S)	66-7 1	32.00
59-29	Alternator Belt 350hp With P/S, No A/C	65-7 1	33.00
59-30	Alternator Belt 300 & 350hp With A.I.R. (smog)	66-7 1	30.00
59-53A	Water Pump Belt 327/350hp (no Ac No Ps) (34-3/8")	66-7 1	30.00
59-53B	Water Pump Belt 327/350hp (no Ac No PS) Shorter = 33-5/8"	66-7 1	30.00
59-31	Air Cond Compressor Belt 300 & 350hp (no P/S)	66-7 1	39.00
59-32	Air Cond Compressor Belt 300 & 350hp (P/S)	66-7 1	35.00
59-33	Power Steering Pump Belt 350hp (no A/C)	66-7 1	28.00
59-34	Power Steering Pump Belt 300hp(all) & 350hp(A/C)	66-7 1	30.00
59-35	X A.I.R.(smog) Pump Belt 300hp (no A/C)	66-7 1	
59-36	A.I.R.(smog) Pump Belt 350hp (no A/C)	66-7 1	25.00
59-37	A.I.R.(smog) Pump Belt 300hp (A/C)	66-7 1	24.00
59-38	X A.I.R.(smog) Pump Belt 350hp (P/S)	66-7 1	
59-39	A.I.R.(smog) Pump Belt 350hp (A/C & P/S)	66-7 1	24.00
59-40	A.I.R.(smog) Pump Belt 350hp (A/C)	66-7 1	24.00
59-41	Alternator Belt 427 (no A/C, no P/S)	66-7 1	32.00
59-42	Alternator Belt 427 (A/C)	66-7 1	31.00
59-43	Alternator Belt 427 (P/S No A/C) (from P/S Pump)	66-7 1	28.00
59-44	Alternator Belt 427 (P/S & A/C) (from P/S Pump)	66-7 1	28.00
59-45A	Water Pump Belt 427 (no A/C) 3837810LV 35-1/8"	66-7 1	28.00
59-45B	Water Pump Belt 427 (no A/C) 3837810sv 34-7/8"	66-7 1	28.00
>> standard belt is 59-45A, sometime people need shorter version SV "b" (we can't tell you which you will need, either by A or both)			
59-46	Water Pump Belt 427 (A/C)	66-7 1	28.00
59-47	Power Steering Pump Belt 427 (no A/C)	66-7 1	28.00
59-48	Power Steering Pump Belt 427 (A/C)	66-7 1	30.00
59-49	x Air Conditioning Compressor Belt 427	66-7	discontinued
59-50	X A.I.R.(smog) Pump Belt 427 (no A/C)	66-7 1	X
59-51	X A.I.R.(smog) Pump Belt 427 (A/C)	66 1	X
59-52	X A.I.R.(smog) Pump Belt 427 (A/C)	67 1	X



## Date Codes

Monthly Production And Trim Tag Body Date Letter Codes  
 On Tag Under Glove Compartment  
 STL = BODY ASSEMBLED IN ST. LOUIS  
 AOS = BODY ASSEMBLED BY AO. SMITH CO., IONIA, MICHIGAN

### DATE CODES FOR STARTER, DISTRIBUTOR, ALTERNATOR, RADIATOR, EXP TANK, VR:

1963				LAST CAR	MONTHLY
MONTH	YEAR	ST LOUIS	AOS	/MONTH SERIAL #	PRODUC-TION
SEPT	62	A		100675	675
OCT	62	B		102756	2081
NOV	62	C		104047	1291
DEC	62	D		105972	1925
JAN	63	E		107976	2004
FEB	63	F		109814	1838
MAR	63	G		111833	2019
APR	63	H		114128	2295
MAY	63	I		116409	2281
JUNE	63	J		118524	2115
JULY	63	K		120990	2466
AUG	63	L		121513	523

1966				LAST CAR	MONTHLY
MONTH	YEAR	ST LOUIS	AOS	/MONTH SERIAL #	PRODUC-TION
SEPT	65	A	B	102031	2031
OCT	65	B	C	104384	2353
NOV	65	C	D	107186	2802
DEC	65	D	E	109892	2706
JAN	66	E	F	112587	2695
FEB	66	F	G	115283	2696
MAR	66	G	H	118091	2808
APR	66	H	I	120664	2573
MAY	66	I	J	123016	2352
JUNE	66	J	K	125469	2453
JULY	66	K	L	127720	2251

JAN.....	A
FEB.....	B
MAR.....	C
APR.....	D
MAY.....	E
JUN.....	F
JUL.....	G
AUG.....	H
SEP.....	J
OCT.....	K
NOV.....	L
DEC.....	M

1964				LAST CAR	MONTHLY
MONTH	YEAR	ST LOUIS	AOS	/MONTH SERIAL #	PRODUC-TION
SEPT	63	A		101741	1741
OCT	63	B		104045	2304
NOV	63	C		106063	2018
DEC	63	D		108091	2028
JAN	64	E	A	110297	2206
FEB	64	F	B	112322	2025
MAR	64	G	C	114570	2248
APR	64	H	D	116865	2295
MAY	64	I	E	118805	1940
JUNE	64	J	F	120920	2115
JULY	64	K	G	122229	1309

1967				LAST CAR	MONTHLY
MONTH	YEAR	ST LOUIS	AOS	/MONTH SERIAL #	PRODUC-TION
AUG	66	A	A	?	?
SEP	66	B	B	102110	2110
OCT	66	C	C	102685	575
NOV	66	D	D	104981	2296
DEC	66	E	E	107110	2129
JAN	67	F	F	109465	2355
FEB	67	G	G	112264	2799
MAR	67	H	H	115316	3052
APR	67	I	I	117395	1079
MAY	67	J	J	119747	2352
JUNE	67	K	K	122214	2467
JULY	67	L	L	122940	726

### DATE CODES FOR BLOCK, REAR, HEADS EXH. MANIFOLDS, WATER PUMP, INTAKE:

JAN.....	A
FEB.....	B
MAR.....	C
APR.....	D
MAY.....	E
JUN.....	F
JUL.....	G
AUG.....	H
SEP.....	I
OCT.....	J
NOV.....	K
DEC.....	L

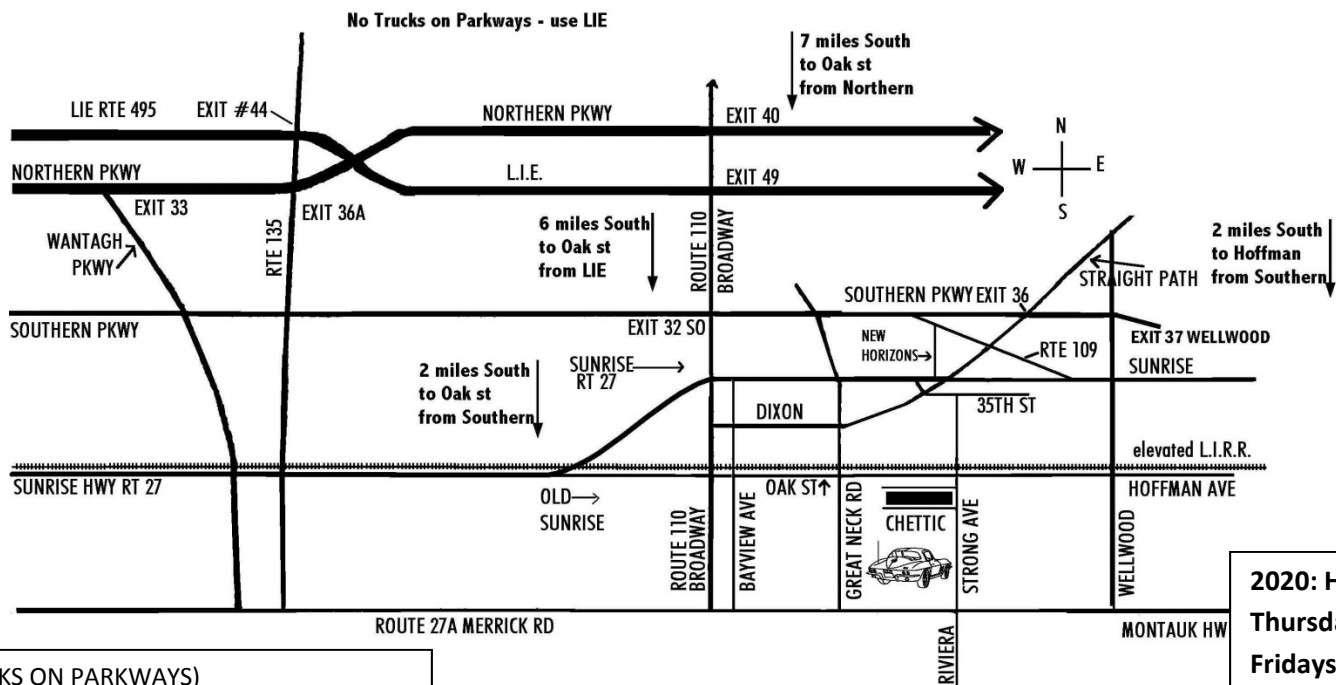
1965				LAST CAR	MONTHLY
MONTH	YEAR	ST LOUIS	AOS	/MONTH SERIAL #	PRODUC-TION
AUG	64	A	A	100227	227
SEP	64	B	B	101426	1198
OCT	64	C	C	STRIKE	0
NOV	64	D	D	103347	1922
DEC	64	E	E	105754	2407
JAN	65	F	F	108442	2688
FEB	65	G	G	111059	2617
MAR	65	H	H	113936	2877
APR	65	I	I	116516	2560
MAY	65	J	J	118753	2237
JUNE	65	K	K	121216	2463
JULY	65	L	L	123562	2346
AUG	65	L	L	123564	2

CORVETTE APPROXIMATE SPARK PLUG WIRE DATING		
YEAR	SERIAL NUMBER	DATE
1963	100001 THRU 109814	3-Q-62
	109815 THRU 121513	1-Q-63
1964	100001 THRU 112322	3-Q-63
	112323 THRU 122229	1-Q-64
1965	100001 THRU 111059	3-Q-64
	111060 THRU 123564	1-Q-65
1966	100001 THRU 115283	3-Q-65
	115284 THRU 127720	1-Q-66
1967	100001 THRU 112264	3-Q-66
	112665 THRU 122940	1-Q-67

**Note: there is a calendar in catalog opposite section 27**  
 Early and Late varies by different items, (usually only the first month or two of production is "early", refer to the "Corvette Restoration Guide" by Noland Adams for this type of information - It notes many cut off dated for a number of items. It is a very useful resource. (Sold in Section 2 of this catalog.)

We do not sell Tags nor Rivets:  
 Tags located under Glove Box.  
 63-64 VIN/serial # Tag were attached with 2 spot welds.  
 Early 65 VIN tags were attached with 2 round head rivets.  
 Later 65, 66,67 VIN Tags were attached with Rosette-type rivets.  
 Trim Tags (states Color option)  
 Were attached with (2) 3/16" pop rivets  
 For all 63-67 Corvettes.  
 >>Search Online "TrimTags" for Vendor.





To Long Island: - NO TRUCKS ON PARKWAYS)

George Washington Bridge to Throgs Neck Bridge to Clearview Expressway to LIE (495) East  
-or- Verrazano Bridge to Belt Pkwy to Southern Pkwy East

**Trucks:** no trucks on Parkway on Long Island

Take Geo Washington Bridge  
To Throgs Neck Bridge to LIE(495 East)  
to Route 110 South (7 miles)  
to Oak St (1<sup>st</sup> light after RR Overpass, south of RT27 Sunrise Hwy).  
-Left on Oak st, east 1.5 miles, 3<sup>rd</sup> light is Strong Ave, Turn Right, 2 blocks south on RH Side –park in lot on Chettic St.

**ON LONG ISLAND –from the west (cars)**

From LIE (RTE 495) or Northern Pkwy, To Wantagh Parkway (south/Jones Beach) to southern Pkwy (East) to Exit 32. Route 110 south (broadway) south 1.5 miles to Oak Street (Amityville).  
Left on Oak , 3<sup>rd</sup> light is Strong Ave, Turn Right, 2 blocks south on RH side –park in lot on Chettic)

**From the East**

Southern Parkway (west to Wellwood Ave exit 37 SOUTH.  
(or Sunrise West to Wellwood Ave South)  
Turn right (west) under elevated RR, onto Hoffman(traffic light) 3<sup>rd</sup> light/Valero Gas is Strong Ave. Turn Left, 2 blocks south on  
1445 S Strong Ave, Copiague NY 11726

**Or Montauk Hwy to Strong Ave, heading North.**

we will be on the Left side before you come to Elevated RR or Gas station.

**Or Sunrise to Straight Path – South**

Go one block to 35<sup>th</sup> st – turn left  
Turn right @ 1<sup>st</sup> light = Strong Ave – (going South) residential area) go south under RR -  
2 blocks past elevated RR on Right

**2020: Hours Monday thru Thursday 8:30 – 2:30 closed Fridays, counter by appt – call with order to arrange.**

**We are closed on Federal Holidays – call 1<sup>st</sup> to check**

You will have to look up part #s when you come in

Please call in your order ahead for pickup orders

Counter by appt only

Call with order, part #s and payment to arrange pickup.

Monday – Thursday 9-2pm.

Closed Friday.

## Catalog Index

<b>Part.....Section #'S</b>					
A-Arms .....	49	Crankcase Vent Tubes.....	22	Fuse Block Gasket,Screws .....	39
Accelerator Levers .....	28	Dash -Radio Area & Dash Pads		Fuses-Color Coded.....	43
Accelerator Pedal.....	28	Dash Cluster.....	39	Gaskets-Firewall/Heater Box ..	37
Accelerator Rods .....	22	Dash Indicators .....	12	Gauges .....	39
Accelerator Springs, Brackets .	22	Decals.....	2	Generator -See Alternator .....	23
Air Cleaner .....	22	Deck Lid .....	19	Glass .....	57
Air Conditioning .....	34,35,36	Differential .....	51	Glove Box .....	13
Alternator, Pulley, Brackets ....	23	Dimmer Switch,Grommet.....	39	Grab Inserts.....	13
Antenna .....	29	Dipsticks&Tubes-Oil .....	38	Grill .....	3
Armrests-Center Console.....	15	Dipstick & Tubes -Auto Trans..	58	Ground Straps.....	53
Armrests-Door.....	9	Distributor .....	48	Half Shafts .....	51
Ash Tray .....	15	Distributor Shielding.....	30,31	Hard Top Molding Clips.....	57
Auto Trans. Cooler/Linkage ....	58	Dome Lights .....	10	Hard Top Mounting Hardware	19,57
Axle U-Joints .....	51	Door Hardware .....	9	Harmonic Balancers .....	24
Back Up Light Switch .....	32	Door Panel .....	9	Header Bars .....	54
Balancers-(Harmonic) .....	24	Door Sills.....	14	Head Bolts &Gaskets .....	21
Ballast Resistors .....	37	Drive Shafts.....	51	Headliners.....	19
Battery Access Cover .....	8	Ducts-A/C.....	36	Headlights.....	4
Battery Cables.....	43	Dust Shields .....	26	Heat Riser .....	33
Battery Trays .....	27	Dye, Interior.....	45	Heater Box; Inner,Outer .....	37
Bellhousing Bolts .....	28,38	Electrical Switches .....	39,15,18	Heater Core .....	37
Belts; Alt,A/C,P/S Etc.....	59	Emission (Pcv) .....	22	Heater Hoses .....	24
Blower Motor.....	37	Emblems .....	1	Heater Bezels , Knobs, Cables	12
Body Lift .....	55	Emergency Brake-See Park Brake		Heater Delete Plates,Gaskets .	37
Body Mount .....	53	.....	47	Hoods.....	54
Body Panels .....	54	Engine.....	21,22	Hood; Latches,Hinges,Bolts....	20
Books .....	2	Engine Compartment Seals.....	26	Hood Grills .....	1
Brake Blocks & Clips .....	52	Engine Mounts .....	38	Horns, Buttons, Relays.....	18
Brake Console .....	15	Evaporators-A/C .....	35	Hoses- Heater,Rad Overflow ..	24
Brake Lines .....	52	Exhaust Manifolds,Studs ..	22	Hoses-A/C,A/C Duct.....	35,36
Brake Pedal.....	28	Exhaust Manifolds,Pipes .....	33	Hose Clamps .....	21,24,25
Breather Tubes.....	22	Expansion Tank .....	24	Hubcaps .....	46
Bulbs -Dash.....	39	Expansion Valves-A/C.....	35	Idler Pulleys .....	21
Bumpers & Hardware.....	6	Exterior Trim .....	57	Ignition Plugs .....	22
Cables-Hood.....	20	Fans.....	24	Ignition Shielding .....	30,31
Cables- Parking Brake .....	47	Fan Belts .....	59	Ignition Switches,Nuts,Locks ..	39
Cables-Seat Belt Retaining .....	53	Fender Seals.....	26	Ignition Wires .....	43
Cables-Vent.....	12	Fiberglass.....	54	Insulation, Underdash.....	12
Calendar .....	27	Firewall Grommets/Seals .....	37	Insulation, Underbody .....	15
Capacitors .....	53	Fittings-A/C .....	35	Intake Manifold Bolt,Fittings ..	21
Car Covers .....	55	Fittings -Intake .....	21	Interior Moldings .....	57
Carburetors, Gaskets, Linkage	22	Flasher .....	43	Interior Screw Sets .....	44
Carpet .....	15	Floor Plugs .....	17	Jack.....	17
Carpet Supports/Wire Covers .	14	Floor Mats .....	15	Kick Panels.....	12
Chassis .....	53	Flywheel.....	28	Knobs:Radio,Heater,A/C .....	12
Choke Tubes, Rods, Springs...	22	Frame Sections,Brackets.....	53	Knobs: HI,Lighter,W.W.....	39
Clean Air Tubes .....	22	French Locks .....	22,51	Lenses-Dash Cluster .....	39
Clocks.....	12	Fuel Door & Bezels.....	5	License Mounting-Front.....	6
Clutch Linkage.....	28	Fuel Injection.....	56	License Mounting-Rear .....	7
Coils-Distributor.....	48	Fuel Gauge In Tank .....	5	Lights-Tail,License .....	5
Compressor-Air Cond.....	34	Fuel Hoses.....	5, 22	Lighters .....	39,55
Condensor -Air Cond.....	35	Fuel Filters & Brackets.....	22	Locks, Door,Gb,Ign,Tire 09,13,39,11	
Convertible Top & Hardware ..	19	Fuel Lines, Pump To Carb.....	22	Manuals.....	2
Console.....	15	Fuel Lines, Tank To Pump .....	5	Master Cylinders.....	52
Courtesy Light Brackets,Bulbs .	12	Fuel Pumps .....	22	Mirrors.....	10
Cowl Wire Clip Sets.....	37	Fuel Tank .....	5	Neutral Safety Switch .....	32
				Mufflers, Air Cond.....	35
				Mufflers, Exhaust .....	33
				Odometer.....	39
				Oil Canisters,Filter,Valves .....	38
				Oil Fill Tubes, Caps .....	21
				Oil Lines .....	38,56
				Oil Pans.....	38
				Pads, Brake, Clutch,Accel .....	28
				Paints.....	45
				Parking Lights.....	3
				Park Brake.....	47
				Parking Brake Shoes .....	52
				Patch, Label Pin ("Owner's") ..	2
				Pcv Fitting,Hoses,Valves.....	22
				Pedals & Pads.....	28
				Pinchwelts & Caps .....	19
				Power Window Switches,Cups	15
				Pulleys, .....	23,24
				Power Brake Boosters .....	52
				Power Steering .....	23,41
				Quarter Trim Panels-Rear .....	19
				Radiator Components.....	25
				Radiator Hoses .....	21
				Radiator Seals .....	26
				Radiator Shroud.....	25
				Radiator Supply Tanks .....	24
				Radiator Supports .....	25
				Radio Side Panels .....	12
				Radio & Speaker .....	12
				Rear Blower .....	19,37
				Rear End Covers.....	51
				Rear Storage Compartment ....	17
				Resistor,Ballast .....	37
				Rivets.....	54
				Rocker Moldings .....	14
				Rods-Nose/Grill/HI Support.....	3
				Rubber Stamps .....	2
				Seat Hardware & Mounting.....	16
				Seat Belts.....	16
				Seat Belt Retainers.....	15
				Seat Covers .....	16
				Shielding .....	30,31
				Shield, Bell Housing .....	28
				Shifter Boots,Retainers .....	15
				Shifter & Linkage .....	32
				Shocks- Front, Rear .....	49,51
				Shock- Steering .....	50
				Shrouds & Brackets,Radiator ..	25
				Side Exhaust.....	33
				Soft Top -See Convertible Top	19
				Spare Tire Tray, Cover .....	11
				Spark Plugs .....	22
				Speaker.....	12
				Speed Nuts Emblem,.....	01
				Heater,Lights .....	37,5
				Speedometer Cables .....	37
				Spindle-Rear.....	51
				Splash Shield-Front Disc .....	49
				Splash Shield-Rear(Park Brake)	
				.....	51
				Splash Shield-Rubber&Metal ..	26
				Springs -Coil .....	49
				Spring - Rear Leaf .....	51
				Stabilizer Hardware .....	40,49,50
				Starter Hardware.....	21
				Steering Box .....	18,50
				Steering Columns.....	18
				Steering Linkage .....	50
				Strut Arms .....	51
				Sun Visors .....	10
				Suspension- Front .....	49
				Suspension - Rear .....	51
				Tachometer Cables.....	37
				Tail Lights.....	5
				Tail Pipe Bezels .....	7
				Temperature Senders .....	22
				Thermostats & Housings.....	21
				Tie Rods .....	50
				Tie Strap Kits .....	24
				Timing Chain, Covers, Bolts....	38
				Tools .....	55
				Trailing Arms .....	51
				Transmission:Gears,Tags Etc .	32
				Transmission Mounts .....	38
				Transistor Ignition .....	48
				Universal Joints .....	51
				Vacuum Advance.....	48
				Vacuum Advance Lines .....	22
				Vacuum Fittings, In Intake.....	21
				Valence Panel Hardware .....	7
				Valve Covers,Bolts.....	22
				Vent Area-64-65 Coupe,Rear .	19,37
				Vent Doors, Grills .....	12
				Vent Cables .....	12
				Visors .....	10
				Voltage Regulator.....	26
				Water Pumps, Fittings .....	21
				Weatherstrips.....	42
				Weatherstrip Clips .....	42,57
				Wheel Bearings-Front .....	49
				Wheel Bearings-Rear .....	51
				Wheels .....	46
				Window Cranks .....	9
				Window Channels.....	42
				Window Glass .....	57
				Windshield Molding Clips.....	42,57
				W/S Molding Clips-Inner .....	12
				Windshield Washer,Wiper .....	8
				Wiper Motors .....	8
				Wire Tie Straps, Clips .....	37
				Wiring Harnesses, Diagrams ..	43
				Yokes -Rear, & Differential.....	51



# LONG ISLAND CORVETTE SUPPLY, INC

1445 STRONG AVE S., COPIAGUE NY 11726 PH 631-225-3000  
Fax: 1-631-225-5030 EMAIL: mail@licorvette.com

If you are emailing this to us  
Only write in last 4 of credit card

Sign , send copies as requested  
don't email card.Call us with complete#.

## Credit Card Authorization Form

(use this form If you want to ship to an address other than where your credit card is billed. )

**Fax form + Copy of a cardholder's driver's license\***

Cardholder's name: \_\_\_\_\_

We accept Visa, MasterCard, Discover (we don't take Amex)

Card #																			
--------	--	--	--	--	--	--	--	--	--	--	--	--	--	--	--	--	--	--	--

Expiration Date: \_\_\_/\_\_\_/\_\_\_ 3 digit Code on Back of Card \_\_\_\_\_

Issuing Bank name \_\_\_\_\_ bank phone # \_\_\_\_\_

### Statement/Billing Address of Credit Card:

Name on Card : \_\_\_\_\_

Your Billing Address: \_\_\_\_\_

City, State, Zip: \_\_\_\_\_

Po Box ? \_\_\_\_\_

Cardholders Phone No. ( ) \_\_\_\_\_

Your Phone No. ( ) \_\_\_\_\_ Fax ( ) \_\_\_\_\_

Email : \_\_\_\_\_

**\* Send copy of  
Your Driver's license**

>we want to see billing address. You  
can cross out  
license number and any other info.

**I hereby authorize Long Island Corvette Supply, Inc.  
to charge my above credit card and ship to this address.**

**(Place an "X" in the box(es) that apply)**

present and future orders or  1x only

**X > Signature of Cardholder:** \_\_\_\_\_

**All invoices are SHIPPED with the order**

You are responsible for retrieving all  
paperwork from the location to which you  
ship, and retain invoices for any returns.

Sales Tax is collected on all shipments to:  
NY,NJ,IL,MI,PA,VA

Option:  I authorize third party (Name) \_\_\_\_\_  
to place orders on my behalf to be charged and shipped to address below

**X > Signature of Cardholder:** \_\_\_\_\_

**Ship to Address:** c/o name \_\_\_\_\_

company name : \_\_\_\_\_

Address: \_\_\_\_\_

City, State, Zip: \_\_\_\_\_

phone # \_\_\_\_\_ att: \_\_\_\_\_

this is my work address  this is shop doing work on my car  other \_\_\_\_\_

Fill out the form once, use the same information (card#/address) and you are all set. If you order online or fax,  
enter your name **C/O** the shipping address in the address box and if you need to enter any notes there is a note field on  
the checkout screen. Thank you. **. This form is for your protection to prevent fraudulent charges.**

All information is kept confidential and billing address will be verified with your Bank.

**If you do not wish to fill out form, ship to your billing address . Note all orders ship via UPS (no PO Boxes)**

**This form will remain in effect through expiration date or until you notify us to revoke it.**

(revised July 2015)

>While we will do our best to ship to the requested address, from time to time mistakes happen and order may ship to your billing  
address, our system is not automated to handle multiple addresses.





# LONG ISLAND CORVETTE SUPPLY, INC

1445 STRONG AVE S., COPIAGUE NY 11726 PH 631-225-3000

**Fax to : 1-631-225-5030**

**Email mail@licorvette.com**

## If you wish to ship to an “alternate address” we need you to :



(no Amex), no paypal

**Option 1-** Call your credit card company and have them list a second “ship to” address in their records  
**+ SIGN APPROPRIATE SECTION ON FORM AND RETURN IT TO US. BY FAX.**

Most companies are able to do this, some can not. (If yours does not see below)  
Your credit card company’s phone # is usually on the back of the card.)

OR

### **Option 2**

>Fill out form, and send COPY OF Driv license showing address or a copy of the statement, showing the billing address

We have had a few problems in the past and need to protect you the cardholder as well as ourselves, from fraudulent charges and chargebacks.

Visa, Mastercard and Discover all require us to ship to your billing address,  
We will make this exception when you supply the requested information in writing via this form.

Please do not call us up and argue about this policy, it is not up to us, it is up to our credit card processor and your bank.  
We are making an exception by letting you fill out the form and allowing you to ship to this alternate address.

Pay attention to your texts and emails – you may get a request to confirm the transaction from YOUR BANK.

---

Thank you. 😊

## **Your address did not verify with the bank – please complete and return**

While we will do our best to ship to the requested address, from time to time mistakes happen and order may ship to your billing address, our system is not automated to handle multiple addresses. If you are shipping to your actual billing address – you don’t need this form If you don’t know the billing address, call phone # on back of your card and ask the bank.

**Or login to your online bank acct.**

You can also print and send a copy of your credit card statement (the part that shows your billing address )– instead of sending card and license.

(we don't want your SS#, Driver's Lic# or 6367. put to post it over when you copy them >> **ALWAYS RECORD FOR THE CARDHOLDER** and your billing address w/o having to make additional calls to banks and delaying your order.





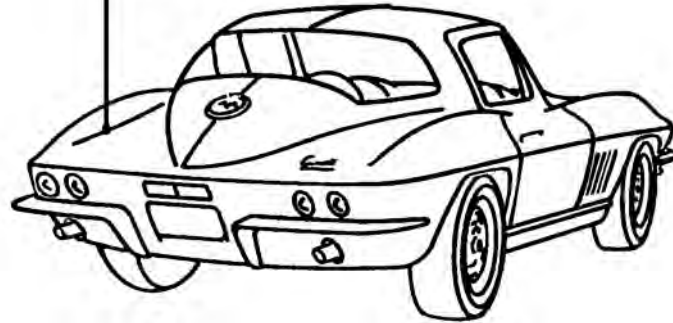
# www.licorvette.com

Phone 631-225-3000

---

Shop Online - see website for photos, updates and more

---



---

Order line 1-800-466-6367 or ph 631-225-3000

Fax #631-225-5030

Email mail@licorvette.com

---

**THE 63-67 Corvette Parts Source**

**Catalog #36 2018**