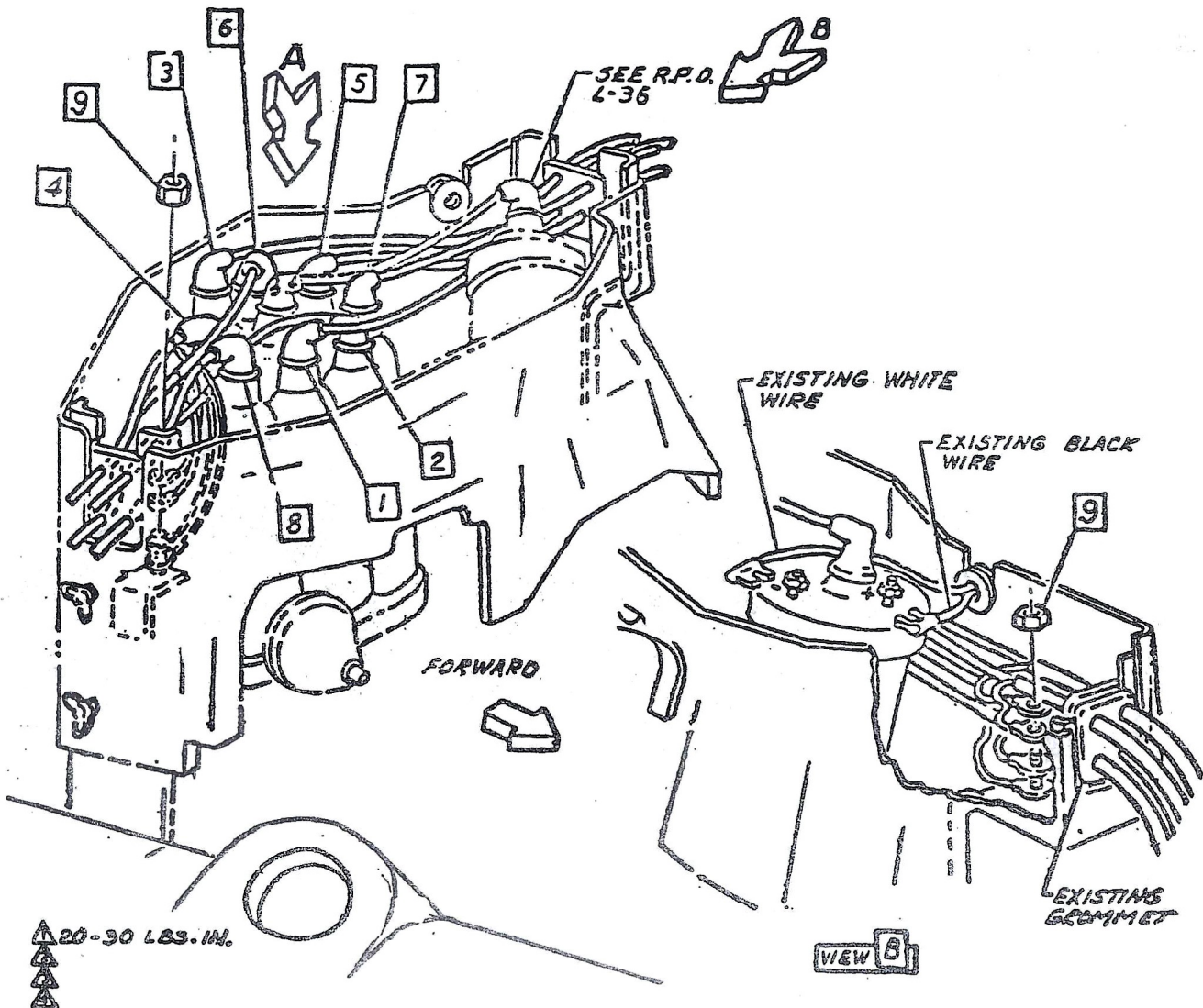
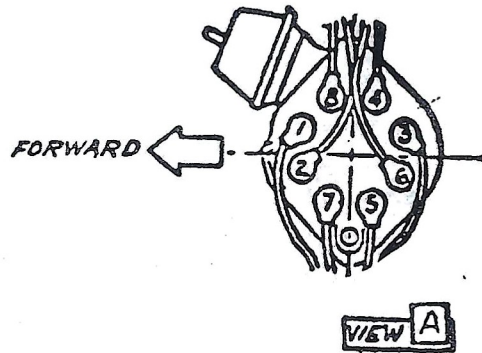


- 1 6291288 WIRE ASM. (CYL. NO. 1)
- 2 6291289 WIRE ASM. (CYL. NO. 2)
- 3 6291290 WIRE ASM. (CYL. NO. 3)
- 4 6291291 WIRE ASM. (CYL. NO. 4)
- 5 6291292 WIRE ASM. (CYL. NO. 5)
- 6 6291293 WIRE ASM. (CYL. NO. 6)
- 7 6291294 WIRE ASM. (CYL. NO. 7)
- 8 6291295 WIRE ASM. (CYL. NO. 8)
- ▲ 9 120361 NUT



CHEVROLET MOTOR DIVISION, GMCO		UPC	DATE	SYM	REVISION	RECORD	AUTH
RADIO AM/FM - IGN. SHIELDING EQUIPMENT - WITH L36 & L71		U69					
		A10					
19000							
DWS 5-17-66 W/D REF. ATT		L-82332	L-				
DATE REL. SUBJECT		L-	L-				