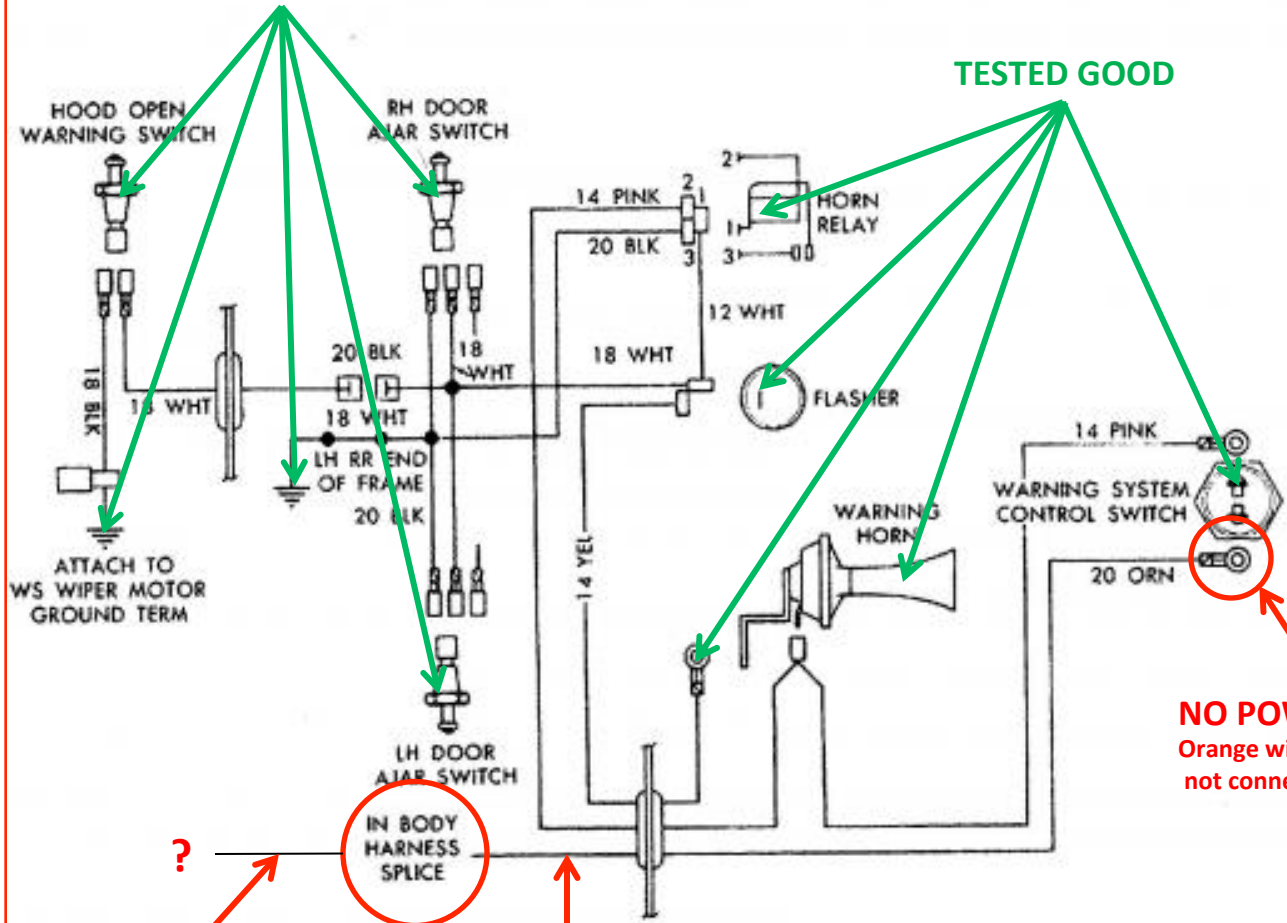


WIRING DIAGRAM — (1972-) 973
Anti-theft Alarm

TESTED GOOD

TESTED GOOD



?

To Courtesy Lamp Fuse or "BATT" Terminal?

IN BODY HARNESS SPLICE

How is this orange wire routed within the interior?

NO POWER HERE
Orange wire is open & not connected to 12VDC

(1972-) 973