

# High Wall Type (4 series)

MMK-AP0074MH-E  
MMK-AP0094MH-E  
MMK-AP0124MH-E



## Contents

1. Specifications
2. Dimensions
3. Center of gravity
4. Piping diagram
5. Wiring diagram
6. Electrical characteristics
7. Sensible capacity table
8. Air flow distance chart
9. Sound data
10. Accessories

## 1. Specifications



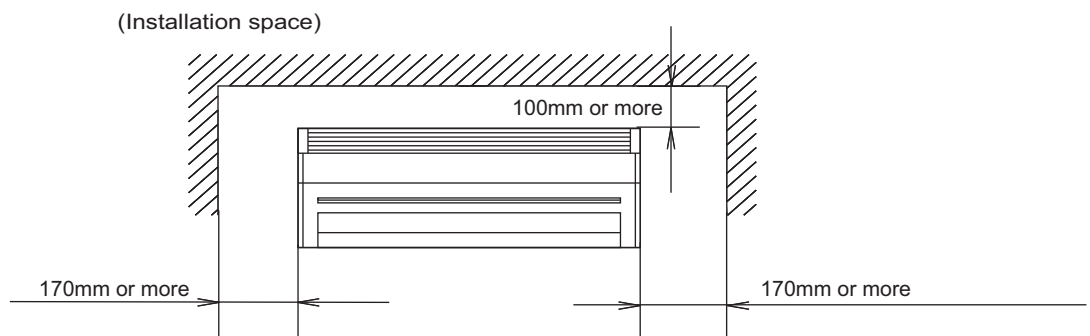
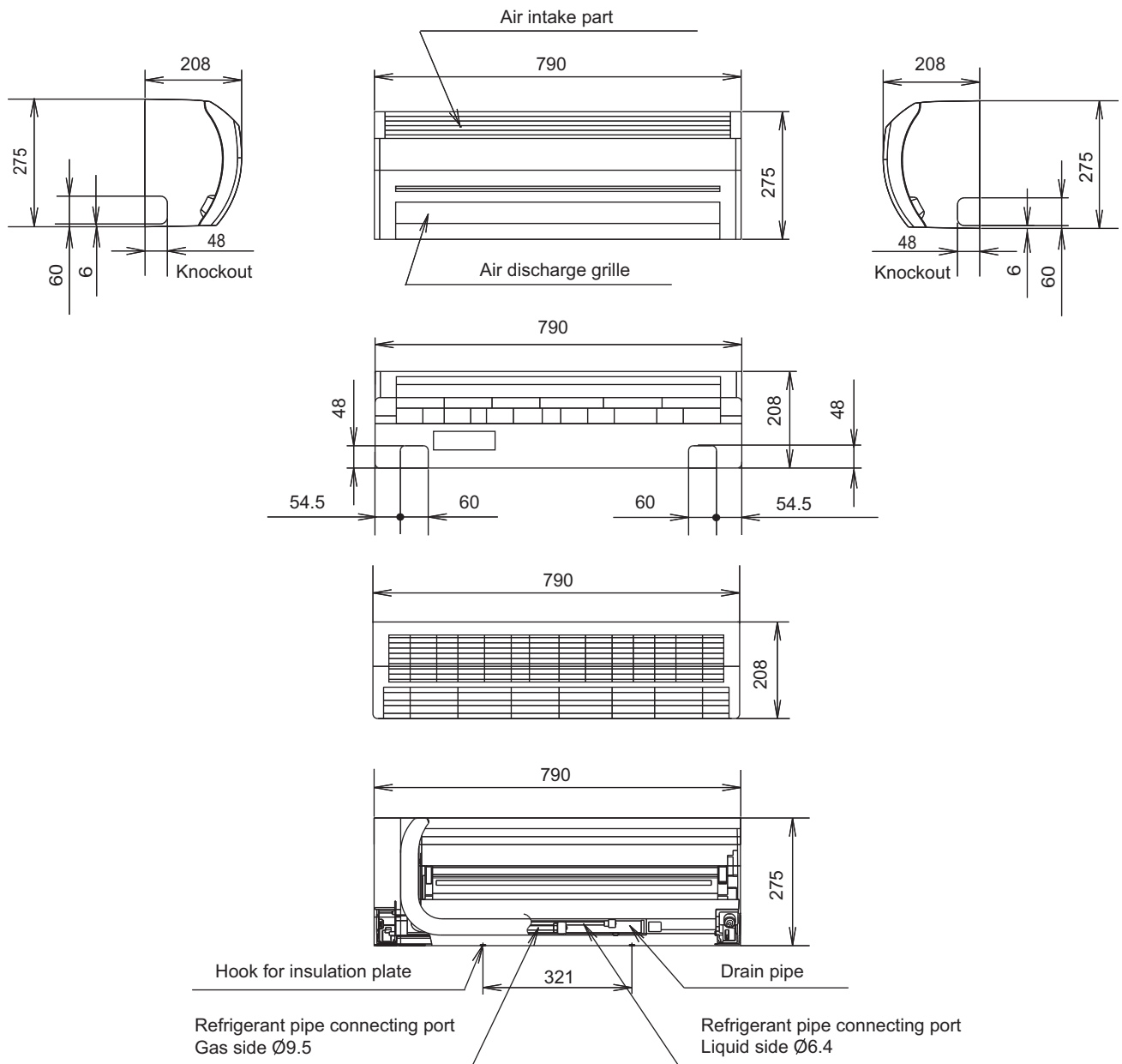
Model name		MMK-	AP0074MH-E	AP0094MH-E	AP0124MH-E
Cooling / Heating capacity (*1)		kW	2.2 / 2.5	2.8 / 3.2	3.6 / 4.0
Electical characteristics	Power supply		1 phase 50Hz 230V (220-240V) (Power exclusive for indoor is required.)		
	Running current	A	0.17	0.18	0.19
	Power consumption	kW	0.017	0.018	0.019
	Starting current	A	0.22	0.23	0.24
Appearance	Air intake grille and side panel		Moon white (Munsell 2.5GY9.0/0.5)		
	Discharge grille		Moon white (Munsell 2.5GY9.0/0.5)		
	Bottom surface		Moon white (Munsell 2.5GY9.0/0.5)		
Outer dimension	Height	mm	275		
	Width	mm	790		
	Depth	mm	208		
Total weight		kg	11		
Heat exchanger			Finned tube		
Soundproof/Heat-insulating material			Non-flammable insulation		
Fan unit	Fan		Cross-flow fan		
	Standard air flow (High/Mid/Low)	m <sup>3</sup> /h	480 / 420 / 360	510 / 450 / 360	540 / 450 / 360
	Motor output	W	30		
Air filter			Standard filter attached (Simple filter)		
Controller			Wireless remote controller (WH-H2UE, Packed with indoor unit)		
Connecting pipe	Gas side	mm	9.5		
	Liquid side	mm	6.4		
	Drain port (Nominal dia.)	mm	16 (Polyvinyl chloride tube)		
Sound pressure level (High/Mid./Low)		dB(A)	35 / 32 / 29	36 / 33 / 29	37 / 33 / 29

### Note

(\*1) Rated conditions    Cooling : Indoor 27 degC Dry Bulb / 19 degC Wet Bulb, Outdoor 35 degC Dry Bulb.  
 Heating : Indoor 20 degC Dry Bulb, Outdoor 7 degC Dry Bulb / 6 degC Wet Bulb.  
 Based on equivalent piping length of 7.5 m and piping height difference of 0 m.

2. Dimensions

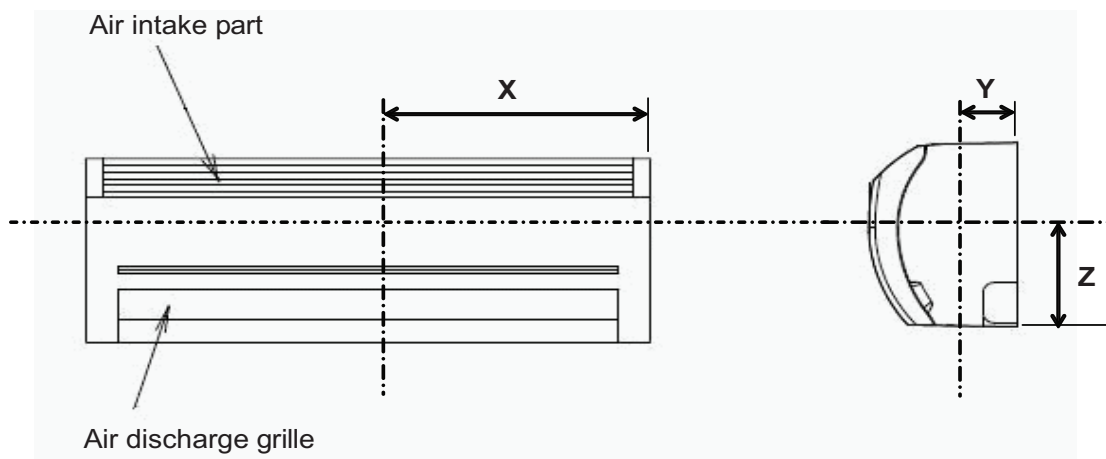
MMK-AP0074MH-E, AP0094MH-E, AP0124MH-E



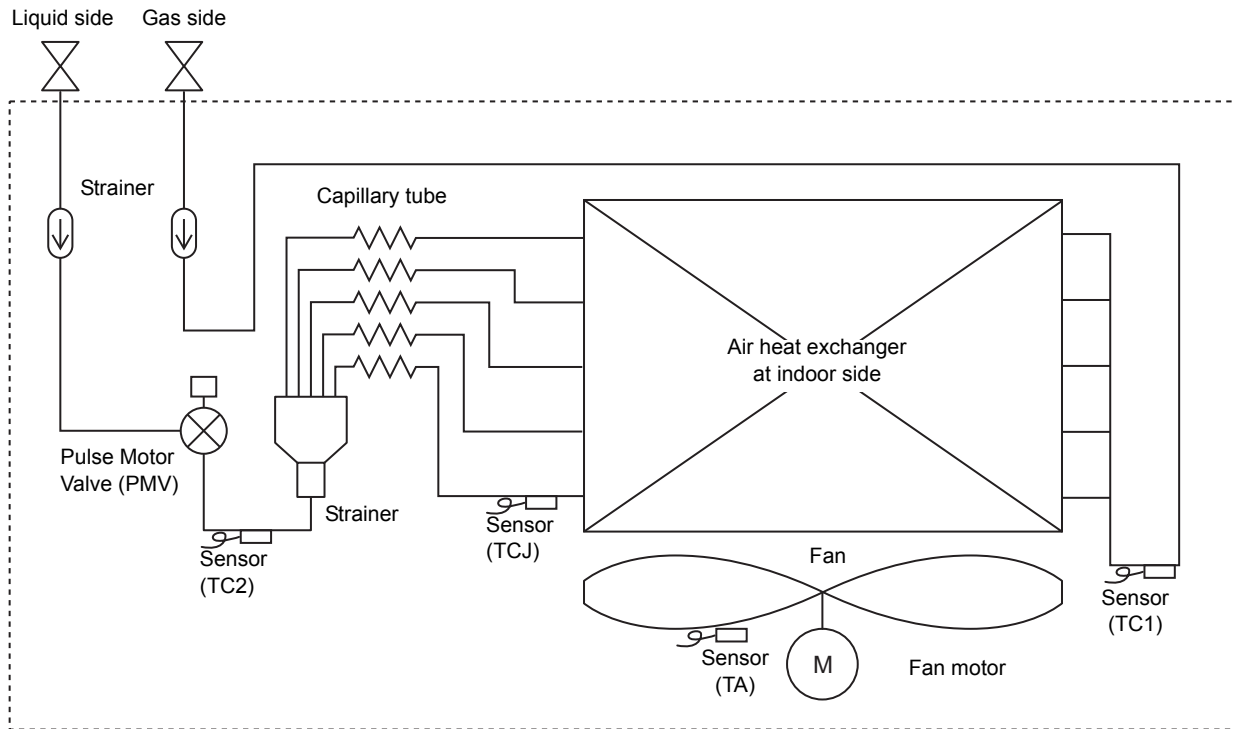
(Unit : mm)

### 3. Center of gravity

Model name	X(mm)	Y(mm)	Z(mm)	Total weight(kg)
MMY-AP0074MH-E	320	102	155	11
MMY-AP0094MH-E				
MMY-AP0124MH-E				



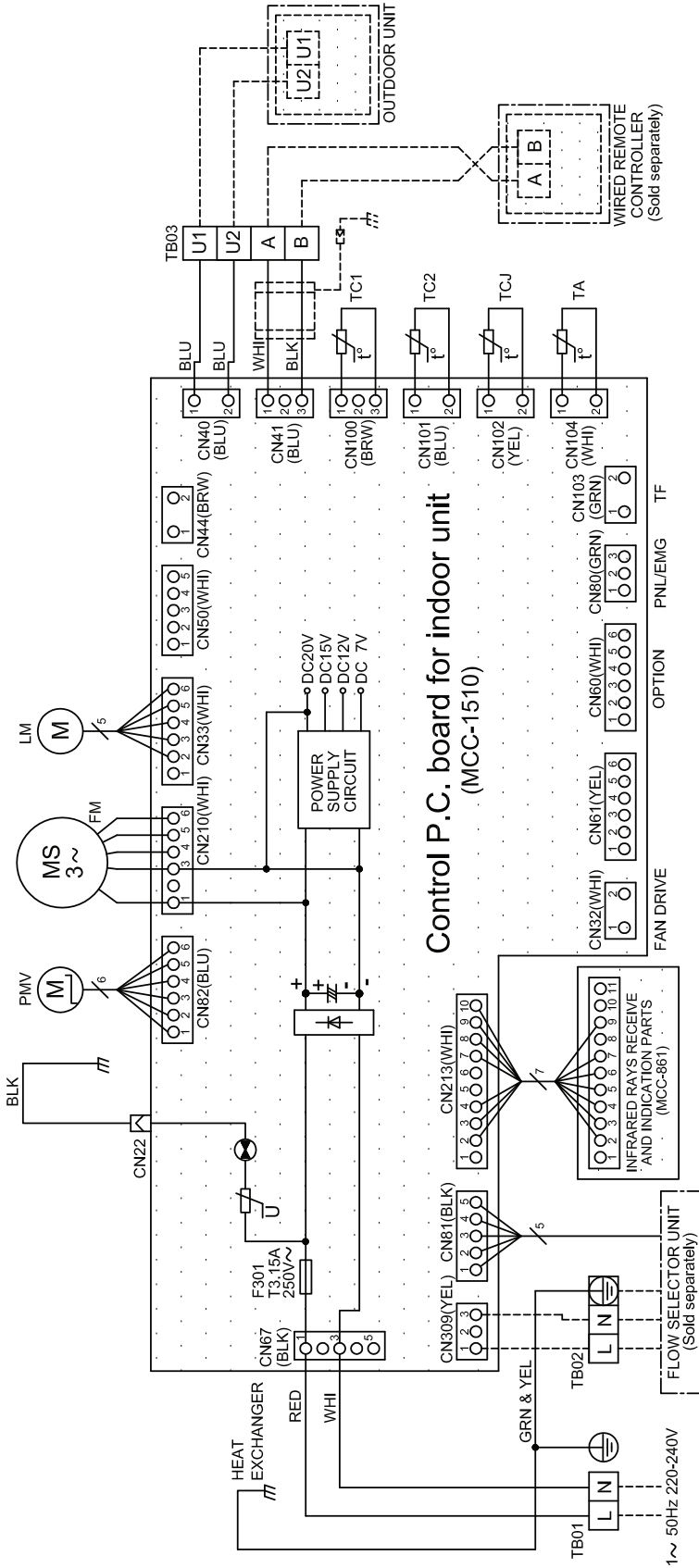
4. Piping diagram



Functional part name		Functional outline
Pulse Motor Valve	PMV	(Connector CN082 (6P): Blue) 1) Controls super heat in cooling operation 2) Controls sub cool in heating operation 3) Recovers refrigerant oil in cooling operation 4) Recovers refrigerant oil in heating operation
Temp. sensor	1. TA	(Connector CN104 (2P): Yellow) 1) Detects indoor suction temperature
	2. TC1	(Connector CN100 (3P): Brown) 1) Controls PMV super heat in cooling operation
	3. TC2	(Connector CN101 (2P): Black) 1) Controls PMV sub cool in heating operation
	4. TCJ	(Connector CN102 (2P): Red) 1) Controls PMV super heat in cooling operation

5. Wiring diagram

MMK-AP0074MH-E, AP0094MH-E, AP0124MH-E



1. Broken line indicate the wiring at site. Long dashed short dashed line indicate the accessories.
2. indicates the terminal block.
3. indicates the connection terminal.
4. indicates the protection ground.
5. indicates the control P.C. board.

**COLOR IDENTIFICATION**

RED	: RED
WHI	: WHITE
YEL	: YELLOW
BLU	: BLUE
BLK	: BLACK
GRY	: GRAY
PNK	: PINK
ORN	: ORANGE
BRW	: BROWN
GRN	: GREEN
GRN&YEL	: GREEN&YELLOW

Symbol	Parts Name
CN**	Connector
F301	Fuse
FM	Fan Motor
LM	Louver Motor
TA	Indoor temp sensor
TB01,02,03	Terminal Block
TC1,TC2,TCJ	Temp sensor

## 6. Electrical characteristics

Model	Nominal Voltage (V-Ph-Hz)	Voltage		Fan Motor		Power Supply	
		Min	Max	kW	FLA	MCA	MOCP
MMK-AP0074MH-E	230-1-50	198	264	0.03	0.20	0.24	15
MMK-AP0094MH-E	230-1-50	198	264	0.03	0.21	0.26	15
MMK-AP0124MH-E	230-1-50	198	264	0.03	0.22	0.27	15

Legend      MCA : Minimum Circuit Amps                      FLA : Full Load Amps  
                  MOCP : Maximum Overcurrent Protection (Amps)      kW : Fan Motor Rated Output (kW)

7. Sensible capacity table

High Wall Type (MMK-AP\_\_4MH-E) 4 series

unit size	outdoor air temp. CDB	Indoor Air Temp.													
		14.0°CWB		16.0°CWB		18.0°CWB		19.0°CWB		20.0°CWB		22.0°CWB		24.0°CWB	
		20°CDB		23°CDB		26°CDB		27°CDB		28°CDB		30°CDB		32°CDB	
		TC	SHC	TC	SHC	TC	SHC	TC	SHC	TC	SHC	TC	SHC	TC	SHC
007	10.0	1.8	1.5	2.0	1.6	2.1	1.7	2.2	1.7	2.3	1.7	2.4	1.7	2.5	1.6
	12.0	1.8	1.5	2.0	1.6	2.1	1.7	2.2	1.7	2.3	1.7	2.4	1.7	2.5	1.6
	14.0	1.8	1.5	2.0	1.6	2.1	1.7	2.2	1.7	2.3	1.7	2.4	1.7	2.5	1.6
	16.0	1.8	1.5	2.0	1.6	2.1	1.7	2.2	1.7	2.3	1.7	2.4	1.7	2.5	1.6
	18.0	1.8	1.5	2.0	1.6	2.1	1.7	2.2	1.7	2.3	1.7	2.4	1.7	2.5	1.6
	20.0	1.8	1.5	2.0	1.6	2.1	1.7	2.2	1.7	2.3	1.7	2.4	1.7	2.5	1.6
	21.0	1.8	1.5	2.0	1.6	2.1	1.7	2.2	1.7	2.3	1.7	2.4	1.7	2.5	1.6
	23.0	1.8	1.5	2.0	1.6	2.1	1.7	2.2	1.7	2.3	1.7	2.4	1.7	2.5	1.6
	25.0	1.8	1.5	2.0	1.6	2.1	1.7	2.2	1.7	2.3	1.7	2.4	1.7	2.5	1.6
	27.0	1.8	1.5	2.0	1.6	2.1	1.7	2.2	1.7	2.3	1.7	2.4	1.7	2.5	1.6
	29.0	1.8	1.5	2.0	1.6	2.1	1.7	2.2	1.7	2.3	1.7	2.4	1.7	2.5	1.6
	31.0	1.8	1.5	2.0	1.6	2.1	1.7	2.2	1.7	2.3	1.7	2.4	1.7	2.5	1.6
	33.0	1.8	1.5	2.0	1.6	2.1	1.7	2.2	1.7	2.3	1.7	2.4	1.7	2.5	1.6
	35.0	1.8	1.5	2.0	1.6	2.1	1.7	2.2	1.7	2.3	1.7	2.4	1.7	2.5	1.6
37.0	1.7	1.5	1.9	1.6	2.1	1.7	2.1	1.6	2.2	1.6	2.3	1.6	2.4	1.6	
39.0	1.7	1.4	1.9	1.5	2.0	1.6	2.1	1.6	2.1	1.6	2.3	1.6	2.4	1.5	
009	10.0	2.3	1.8	2.5	1.9	2.7	2.0	2.8	2.0	2.9	2.0	3.1	2.0	3.2	1.9
	12.0	2.3	1.8	2.5	1.9	2.7	2.0	2.8	2.0	2.9	2.0	3.1	2.0	3.2	1.9
	14.0	2.3	1.8	2.5	1.9	2.7	2.0	2.8	2.0	2.9	2.0	3.1	2.0	3.2	1.9
	16.0	2.3	1.8	2.5	1.9	2.7	2.0	2.8	2.0	2.9	2.0	3.1	2.0	3.2	1.9
	18.0	2.3	1.8	2.5	1.9	2.7	2.0	2.8	2.0	2.9	2.0	3.1	2.0	3.2	1.9
	20.0	2.3	1.8	2.5	1.9	2.7	2.0	2.8	2.0	2.9	2.0	3.1	2.0	3.2	1.9
	21.0	2.3	1.8	2.5	1.9	2.7	2.0	2.8	2.0	2.9	2.0	3.1	2.0	3.2	1.9
	23.0	2.3	1.8	2.5	1.9	2.7	2.0	2.8	2.0	2.9	2.0	3.1	2.0	3.2	1.9
	25.0	2.3	1.8	2.5	1.9	2.7	2.0	2.8	2.0	2.9	2.0	3.1	2.0	3.2	1.9
	27.0	2.3	1.8	2.5	1.9	2.7	2.0	2.8	2.0	2.9	2.0	3.1	2.0	3.2	1.9
	29.0	2.3	1.8	2.5	1.9	2.7	2.0	2.8	2.0	2.9	2.0	3.1	2.0	3.2	1.9
	31.0	2.3	1.8	2.5	1.9	2.7	2.0	2.8	2.0	2.9	2.0	3.1	2.0	3.2	1.9
	33.0	2.3	1.8	2.5	1.9	2.7	2.0	2.8	2.0	2.9	2.0	3.1	2.0	3.2	1.9
	35.0	2.3	1.8	2.5	1.9	2.7	2.0	2.8	2.0	2.9	2.0	3.1	2.0	3.2	1.9
37.0	2.2	1.7	2.5	1.8	2.6	1.9	2.7	1.9	2.8	1.9	3.0	1.9	3.1	1.9	
39.0	2.2	1.7	2.4	1.8	2.6	1.9	2.6	1.9	2.7	1.9	2.9	1.9	3.0	1.8	
012	10.0	3.0	2.2	3.3	2.4	3.5	2.5	3.6	2.5	3.7	2.5	3.9	2.5	4.1	2.4
	12.0	3.0	2.2	3.3	2.4	3.5	2.5	3.6	2.5	3.7	2.5	3.9	2.5	4.1	2.4
	14.0	3.0	2.2	3.3	2.4	3.5	2.5	3.6	2.5	3.7	2.5	3.9	2.5	4.1	2.4
	16.0	3.0	2.2	3.3	2.4	3.5	2.5	3.6	2.5	3.7	2.5	3.9	2.5	4.1	2.4
	18.0	3.0	2.2	3.3	2.4	3.5	2.5	3.6	2.5	3.7	2.5	3.9	2.5	4.1	2.4
	20.0	3.0	2.2	3.3	2.4	3.5	2.5	3.6	2.5	3.7	2.5	3.9	2.5	4.1	2.4
	21.0	3.0	2.2	3.3	2.4	3.5	2.5	3.6	2.5	3.7	2.5	3.9	2.5	4.1	2.4
	23.0	3.0	2.2	3.3	2.4	3.5	2.5	3.6	2.5	3.7	2.5	3.9	2.5	4.1	2.4
	25.0	3.0	2.2	3.3	2.4	3.5	2.5	3.6	2.5	3.7	2.5	3.9	2.5	4.1	2.4
	27.0	3.0	2.2	3.3	2.4	3.5	2.5	3.6	2.5	3.7	2.5	3.9	2.5	4.1	2.4
	29.0	3.0	2.2	3.3	2.4	3.5	2.5	3.6	2.5	3.7	2.5	3.9	2.5	4.1	2.4
	31.0	3.0	2.2	3.3	2.4	3.5	2.5	3.6	2.5	3.7	2.5	3.9	2.5	4.1	2.4
	33.0	3.0	2.2	3.3	2.4	3.5	2.5	3.6	2.5	3.7	2.5	3.9	2.5	4.1	2.4
	35.0	3.0	2.2	3.3	2.4	3.5	2.5	3.6	2.5	3.7	2.5	3.9	2.5	4.1	2.4
37.0	2.9	2.1	3.2	2.3	3.4	2.4	3.5	2.4	3.6	2.4	3.8	2.4	4.0	2.3	
39.0	2.8	2.1	3.1	2.2	3.3	2.4	3.4	2.4	3.5	2.4	3.7	2.3	3.9	2.3	

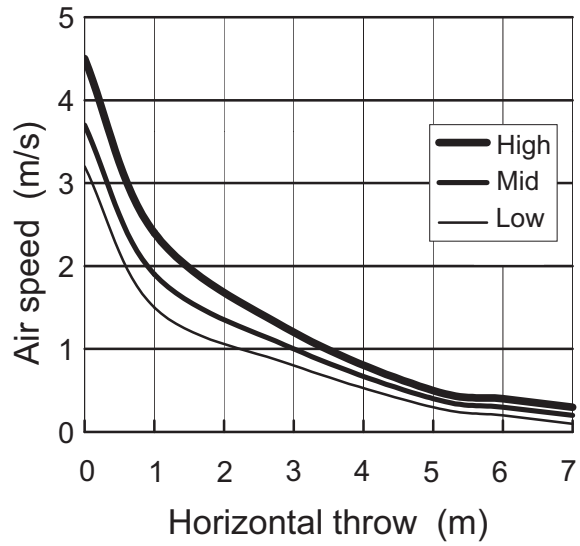
TC : Total capacity [kW]    SHC : Sensible capacity [kW]



8. Air flow distance chart

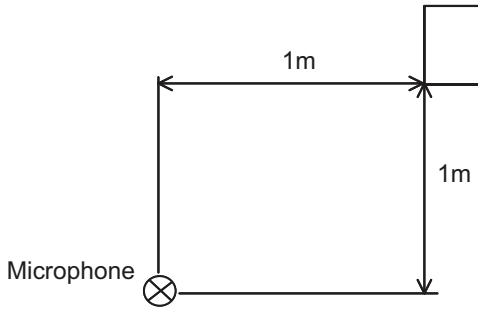
MMK-AP0074MH-E, AP0094MH-E, AP0124MH-E

Horizontal discharge Initial speed      High wind : 4.5m/s  
Mid wind : 3.7m/s  
Low wind : 3.2m/s



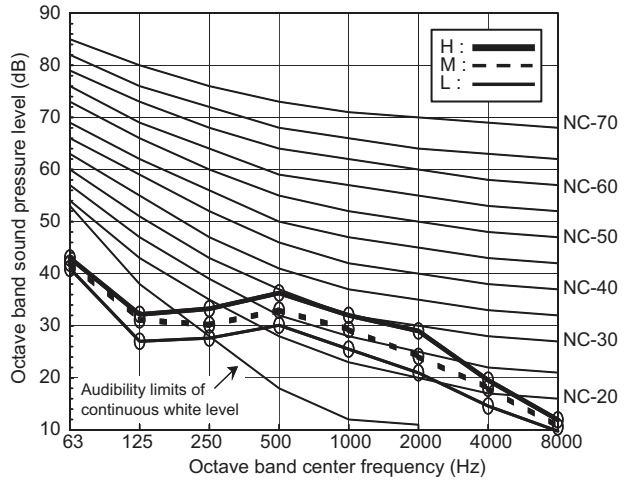
9. Sound data

Sound pressure spectrum



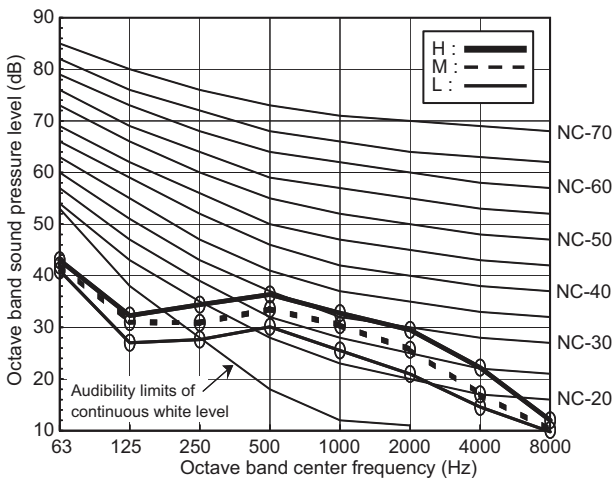
MMK-AP0074MH-E

Fan tap	H	M	L
Sound pressure level (dB(A))	35	32	29



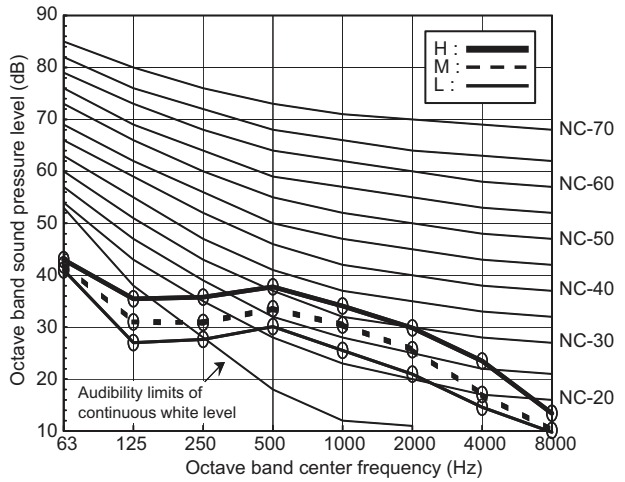
MMK-AP0094MH-E

Fan tap	H	M	L
Sound pressure level (dB(A))	36	33	29



MMK-AP0124MH-E


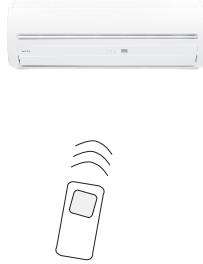
Fan tap	H	M	L
Sound pressure level (dB(A))	37	33	29



## 10. Accessories

### Remote controller

(Packed with the indoor unit)

Name	Model name	Appearance	Application	Function
Wireless remote controller	WH-H2UE			<ul style="list-style-type: none"> <li>Start / Stop</li> <li>Changing mode</li> <li>Temperature setting</li> <li>Air flow changing (5 step)</li> <li>Clock</li> <li>Timer function               <ul style="list-style-type: none"> <li>- ON/OFF timer (10 min. step)</li> <li>- Everyday timer</li> </ul> </li> <li>High power mode</li> <li>ECO mode (Sleep timer with ECO-logic)</li> <li>One-touch pre-set memory</li> <li>One-touch Auto (*1)</li> </ul>

(Note.1) SMMS-i cannot accept "AUTO" mode, SHRM-i can accept "AUTO" mode.

---

---

## **High Wall Type (4 series) Engineering Data Book**

Model name:

**MMK-AP\_\_4MH-E**

May, 2013 First Edition

**TOSHIBA CARRIER CORPORATION**