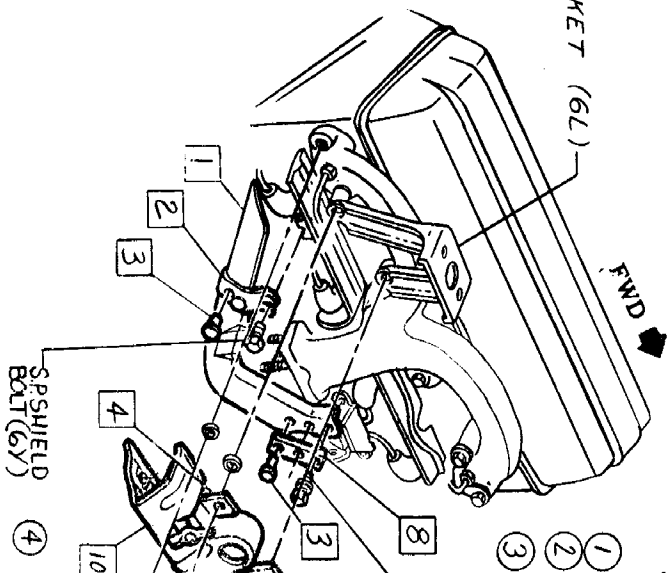
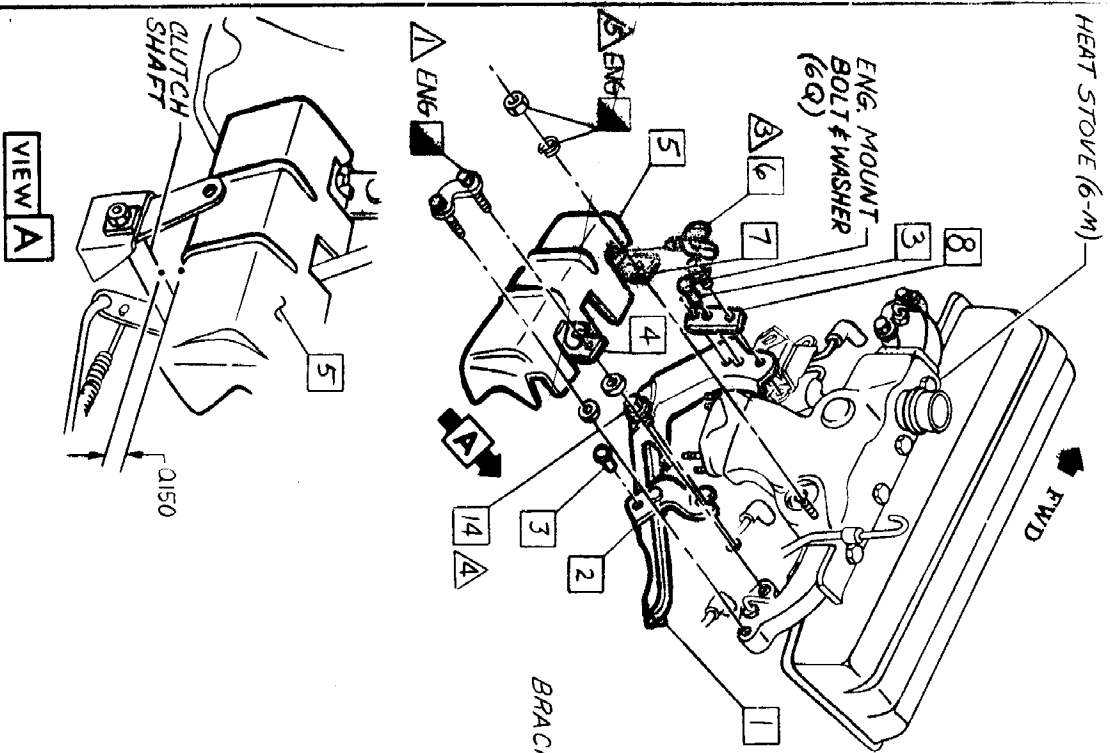




P.O. Box 1368 Rt. 45 North
 Effingham, IL 62401 800-637-5533



- 1 SHIELD-IGN SIDE INR R & LH
- 2 SUPPORT L & RH
- 3 RIVET
- 4 SUPPORT-REAR
- 5 SHIELD-IGN SIDE OTR REAR L. H.
- 6 BOLT
- 7 SUPPORT-L. H.
- 8 REINFORCEMENT
- 9 SUPPORT-R. H.
- 10 SHIELD-IGN SIDE OTR REAR R. H.
- 11
- 12
- 13
- 14 SCREW ASM

DATE	REV	BY	CHKD	REVISION	AUTH	CR	CA	DATE	REV	BY	CHKD	REVISION	AUTH	DR	CF	DATE	TITLE
4/17/77	1			351697 SHIELD ASM												2/7/77	78 CORVETTE 'Y' 464887
	2			351698 SHIELD O ASM													SPARK PLUG SHIELDS
	3			1/2 IN S REMOUNT BOLT													IYA00 & UME2/U58/U60/U66
	4			OPTION UP6 ADDED													
	5																

5