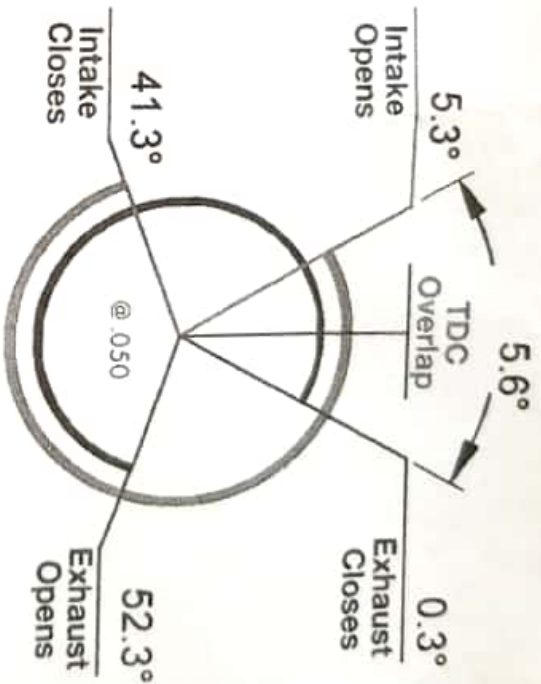
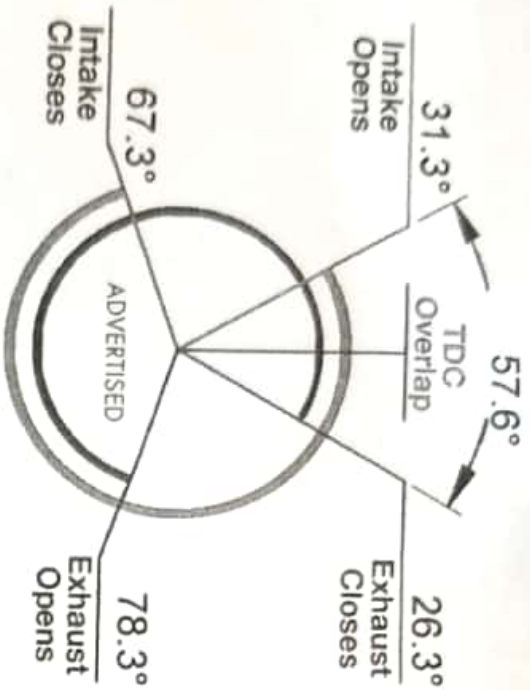


ATTENTION:
All flat tappet cams require the use of
HOWARDS CAMS™ Break-In Lube PN#99000
or equivalent!

This Data to be used for
Degreasing Purpose only.



RUNNING CLEARANCE (Hot)	VALVE LIFT	DEGREES OF DURATION
Intake 0.000	0.560	278.6°
Exhaust 0.000	0.560	284.6°
Lobe Sep. 112°	Intake C/I	108°
STANDARD		
Firing Order		
Part Number 180525-12		

GROSS LIFT AT CAM	DEGREE OF DURATION @ .050
Intake 0.373	226.6°
Exhaust 0.373	232.6°
Intake	BHR227373
Exhaust	BHR233373
Special Notes	CHEVY LT

RECOMMENDED VALVE SPRING PRESSURE

Consult **HOWARDS CAMS™** technical dept. or your cylinder head assembler for race modifications.

Serial Number 36735