



Installation Instructions

Electric Fan A/C Wiring Harness Kit

DISCONNECT BATTERY before mechanical or electrical installation.

Mount the relay in a dry position on the vehicle. When this is completed, connect the wires as per the diagram.

Blue Wire:	Connect the blue wire to the blue wire on the A/C compressor power input with butt connector.
Gray Wire:	Connect the gray wire from the relay to the temperature sending unit using the enclosed eyelet connector.
Black Wire:	Connect the black wire to the eyelet connector and then to the chassis ground.



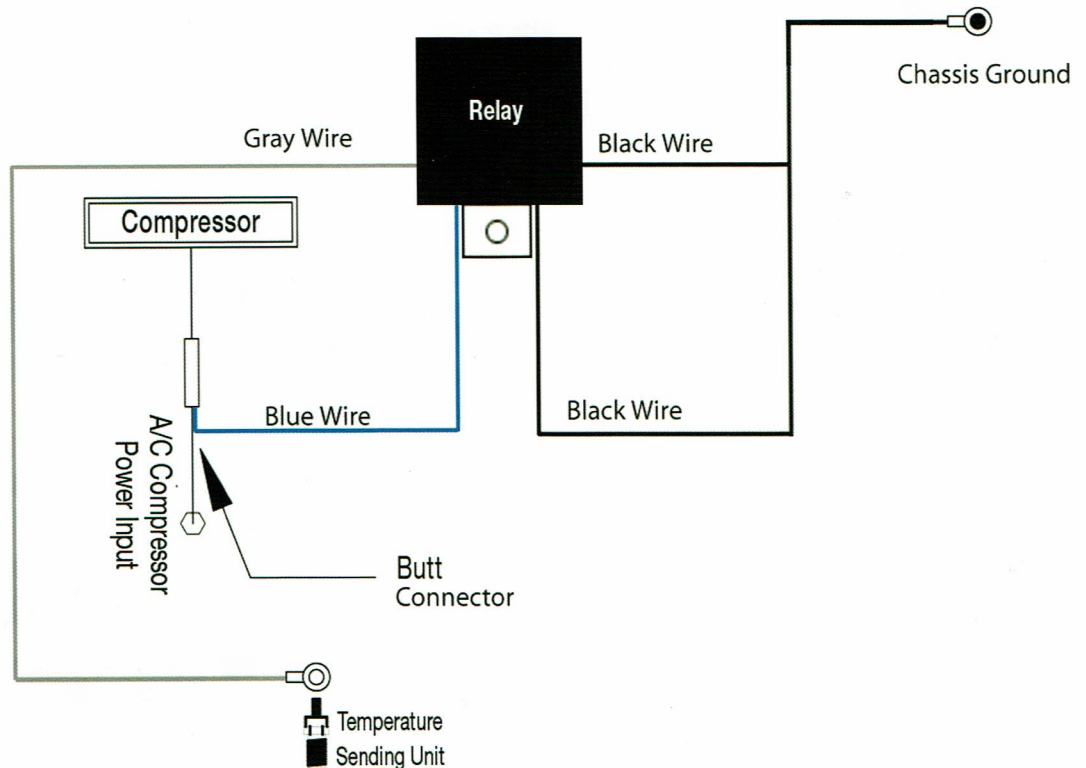
Page 12



A/C Wiring Harness Diagram

Wiring Diagram for Be Cool Kit
Part Number:

#75095



Page 13