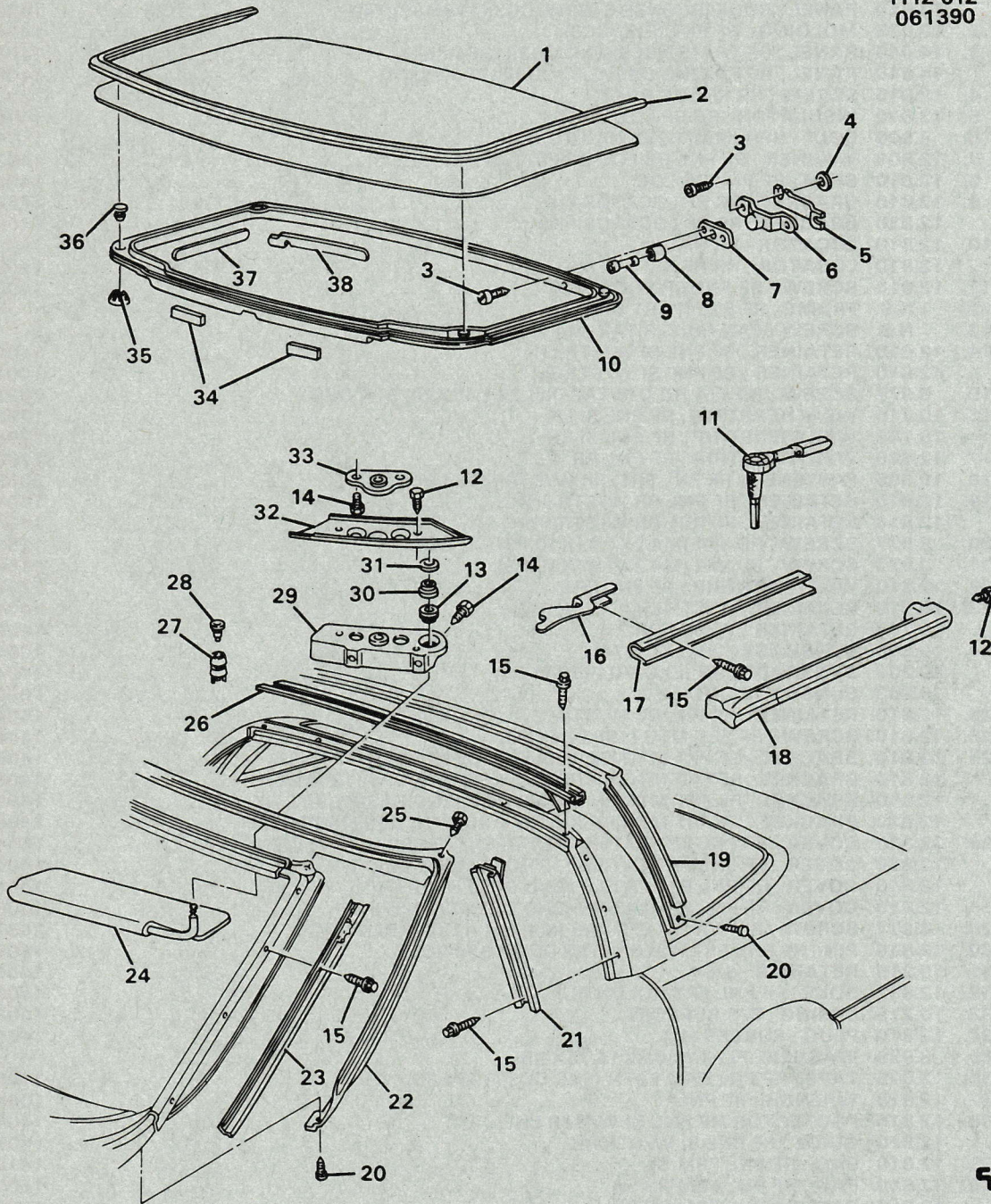


1Y12-012  
061390



1Y12-012

## 1988-1991 Y ROOF HARDWARE/LIFT OFF PANELS

1.	12.810	PANEL (1988)(BLUE 24S)	14091446
	12.810	PANEL (1988)(BRONZE 64S)	14091477
	12.810	PANEL , RF(FIBERGLASS)(W/CF7,C2L)	10181321
	14.640	PANEL , RF TR(W/CC3,CF7)	14081890
	12.810	WINDOW , (1989-91)(BLUE 24S)(INCL 10,35,36)	10107839
	12.810	WINDOW , (1989-91)(BRONZE 64S)(INCL 10,35,36)	10107840
2.	12.075	MOLDING	14047510
3.	12.810	SCREW , RR LOC BRKT	14084506
4.	12.809	WASHER , RR LOC BRKT (7.347)	14038397
5.	12.810	SHIM , RR LOC	14051188
6.	12.810	BRACKET , RR LOC-RH	14051186
	12.810	BRACKET , RR LOC-LH	14051185
7.	12.810	LOCATOR , RR-RH	14051198
	12.810	LOCATOR , RR-LH	14051197
8.	12.810	INSULATOR , RR LOC BRKT	14051184
9.	12.815	SCREW , RR LOC	12338051
10.	N.S.	FRAME (PART OF 1)	
11.	12.810	WRENCH , FRT	10045621
12.	8.977	SCREW , RD WA HD C/R TAP (M4.2X1.41X13)	20378000
13.	10.219	SPRING , S/S	14060216
14.	12.812	BOLT , FRT HLDN PLT	14089672
15.	8.977	SCREW , TORX RND WA (M4.2X1.41X10) PS	11509703
16.	12.810	GUIDE , SI W/STR-RH	14076542
	12.810	PROTECTOR , SI W/STR-LH	14076541
17.	12.810	RETAINER , SI W/STR-RH	14049246
	12.810	RETAINER , SI W/STR-LH	14049245
18.	10.710	WEATHERSTRIP , SI-RH	17980730
	10.710	WEATHERSTRIP , SI-LH	17980729
19.	12.810	WEATHERSTRIP , RR	17980728
20.	10.695	RETAINER , FRT & RR W/STR	8731909
21.	12.810	RETAINER , RR W/STR TO W/STR MLDG-RH	14049248
	12.810	RETAINER , RR W/STR TO W/STR MLDG-LH	14049247
22.	12.810	WEATHERSTRIP , FRT	17980727
23.	10.710	RETAINER , FRT W/STR-RH	14049244
	10.710	RETAINER , FRT W/STR-LH	14049243
24.	10.203	SUNSHADE , RH (1988-89)	10051878
	10.203	SUNSHADE , RH (1990-91)	10153634
	10.203	SUNSHADE , LH (1988-89 W/D74)	14105597
	10.203	SUNSHADE , LH (1988-89 EXC D74)	10051877
	10.203	SUNSHADE , LH (1990-91)	10153633
25.	12.810	FASTENER , FRT W/STR (14.630)(* 1)	20540336
26.	12.810	RETAINER , RR W/STR (TOP SI)	14049242
27.	12.810	CAP , FRT HLDN BRKT BOLT (PART OF 29)	14089674
28.	12.810	BOLT , FRT HLDN (PART OF 29)	14090607
29.	12.810	BRACKET , FRT HLDN-RH (W/SLEV)(1988)(INCL 27,28)	14090606
	12.810	BRACKET , FRT HLDN-RH (1989-91)(INCL 27,28)	14105194
	12.810	BRACKET , FRT HLDN-LH (W/SLEV)(1988)(INCL 27,28)	14090605
	12.810	BRACKET , FRT HLDN-LH (1989-91)(INCL 27,28)	14105193
30.	10.219	RETAINER , S/S	14060215
31.	8.921	NUT , RD PUSH-ON (M3.6X11.23) PC	11501937
32.	12.810	COVER , FRT LAT-RH (1988)	14089666
	12.810	COVER , FRT LAT-LH (1988)	14089665
	12.810	COVER , FRT LAT-LH (1989-91)	14105191
33.	12.810	PLATE , FRT HLDN (1988)	14089668
	12.810	PLATE , FRT HLDN (1989-91)	14105190
34.	12.810	INSULATOR , FRT	10077470
35.	12.810	PLUG (1989-91)(PART OF 1)	14047520
36.	N.S.	SPACER , FRT HLDN (PART OF 1)	
37.	12.810	PAD , FRM SI	14100214
38.	12.810	PAD , FRM RR-RH	14090614
	12.810	PAD , FRM RR-LH	14090613

NOTE 1: PAINT TO MATCH.