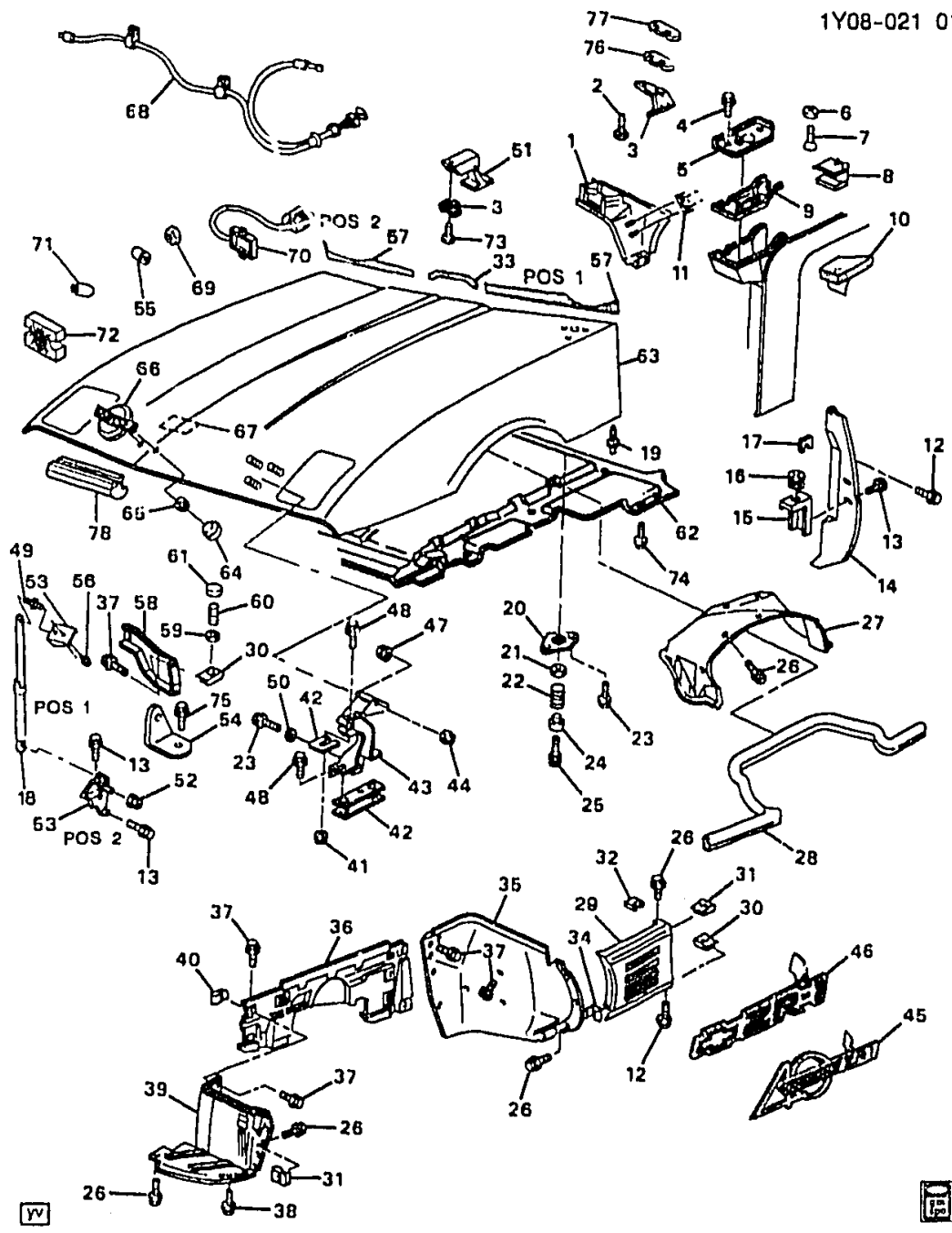


1Y08-021 01/10/98



**1993 Y SHEET METAL/FRONT END HOOD, FENDER & RELATED PARTS**

1Y08-021

1.	8-N24	12.807	REINFORCEMENT, W/S LWR FRM RR OTR (INCLS 11)	93 Y	1	10137761
2.	8-A13	8.080	BOLT, HOOD PRIM LAT REL CBL BRKT (M8X1.25X24) (3,671)	93 Y (MD8)	2	14088310
3.	8-A13	8.080	BRACKET, HOOD PRIM LAT REL CBL (CLIP TYPE)	93 Y	1	14065085
	8-A13	8.080	BRACKET, HOOD PRIM LAT REL CBL (L-SHAPED)	93 Y	1	10172493

4.	8-A13	8.080	BOLT, HOOD PRIM LAT (TO HOOD) .....	93 Y .....	2	10243052
5.	8-A13	8.080	LATCH KIT, HOOD PRIM .....	93 Y .....	1	10273994
	8-A12	8.075	CAP, HOOD PRIM LAT REL CBL BOLT (8.153) .....	93 Y .....	AR	14070933
6.	8-A10	8.024	WASHER, HOOD ADJ RR BPR (M13X35X3) (7.347) .....	93 Y .....	AR	14047726
7.	8-A10	8.024	BUMPER, HOOD ADJ RR .....	93 Y .....	2	10123075
8.	8-A12	8.075	RETAINER, HOOD PRIM LAT REL CBL (PART OF 5) .....	93 Y .....	2	12338122
9.	8-A13	8.080	SUPPORT, HOOD PRIM LAT .....	93 Y .....	LH	10225267
	DISCON		SUPPORT, HOOD PRIM LAT .....	93 Y .....	RH	10225268
10.	8-A8	8.010	SEAL, HOOD RR OTR .....	93 Y .....	LH	10123073
	8-A8	8.010	SEAL, HOOD RR OTR .....	93 Y .....	RH	10123074
11.	8-A12	8.075	PLATE, HOOD PRIM LAT REL CBL BRKT NUT (PART OF 1) .....	93 Y .....	1	10086014
12.		8.977	BOLT, HFH, W/FL WA, TAP, M4.2X1.41X16, 6172M, POR, 12.5MM FL WA, BSSD (F/FDR RR REINF) .....	93 .....	2	11513942
13.		8.900	BOLT, HEX W/WA (M6X1X20) (F/FDR RR REINF) .....	93 .....	4	10077321
14.	8-A15	8.141	REINFORCEMENT, F/FDR RR .....	93 Y .....	LH	14043025
	8-A15	8.141	REINFORCEMENT, F/FDR RR .....	93 Y .....	RH	14043026
15.	8-A13	8.080	BRACKET, HOOD GDE PIN BUSH .....	93 Y .....	LH	10261823
	8-A13	8.080	BRACKET, HOOD GDE PIN BUSH .....	93 Y .....	RH	14043084
16.	8-A13	8.080	BUSHING, HOOD GDE PIN .....	93 Y .....	2	14076579
17.	8-A16	8.143	SHIM, F/FDR RR REINF (8.153) ..	93 Y .....	AR	14049081
18.	8-A8	8.015	STRUT, HOOD (PART OF 63) .....	93 Y .....	LH	10115784
19.	8-A10	8.024	PIN, HOOD GDE .....	93 Y .....	2	14011865
20.	DISCON		PLATE, HOOD PRIM LAT STKR ANC (INCLS 2.6MM WIRE DIA POP-UP SPRING) (INCL 21, 22, 25) (PART OF 63) (8.080) .....	93 Y .....	RH	10216144
	DISCON		PLATE, HOOD PRIM LAT STKR ANC (INCL 21, 22, 25) (PART OF 63) (8.080) .....	93 Y .....	LH	10242559
21.	8-A13	8.080	NUT, HOOD PRIM LAT (PART OF 20) (M14X2.0) .....	93 Y .....	AR	14043051
22.	8-A14	8.083	SPRING, HOOD POP-UP (PART OF 20) (DIA. 2.6MM) (8.080) .....	93 Y .....	4	14043052
23.		8.900	BOLT, HEX W/CON WA (HOOD PRIM LAT STKR) .....	93 .....	4	11508269
24.	8-A14	8.083	RETAINER, HOOD POP-UP SPR (USED W/4.0MM WIRE DIA SPRING) .....	93 Y .....	2	10261899
	8-A14	8.083	RETAINER, HOOD POP-UP SPR (8.080) (USED W/2.6MM WIRE DIA SPRING) .....	93 Y .....	2	14043053
25.		N.S.	BOLT, HOOD PRIM LAT ( TO HOOD) (PART OF 20)) .....	Y .....	2	
26.	8-A16	8.143	RIVET, FRT W/H UPR PNL (F/FDR) (23.5LG 9.89 OD) (8.967) .....	93 Y .....	16	10125439
27.	8-A16	8.153	PANEL, FRT W/H UPR .....	93 Y .....	LH	10231873
	8-A16	8.153	PANEL, FRT W/H UPR .....	93 Y .....	RH	10231874
28.	8-A17	8.154	SEAL, FRT W/H PNL .....	93 Y .....	2	14104943

						1Y08-021
29.	8-A14	8.130	FENDER, FRT (INCLUDES MLDG) .....	93 Y .....	LH	10135975
	8-A14	8.130	FENDER, FRT (INCLUDES MLDG) .....	93 Y .....	RH	10135976
30.		8.921	NUT, (SPRING, TYPE C, U-SHAPED, MULTI THD) (M6X1, 1060 PEOR) (F/FDR RR REINF) (LOWER POSN) .....	93 .....	2	12337917
31.		8.921	NUT, U SHAPE TYPE P, M6.3X1.81, PNL RANGE.65-3.8, PEOR (F/FDR RR REINF) (UPPER POSN) .....	93 .....	2	11514290
32.	3-A16	8.143	SHIM, F/FDR (21MMX38MM) (7.865) .....	93 Y .....	AR	14081864
33.	8-A8	8.010	SEAL, HOOD RR CTR (CENTER OF HOOD REAR) .....	93 Y .....	1	10272962
34.		8.921	NUT, U SHAPE TYPE P, M6.3X1.81, PNL RANGE.65-3.8, PEOR (RKR PNL) .....	93 .....	4	11514290
35.	8-A16	8.153	PANEL, FRT W/H LWR RR (1992 & PRIOR VEHICLES MUST DRILL HOLES TO MOUNT RELAYS AND OTHER ELECTRICAL HARDWARE) .....	93 Y (EXC ZR1) .....	LH	10276497
	8-A16	8.153	PANEL, FRT W/H LWR RR (1992 & PRIOR VEHICLES MUST DRILL HOLES TO MOUNT RELAYS & OTHER ELECTRICAL HARDWARE) .....	93 Y (EXC ZR1) .....	RH	10276498
	8-A16	8.153	PANEL, FRT W/H LWR RR (1992 & PRIOR VEHICLES MUST DRILL HOLES TO MOUNT RELAYS & OTHER ELECTRICAL HARDWARE.) .....	93 Y (ZR1) .....	LH	10276499
		DISCON	PANEL, FRT W/H LWR RR (1992 & PRIOR VEHICLES MUST DRILL HOLES TO MOUNT RELAYS & OTHER ELECTRICAL HARDWARE) .....	93 Y (ZR1) .....	RH	10276500
36.	8-A16	8.153	PANEL, FRT W/H LWR CTR .....	93 Y (FX3) .....	RH	10276504
	8-A16	8.153	PANEL, FRT W/H LWR CTR .....	93 Y (FE1) (EXC FX3) .....	RH	10276504
	8-A16	8.153	PANEL, FRT W/H LWR CTR .....	93 Y (FE1, FX3) .....	LH	10276503
37.		8.900	BOLT, HEX W/CON WA, M6X1X20 (FRT W/H LWR FRT PNL SUPT) .....	93 .....	1	11514623
38.		8.900	BOLT, HEX W/WA (M6X1X20) (FRT W/H LWR FRT PNL) (POSN #3) .....	93 .....	6	10077321
39.	8-A16	8.153	PANEL, FRT W/H LWR FRT (MAY NEED TO DRILL HOLES TO MATCH) .....	93 Y .....	LH	10275625
	8-A16	8.153	PANEL, FRT W/H LWR FRT (MAY NEED TO DRILL HOLES TO MATCH) .....	93 Y .....	RH	10275626
40.		8.921	NUT, (SPRING, TYPE C, U-SHAPED, MULTI THD) (M6X1, 1060 PEOR) (FRT W/H LWR CTR PNL) .....	93 .....	9	12337917

				1Y08-021	
41.		8.917	NUT, HFH, M8X1.25, 17.9 OD, 738 THK, 13MM HEX, 10, ZF (HOOD HGE) (POSN #2) (PART OF 63) (8.915) (AC-DELCO #11514596) .....	93	4 11514596
42.	8-A9	8.016	SHIM, HOOD HGE (POSN #2) (TO SI RAIL) (1MM THK) (RECT) .	93 Y	AR 14064584
43.	8-AB	8.015	HINGE, HOOD (ON EARLY 94 & PRIOR, MAY NEED TO REMOVE 6MM OF SHIMS FROM UPR & LWR HOOD HINGE SHIM PACKS, HORIZ HOOD HINGE MTG BOLT NOT REQ & MAY BE DISCARDED) .....	93 Y	LH 12523083
	8-AB	8.015	HINGE, HOOD (ON EARLY 94 & PRIOR, MAY NEED TO REMOVE 6MM OF SHIMS FROM UPR & LWR HOOD HINGE SHIM PACKS, HORIZ HOOD HINGE MTG BOLT NOT REQ & MAY BE DISCARDED) .....	93 Y	RH 12523084
44.		8.915	NUT, HEX W/CON WA, M8X1.25, 7.32 THK, 9, ZF (HOOD HGE) (POSN #1) .....	93	4 11514519
45.	8-A10	8.055	EMBLEM, HOOD SI (40-W/O ZR1) .....	93 Y (Z25) (EXC ZR1)	2 10172390
46.	8-A10	8.055	EMBLEM, HOOD SI (WHITE) (BOWTIE, ZR1) (7.832) .....	93 Y (ZR1, 10U)	2 10146443
	8-A10	8.055	EMBLEM, HOOD SI (YELLOW) (BOWTIE, ZR1) (7.832) .....	93 Y (ZR1, 53U) (EXC Z25)	2 10153678
	DISCON		EMBLEM, HOOD SI (BLUE) (BOWTIE, ZR1) .....	93 Y (ZR1, 80U) (EXC Z25)	2 10153679
	8-A10	8.055	EMBLEM, HOOD SI (AQUA) (BOWTIE, ZR1) (7.832) .....	93 Y (ZR1, 43U) (EXC Z25)	2 10175826
	8-A10	8.055	EMBLEM, HOOD SI (RED) (BOWTIE, ZR1) (7.832) .....	93 Y (ZR1, 70U) (EXC Z25)	2 10198688
	8-A10	8.055	EMBLEM, HOOD SI (BLACK ROSE) (BOWTIE, ZR1) (7.832) ...	93 Y (ZR1, 73U) (EXC Z25)	2 10198747
	8-A10	8.055	EMBLEM, HOOD SI (BLACK) (7.832) .....	93 Y (ZR1, 41U) (EXC Z25)	2 10268455
	8-A10	8.055	EMBLEM, HOOD SI (MARBLEHEAD GRAY) (7.832) ...	93 Y (ZR1, 45U) (EXC Z25)	2 10268456
47.		8.917	NUT, HFH 6X1X7 SELF LK 14.2-OD (9) 7111M ALL MET PREV TORQ (HOOD HGE REINF) (PART OF 63) .....	93	4 11516075
48.		8.900	BOLT, HEX W/CON WA (HOOD HGE) .....	93	10 11508269
49.	8-AB	8.015	STUD, HOOD OPEN ASST ROD (PART OF 53) .....	93 Y	1 14104833
50.	8-A9	8.016	WASHER, HOOD HGE (13MM I.D.) .....	93 Y	2 14078623
51.	8-A12	8.075	HANDLE, HOOD PRIM LAT REL CBL (W/CURVED HDL) .....	93 Y	2 10286183
52.		8.917	NUT, HEX W/CON WA, 24 OD, M6X1X5.6, 9M, PZOR (FRT W/H LWR FRT) .....	93	1 11514275
53.	8-AB	8.015	BRACKET, HOOD STRUT .....	93 Y	LH 10278270

					1Y08-021	
	8-A8	8.015	BRACKET, HOOD STRUT (POSN #2)	93 Y		LH 10278271
54.	8-A16	8.153	BRACKET, FRT W/H PNL SUPT	93 Y	1	14104902
55.	8-B3	8.890	SWITCH, U/HOOD LP (PART OF 70)	93 Y	2	16516071
56.		8.900	BOLT, HEX W/CON WA, M6X1X20 (HOOD STRUT BRKT)	93	5	11514623
57.	8-A8	8.010	SEAL, HOOD RR (POSN #1) (1 LEFT SIDE OF HOOD REAR)	93 Y	1	10272963
	8-A8	8.010	SEAL, HOOD RR (POSN #2) (RIGHT SIDE OF HOOD REAR)	93 Y	1	10272964
58.	8-A18	8.155	SUPPORT, FRT W/H LWR FRT PNL	93 Y		LH 14104035
	8-A18	8.155	SUPPORT, FRT W/H LWR FRT PNL	93 Y		RH 14104036
59.		8.915	NUT, HEX W/CON WA M8X1.25X9.5 19-OD 9 ZP (8.917)	93		AR 11506117
60.	8-A10	8.024	STUD, HOOD ADJ FRT BPR (25MM O.D.) (INCLS NUT)	93 Y	2	25526456
61.	8-A10	8.024	BUMPER, HOOD ADJ FRT	93 Y	2	14069250
62.	8-A9	8.021	INSULATOR, HOOD (DEALER MUST DRILL HOLES AS REQ'D)	93 Y (LT1, B4H) (EXPORT)	1	10247787
63.	8-A8	8.000	HOOD KIT, (W/STRUT BRKT) (INCL 18, 20, 41, 53) (DEALER MUST READ INSTRUCTION SHEET BEFORE INSTALLATION) (MET HDLP HSG SUPT NO LONGER REQD)	93 Y	1	12512903
64.		8.973	PLUG, BUTTON 1.00 STL PL (HOOD EMB) (16.547)	93	1	14049810
65.		8.921	NUT, MET STAMPED 5 MM ID	93		AR 11501793
66.	8-A10	8.055	EMBLEM, HOOD (TOPSIDE) (CHROME) (BOWTIE)	93 Y (Z25)	1	10198699
	8-A10	8.055	EMBLEM, HOOD (TOPSIDE) (BLACK) (BOWTIE)	93 Y (EXC Z25)	1	10209060
67.	8-A10	8.055	EMBLEM, HOOD (UNDERSIDE) (CHEVROLET CORVETTE, BOWLING GREEN, KY)	93 Y	1	10175789
68.	8-A12	8.075	CABLE, HOOD PRIM LAT REL (BLACK)	93 Y	1	10250486
69.	8-B3	8.890	NUT, U/HOOD LP (2.383)	93 Y	4	12338025
70.	8-B3	8.890	LAMP, U/HOOD (INCL 55, 72)	93 Y	2	16515968
71.		8.991	BULB, 12CP ID 211-2 (AC-DELCO #L211-2)	93		AR 9431808
72.	8-B3	8.890	LENS, U/HOOD LP (PART OF 70)	93 Y	1	16506291
73.	8-A12	8.075	BOLT, HOOD PRIM LAT REL CBL (M4.2X1.4X16) (8.977)	93 Y	1	11504736
74.		8.950	RETAINER, PUSH-IN 0.35-LEN 0.25 HOLE DIA 2.0 HD DIA PLASTIC (HOOD INSL) (8.021)	93		AR 20064875
75.		8.900	BOLT, HEX W/CON WA, M6X1X20 (FRT W/H PNL SUPT BRKT)	93	1	11514623
76.	8-M28	0.829	SPACER, HOOD PRIM LAT REL CBL BRKT	93 Y (MD8)	1	10126405
77.	8-M28	0.829	SPACER, HOOD PRIM LAT REL CBL BRKT	93 Y (MD8)	1	10126405
78.	8-N21	3.410	SEAL, A/CL HOOD	93 Y (LT1, LT5) (EXC B4H)	1	10198767