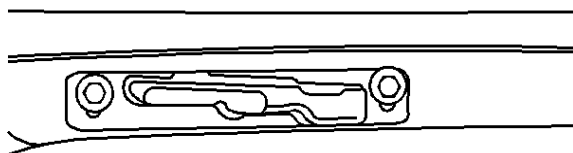


Roof Lift Off Panel Adjustment

1. Perform one or more of the following five adjustment procedures to properly align the roof lift off panel.



2. To adjust the front striker for up down roof alignment perform the following steps:
3. Remove the windshield upper garnish molding. Refer to [Windshield Upper Garnish Molding Replacement](#) in Interior Trim.
 - A. For major up down roof adjustment loosen the striker bolts and reposition the latch striker up or down.
 - B. For minor up or down roof adjustment loosen the striker outboard bolt and slightly loosen the inboard bolt, pivot the striker on the inboard bolt in 2 mm (0.08 in) increments up or down.

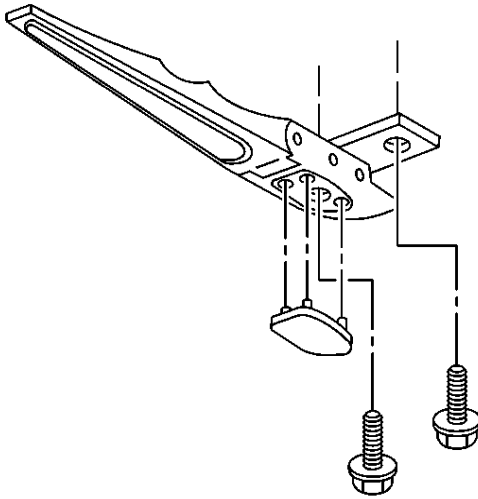
Notice

Use the correct fastener in the correct location. Replacement fasteners must be the correct part number for that application. Fasteners requiring replacement or fasteners requiring the use of thread locking compound or sealant are identified in the service procedure. Do not use paints, lubricants, or corrosion inhibitors on fasteners or fastener joint surfaces unless specified. These coatings affect fastener torque and joint clamping force and may damage the fastener. Use the correct tightening sequence and specifications when installing fasteners in order to avoid damage to parts and systems.

- C. Tighten the striker bolts. **Tighten**

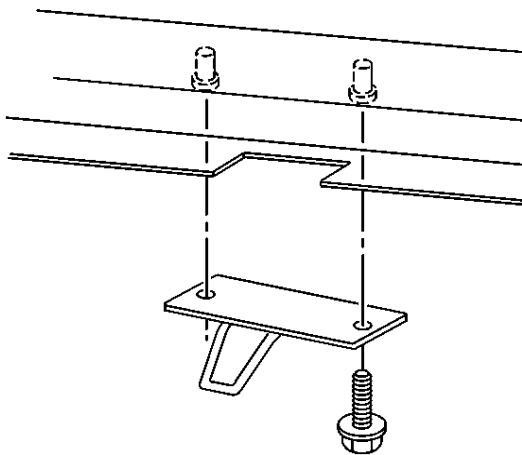
Tighten the roof front latch handle striker bolts to 10 N·m (89 lb in).

- D. When the striker is properly adjusted the handle will snap closed.
4. Install the windshield upper garnish molding. Refer to [Windshield Upper Garnish Molding Replacement](#) in Interior Trim.



5. To adjust the front latch handle forward or rearward perform the following steps:
 - A. Loosen the latch handle bolts.
 - B. Position the latch handle forward or rearward. Maintain a minimum of 2 mm (0.08 in) clearance between latch handle and the latch striker to avoid squeaks and rattles.
 - C. Assure the latch handle base is parallel to the striker to provide clearance to the sunshade mirror door.
 - D. Tighten the latch handle bolts. **Tighten**

Tighten the roof front latch handle bolts to 13 N·m (10 lb ft).

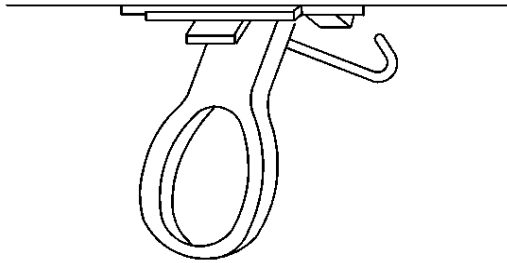


6. For major rear latch adjustment adjust the rear latch striker performing the following steps:
 - A. Remove the roof lift off panel.
 - B. Remove the roof bow center interior trim panel. Refer to [Trim Panel Replacement - Rear Roof Bow](#) in Interior Trim.
 - C. Loosen the rear latch striker attaching bolts.
 - D. Adjust the position of the latch striker forward or rearward for major adjustment.

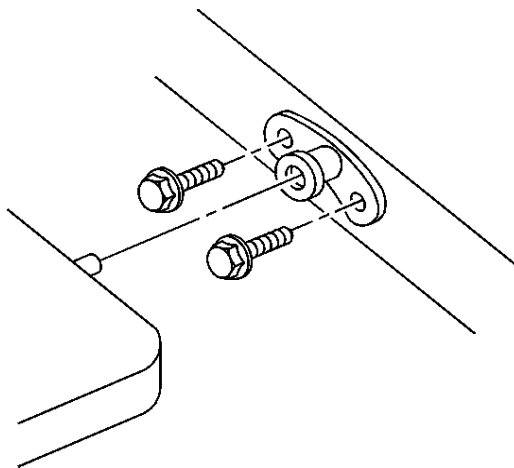
- E. Tighten the striker attaching bolts. **Tighten**

Tighten the roof rear striker bolts to 10 N·m (89 lb in).

- F. Install the roof lift off panel.



7. For minor rear latch adjustment, adjust the latch handle hook one turn at a time to achieve moderate pressure to the latch as follows.
- A. Remove the roof lift off panel.
 - B. Loosen the set screw locking the latch hook.
 - C. Turn the hook in to tighten or out to loosen.
 - D. Tighten the set screw.
 - E. Install the roof panel.



8. To adjust the rear locator perform the following steps:
- A. With the roof installed on the vehicle loosen the locator mounting bolts.
 - B. Reposition the locator.

C. Tighten the mounting bolts. **Tighten**

Tighten the roof rear locator to locator bracket bolts to 10 N·m (89 lb in).

<- Back

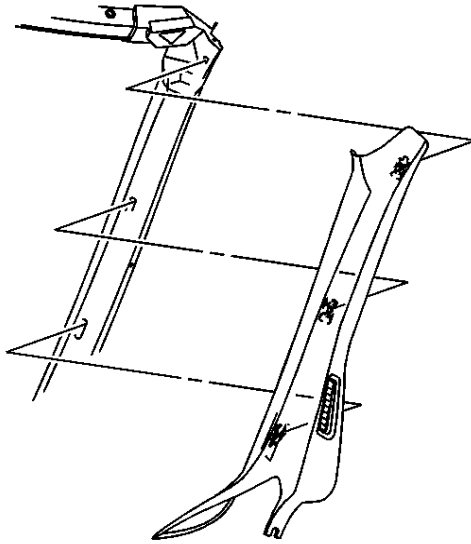
Forward ->

Document ID# 815143
2003 Chevrolet Corvette

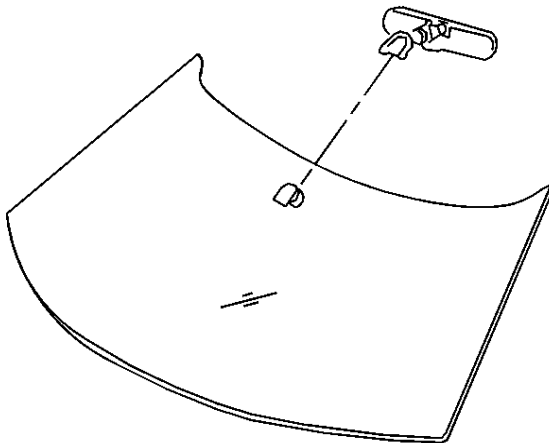
Print

Windshield Upper Garnish Molding Replacement

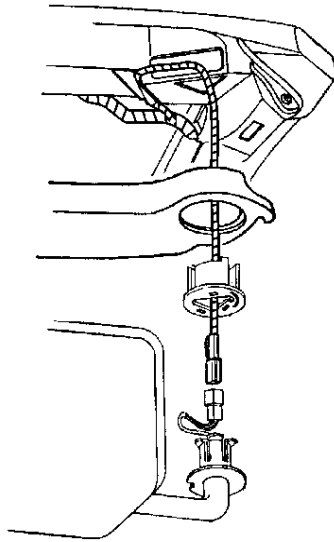
[Removal Procedure](#)



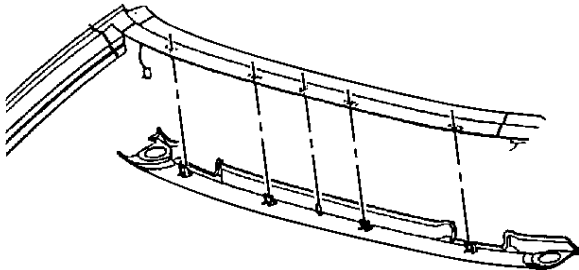
1. Remove the windshield side garnish moldings.
 - A. Grasp the windshield side garnish molding.
 - B. Pull the molding with its retainers from the windshield frame.



2. Remove the inside rearview mirror.
 - A. Disconnect the inside rearview mirror electrical connector.
 - B. Loosen the mirror mount tension screw.
 - C. Slide the mirror up off the mirror bracket.

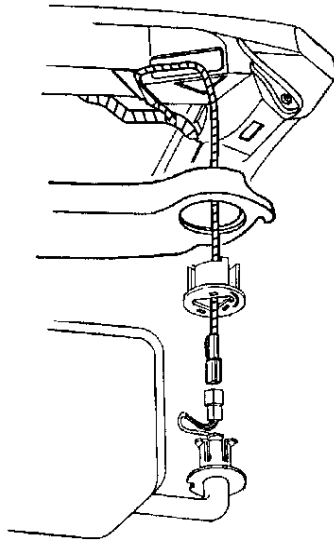


3. Remove the sunshades. Refer to [Sunshade Replacement](#) in Interior Trim.

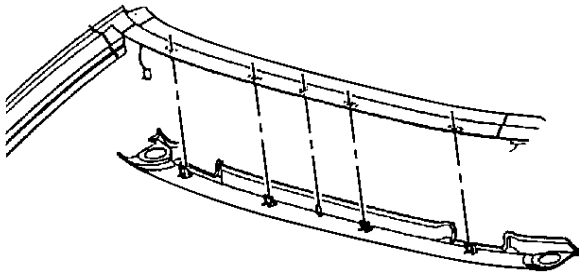


4. Grasp the upper garnish molding and pull the garnish molding with its retainers from the windshield frame.

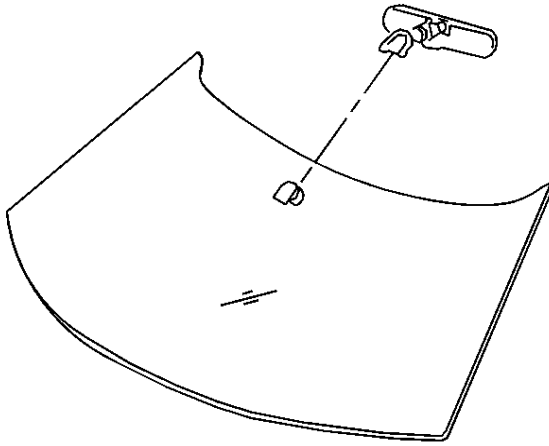
[Installation Procedure](#)



1. Position the sunshade electrical connectors through the openings in the upper garnish molding.



2. Position the upper garnish molding with its retainers to the holes in the windshield frame.
3. Starting in the center push on the upper garnish molding snapping the molding retainers into the windshield frame.
4. Install the sunshades. Refer to [Sunshade Replacement](#) in Interior Trim.



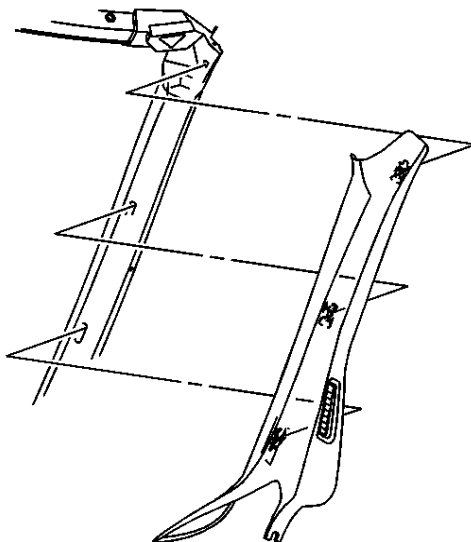
5. Slide the rearview mirror down onto the bracket.
6. Connect the electrical connector.

Notice

Use the correct fastener in the correct location. Replacement fasteners must be the correct part number for that application. Fasteners requiring replacement or fasteners requiring the use of thread locking compound or sealant are identified in the service procedure. Do not use paints, lubricants, or corrosion inhibitors on fasteners or fastener joint surfaces unless specified. These coatings affect fastener torque and joint clamping force and may damage the fastener. Use the correct tightening sequence and specifications when installing fasteners in order to avoid damage to parts and systems.

7. Tighten the mirror tension screw. **Tighten**

Tighten the rearview mirror mount tension screw to 1.5 N·m (13 lb in).





8. Install the windshield side garnish moldings.
 - A. Position the side garnish molding behind the lock pillar molding and retainer.
 - B. Position the side garnish molding with its retainers to the holes in the windshield frame.
 - C. Push on the molding snapping the retainers into the windshield frame.

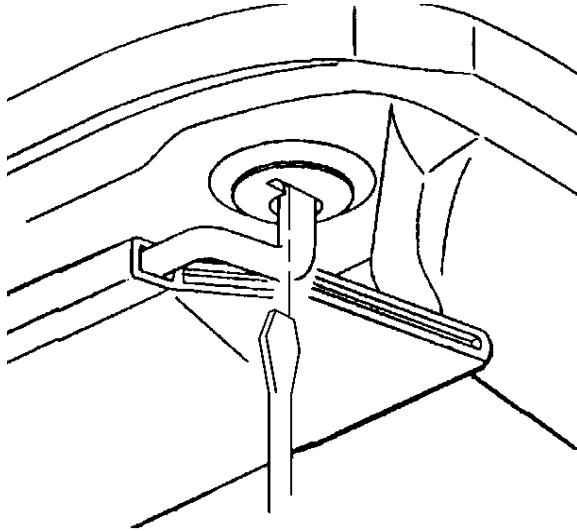
[<- Back](#)[Forward ->](#)

Document ID# 656010
2003 Chevrolet Corvette

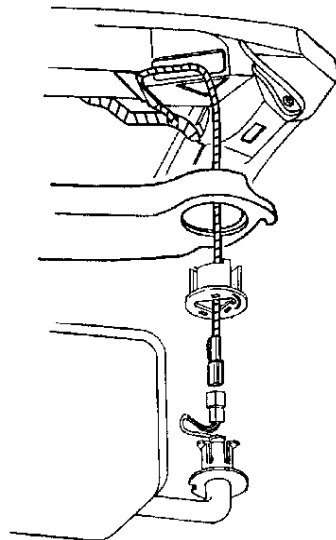
[Print](#)

Sunshade Replacement

[Removal Procedure](#)



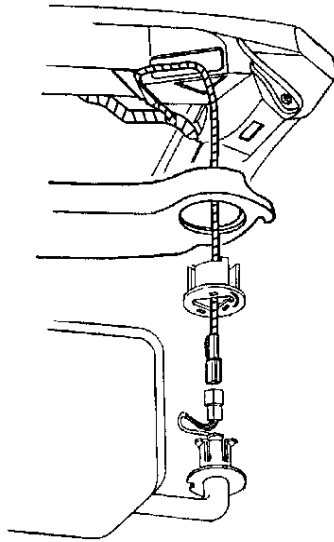
1. Tilt the sunshade down toward the windshield.
2. Insert a flat head screwdriver blade into the slot in the sunshade inner bezel.
3. Using the screwdriver against the elbow of the sunshade arm for leverage pull down on the sunshade arm while rotating the sunshade outboard until the sunshade stops. (the first tab disengages).
4. Push up on the sunshade and continue rotating the sunshade outboard until the sunshade with the inner bezel disengages from the mounting bezel.





5. Disconnect the electrical connector.
6. Remove the sunshade.
7. Disassemble as necessary.
 - If removing the mounting bezel, pull the bezel from the garnish molding with your fingers.
 - If replacing the inner bezel, remove the bezel from the sunshade shaft and press the new bezel onto the shaft.

Installation Procedure



1. Route the harness through the mounting bezel.
2. Insert the mounting bezel into the garnish molding engaging the snap fingers.
3. Connect the harness to the sunshade electrical connector.
4. Push the connector up through the bezel and through the hole in the garnish molding.
5. Position the sunshade approximately midway between the windshield and the side of the vehicle.
6. Insert the rod with inner bezel firmly attached fully into the mounting bezel.
7. Rotate the sunshade toward the centerline of the vehicle until the sunshade locks in place.

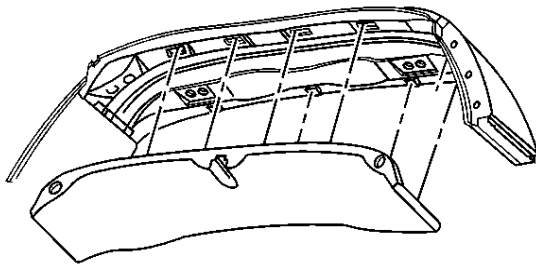
[<- Back](#)[Forward ->](#)

Document ID# 656918
2003 Chevrolet Corvette

[Print](#)

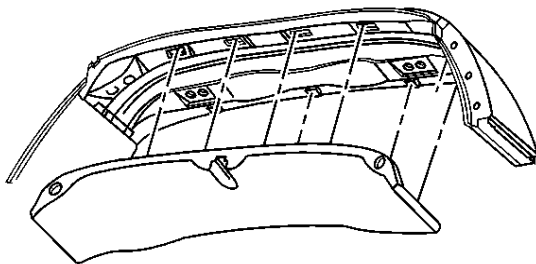
Trim Panel Replacement - Rear Roof Bow

[Removal Procedure](#)



1. Remove the roof lift off panel.
2. Remove the push-pins from the outer ends of the roof bow center trim panel.
3. Starting in the center of the roof bow center trim panel pull down on the trim panel separating the retaining clips and the hook and loop fastener patches from the roof bow.
4. Remove the roof bow interior trim panel.

[Installation Procedure](#)





1. Position the roof bow interior trim panel to the roof bow attaching the left center alignment clip first.
2. Align the rear antenna cable to the notch in the rear flange of the trim panel.
3. Push upward on the trim panel attaching the remaining clips and the hook and loop fastener patches.
4. Install the push-pins through the ends of the roof bow center trim panel.
5. Install the roof lift off panel.

[<- Back](#)[Forward ->](#)

Document ID# 656917
2003 Chevrolet Corvette

[Print](#)