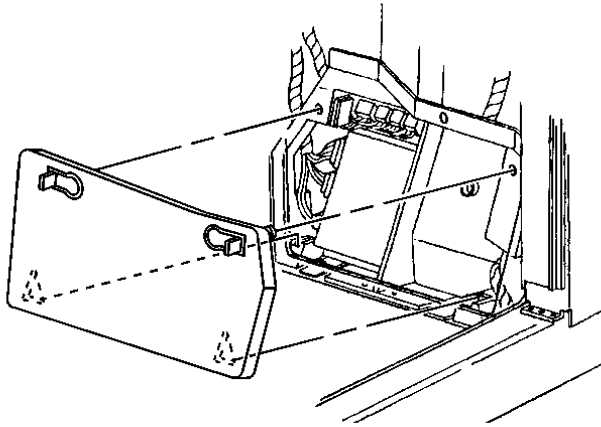
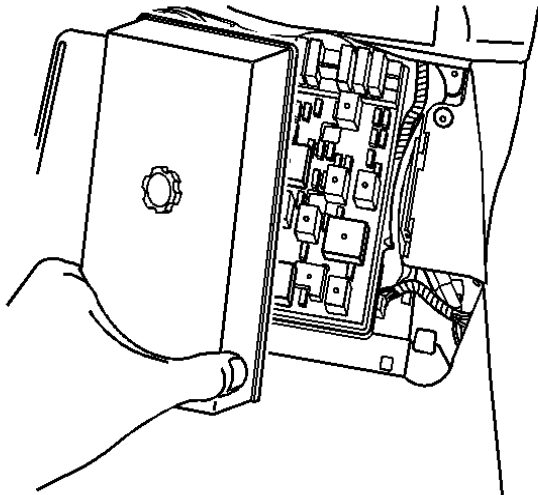


Headlamp Replacement

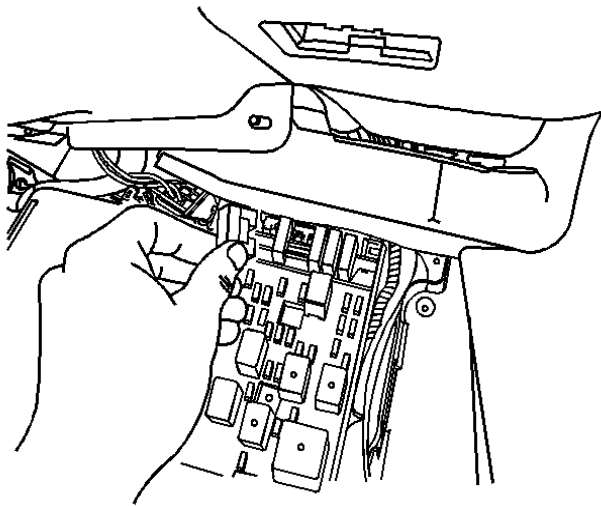
Removal Procedure



1. Remove the passenger side front floor kick up panel to access the IP electrical center.

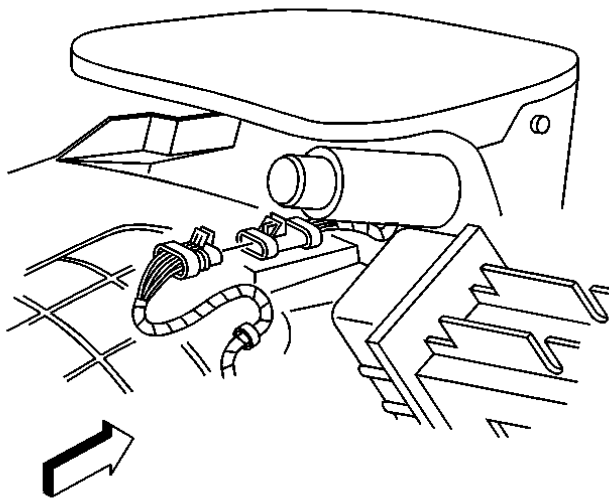


2. Remove the cover from the IP electrical center.

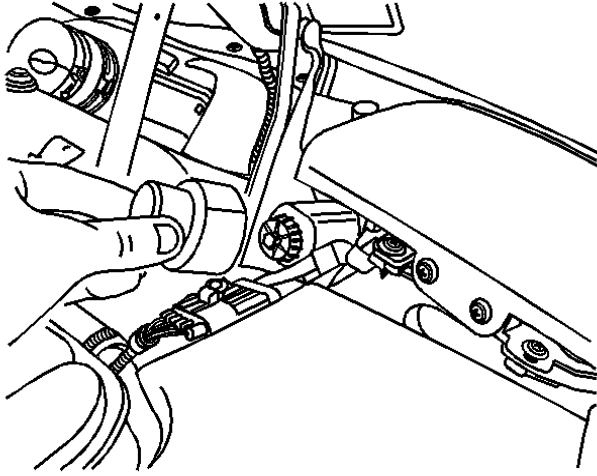


3. Remove the HDLP Maxi circuit breaker #54, from the IP electrical center.
4. Raise the hood.

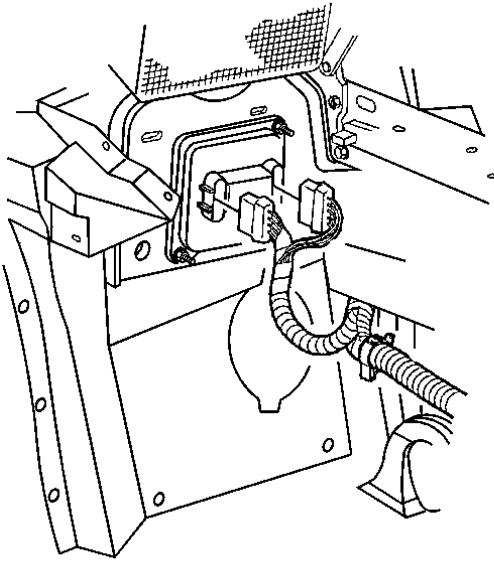
© 2017 General Motors Corporation. All rights reserved.



5. Disconnect the headlamp wiring harness electrical connector from the forward lamp wiring harness.



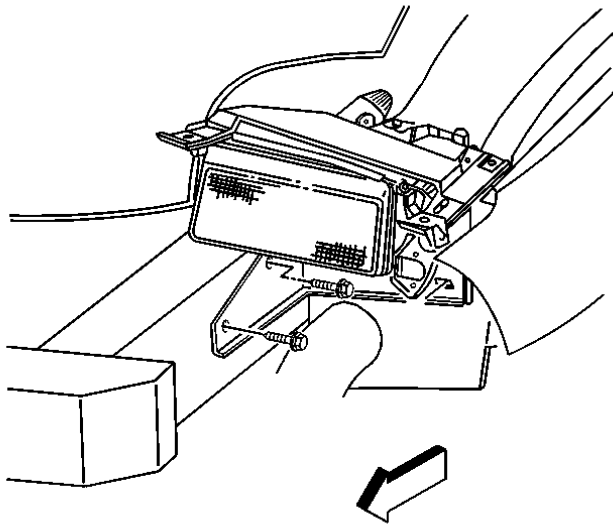
6. Remove the headlamp actuator knob cover.
7. Raise the headlamp by turning the headlamp motor/actuator manual control knob counterclockwise.



8. Remove the headlamp bezel. Refer to [Headlamp Bezel Replacement](#) .

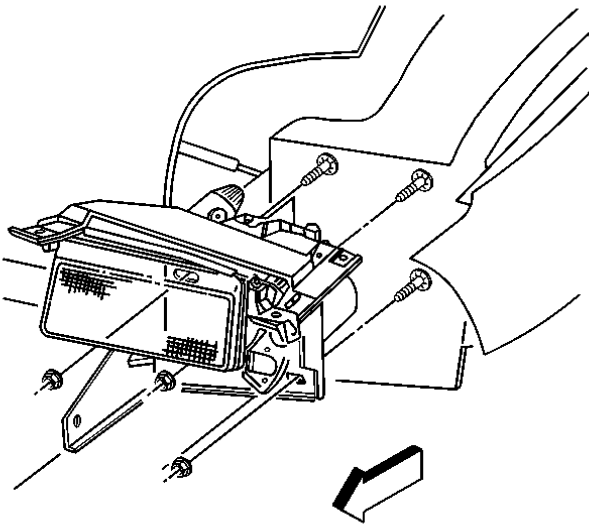
Notice: When removing body panels, apply tape to corners of panel and adjacent surfaces to help prevent paint damage.

9. Apply tape to the fender and hood edge to protect the paint.
10. Remove the front fascia lower closeout panel. Refer to [Front Bumper Fascia Lower Close Out Panel Replacement](#) in Bumpers.
11. Remove the brake caliper cooling duct. Refer to [Front Brake Caliper Cooling Duct Replacement](#) in Bumpers.
12. Disconnect the electrical connectors from the headlamp automatic control module, RH side only.



Important: Before removing the fasteners, support the headlamp assembly.

13. Remove the headlamp bracket to the frame rail bolts.



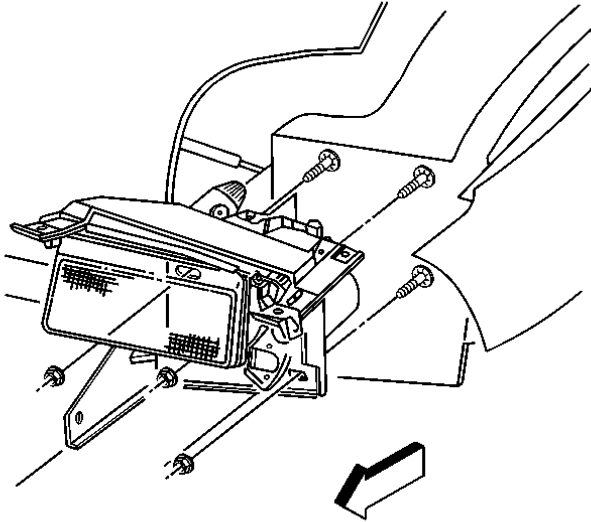
Important: The headlamp assembly will have to clear the studs extending from the headlamp stud plate.

14. Remove the headlamp bracket nuts from the headlamp stud plate.
15. Lift the headlamp assembly out of the vehicle.
16. Remove the headlamp intermediate bracket from the headlamp. Refer to [Headlamp Intermediate Bracket Replacement](#) .
17. Remove the headlamp motor/actuator from the headlamp. Refer to [Headlamp Motor/Actuator Replacement](#) .

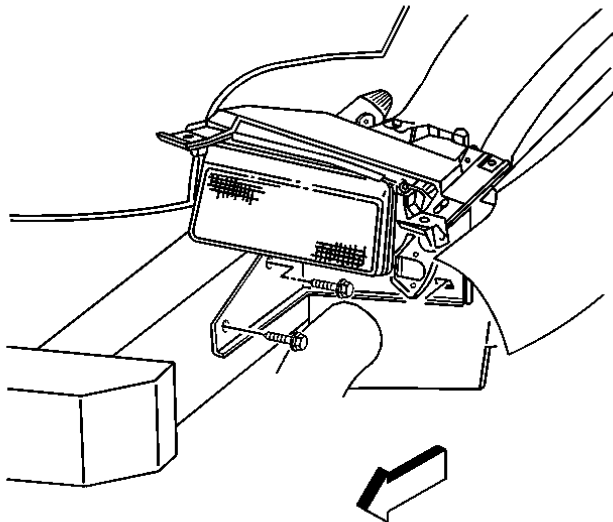
18. Remove the headlamp capsule from the headlamp. Refer to [Headlamp Capsule Replacement](#) .

Installation Procedure

1. Install the headlamp capsule to the headlamp. Refer to [Headlamp Capsule Replacement](#) .
2. Install the headlamp motor/actuator to the headlamp. Refer to [Headlamp Motor/Actuator Replacement](#) .
3. Install the headlamp intermediate bracket to the headlamp. Refer to [Headlamp Intermediate Bracket Replacement](#) .



4. Position the headlamp assembly onto the studs extending from the headlamp stud plate.
5. Loosely install the headlamp bracket to the headlamp stud plate nuts.



6. Install the headlamp bracket to the frame rail bolts.

Notice: Use the correct fastener in the correct location. Replacement fasteners must be the correct part number for that application. Fasteners requiring replacement or fasteners requiring the use of thread locking compound or sealant are identified in the service procedure. Do not use paints, lubricants, or corrosion inhibitors on fasteners or fastener joint surfaces unless specified. These coatings affect fastener torque and joint clamping force and may damage the fastener. Use the correct tightening sequence and specifications when installing fasteners in order to avoid damage to parts and systems.

7. Beginning with the upper location, tighten the headlamp bracket to the frame rail bolts.

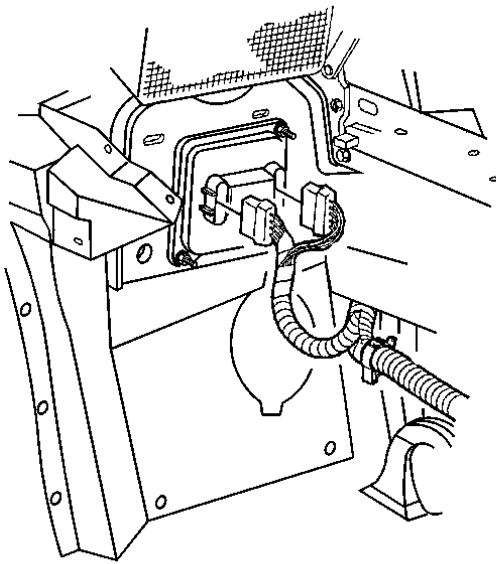
Tighten

Tighten the headlamp mounting bolts to 20 N·m (15 lb ft).

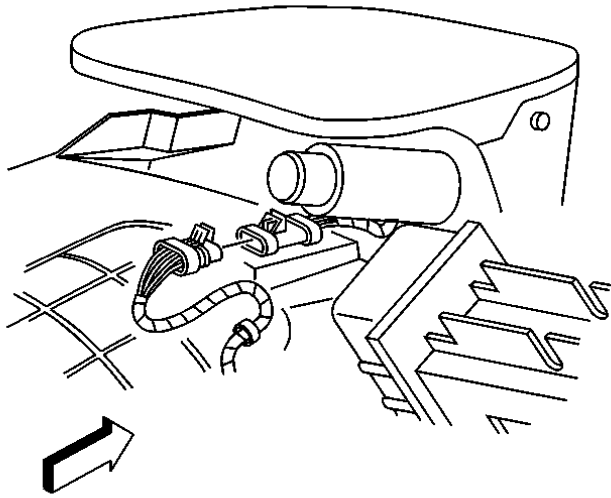
8. Beginning with the upper inner location, tighten the headlamp to stud plate nuts.

Tighten

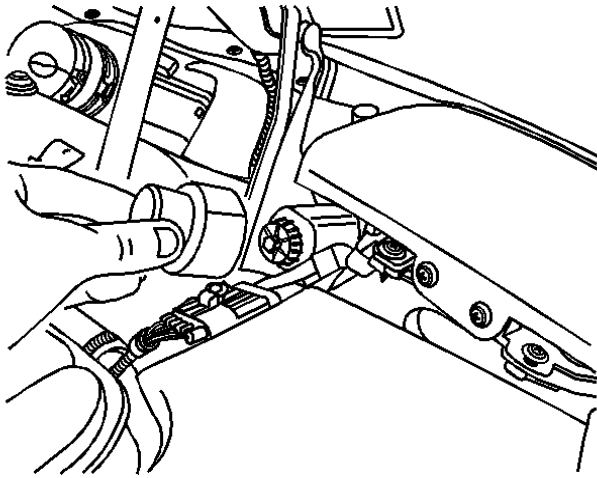
Tighten the headlamp mounting nuts to 10 N·m (89 lb in).



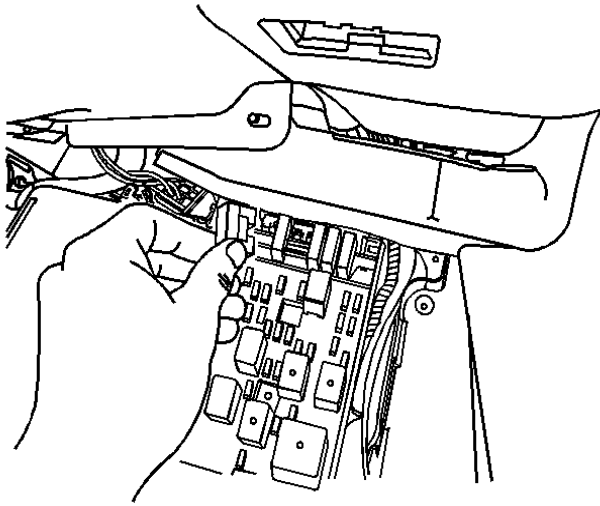
9. Connect the electrical connectors to the headlamp automatic control module, RH side.
10. Install the brake caliper cooling duct. Refer to [Front Brake Caliper Cooling Duct Replacement](#) in Bumpers.
11. Install the front fascia lower closeout panel. Refer to [Front Bumper Fascia Lower Close Out Panel Replacement](#) in Bumpers.
12. Install the headlamp bezel. Refer to [Headlamp Bezel Replacement](#) .



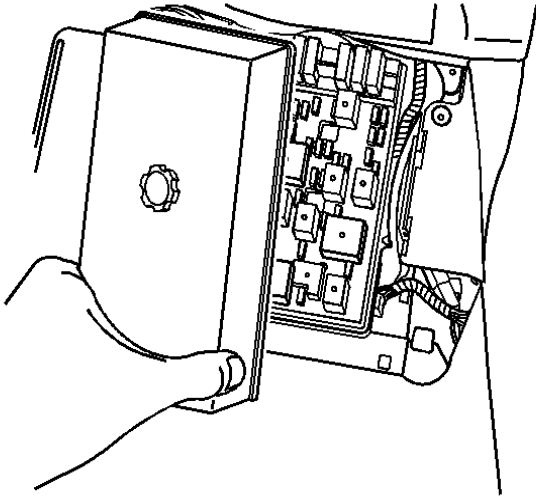
13. Connect the headlamp wiring harness electrical connector to the forward lamp wiring harness.
14. Rotate the headlamp motor/actuator manual control knob clockwise to lower the headlamp.



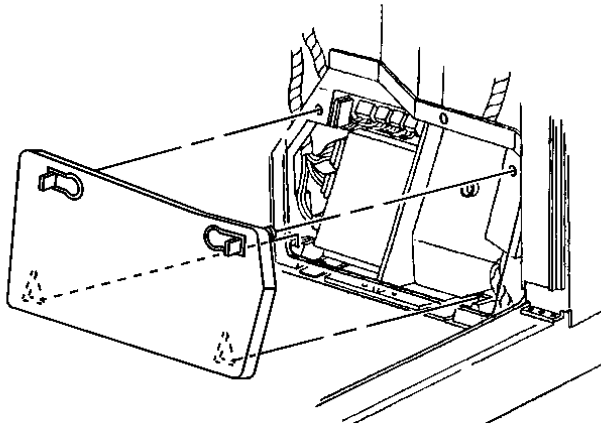
15. Install the headlamp motor/actuator knob cover.
16. Remove the protective tape installed during removal of the headlamp.
17. Close the hood.



18. Install the HDLP Maxi circuit breaker #54 into the IP electrical center.



19. Install the cover to the IP electrical center.



20. Install the floor kick up panel.
21. Check the alignment of the headlamp opening door. Refer to [Headlamp Opening Door Adjustment](#) .
22. Check and adjust headlamp aim as necessary. Refer to [Headlamp Aiming](#) .