

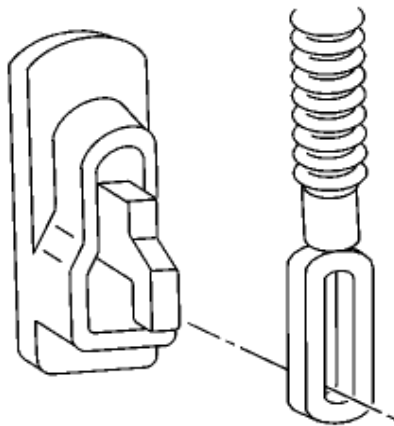
<- Back

Forward ->

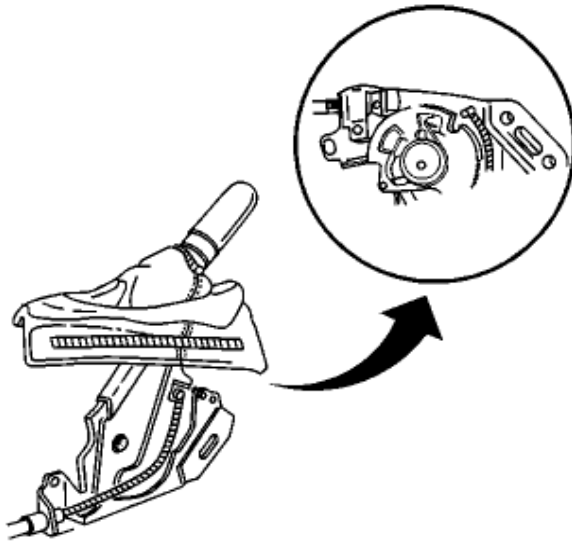
Document ID# 775037
2003 Chevrolet Corvette

Print

Enabling the Park Brake Cable Automatic Adjuster



1. Raise and support the vehicle. Refer to [Lifting and Jacking the Vehicle](#) in General Information.
2. Remove the rear tire and wheel assembly. Refer to [Tire and Wheel Removal and Installation](#) in Tires and Wheels.
3. Install the park brake cable to the left and right park brake actuators.
4. Install the rear tire and wheel assembly. Refer to [Tire and Wheel Removal and Installation](#) in Tires and Wheels.
5. Lower the vehicle.



6. Reposition the carpet away from the parking brake lever.
7. Remove any rivet, drill bit or cotter key from the park brake lever.
8. Install the park brake cable to the park brake lever.
9. Install the carpet to its original position.
10. Cycle the park brake lever three times in order to obtain proper park brake cable tension.

[<- Back](#)[Forward ->](#)

Document ID# 775037
2003 Chevrolet Corvette

[Print](#)