

<- Back

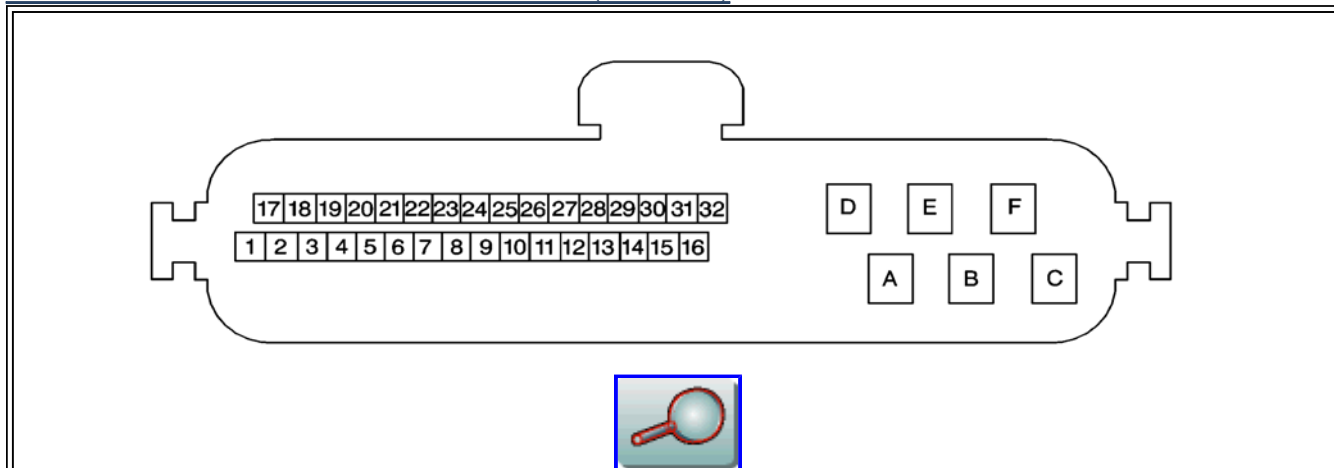
Forward ->

Document ID# 492485
1999 Chevrolet/Geo Corvette

Print

ABS Connector End Views

Electrical Brake Traction Control Module (EBTCM)



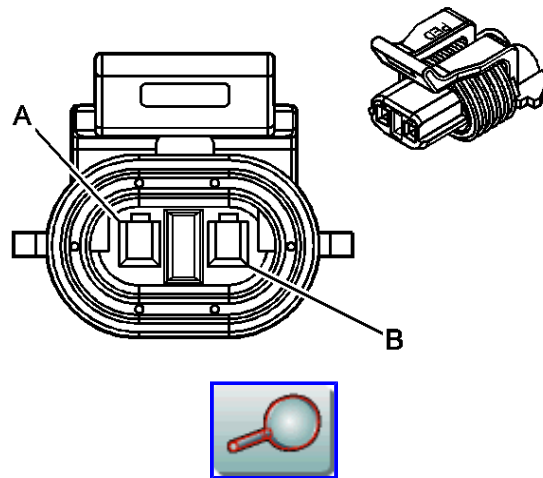
Connector Part Information

- 12160888
- 32 Way F Micro-Pack 100 Series (NAT)

Pin	Wire Color	Circuit No.	Function
A	BRN	641	Ignition positive voltage (ON)
B	BLK/WHT	1251	Ground
C	GRY	1787	Motor feed (High) (Magna steer)
D	RED	1242	Battery positive voltage (Solenoid valve)
E	RED	1642	Battery positive voltage (Pump Motor)
F	WHT	345	Motor feed (Low) (Magna Steer)
1-3	--	--	Not Used
4	LT BLU	1764	Steering wheel position sensor (SWPS) - B
5	--	--	Not Used
6	TAN/BLK	464	Delivered torque
7	GRY	1524	Back up lamp switch input (JL4)
8	--	--	Not Used
9	LT BLU	20	Stoplamp switch input
10	LT BLU	1122	Class 2 Serial Data
11	GRY	1056	+5 volt reference
12	BLK	884	LR Wheel Speed Sensor (High)
13	WHT	883	RR Wheel Speed Sensor (High)
14	TAN	833	RF Wheel Speed Sensor (High)

15	YEL	873	LF Wheel Speed Sensor (High)
16	--	--	Not Used
17	LT BLU	914	SWPS Pulse
18	--	--	Not Used
19	WHT	1765	Brake Pressure Deferential Switch Input (Without JL4)
19	LT BLU	1659	Brake Pressure Deferential Switch Input (JL4)
20	LT GRN	1763	SWPS A
21	DK BLU	910	Yaw Rate Sensor Input (W/ JL4)
22	LT GRN/BLK	1338	Lateral Accelerometer Input (W/ JL4)
23	LT BLU	1059	SWPS Signal
24	BLK	901	Brake Pressure Sensor Input (W/ JL4)
25	ORN/BLK	463	Requested Torque
26	--	--	Not Used
27	ORN/BLK	556	Sensor Ground
28	RED	885	LR Wheel Speed Sensor (Low)
29	BRN	882	RR Wheel Speed Sensor (Low)
30	DK GRN	872	RF Wheel Speed Sensor (Low)
31	LT BLU	830	LF Wheel Speed Sensor (Low)
32	--	--	Not Used

Brake Pressure Deferential Switch (JL4)

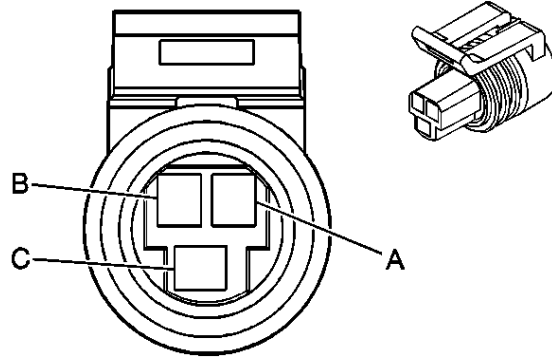


Connector Part Information

- 12052646
- 2 Way F Metri-Pack 150 Series (WHT)

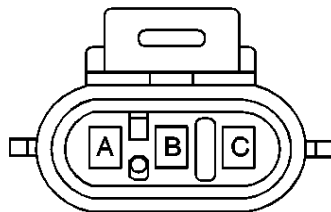
Pin	Wire Color	Circuit No.	Function
A	LT BLU	1659	Brake pressure differential switch output
B	BLK	150	Ground

Brake Pressure Sensor (JL4)



Connector Part Information		<ul style="list-style-type: none"> • 12186827 • 3 Way F Metri-Pack 150 Series P2S (BLK) 	
Pin	Wire Color	Circuit No.	Function
A	ORN/BLK	556	Ground
B	GRY	1056	+5 volt reference
C	BLK	901	Brake pressure sensor output

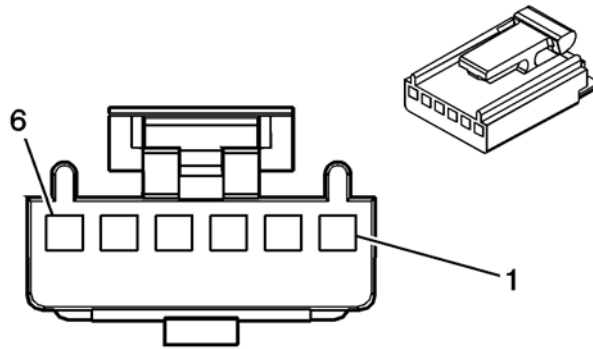
Lateral Accelerometer



Connector Part Information		<ul style="list-style-type: none"> • 12146121 • 3 Way F Metri-Pack 150 Series (BRN) 	
Pin	Wire Color	Circuit No.	Function
A	GRY	1056	+5 volt reference
B	LT GRN/BLK	1338	Lateral Accelerometer output
C	ORN/BLK	556	Ground

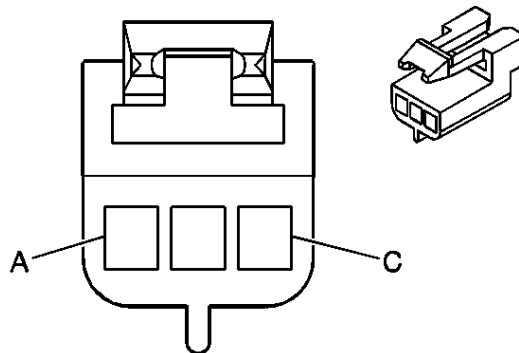
Steering Column Position Sensor

--	--	--	--



Connector Part Information		<ul style="list-style-type: none"> • 1206 4978 • 6 Way F Micro-Pack 100 Series (GRY) 	
Pin	Wire Color	Circuit No.	Function
1	GRY	1056	+5 volt reference
2	ORN/BLK	556	Ground
3	LT GRN	1763	Phase A output
4	LT BLU	1764	Phase B output
5	WHT	1765	Index Signal (Without JL4)
6	LT BLU	1059	Analog Signal Output

Yaw Rate Sensor (JL4)



Connector Part Information		<ul style="list-style-type: none"> • 12064758 • 3 Way F 150 Metri-Pack Series (BLK) 	
Pin	Wire Color	Circuit No.	Function
A	GRY	1056	+5 volt reference
B	ORN/BLK	556	Ground
C	DK BLU	910	Yaw rate sensor output

[<- Back](#)

[Forward ->](#)

Document ID# 492485
1999 Chevrolet/Geo Corvette

[Print](#)