

Data Link Communications Connector End Views

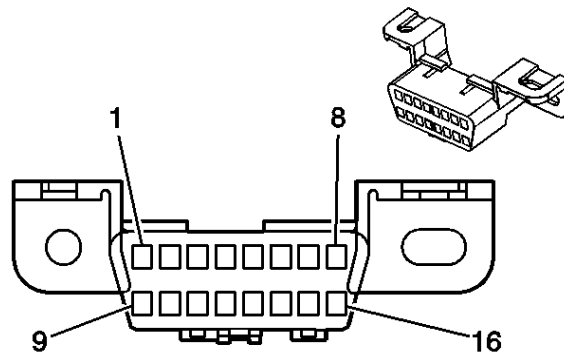
Table 1: [Data Link Connector \(DLC\)](#)



Table 2: [Star Connector 1](#)

Table 3: [Star Connector 2](#)

Data Link Connector (DLC)



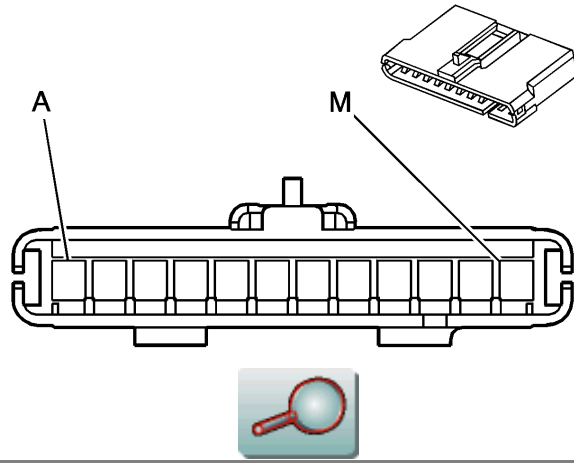
Connector Part Information

- 12110250
- 16-Way F Metri-Pack 150 Series (BLK)

Pin	Wire Color	Circuit No.	Function
1	--	--	Not Used
2	PPL	1132	Serial Data
3	--	--	Not Used
4	BLK	150	Ground
5	BLK/WHT	851	Ground
6-13	--	--	Not Used
14	DK GRN	835	Diagnostic Signal -Entertainment and Comfort
15	--	--	Not Used
16	ORN	1240	Battery Positive Feed

Star Connector 1



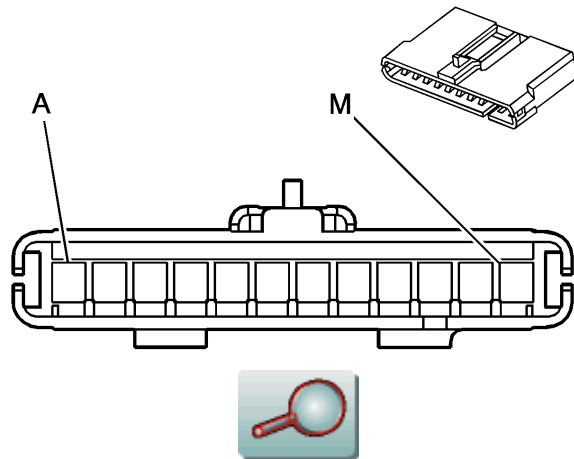


Connector Part Information

- 15317802
- 12-Way F Metri-Pack 150 Series (GRY)

Pin	Wire Color	Circuit No.	Function
A	PPL	1132	DLC Class 2 Serial Data
B	DK GRN	1049	PCM Class 2 Serial Data
C	--	--	Not Used
D	ORN	1044	Radio Class 2 Serial Data
E	LT BLU	1122	ABS/TCS Class 2 Serial Data
F	DK BLU	1128	SDM Class 2 Serial Data
G	GRY	1036	IPC Class 2 Serial Data
H	DK BLU/WHT	1126	SCM (Suspension) Class 2 Serial Data
J	PNK	1045	RFA Class 2 Serial Data
K	--	--	Not Used
L	WHT	1038	HVAC Class 2 Serial Data
M	LT GRN	1037	BCM Class 2 Serial Data

Star Connector 2



Connector Part Information

- 15317802

• 12-Way F Metri-Pack 150 Series (GRY)

Pin	Wire Color	Circuit No.	Function
A	PPL	1132	DLC Class 2 Serial Data
B	--	--	Not Used
C	BRN	1046	DDM Class 2 Serial Data
D	TAN	1047	PDM Class 2 Serial Data
E -- J	--	--	Not Used
K	BRN/WHT	1048	SCM (Seat) Class 2 Serial Data
L -- M	--	--	Not Used

<- Back

Forward ->

Document ID# 1211014
2004 Chevrolet Corvette

Print