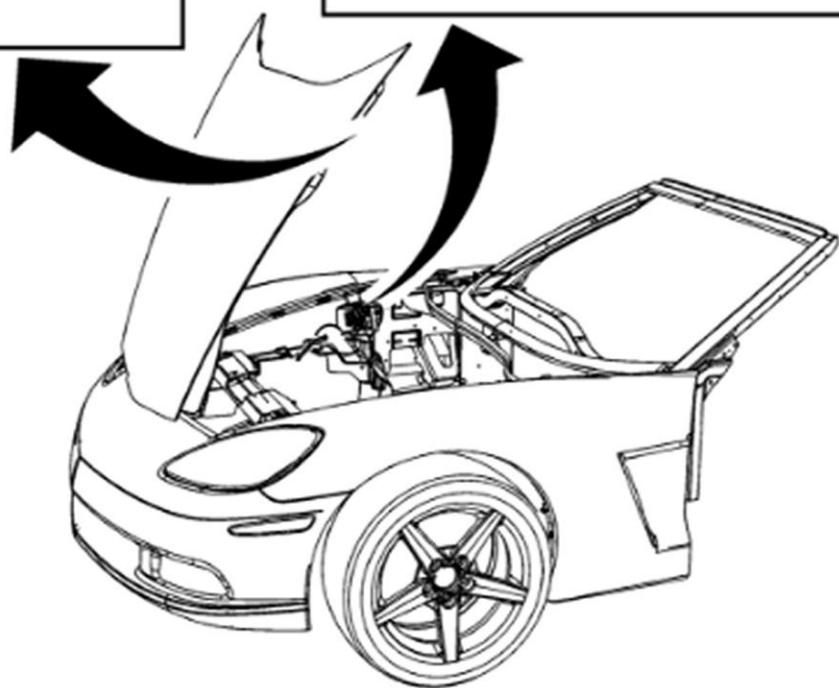
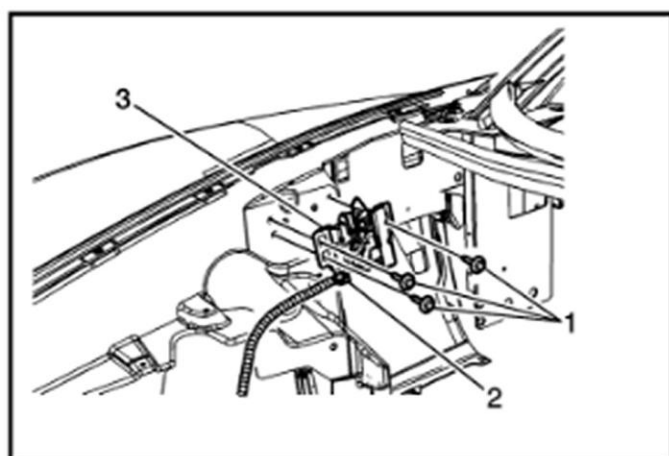
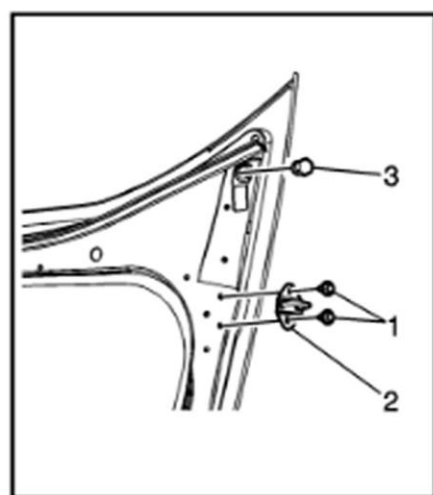


Bumper, Striker, Latch Replacement - Hood



Hood Latch Striker Replacement

1	Bolts, Hood Latch Striker (Qty: 2) Tighten 109 N·m (89 lb in)
2	Striker, Hood Latch Striker Tip <ul style="list-style-type: none">• Mark the location of the striker on the hood using a grease pencil.• Adjust as necessary.

Hood Bumper Replacement

3	Bumper, Hood Bumper Tip Adjust as necessary.
---	--

Hood Latch Replacement

1	Bolt, Hood Latch (Qty: 3) Tighten 10 N·m (89 lb in)
2	Release Cable, Hood Latch Tip Disconnect the cable sheath grommet from the latch.
3	Latch, Hood Latch Tip <ul style="list-style-type: none">• Mark the perimeter of the latch using a grease pencil.• Adjust as necessary.
