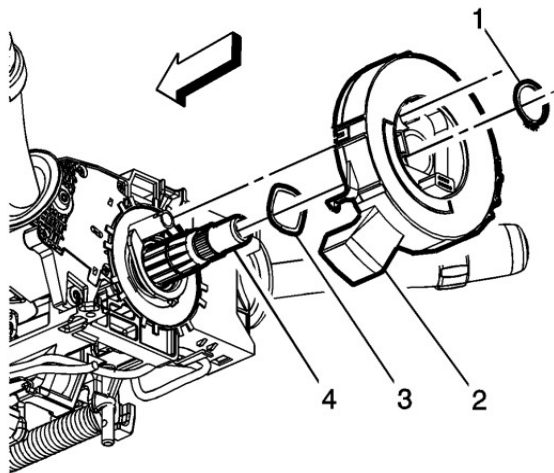


Steering Wheel Airbag Coil Replacement

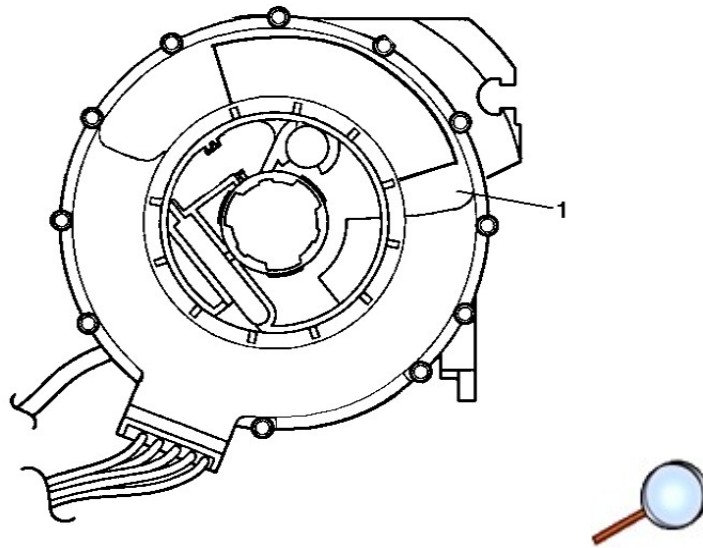
Removal Procedure

1. Disable the SIR system. Refer to [SIR Disabling and Enabling](#).
2. Remove the steering wheel. Refer to [Steering Wheel Replacement](#).
3. Remove the upper and lower steering column trim cover assembly. Refer to [Steering Column Trim Cover Replacement](#).
4. Remove the steering column wire harness from the steering column wire harness straps.



5. Remove the steering wheel inflatable restraint module coil retaining ring (1).
Note: If steering column assembly is removed from the vehicle and the inflatable restraint steering wheel module coil and steering wheel position sensor have been removed, it is OK to remove the J42640 steering column anti-rotation pin.
6. Remove the inflatable restraint steering wheel module coil (2) from the steering shaft (4).

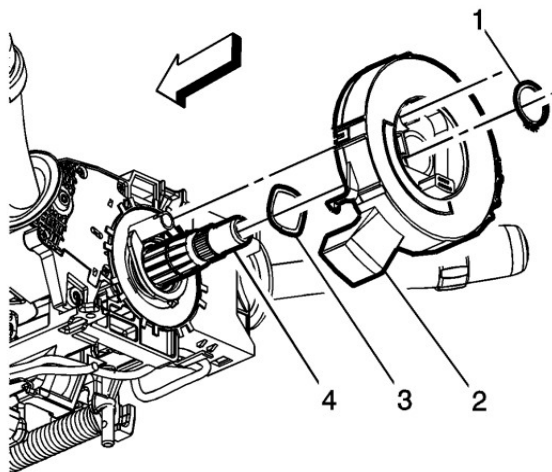
Installation Procedure



Note: If not installed, insert the J42640 steering column anti-rotation pin.

Note: Center the inflatable restraint steering wheel module coil assembly before installation.

1. Align the wheels straight ahead.
2. Center the inflatable restraint steering wheel module coil assembly (1), if needed. Refer to [Airbag Steering Wheel Module Coil Centering](#).



3. Install the existing inflatable restraint steering wheel module coil assembly (2) to the steering column assembly (4) following these steps:
 - 3.1. Position the inflatable restraint steering wheel module coil assembly (2) to the steering column shaft (4).
 - 3.2. Align the opening in the inflatable restraint steering wheel module coil assembly (2) with the horn tower on the turn signal switch cancel cam and the locating bump between the 2 tabs on the turn signal bracket.

- 3.3. Seat the inflatable restraint steering wheel module coil assembly (2) onto the steering column shaft (4).
4. Install a new inflatable restraint steering wheel module coil assembly (2) to the steering column assembly (4) following these steps:
 - 4.1. Assemble the pre-centered inflatable restraint steering wheel module coil assembly (2) to the steering column shaft (4).
 - 4.2. Position the inflatable restraint steering wheel module coil assembly (2) to the steering column shaft (4).
 - 4.3. Align the opening in the inflatable restraint steering wheel module coil assembly (2) with the horn tower on the turn signal switch cancel cam and the locating bump between the 2 tabs on the turn signal bracket.
 - 4.4. Remove and discard the inflatable restraint steering wheel module coil centering tab.
5. Install the steering wheel inflatable restraint module coil retaining ring (1) to the steering column shaft (4).
6. Route the lower steering wheel inflatable restraint module coil wire harness along the steering column.
7. Install the steering column wire harness to the wire harness straps.
8. Install the steering wheel. Refer to [Steering Wheel Replacement](#).
9. Install the upper and lower trim cover assembly. Refer to [Steering Column Trim Cover Replacement](#).
10. Enable the SIR system. Refer to [SIR Disabling and Enabling](#).