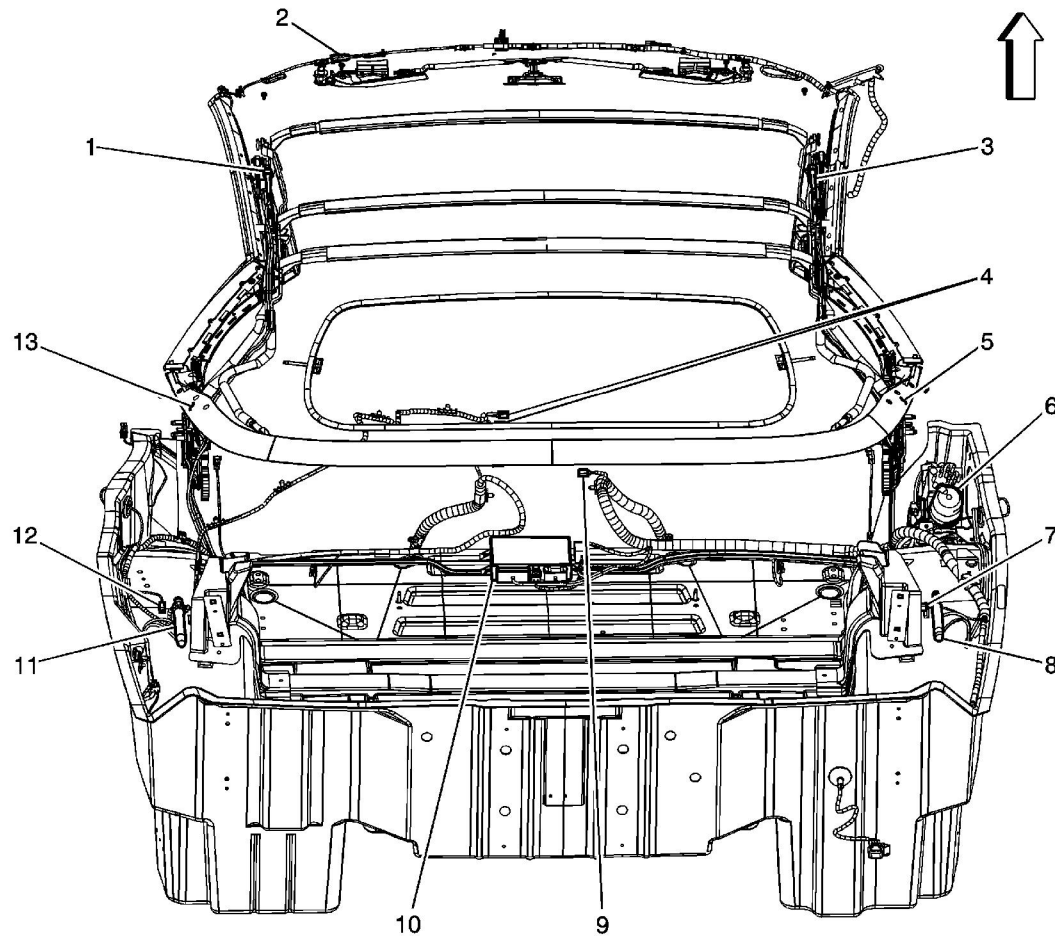


Folding Top Harness Routing Components



- (1) Hydraulic Cylinder
- (2) Header Latched Switch
- (3) Hydraulic Cylinder
- (4) Folding Top Cover Latch Actuator
- (5) Hydraulic Cylinder
- (6) Pump and Valve Assembly (CM7)
- (7) Luggage Barrier Switch Connector (CM7)
- (8) Actuator
- (9) Folding Top Cover Pulldown Actuator (CM7)
- (10) Folding Top Control Module (FTM) (CM7)
- (11) Actuator

© 2019 General Motors Corporation. All rights reserved.

(12) Folding Top Cover Open Switch (CM7)

(13) Actuator