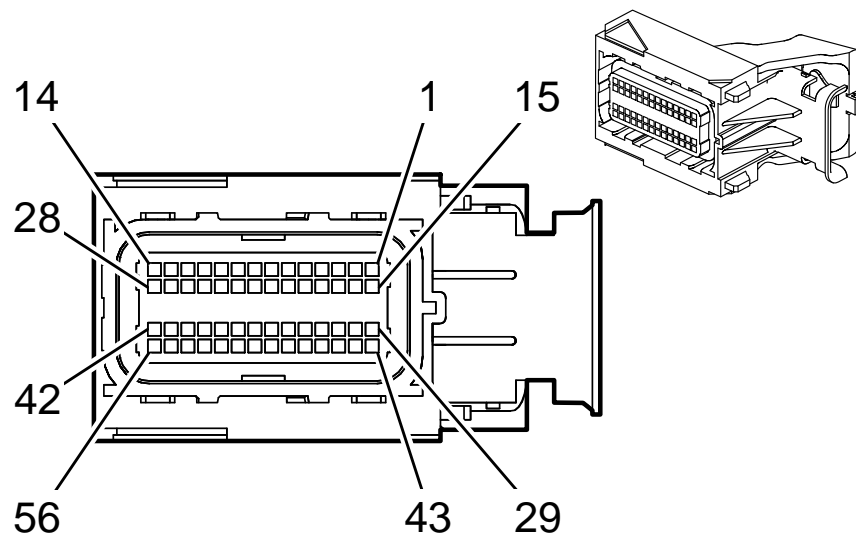


Engine Control Module (ECM) X1 (LS9)



Connector Part Information

- Harness Type: Engine
- OEM Connector: 34576-5803
- Service Connector: 88988373
- Description: 56-Way F MX123 34567 Series, Sealed (BU)

Terminal Part Information

- Pins: 7, 9, 12, 13, 18, 25, 26, 33-37, 39, 40, 44, 45, 47-9, 53, 55
- Terminated Lead: 13575811
- Release Tool: J-38125-213
- Diagnostic Test Probe: J-35616-64B (L-BU)
- Terminal/Tray: 33467-0003/23
- Core/Insulation Crimp: H/H
- Pins: 19, 20, 46
- Terminated Lead: 13575812
- Release Tool: J-38125-213
- Diagnostic Test Probe: J-35616-64B (L-BU)
- Terminal/Tray: 33467-0005/23
- Core/Insulation Crimp: J/J

Engine Control Module (ECM) X1 (LS9)

Pin	Wire	Circuit	Function
1–6	—	—	Not Used
7	0.35 WH	17	Low Reference
8	—	—	Not Used
9	0.35 TN	2759	Low Reference
10–11	—	—	Not Used
12	0.35 BN/WH	419	Malfunction Indicator Lamp (MIL) Control
13	0.35 D-GN/WH	465	Fuel System Control Module Signal Fuel Pump Relay Control – Primary
14–17	—	—	Not Used
18	0.35 YE	43	Ignition Voltage
19	0.5 PK	1439	Ignition Voltage
20	0.5 RD/WH	2440	Battery Positive Voltage
21–24	—	—	Not Used
25	0.35 WH	121	Engine Speed Signal
26	0.35 PU/WH	6386	Starter Enable Relay Control
27–32	—	—	Not Used
33	0.35 WH/BK	1164	5-Volt Reference
34	0.35 GY	2709	Fuel Tank Pressure Sensor 5-Volt Reference
35	0.35 TN	1274	5-Volt Reference
36	0.35 BN	1271	Low Reference
37	0.35 PU	1272	Low Reference
38	—	—	Not Used

© 2014 General Motors. All rights reserved.

Pin	Wire	Circuit	Function
39	0.35 D-GN/WH	817	Vehicle Speed Signal (VSS)
40	0.35 WH/BK	448	Ignition Relay Control
41–43	—	—	Not Used
44	0.35 D-BU	1936	Fuel Level Sensor Signal – Primary
45	0.35 L-BU	1937	Fuel Level Sensor – Secondary
46	0.5 BN	7123	Super Charger Inlet Air Pressure Sensor Signal
47	0.35 D-BU	1161	Accelerator Pedal Position (APP) Sensor 1 Signal
48	0.35 D-GN	890	Fuel Tank Pressure Sensor Signal
49	0.35 L-BU	1162	Accelerator Pedal Position (APP) Sensor 2 Signal
50–52	—	—	Not Used
53	0.35 D-GN/WH	450	Ground
54	—	—	Not Used
55	0.35 WH	1310	EVAP Canister Vent Solenoid Valve Control
56	—	—	Not Used