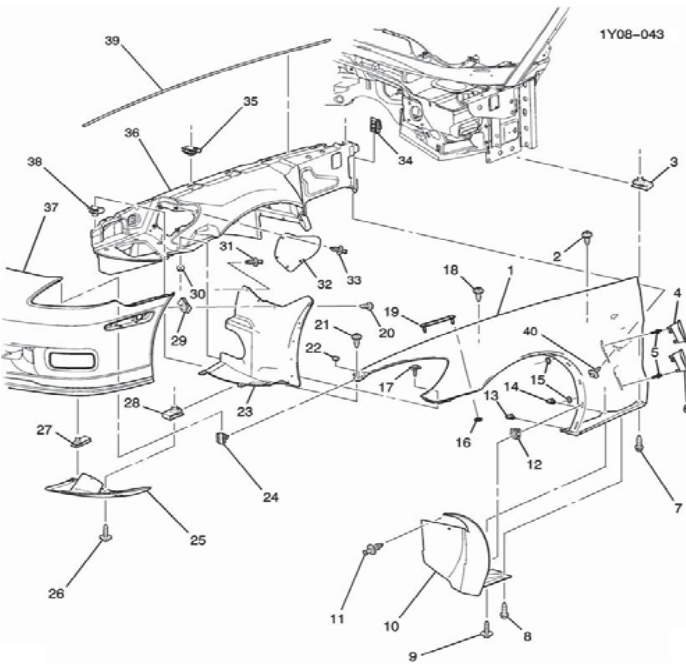


**Y87 FENDER & WHEELHOUSE/FRONT END (SSC)
Figure 1Y08-043**

ITEM	PART NUMBER	DESCRIPTION	Price, Original	LBS.
1	20929484	FENDER,FRT(W/O SIDE MARKER REPEATER HOLE) - LH. Required: 01 For: Y87 PERF PKG(SSC),(2ND DES) (2010-2011)	\$1,747.36	
1	20929485	FENDER,FRT(W/O SIDE MARKER REPEATER HOLE) - RH. Required: 01 For: Y87 PERF PKG(SSC),(2ND DES) (2010-2011)	\$1,747.36	
4	20823544	ORNAMENT	\$49.12	
4	20823546	ORNAMENT	\$49.12	
5	25783624	STUD,F/FDR ORNA(M6X1X25) Required: AR For: YY87 SUPER SPORT PERF PKG(SSC) (2009-2011)	\$1.10	
6	20823543	ORNAMENT	\$49.12	
6	20823545	ORNAMENT	\$49.12	
9	10284014	BOLT,FRT W/H LNR(TO RAIL)(M6.3X1.27-25 HEX HD) Required: 04 For: Y (2005-2011)	\$4.25	
10	15827791	LINER,FRT W/H RR - RH. Required: 01 For: Y87 (2006-2011)	\$40.93	
10	15827792	LINER,FRT W/H RR - LH. Required: 01 For: Y87 (2006-2011)	\$41.62	
12	11609934	RETAINER	\$3.49	
17	25651470	STUD,F/FDR(M6X1X24.5MM)(W/14.7X19.7MM CLIP) Required: 02 For: Y87 (2006-2011)	\$4.25	
19	15793403	REINFORCEMENT,F/FDR FRT. Required: 02 For: Y87 (2006-2011)	\$12.55	
22	15230658	BUMPER,F/FDR FRT. Required: 02 For: Y87 (2007-2011)	\$4.18	
23	15834373	LINER,FRT W/H FRT - LH. Required: 01 For: Y87 (2007-2011)	\$41.19	
23	15834374	LINER,FRT W/H FRT - RH. Required: 01 For: Y87 (2007-2011)	\$41.05	
24	11561329	RETAINER,FRT BPR UPR FASCIA(TO FENDER)(NATURAL)(20 X 14 X 15.8)(PLASTIC TREE). Required: 02 For: Y (2005-2011)	\$4.78	
25	15252929	EXTENSION,FRT W/H PNL FRT - LH. Required: 01 For: YY87 (2006-2011)	\$73.82	
25	15252930	EXTENSION,FRT W/H PNL FRT - RH. Required: 01 For: YY87 (2006-2011)	\$73.72	
32	10325798	PANEL,HDLP ACC(HAS 6 ATTACHMENT HOLES). Required: 02 For: Y (2005-2011)	\$58.23	
33	10134407	BOLT,HDLP ACC PNL(EBONY)(17.8 X 6.3 X 20.4MM)(Nylon)(Round Push-In Incls Push Button Lock) Required: 12 For: Y (2005-2011)	\$0.85	
35	11561333	NUT,F/FDR(SPRING,U SHAPED,M4.2X1.41,5 PRONG,4 HOLE)(POSN #2). Required: 12 For: Y (2005-2011)	\$4.07	
36	25890181	PANEL,FRT W/H - LH. Required: 01 For: Y87 (2006-2011)	\$649.58	
36	25890182	PANEL,FRT W/H(WHEN REPL PANEL 15823164, USE PANEL 25961367 TOGETHER WITH 11561674(QTY 1) UPC/FNA 12F/0540A BOLT/SCREW,ECM BRKT) - RH. Required: 01 For: Y87 (2009-2011)	\$601.43	

Note:

AR = Use as required, LBS = Pounds



Y07-67 FENDER & WHEELHOUSE/FRONT END (GRAND SPORT PACKAGE Z16)
Figure 1Y08-045

ITEM	PART NUMBER	DESCRIPTION	Price, Original	LBS.
1	15881441	SEAL,HOOD SI - LH. Required: 01 For: Y (2005-2011)	\$24.88	
1	15881442	SEAL,HOOD SI - RH. Required: 01 For: Y (2005-2011)	\$25.18	
2	25890181	PANEL	\$649.58	
2	25890182	PANEL	\$601.43	
3	11561333	NUT,F/FDR(SPRING,U SHAPED,M4.2X1.41,5 PRONG,4 HOLE)(POSN #2). Required: 12 For: Y (2005-2011)	\$4.07	
8	15230658	BUMPER,F/FDR RR. Required: 02 For: Y07-67 (2005-2011)	\$4.18	
9	20897013	FENDER,FRT - LH. Required: 01For: Y07-67 GRAND SPORT PERF PKG(Z16) (2010-2011)	\$731.12	
9	20897014	FENDER,FRT - RH. Required: 01 For: Y07-67 GRAND SPORT PERF PKG(Z16) (2010-2011)	\$628.40	
12	11518663	RETAINER,RR W/H FRT LNR(17.0X9.6)(16.742). Required: 20 For: Y07-67 GRAND SPORT PERF PKG(Z16) (2010-2011)	\$4.20	
17	20824608	PANEL,FRT W/H RR - RH. Required: 01 For: Y07 GRAND SPORT PERF PKG(Z16),DRY SUMP SYSTEM PKG(Z52) (2010-2011)	\$31.27	
17	20882666	PANEL,FRT W/H RR RH Required: 01 For: Y07-67 GRAND SPORT PERF PKG(Z16),(EXC DRY SUMP SYS PKG(Z52) (2010-2011)	\$28.79	
17	20882667	PANEL,FRT W/H RR - LH. Required: 01 For: Y07-67 GRAND SPORT PERF PKG(Z16) (2010-2011)	\$28.79	
19	11609871	RETAINER,FRT BPR FASCIA(PUSH ON). Required: 02 For: Y (2005-2011)	\$0.97	
20	11561329	RETAINER,FRT BPR UPR FASCIA(TO FENDER)(NATURAL)(20 X 14 X 15.8)(PLASTIC TREE). Required: 02 For: Y (2005-2011)	\$4.78	
21	15834373	LINER,FRT W/H FRT - LH. Required: 01 For: YY07-67 GRAND SPORT PERF PKG(Z16) (2010-2011)	\$41.19	
21	15834374	LINER,FRT W/H FRT - RH. Required: 01 For: YY07-67 GRAND SPORT PERF PKG(Z16) (2010-2011)	\$41.05	
27	10342936	PANEL,FRT BPR OTR VAL - LH. Required: 01 For: Y07-67 GRAND SPORT PERF PKG(Z16) (2010-2011)	\$35.71	
27	10342937	PANEL,FRT BPR OTR VAL - RH. Required: 01 For: Y07-67 GRAND SPORT PERF PKG(Z16) (2010-2011)	\$35.71	
30	15252929	EXTENSION,FRT W/H PNL FRT - LH. Required: 01 For: YY07-67 GRAND SPORT PERF PKG(Z16) (2010-2011)	\$73.82	
30	15252930	EXTENSION,FRT W/H PNL FRT - RH. Required: 01 For: YY07-67 GRAND SPORT PERF PKG(Z16) (2010-2011)	\$73.72	
34	25942140	PANEL,F/FDR INR LWR RR - LH. Required: 01 For: Y07-67 GRAND SPORT PERF PKG(Z16) (2010-2011)	\$13.94	
34	25942141	PANEL,F/FDR INR LWR RR - RH. Required: 01 For: Y07-67 GRAND SPORT PERF PKG(Z16) (2010-2011)	\$13.94	
36	10325798	PANEL,HDLP ACC(HAS 6 ATTACHMENT HOLES). Required: 02 For: Y (2005-2011)	\$58.23	
37	10134407	BOLT,HDLP ACC PNL(EBONY)(17.8 X 6.3 X 20.4MM)(NYLON)(Round Push-in Includ Push Button Lock) Requ: 12 For: Y (2005-2011)	\$0.85	
38	20757813	REINFORCEMENT	\$25.00	
38	20757814	REINFORCEMENT	\$25.00	
39	11514517	NUT	\$0.58	

AR = Use as required, LBS = Pounds

