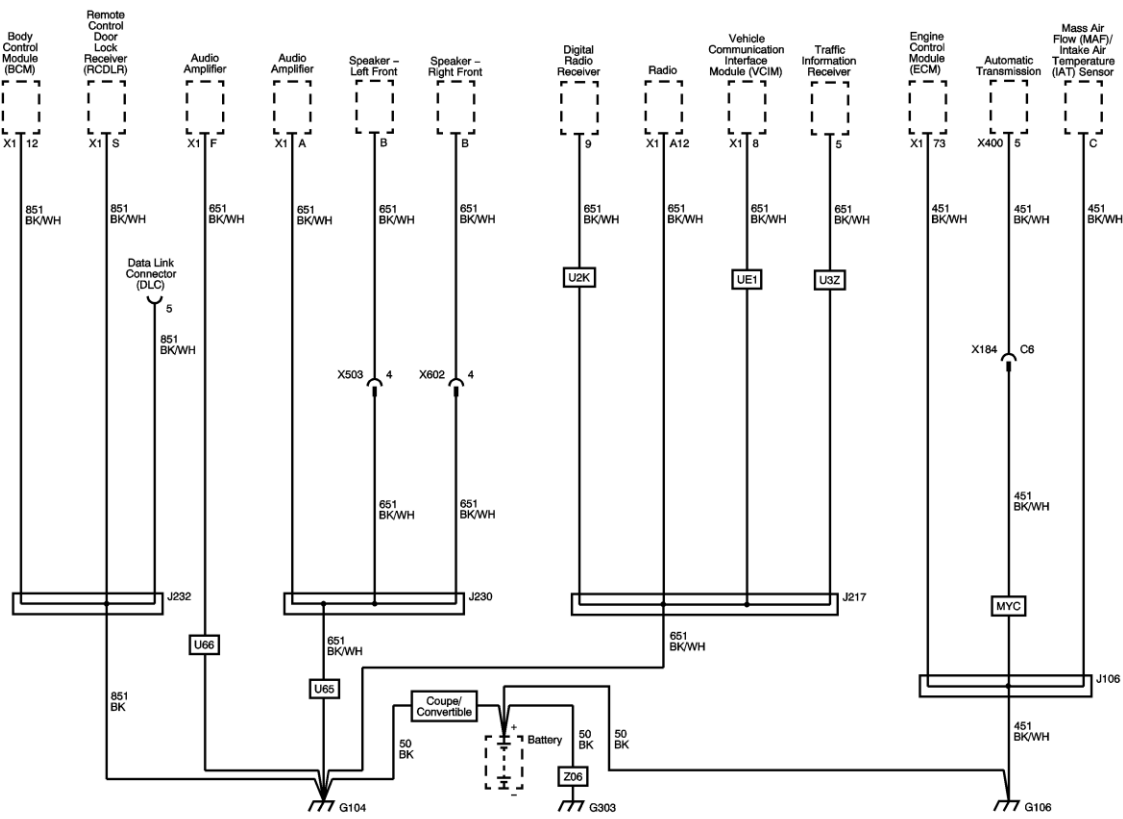
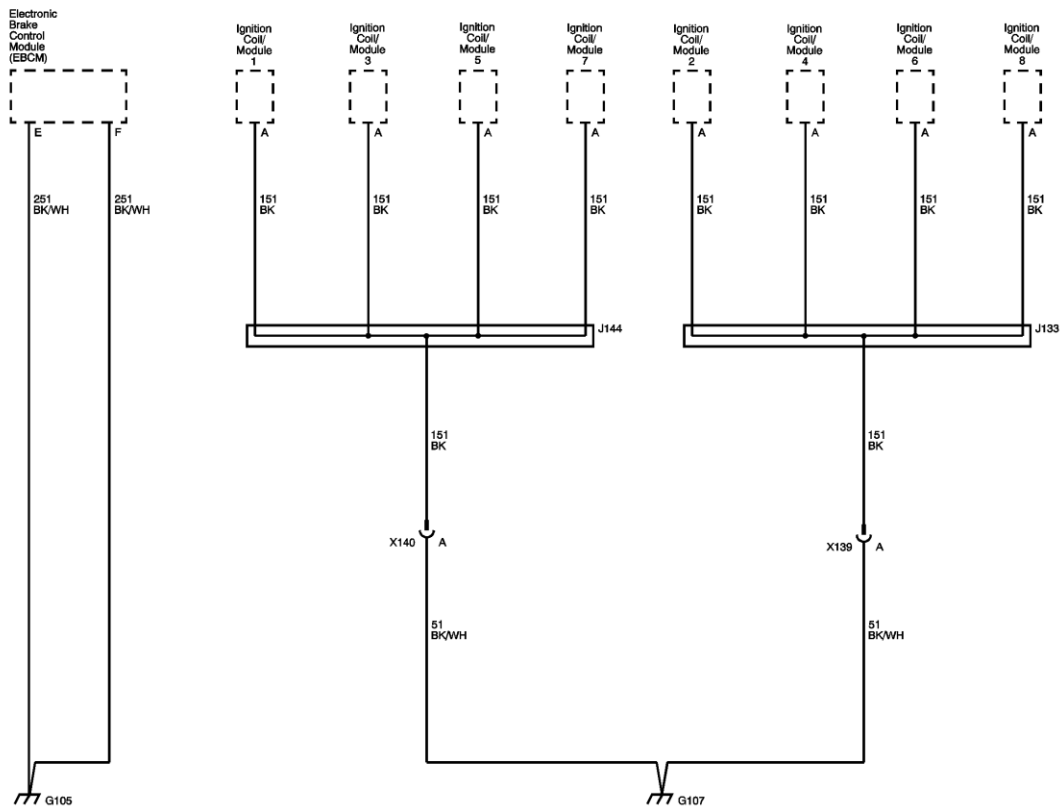
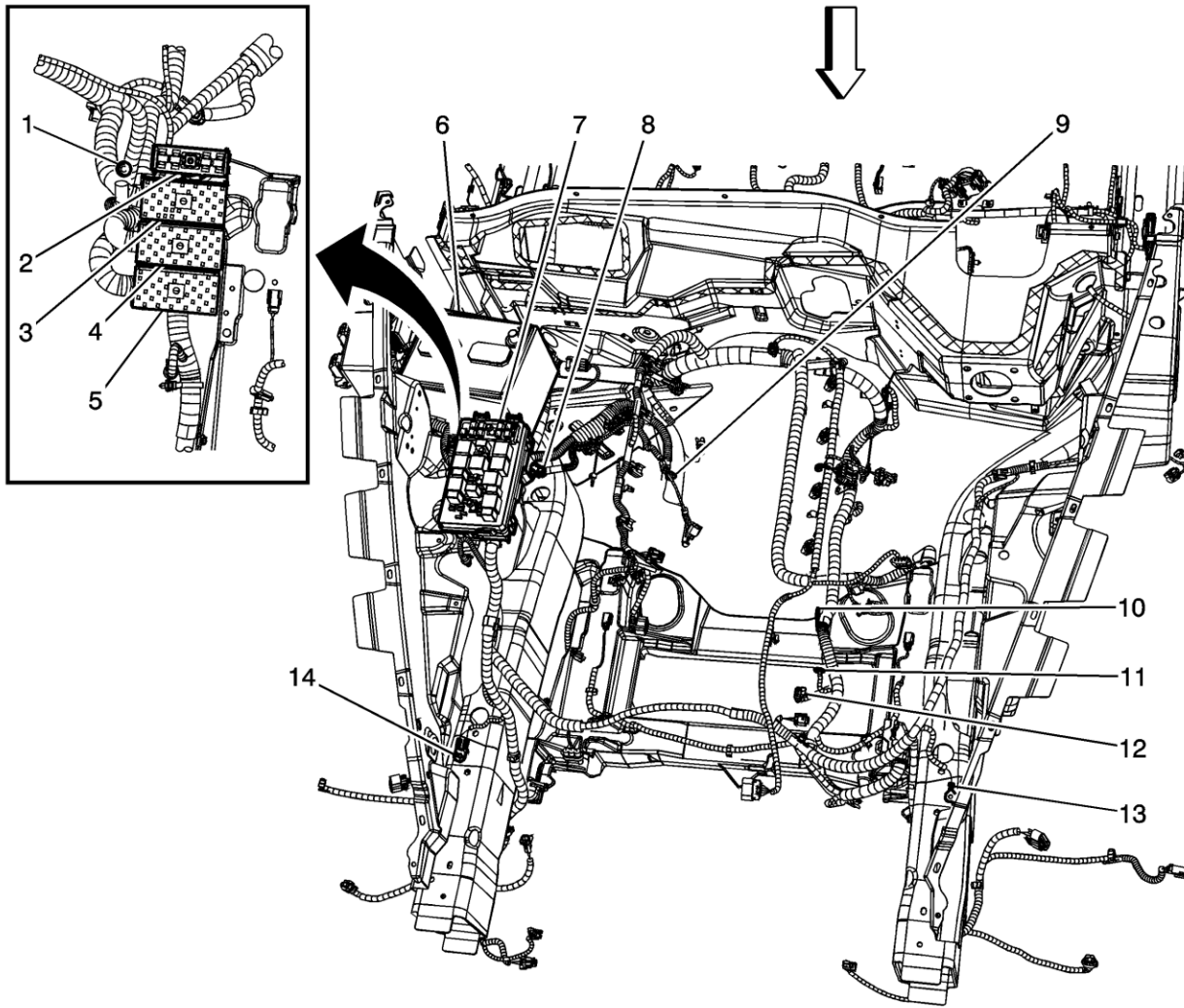


L O C

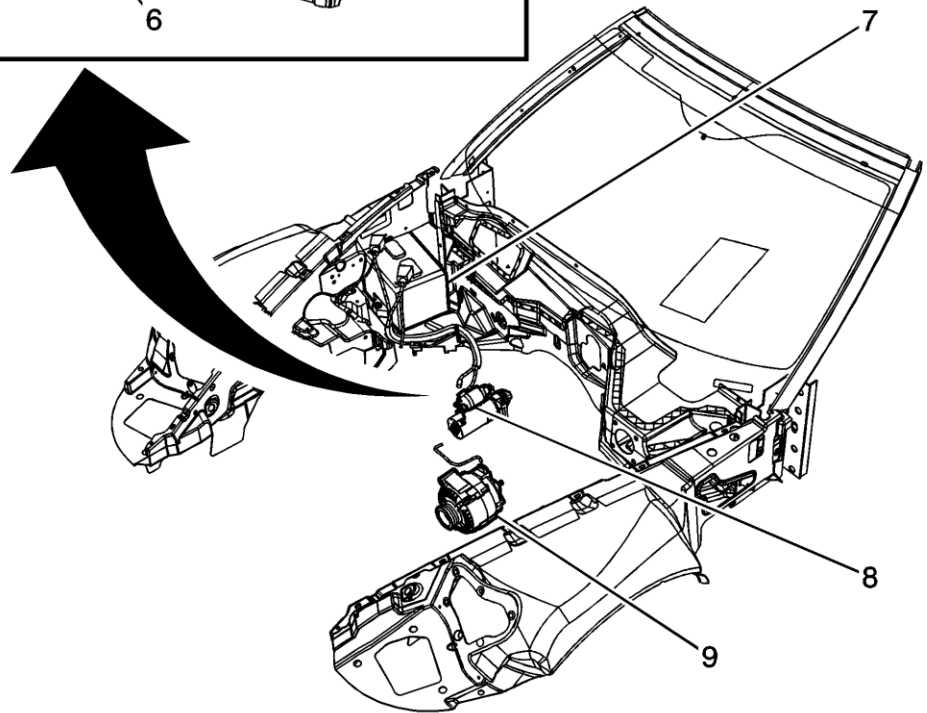
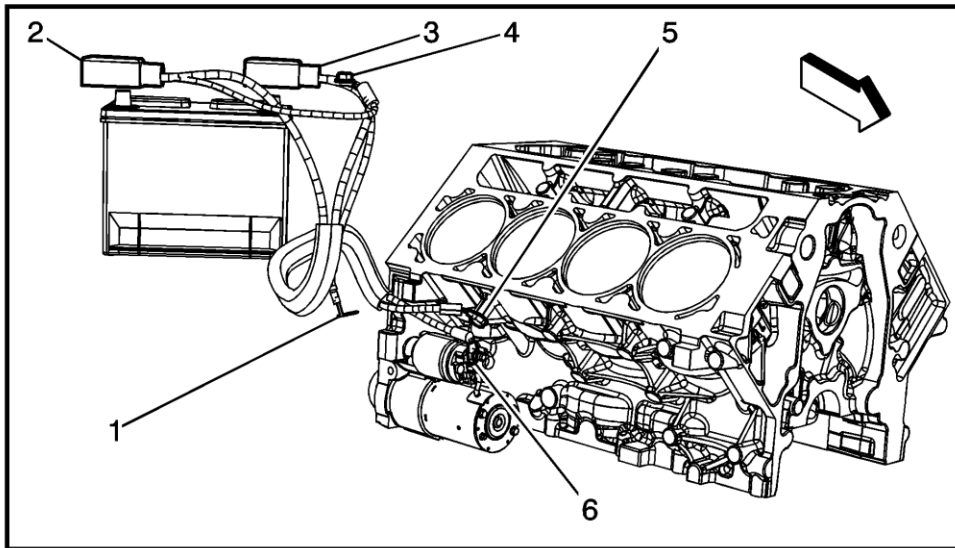


L O C



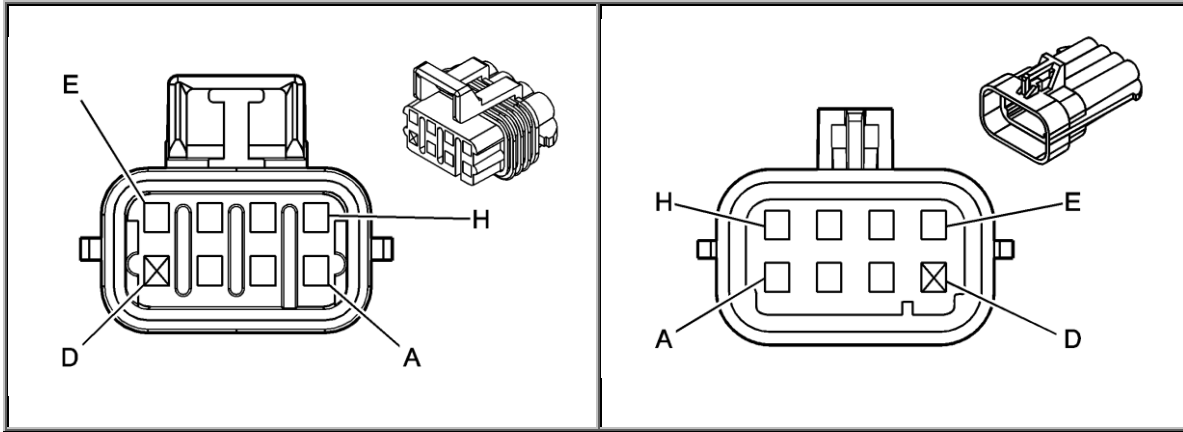


- (1) Battery Positive Voltage
- (2) Fuse Block - Underhood X4
- (3) Fuse Block - Underhood X3
- (4) Fuse Block - Underhood X2
- (5) Fuse Block - Underhood X1
- (6) Battery (LS3)
- (7) Fuse Block - Underhood
- (8) G104
- (9) G106 (Engine Block)
- (10) G107 (Engine Block)
- (11) G105 (Engine Block)
- (12) X103
- (13) G101
- (14) G102



- (1) G104
- (2) Battery Positive Cable
- (3) Battery Negative Cable
- (4) Positive Stud (Fuse Block-Underhood)
- (5) G106
- (6) Starter Solenoid
- (7) Battery
- (8) Starter Solenoid
- (9) Generator

X139 Engine Harness to Ignition Coil (Bank 2) Jumper Harness



Connector Part Information

- OEM: 12047938
- Service: 12102754
- Description: 8-Way F Metri-Pack 150 Series, Sealed (GY)

Connector Part Information

- OEM: 12047933
- Service: 12102490
- Description: 8-Way M Metri-Pack 150 Series, Sealed (GY)

Terminal Part Information

- Terminal/Tray: 12048074/2
- Core/Insulation Crimp: E/1
- Release Tool/Test Probe: 12094429/J-35616-2A (GY)

Terminal Part Information

- Terminal/Tray: 12045773/2
- Core/Insulation Crimp: E/1
- Release Tool/Test Probe: 12094429/J-35616-3 (GY)

<u>X139 Engine Harness to Ignition Coil (Bank 2) Jumper Harness</u>							
Pin	Wire	Circuit	Function	Pin	Wire	Circuit	Function
A	0.8 BK/WH	51	Signal Ground	A	0.8 BK	151	Ground
B	0.5 OG/WH	2122	Ignition 2 Control	B	0.8 OG	2122	Ignition 2 Control
C	0.5 D-GN/WH	2124	Ignition 4 Control	C	0.8 D-GN	2124	Ignition 4 Control
D	--	--	Not Available	D	--	--	Not Available

E	0.5 BN/WH	2130	Low reference	E	0.8 BN	2130	Low reference
F	0.5 L-BU/WH	2126	Ignition 6 Control	F	0.8 L-BU	2126	Ignition 6 Control
G	0.5 PU/WH	2128	Ignition 8 Control	G	0.8 PU	2128	Ignition 8 Control
H	0.8 PK	139	Ignition 1 Voltage	H	0.8 PK	139	Ignition 1 Voltage