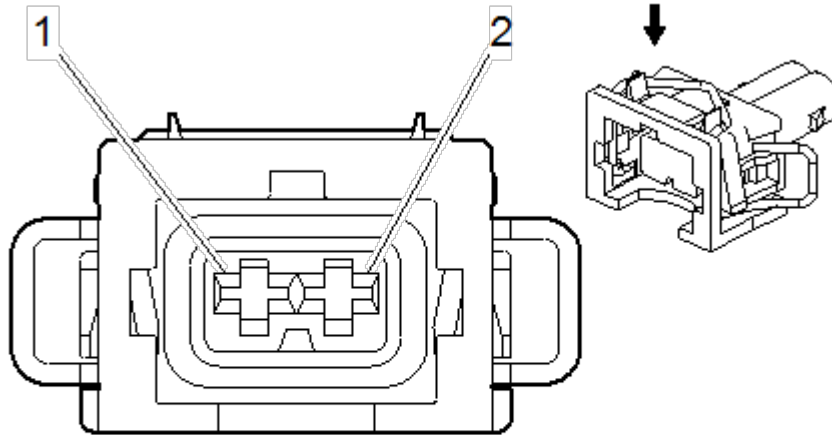


Charge Air Cooler (CAC) Coolant Pump (LS9)



Connector Part Information

- Harness Type: Forward Lamp
- OEM Connector: 12131678
- Service Connector: 89046833
- Description: 2-Way F Mini Timer Series, Sealed (BK)

Terminal Part Information

- Terminated Lead: Service by Connector Assembly– 89046833
- Release Tool: J-38125-36
- Diagnostic Test Probe: J-35616-35 (VT)
- Terminal/Tray: 4-964273-1/15
- Core/Insulation Crimp: C/5

Charge Air Cooler (CAC) Coolant Pump (LS9)

Pin	Wire	Circuit	Function
1	2.0 BK	1250	Ground
2	2.0 TN	2022	Coolant Pump Control

© 2017 General Motors. All rights reserved.

