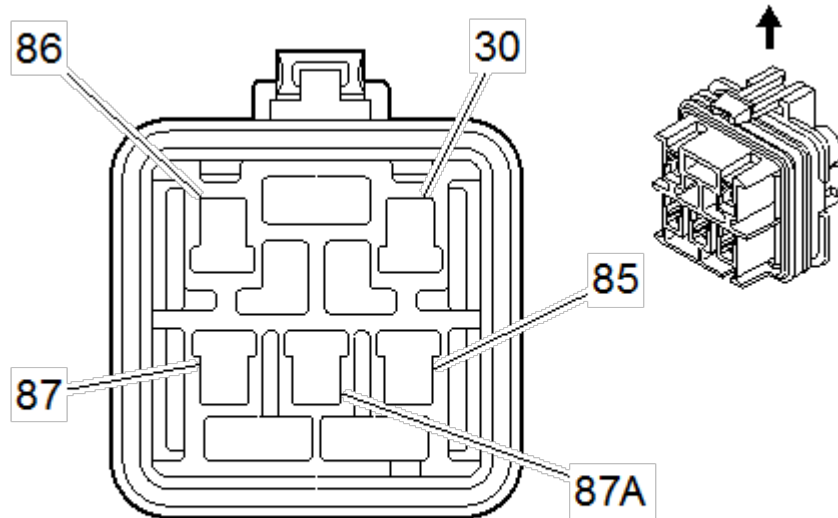


Charge Air Cooler (CAC) Coolant Pump Relay (LS9)



Connector Part Information

- Harness Type: Forward Lamp
- OEM Connector: 12110539
- Service Connector: 13580863
- Description: 5-Way F Metri-Pack 280 Series, Flexlock (BK)

Terminal Part Information

- Pins: 30, 85, 87
- Terminated Lead: Service by Connector Assembly – 13580863
- Release Tool: J-38125-553
- Diagnostic Test Probe: J-35616-4A (PU)
- Terminal/Tray: 12110845/4
- Core/Insulation Crimp: A/5
- Pin: 86
- Terminated Lead: Service by Connector Assembly – 13580863
- Release Tool: J-38125-553
- Diagnostic Test Probe: J-35616-4A (PU)
- Terminal/Tray: 12110847/4
- Core/Insulation Crimp: E/5

Charge Air Cooler (CAC) Coolant Pump Relay (LS9)

© 2017 General Motors. All rights reserved.

Pin	Wire	Circuit	Function
30	2.0 RD/BK	542	Battery Positive Voltage
85	2.0 RD/BK	542	Battery Positive Voltage
86	0.35 PK	2014	Coolant Pump Relay Control
87	2.0 TN	2022	Coolant Pump Control
87A	—	—	Not Used