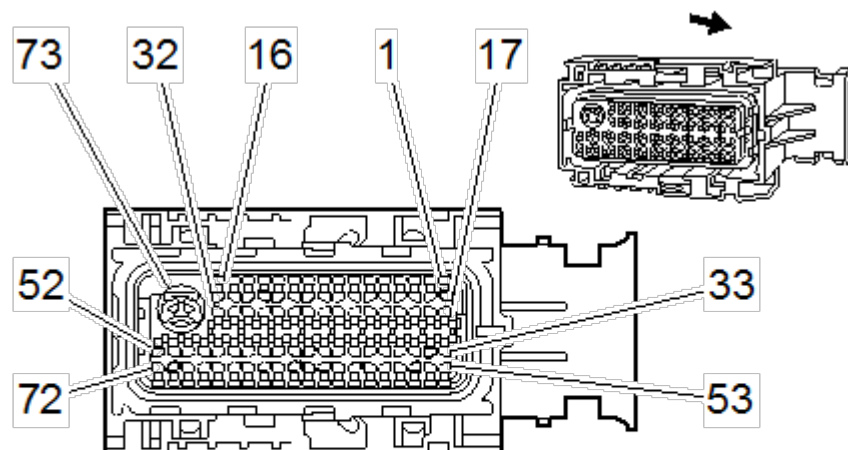


Engine Control Module (ECM) X3 (LS9)



Connector Part Information

- Harness Type: Engine
- OEM Connector: 34566-1683
- Service Connector: 88988372
- Description: 73-Way F MX123 34566 Series (BK with GY Terminal Position Assurance Lock)

Terminal Part Information

- Pins: 3-6, 8, 13, 15, 22, 23, 38, 39, 48, 50, 58, 59
- Terminated Lead: 13575812
- Release Tool: J-38125-213
- Diagnostic Test Probe: J-35616-64B (L-BU)
- Terminal/Tray: 33467-0005/23
- Core/Insulation Crimp: J/J
- Pins: 7, 14, 16, 21, 27, 29, 33, 35-37, 43, 49, 53, 56, 57, 63, 66, 67
- Terminated Lead: 13575811
- Release Tool: J-38125-213
- Diagnostic Test Probe: J-35616-64B (L-BU)
- Terminal/Tray: 33467-0003/23
- Core/Insulation Crimp: H/H
- Pin: 73
- Terminated Lead: 13579770

© 2017 General Motors. All rights reserved.

- Release Tool: J-38125-11A
- Diagnostic Test Probe: J-35616-35 (VT)
- Terminal/Tray: 7116-4152-02/9
- Core/Insulation Crimp: A/5

Engine Control Module (ECM) X3 (LS9)

Pin	Wire	Circuit	Function
1-2	—	—	Not Used
3	0.5 TN	1667	HO2S Low Signal – Bank 2 Sensor 1
4	0.5 PU	1666	HO2S High Signal – Bank 2 Sensor 1
5	0.5 PU	1670	HO2S High Signal – Bank 2 Sensor 2
6	0.5 TN	1671	HO2S Heater Low Control Bank 2 Sensor 2
7	0.35 OG	225	Generator Turn On Signal
8	0.5 L-GN	1652	Reverse Lockout Solenoid Control
9-12	—	—	Not Used
13	0.5 GY	587	Skip/Shift Solenoid Control
14	0.35 GY	1724	Boost Control Solenoid Control
15	0.5 L-GN	3212	HO2S Heater Low Control – Bank 2 Sensor 1
16	0.35 PK	2014	Coolant Pump Relay Control
17-20	—	—	Not Used
21	0.35 BK/WH	2751	Low Reference
22	0.5 OG/BK	6014	Low Reference
23	0.5 OG/BK	469	Low Reference
24-26	—	—	Not Used
27	0.35 BK/WH	6004	Low Reference

Pin	Wire	Circuit	Function
28	—	—	Not Used
29	0.35 GY	23	Generator Field Duty Cycle Signal
30–32	—	—	Not Used
33	0.35 TN	2501	High Speed GMLAN Serial Data Bus (-)
34	—	—	Not Used
35	0.35 TN	2761	Low Reference
36	0.35 YE/BK	6120	Low Reference
37	0.35 GY	2700	5-Volt Reference
38	0.5 WH/BK	2932	5-Volt Reference
39	0.5 GY	2704	5-Volt Reference
40–42	—	—	Not Used
43	0.35 D-GN	6293	5-Volt Reference
44–47	—	—	Not Used
48	0.5 D-GN/WH	428	VAP Canister Purge Solenoid Valve Control
49	0.35 D-GN	335	Cooling Fan Speed Control
50	0.5 OG/WH	3223	HO2S Heater Low Control – Bank 2 Sensor 2
51–52	—	—	Not Used
53	0.35 TN/BK	2500	High Speed GMLAN Serial Data Bus (+)
54	—	—	Not Used
55	0.35 YE	410	Engine Coolant Temperature Sensor Signal
56	0.35 L-BU	6118	

Pin	Wire	Circuit	Function
			Manifold Air Temperature Sensor Signal
57	0.35 OG/BK	380	A/C Refrigerant Pressure Sensor Signal
58	0.5 GY/BK	433	BARO Sensor Signal
59	0.5 L-GN	432	Turbocharger Boost Sensor Signal
60-62	—	—	Not Used
63	0.35 D-BU	6306	Clutch Pedal Position Sensor Signal
64-65	—	—	Not Used
66	0.35 YE	400	Vehicle Speed Sensor (VSS) High Signal
67	0.35 OU	401	Vehicle Speed Signal (VSS) Low Signal
68-72	—	—	Not Used
73	3.0 BK/WH	451	Ground