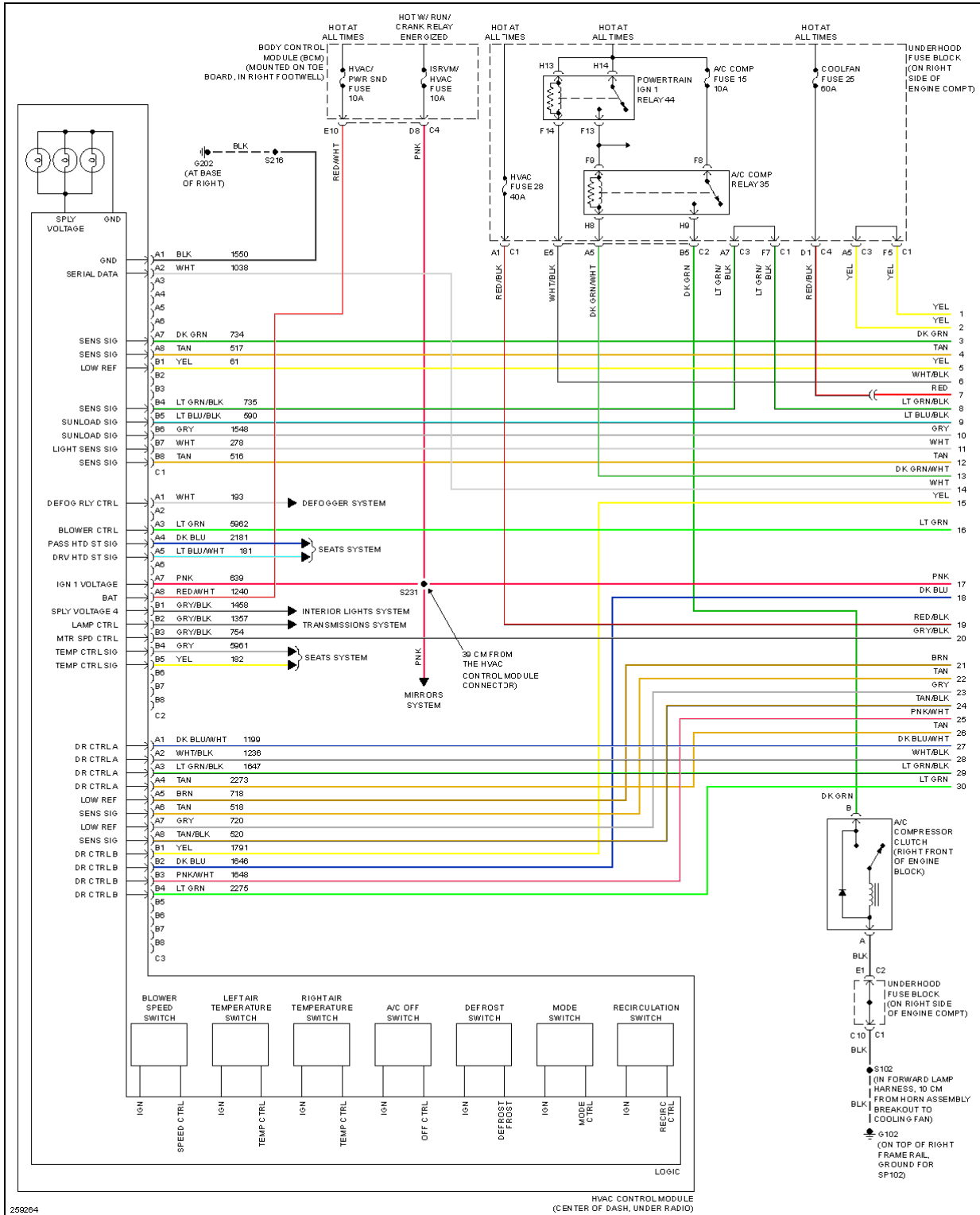


AIR CONDITIONING

2007 Chevrolet Corvette

2007 SYSTEM WIRING DIAGRAMS Chevrolet - Corvette



2007 Chevrolet Corvette

2007 SYSTEM WIRING DIAGRAMS Chevrolet - Corvette

Fig. 1: Automatic A/C Circuit (1 of 2)

2007 Chevrolet Corvette

2007 SYSTEM WIRING DIAGRAMS Chevrolet - Corvette

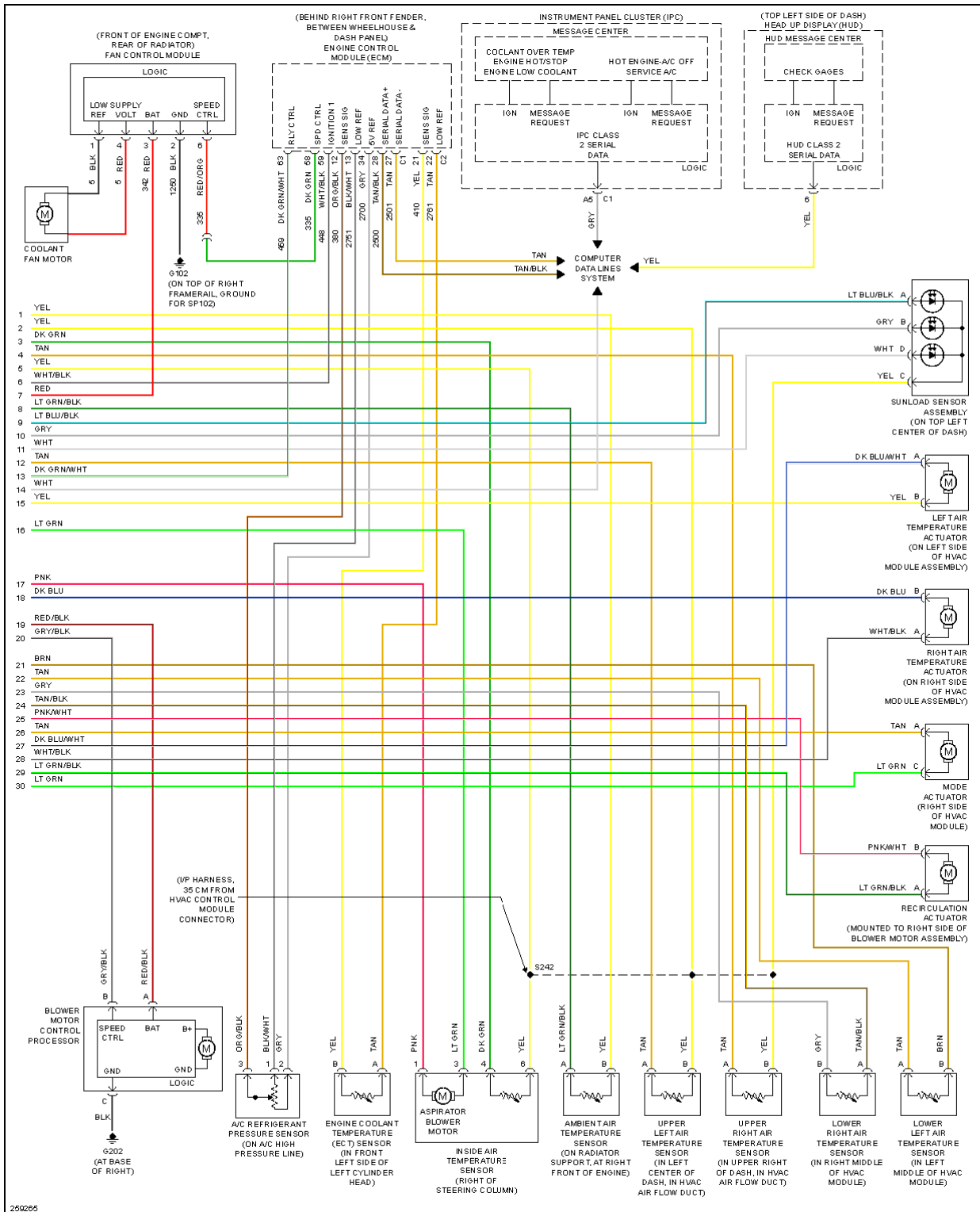


Fig. 2: Automatic A/C Circuit (2 of 2)

2007 Chevrolet Corvette

2007 SYSTEM WIRING DIAGRAMS Chevrolet - Corvette

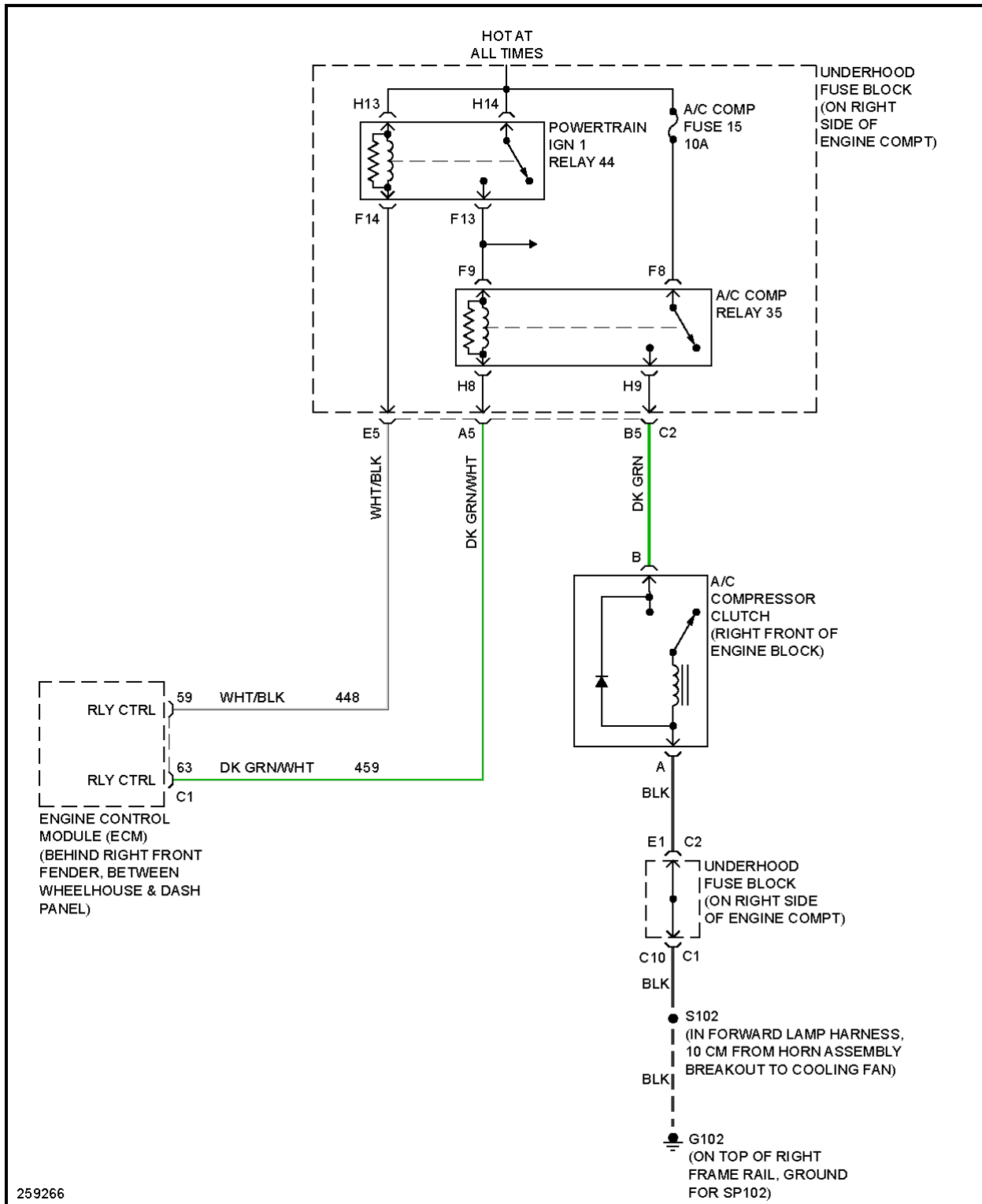


Fig. 3: Compressor Circuit

ANTI-LOCK BRAKES

2007 Chevrolet Corvette

2007 SYSTEM WIRING DIAGRAMS Chevrolet - Corvette

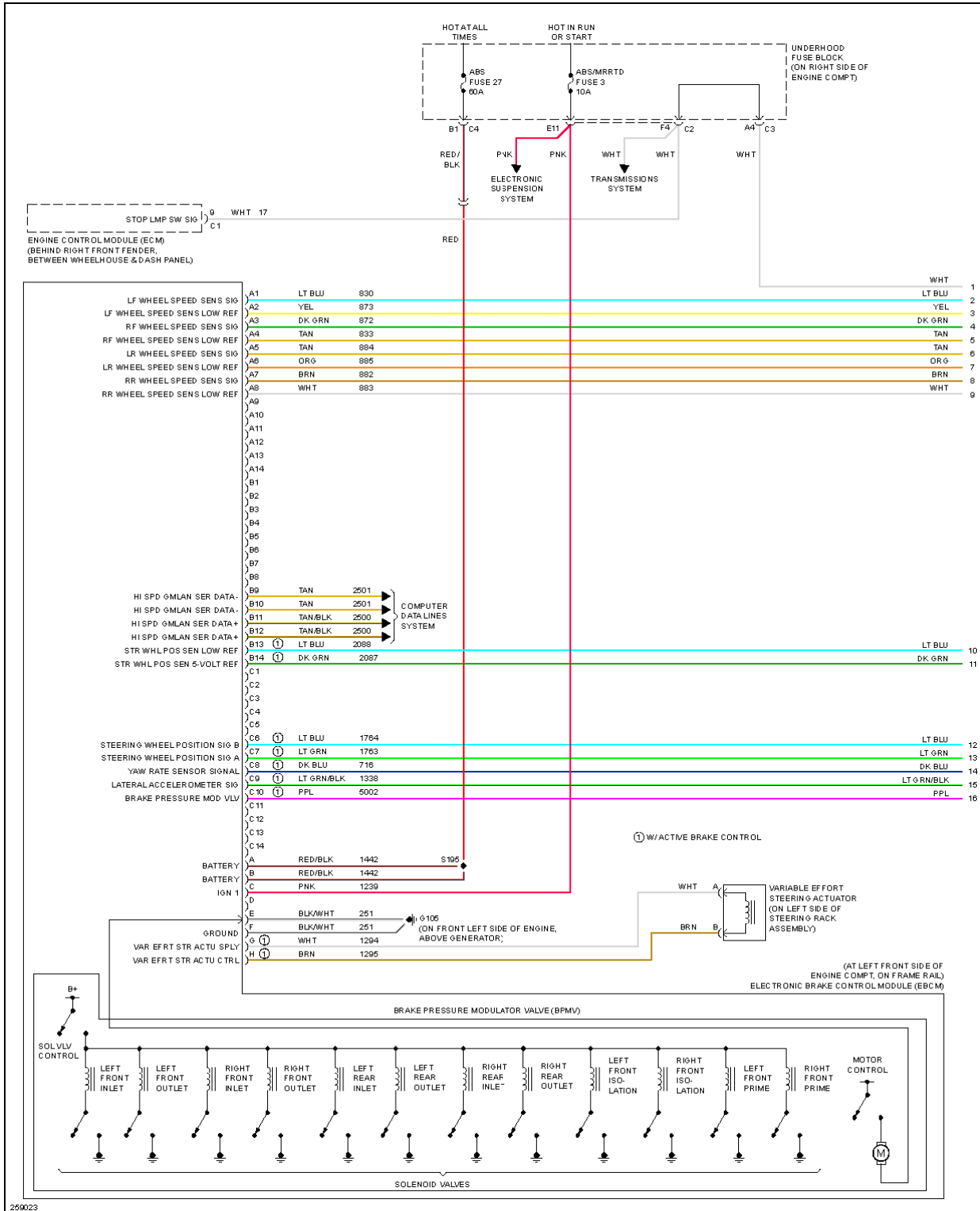


Fig. 4: Anti-lock Brakes Circuit (1 of 2)

2007 Chevrolet Corvette

2007 SYSTEM WIRING DIAGRAMS Chevrolet - Corvette

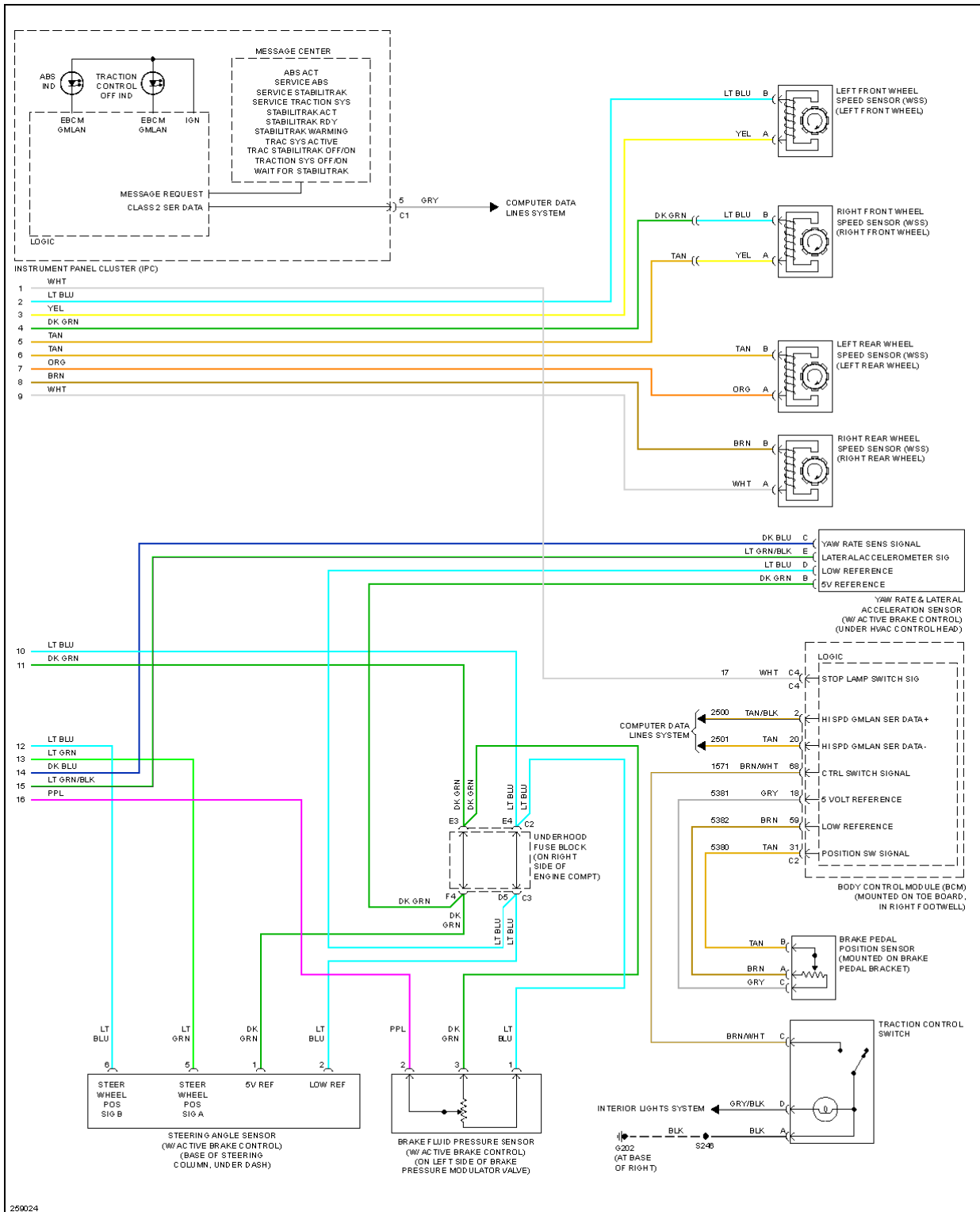


Fig. 5: Anti-lock Brakes Circuit (2 of 2)

ANTI-THEFT

2007 Chevrolet Corvette

2007 SYSTEM WIRING DIAGRAMS Chevrolet - Corvette

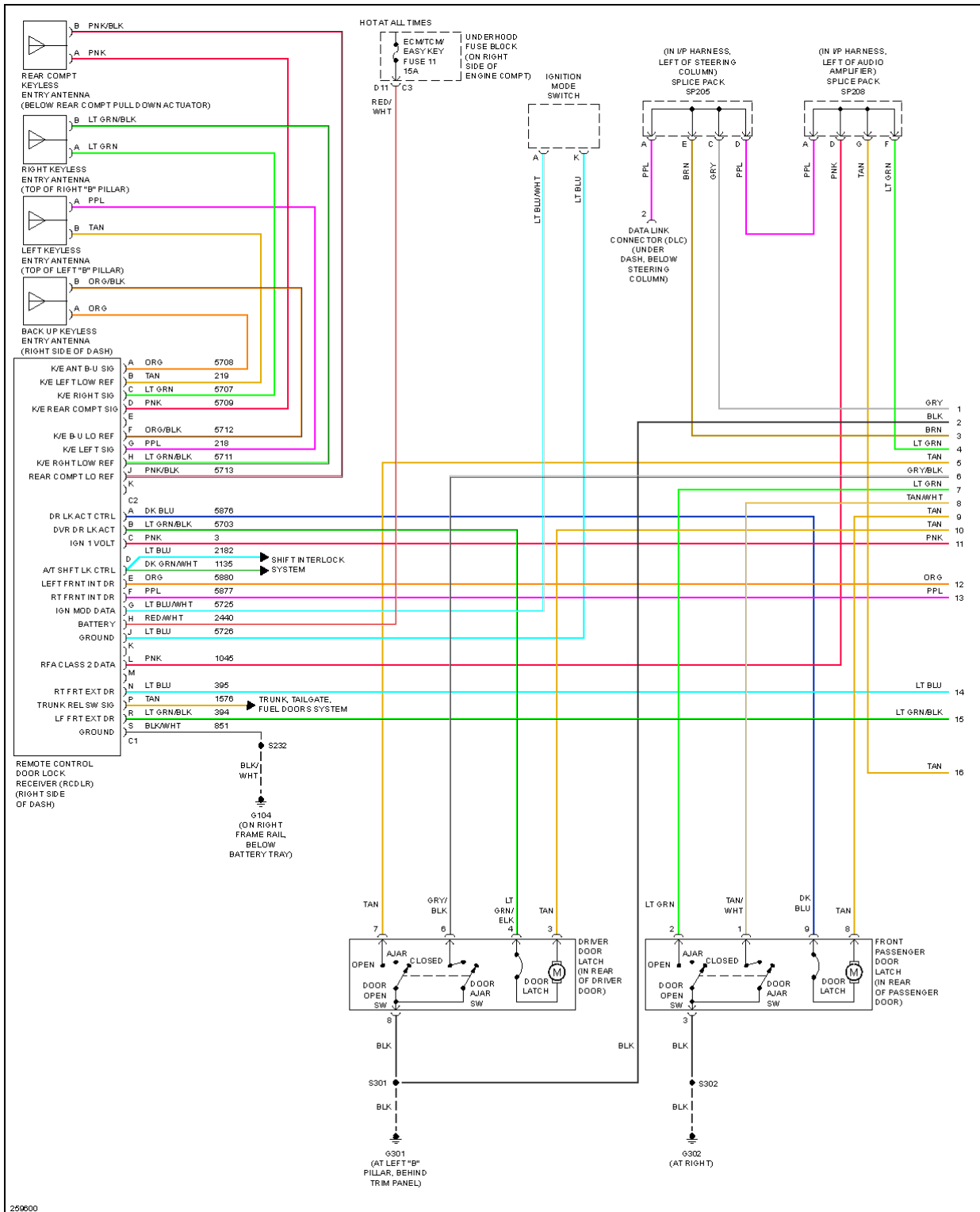


Fig. 6: Forced Entry Circuit (1 of 2)

2007 Chevrolet Corvette

2007 SYSTEM WIRING DIAGRAMS Chevrolet - Corvette

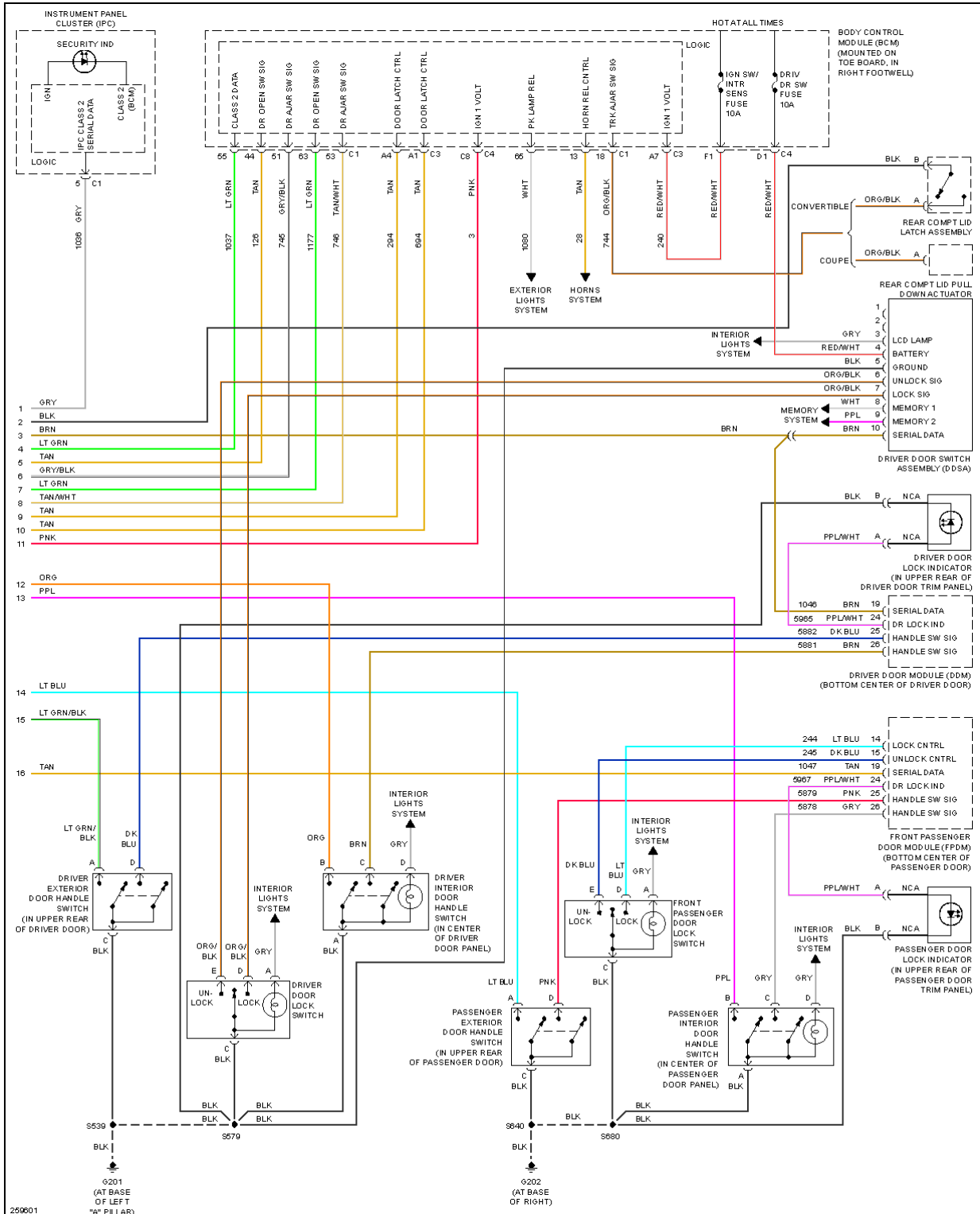


Fig. 7: Forced Entry Circuit (2 of 2)

2007 Chevrolet Corvette

2007 SYSTEM WIRING DIAGRAMS Chevrolet - Corvette

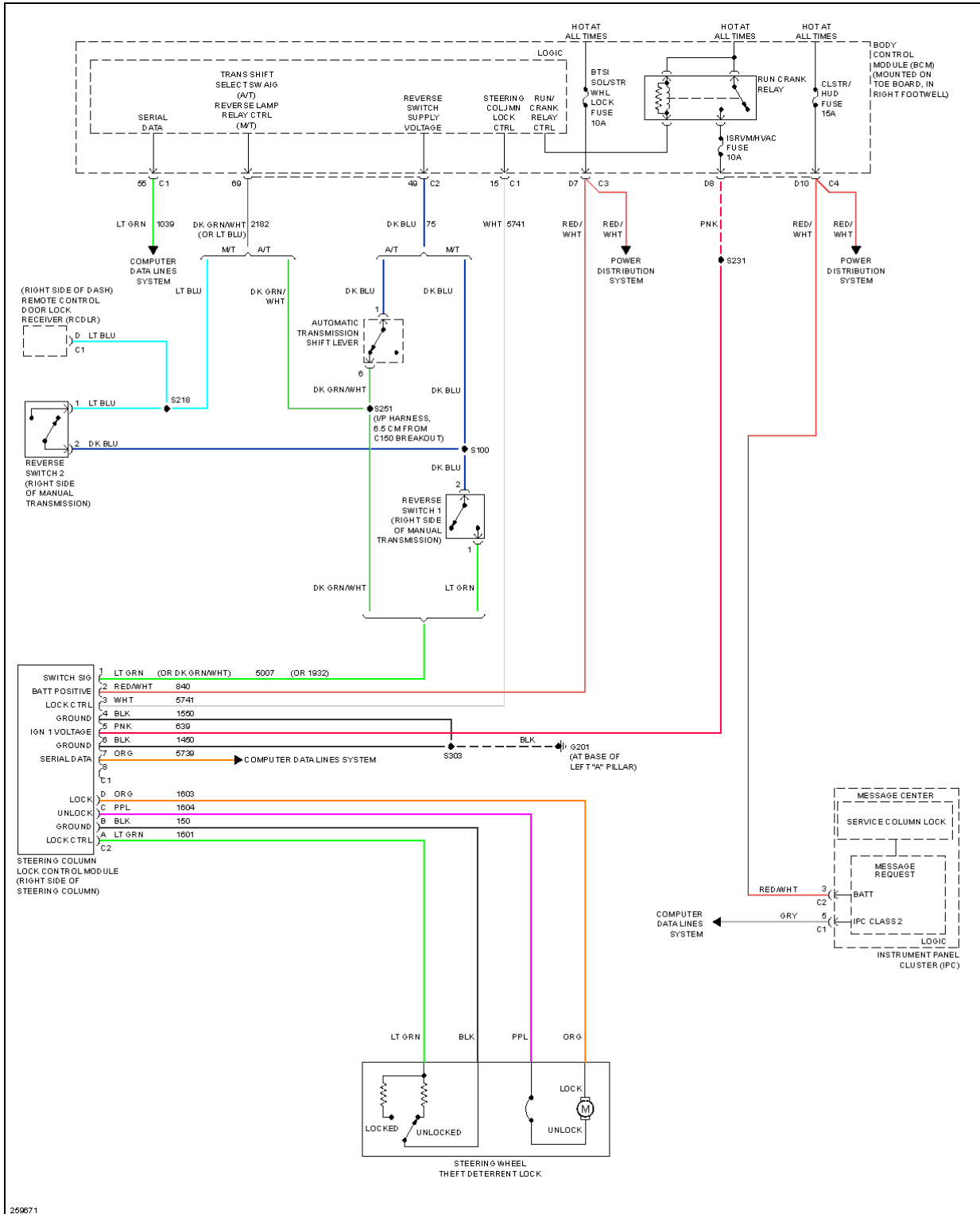
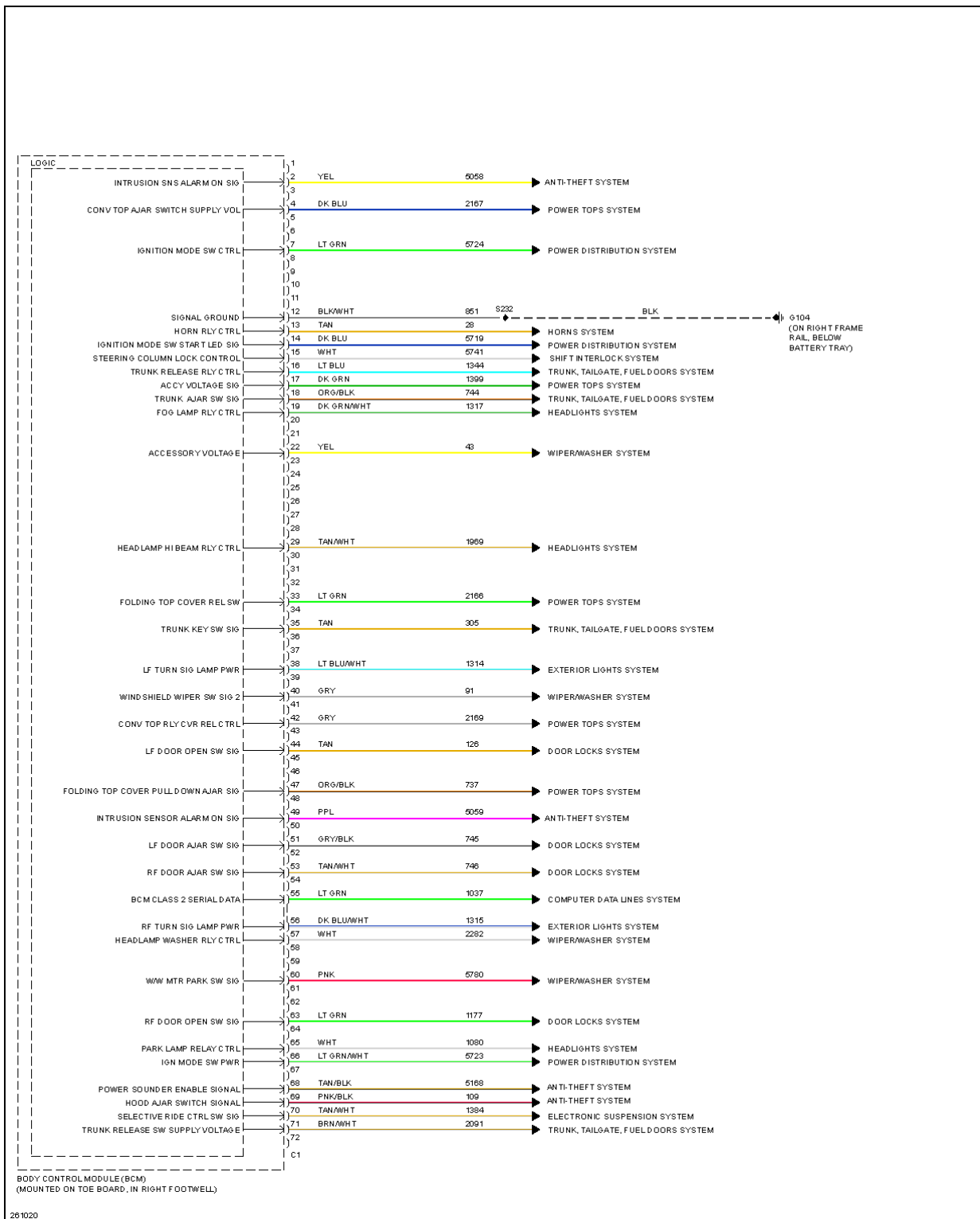


Fig. 8: Steering Lock Circuit

BODY CONTROL MODULES

2007 Chevrolet Corvette

2007 SYSTEM WIRING DIAGRAMS Chevrolet - Corvette



2007 Chevrolet Corvette

2007 SYSTEM WIRING DIAGRAMS Chevrolet - Corvette

Fig. 9: Body Control Modules Circuit (1 of 4)

2007 Chevrolet Corvette

2007 SYSTEM WIRING DIAGRAMS Chevrolet - Corvette

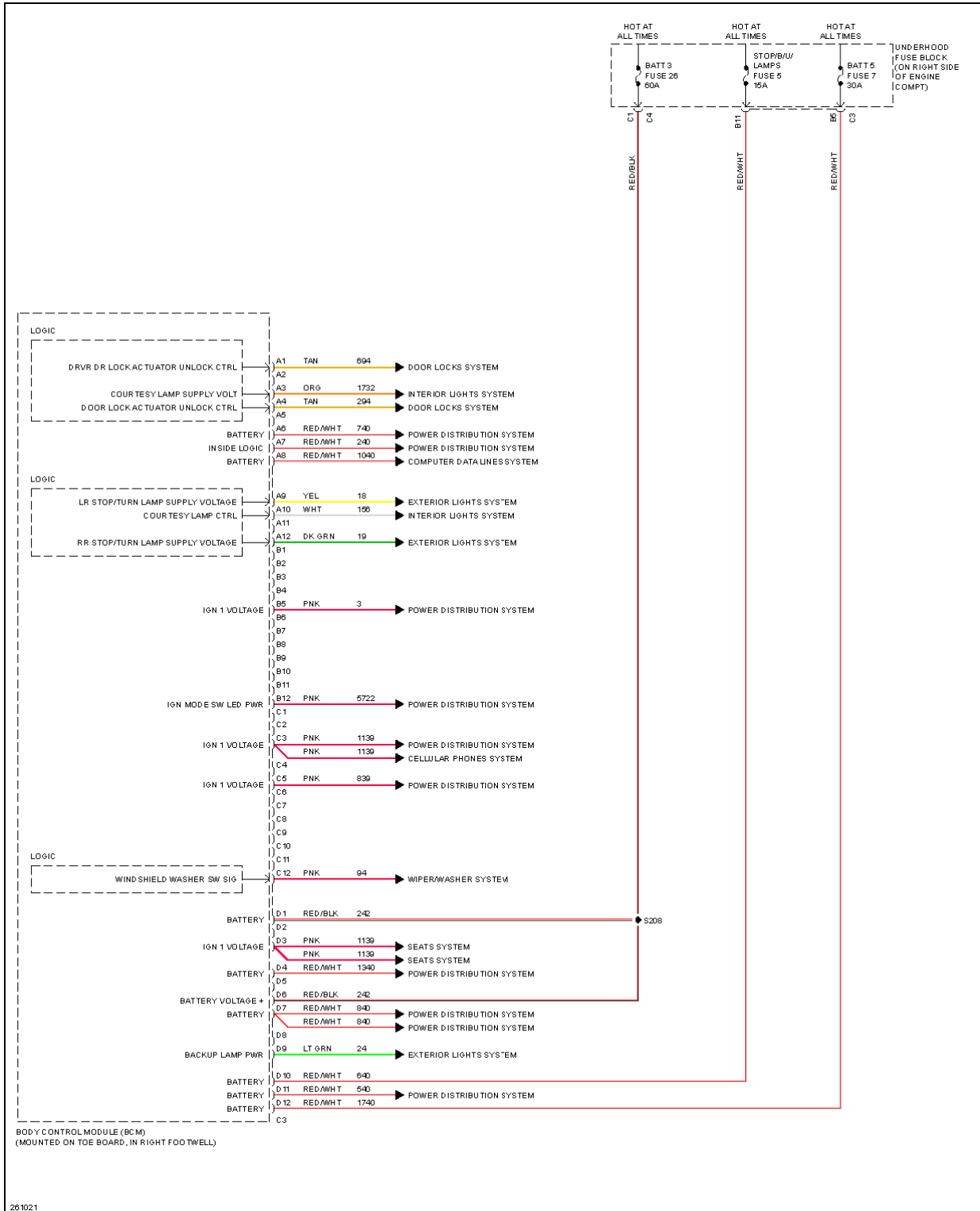


Fig. 10: Body Control Modules Circuit (2 of 4)

2007 Chevrolet Corvette

2007 SYSTEM WIRING DIAGRAMS Chevrolet - Corvette

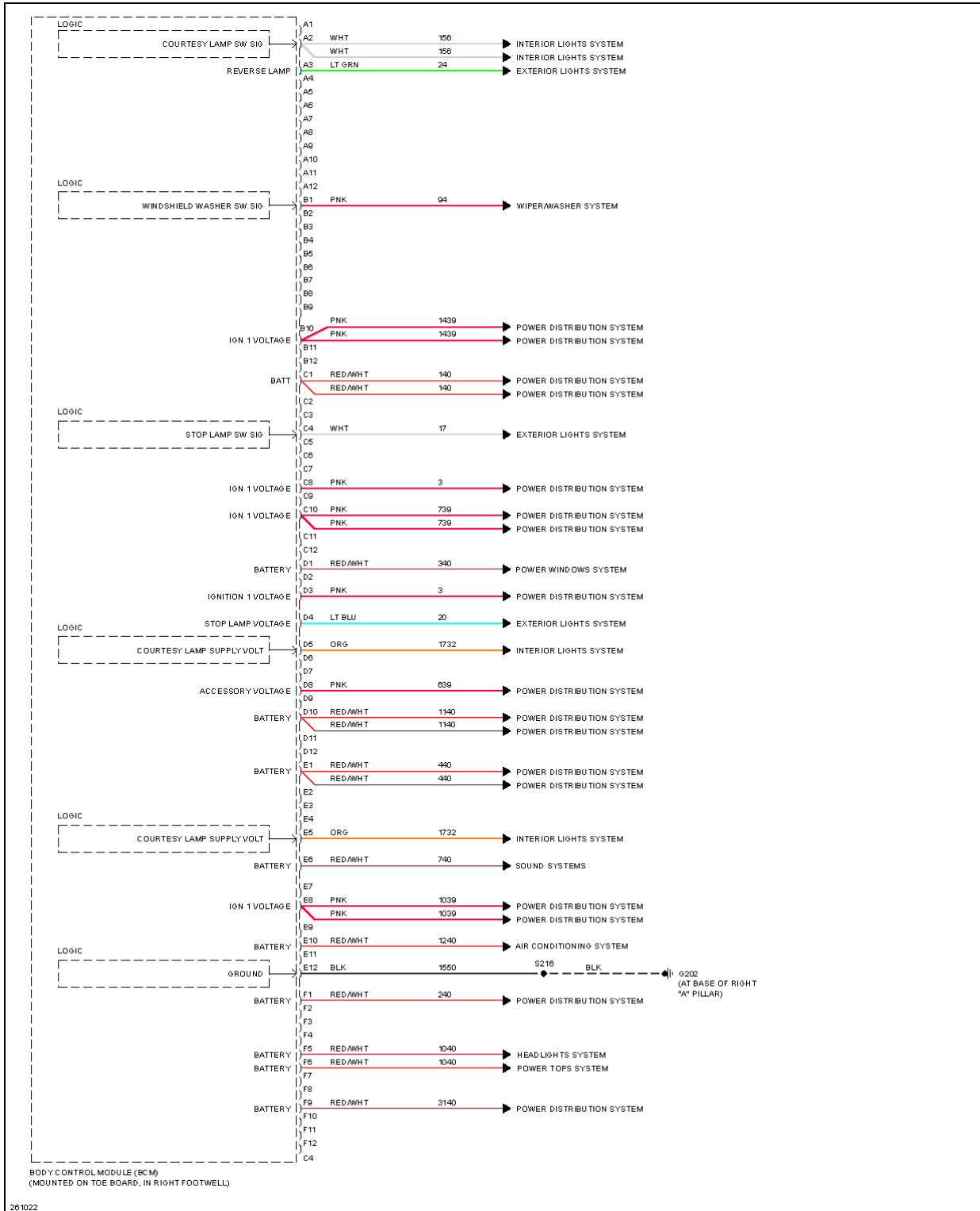


Fig. 11: Body Control Modules Circuit (3 of 4)

2007 Chevrolet Corvette

2007 SYSTEM WIRING DIAGRAMS Chevrolet - Corvette

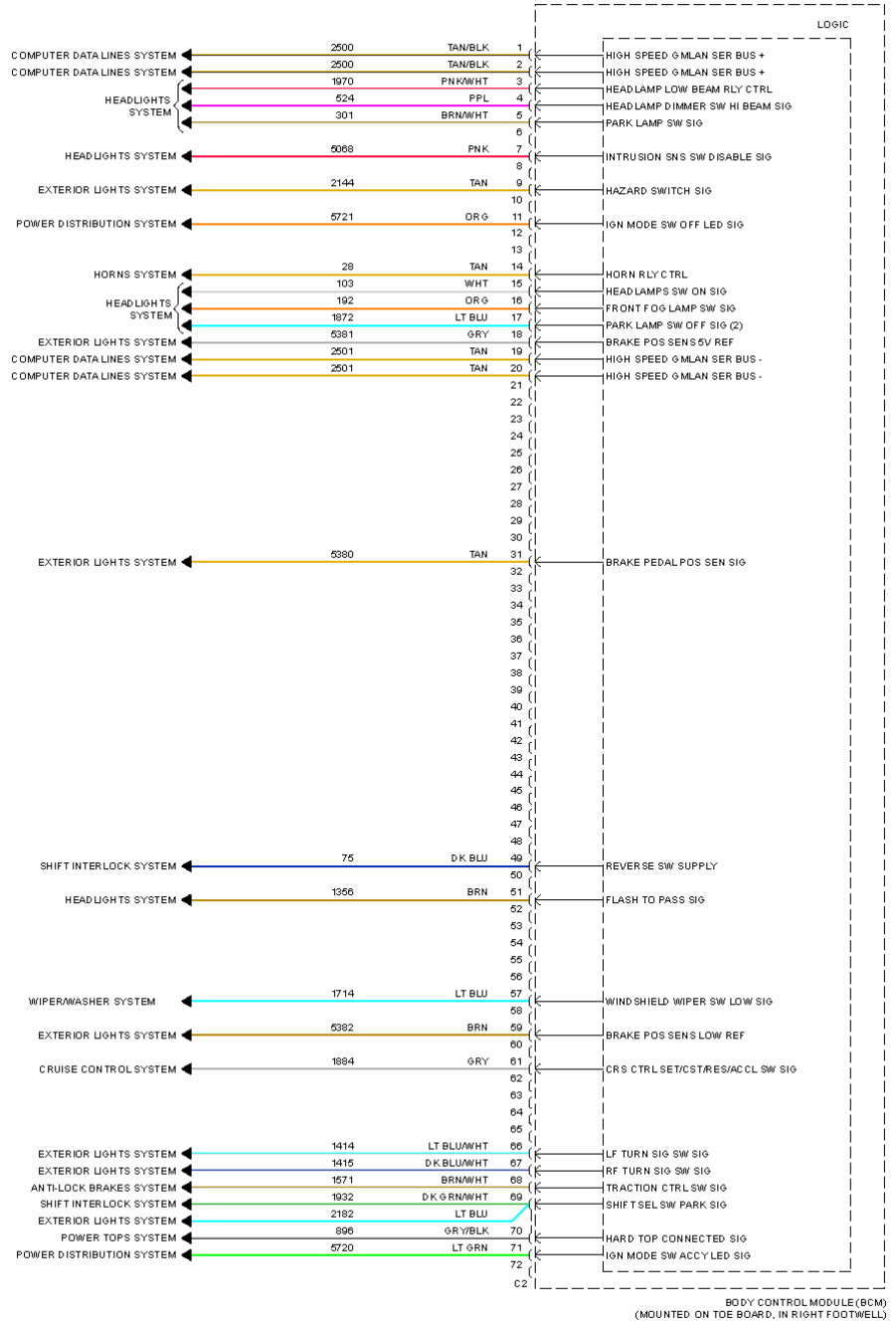


Fig. 12: Body Control Modules Circuit (4 of 4)

COMPUTER DATA LINES

2007 Chevrolet Corvette

2007 SYSTEM WIRING DIAGRAMS Chevrolet - Corvette

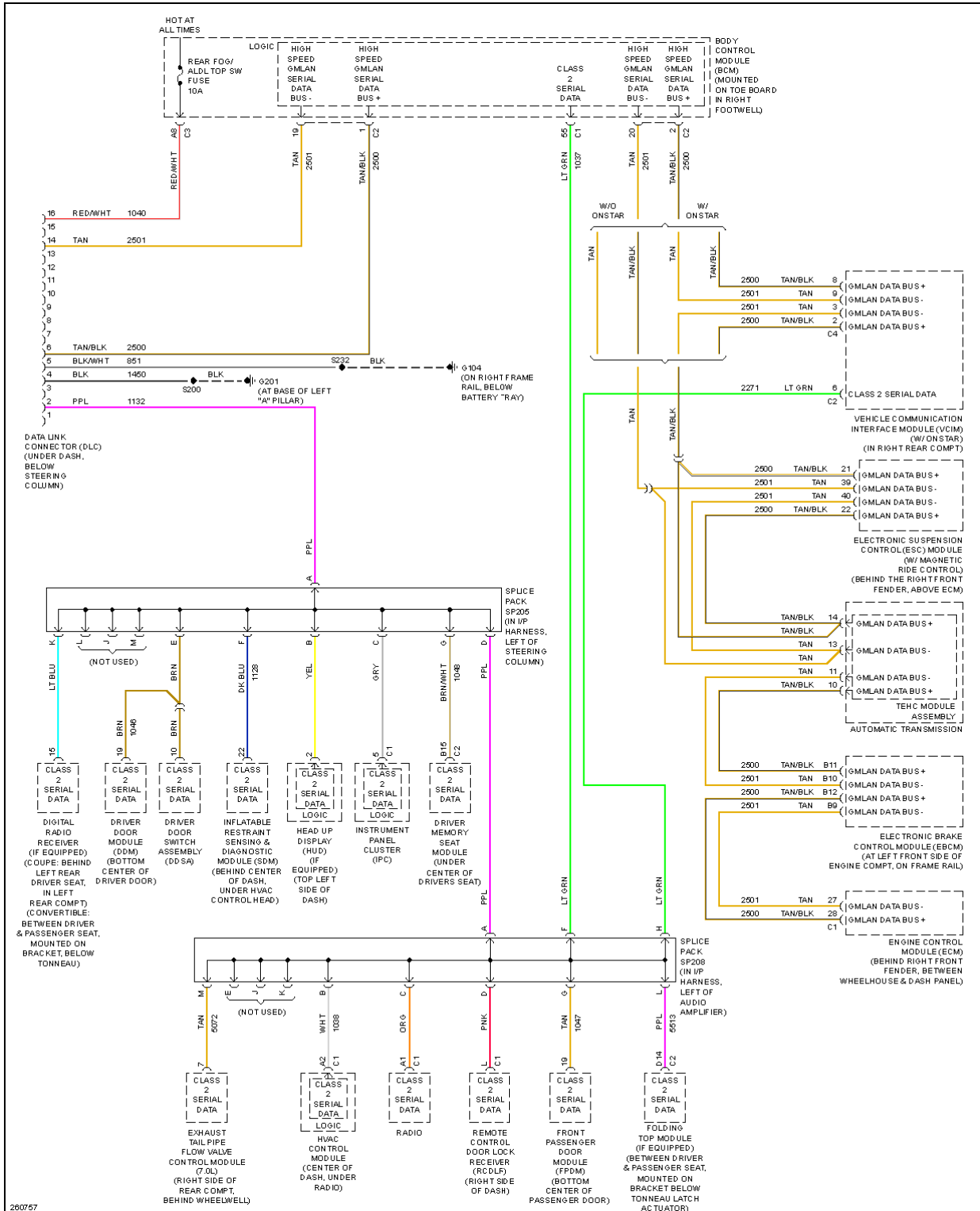


Fig. 13: Computer Data Lines Circuit, A/T

2007 Chevrolet Corvette

2007 SYSTEM WIRING DIAGRAMS Chevrolet - Corvette

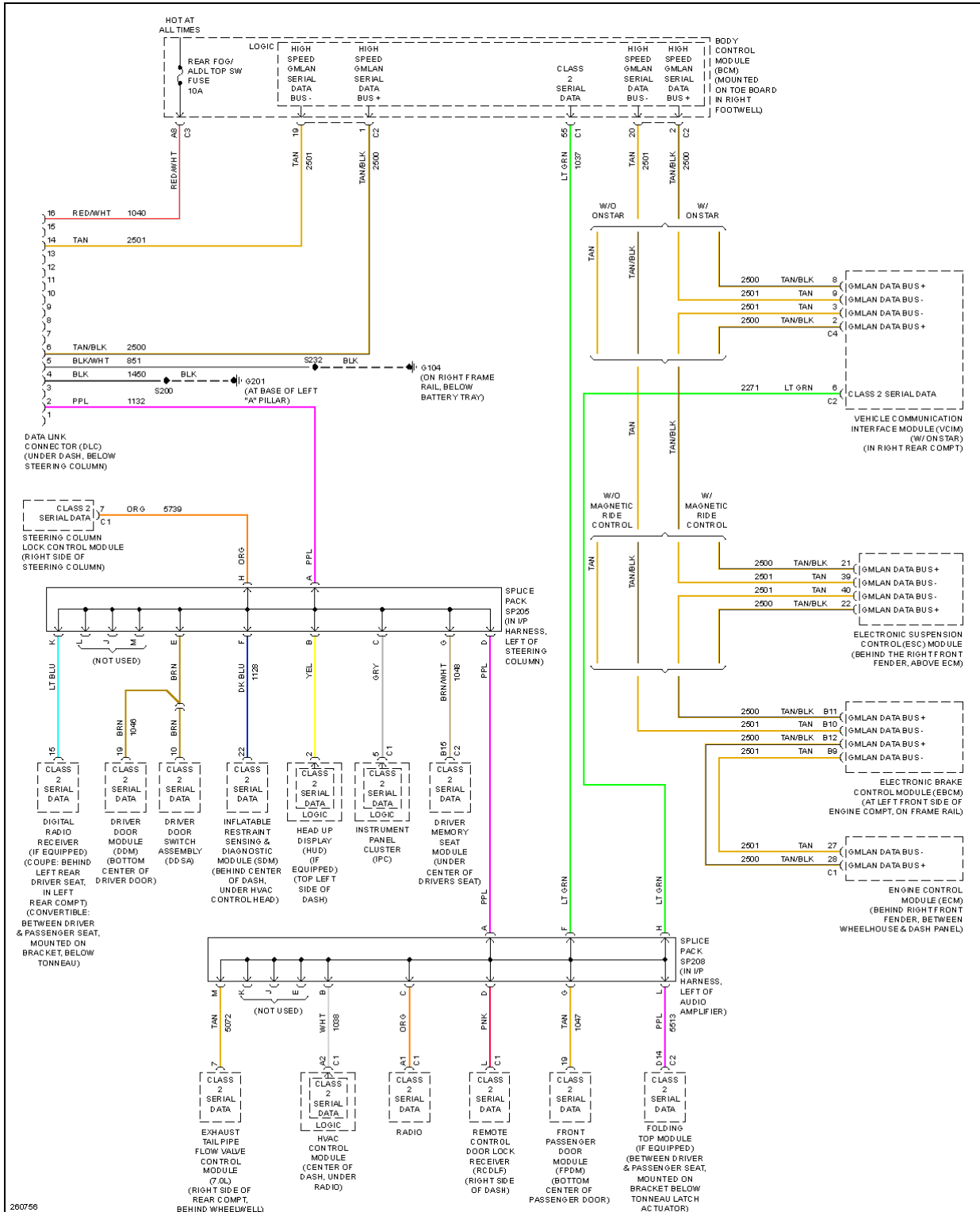


Fig. 14: Computer Data Lines Circuit, M/T

COOLING FAN

2007 Chevrolet Corvette

2007 SYSTEM WIRING DIAGRAMS Chevrolet - Corvette

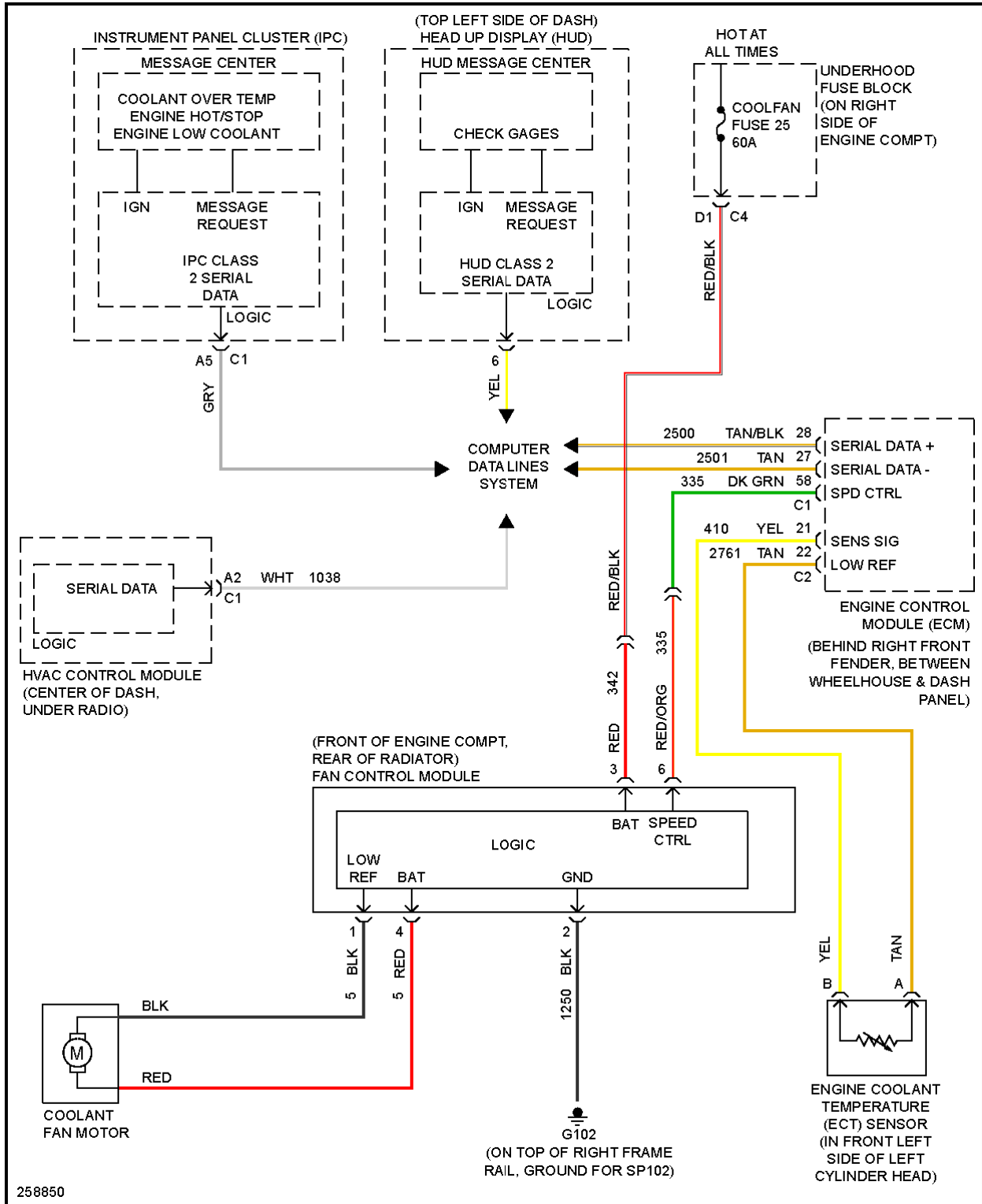


Fig. 15: Cooling Fan Circuit

CRUISE CONTROL

2007 Chevrolet Corvette

2007 SYSTEM WIRING DIAGRAMS Chevrolet - Corvette

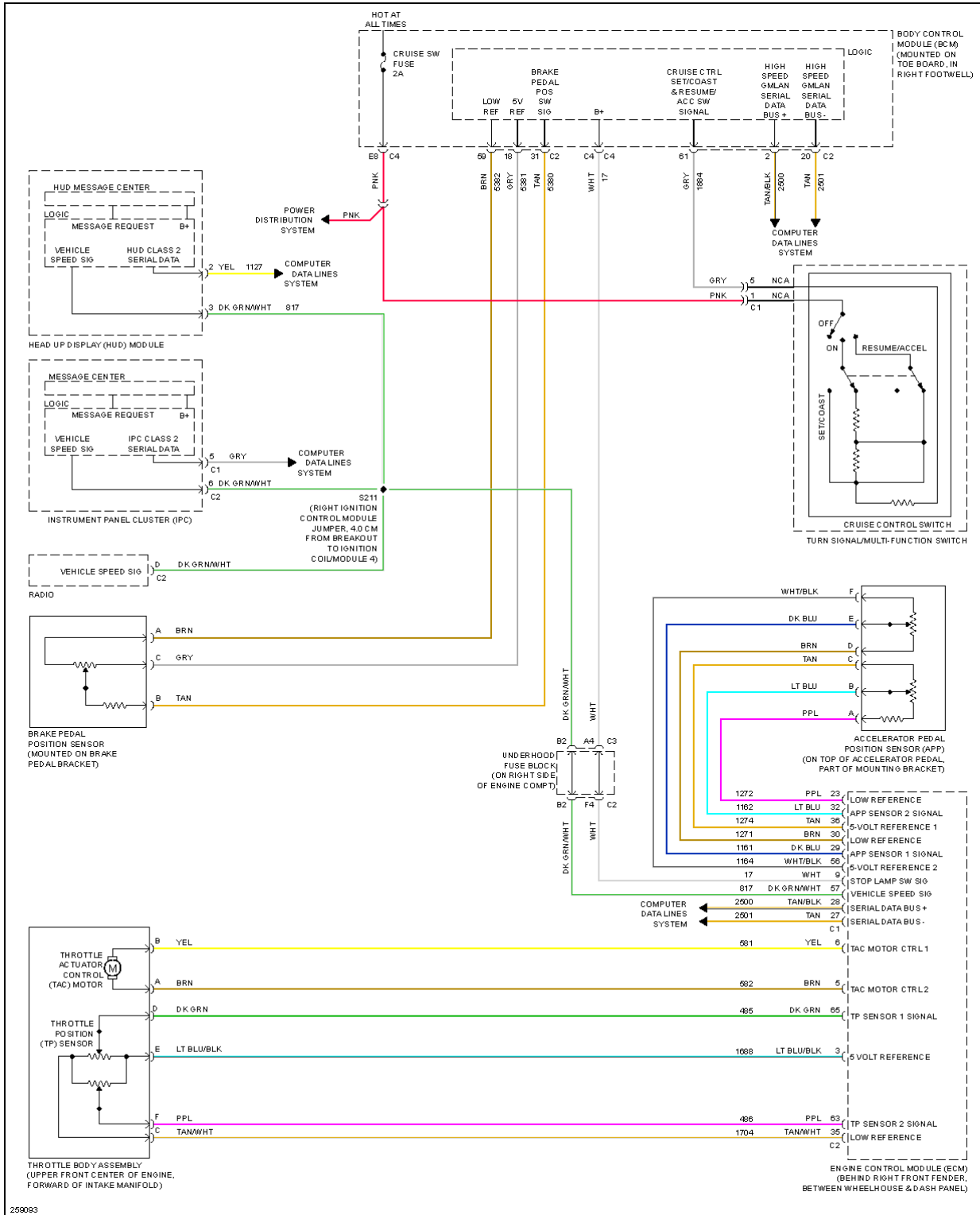


Fig. 16: Cruise Control Circuit, A/T

2007 Chevrolet Corvette

2007 SYSTEM WIRING DIAGRAMS Chevrolet - Corvette

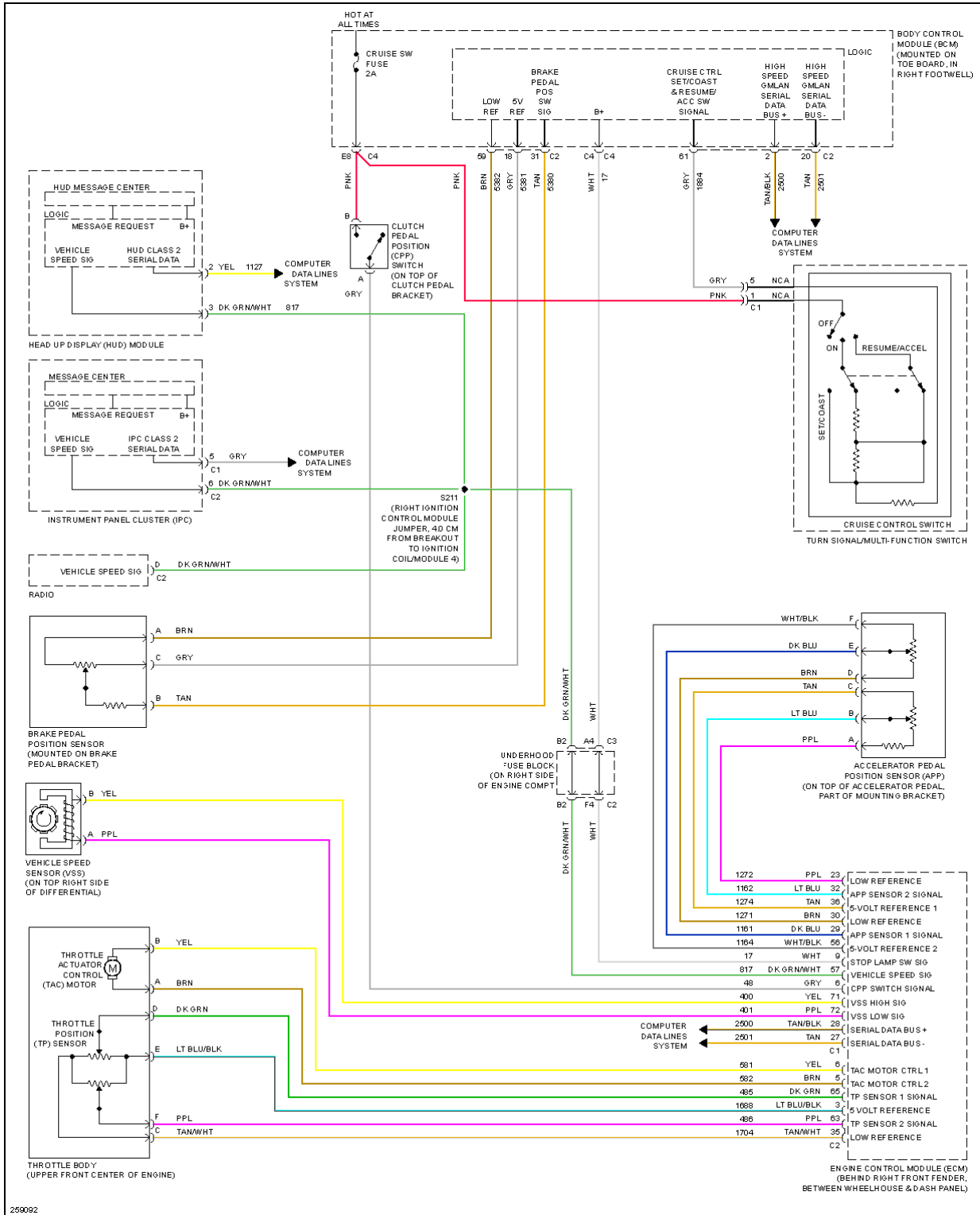


Fig. 17: Cruise Control Circuit, M/T

DEFOGGERS

2007 Chevrolet Corvette

2007 SYSTEM WIRING DIAGRAMS Chevrolet - Corvette

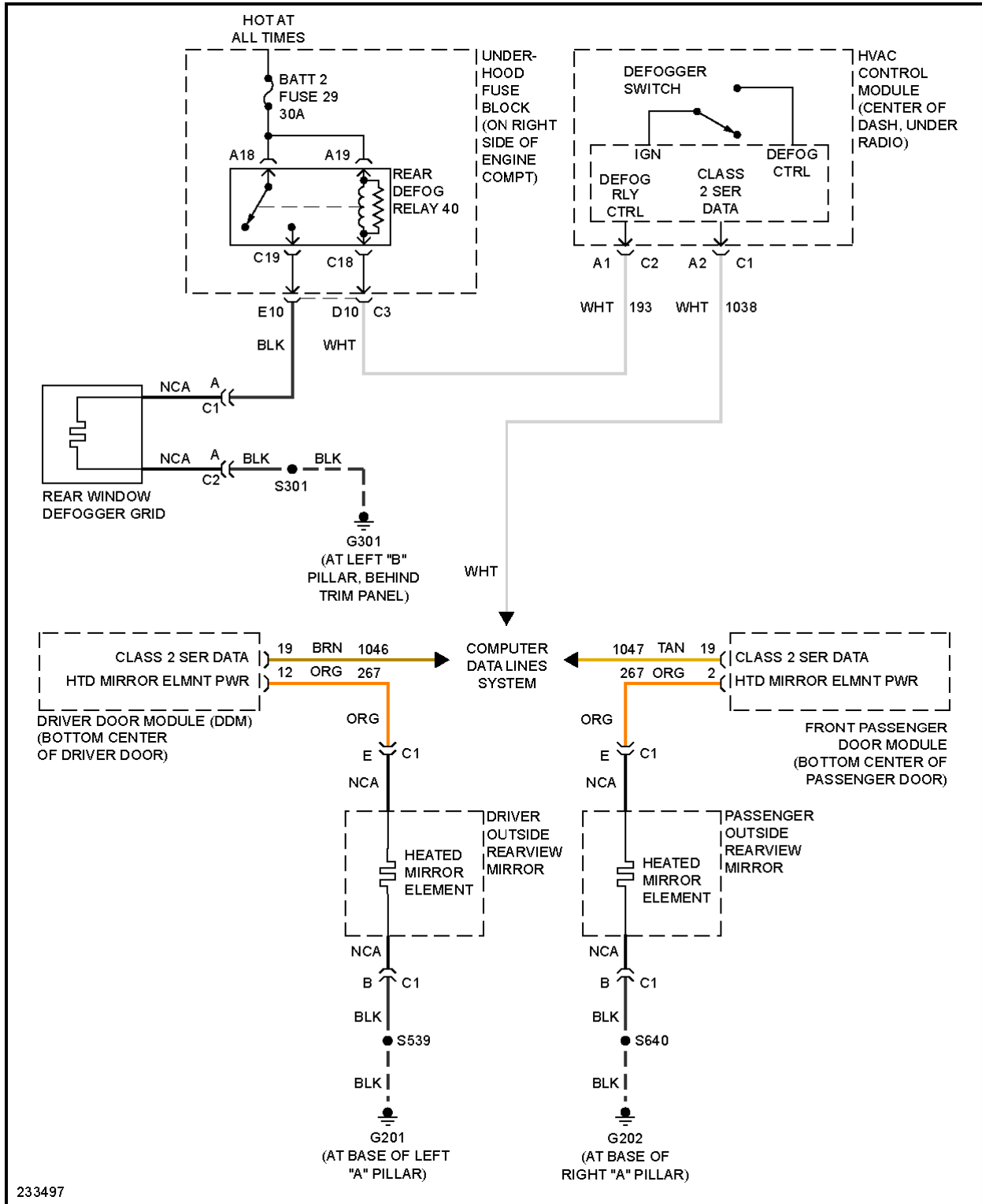


Fig. 18: Defoggers Circuit

ELECTRONIC MUFFLER

2007 Chevrolet Corvette

2007 SYSTEM WIRING DIAGRAMS Chevrolet - Corvette

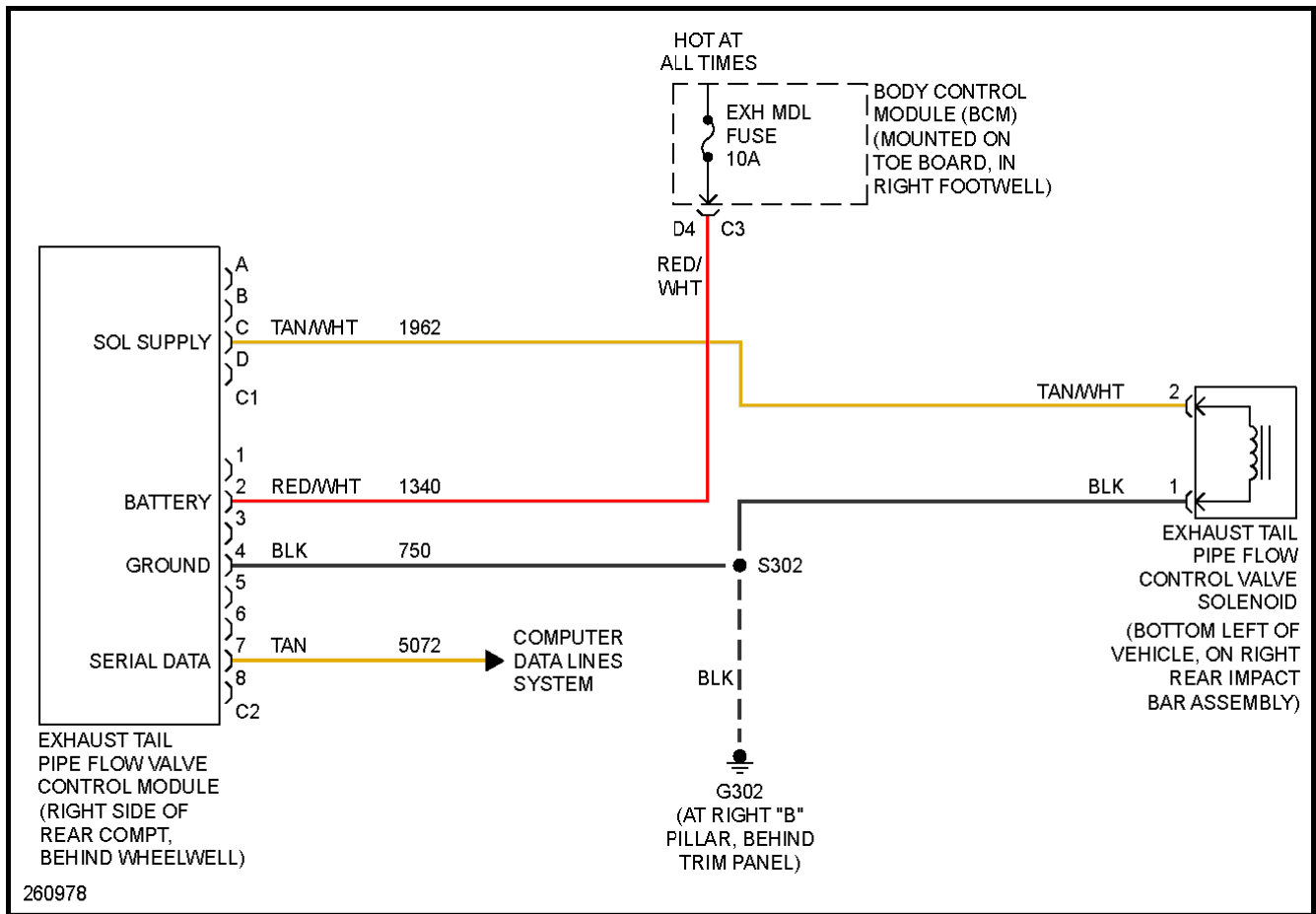


Fig. 19: Electronic Muffler Circuit

ELECTRONIC POWER STEERING

2007 Chevrolet Corvette

2007 SYSTEM WIRING DIAGRAMS Chevrolet - Corvette

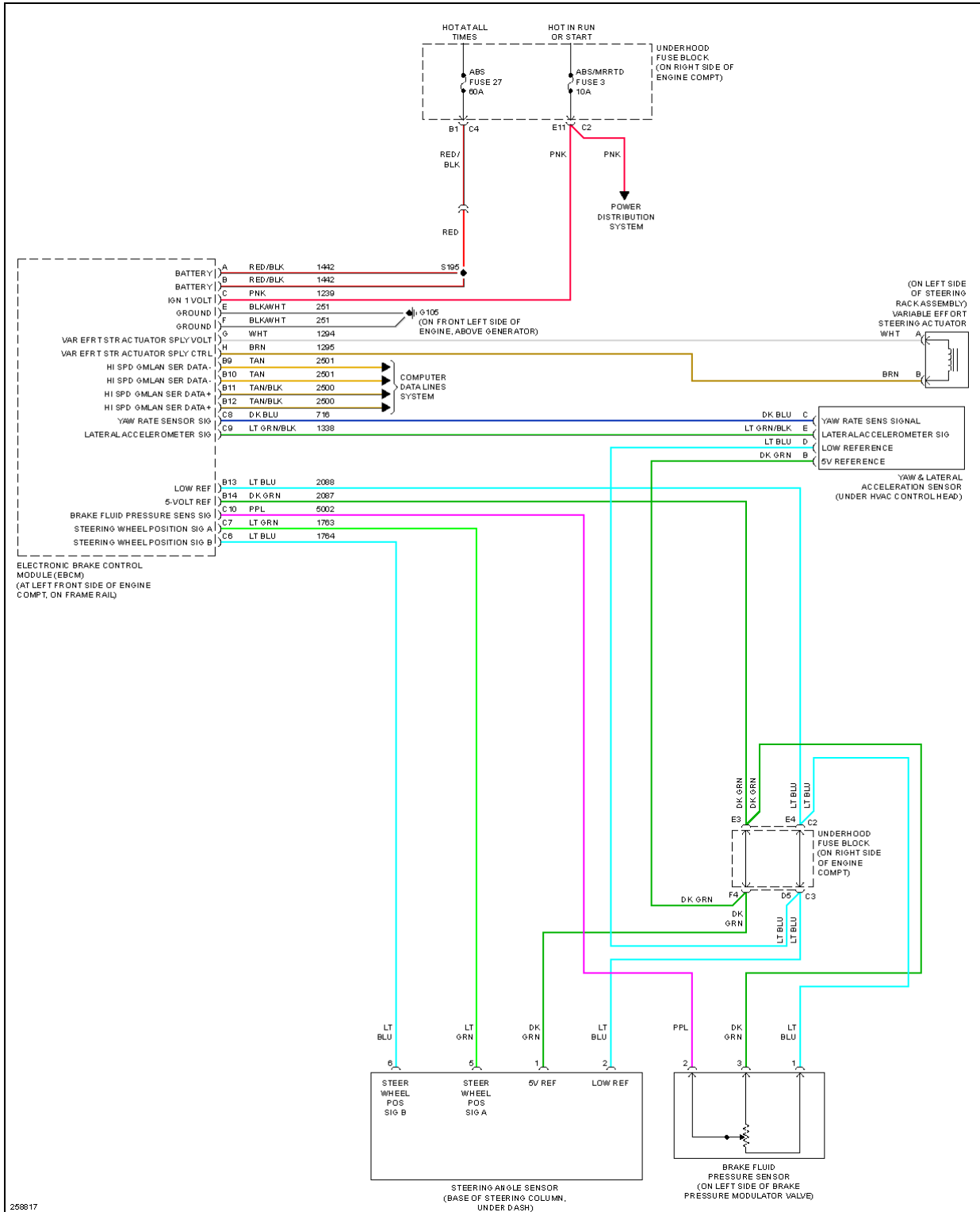


Fig. 20: Electronic Power Steering Circuit

ELECTRONIC SUSPENSION

2007 Chevrolet Corvette

2007 SYSTEM WIRING DIAGRAMS Chevrolet - Corvette

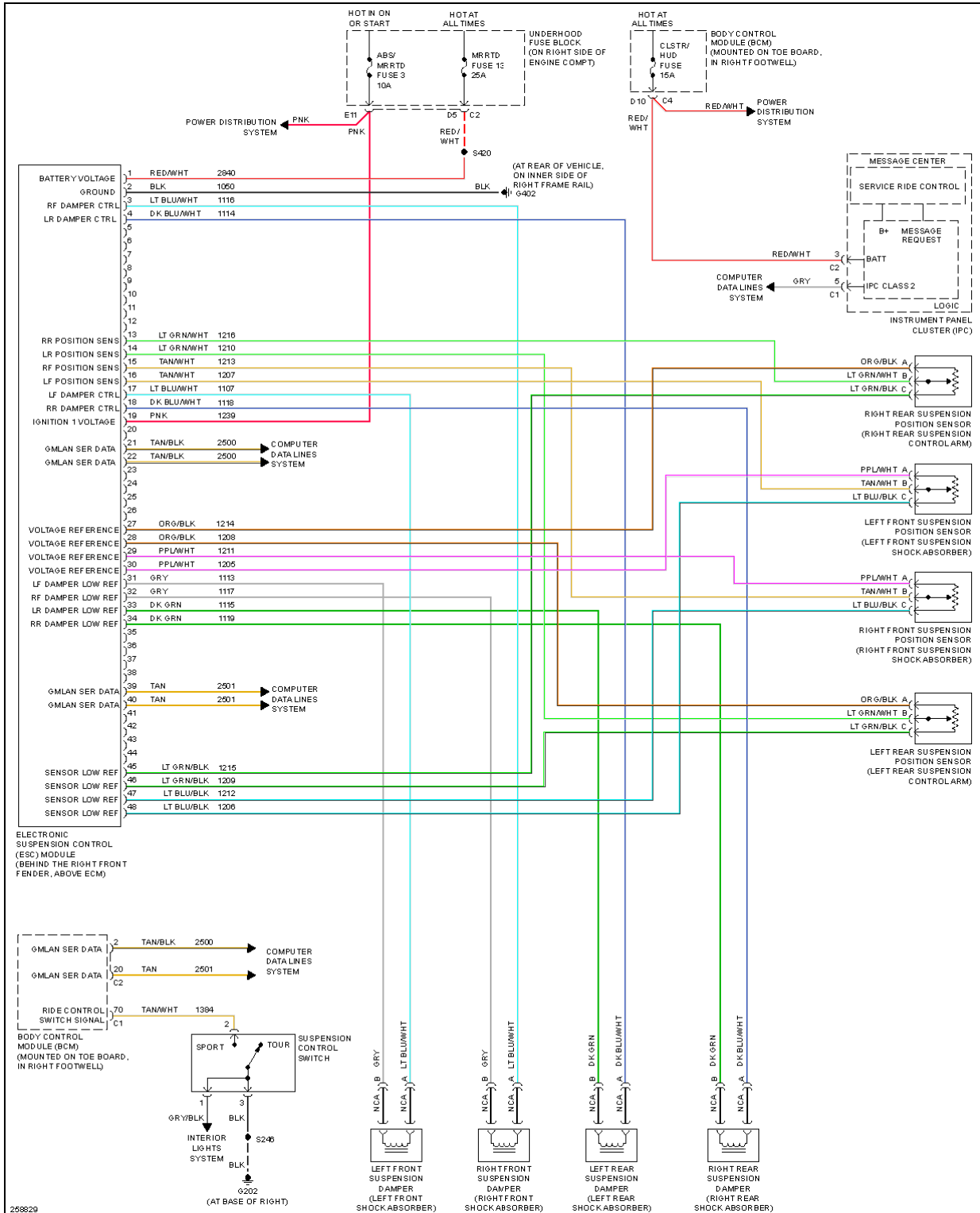


Fig. 21: Electronic Suspension Circuit

ENGINE PERFORMANCE

6.0L VIN U

2007 Chevrolet Corvette

2007 SYSTEM WIRING DIAGRAMS Chevrolet - Corvette

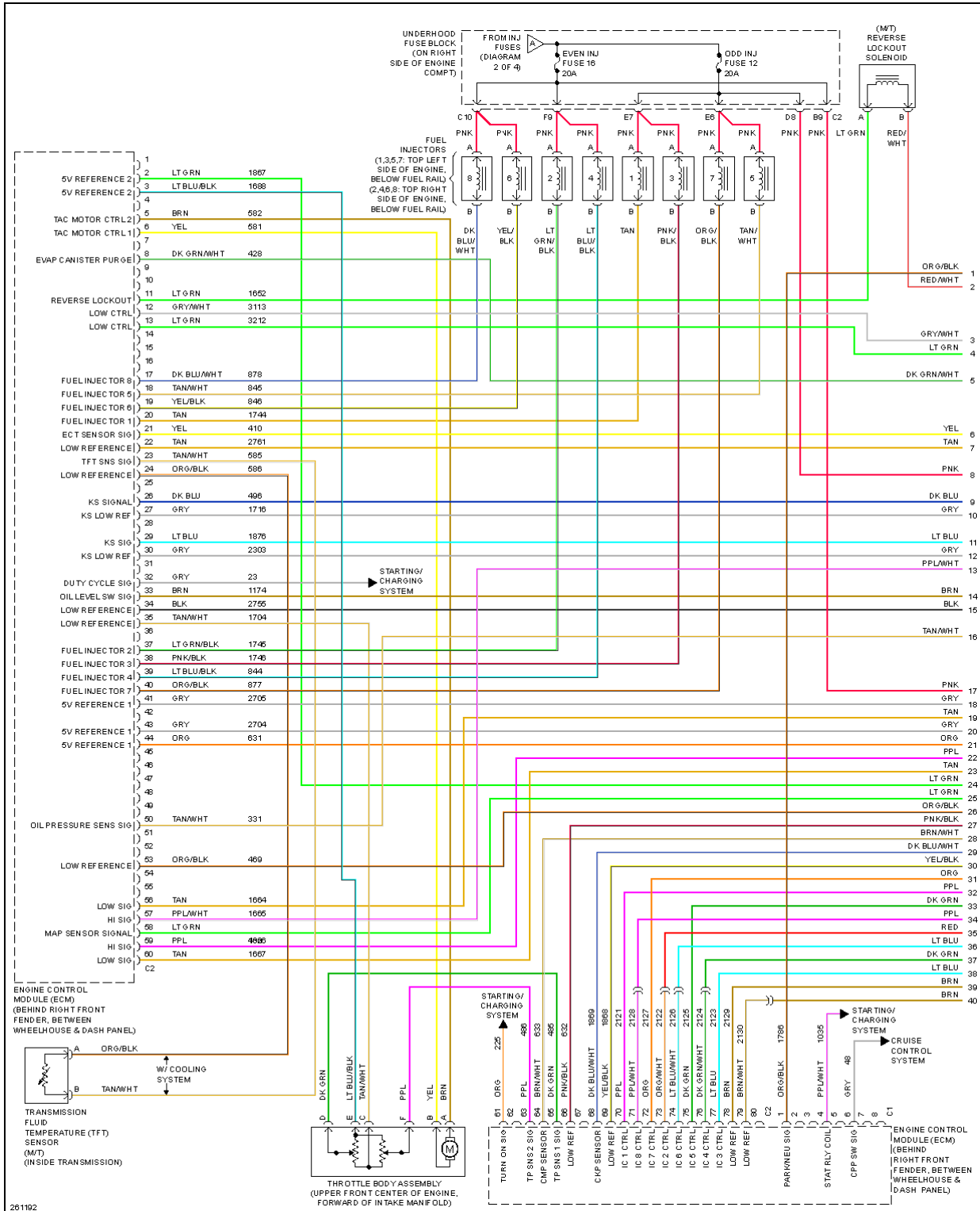
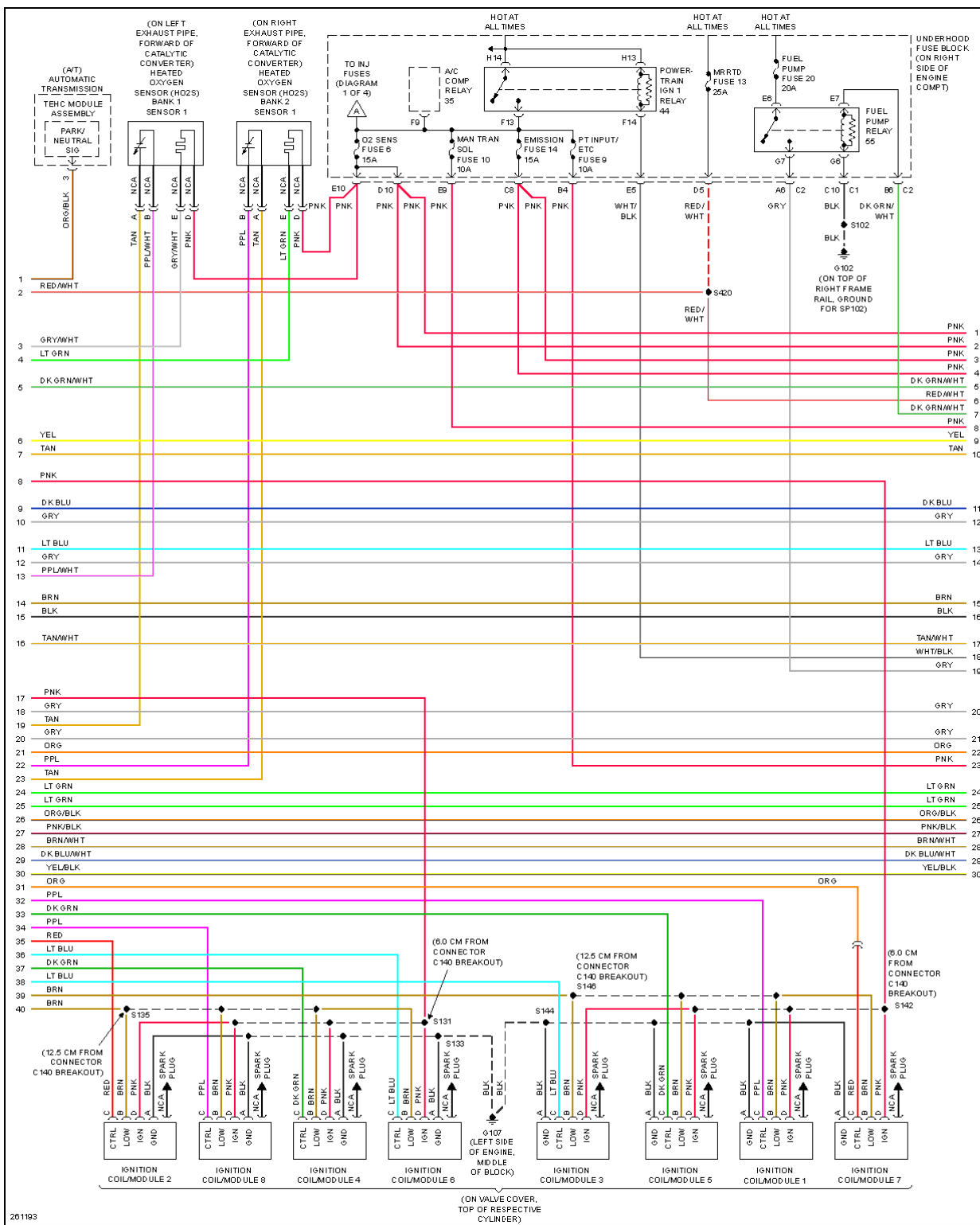


Fig. 22: 6.0L VIN U, Engine Performance Circuit (1 of 4)

2007 Chevrolet Corvette

2007 SYSTEM WIRING DIAGRAMS Chevrolet - Corvette



2007 Chevrolet Corvette

2007 SYSTEM WIRING DIAGRAMS Chevrolet - Corvette

Fig. 23: 6.0L VIN U, Engine Performance Circuit (2 of 4)

2007 Chevrolet Corvette

2007 SYSTEM WIRING DIAGRAMS Chevrolet - Corvette

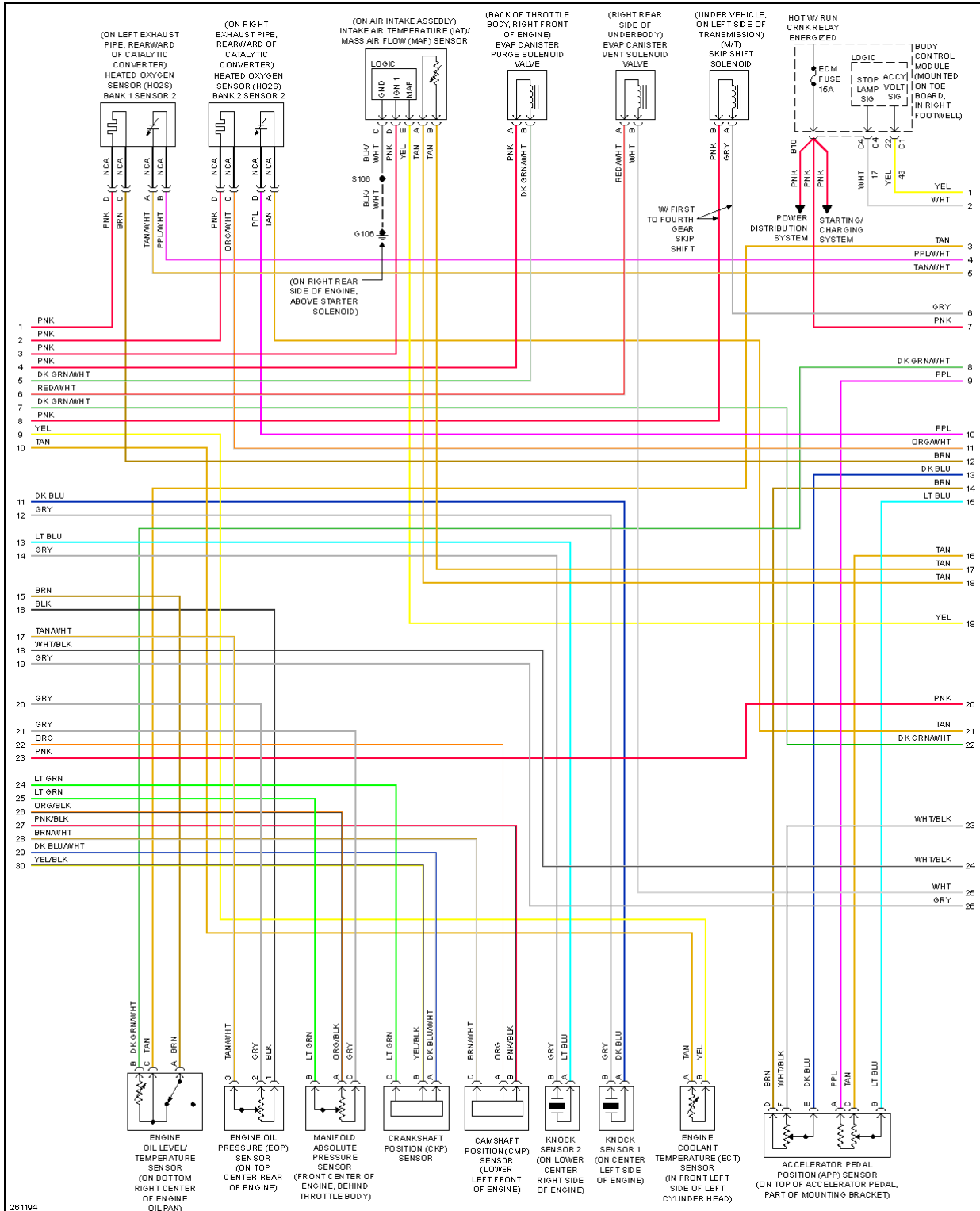


Fig. 24: 6.0L VIN U, Engine Performance Circuit (3 of 4)

2007 Chevrolet Corvette

2007 SYSTEM WIRING DIAGRAMS Chevrolet - Corvette

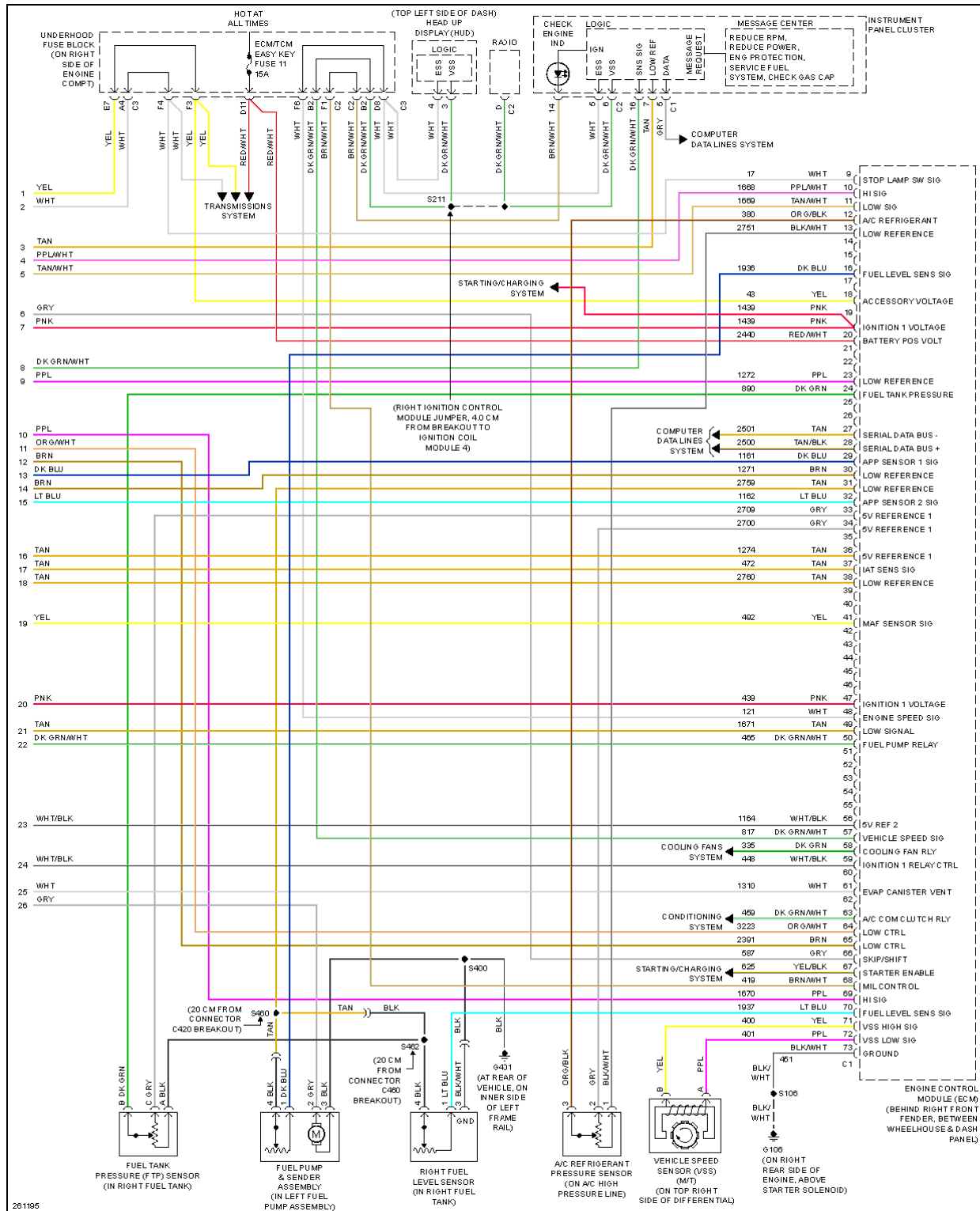


Fig. 25: 6.0L VIN U, Engine Performance Circuit (4 of 4)

7.0L VIN E

2007 Chevrolet Corvette

2007 SYSTEM WIRING DIAGRAMS Chevrolet - Corvette

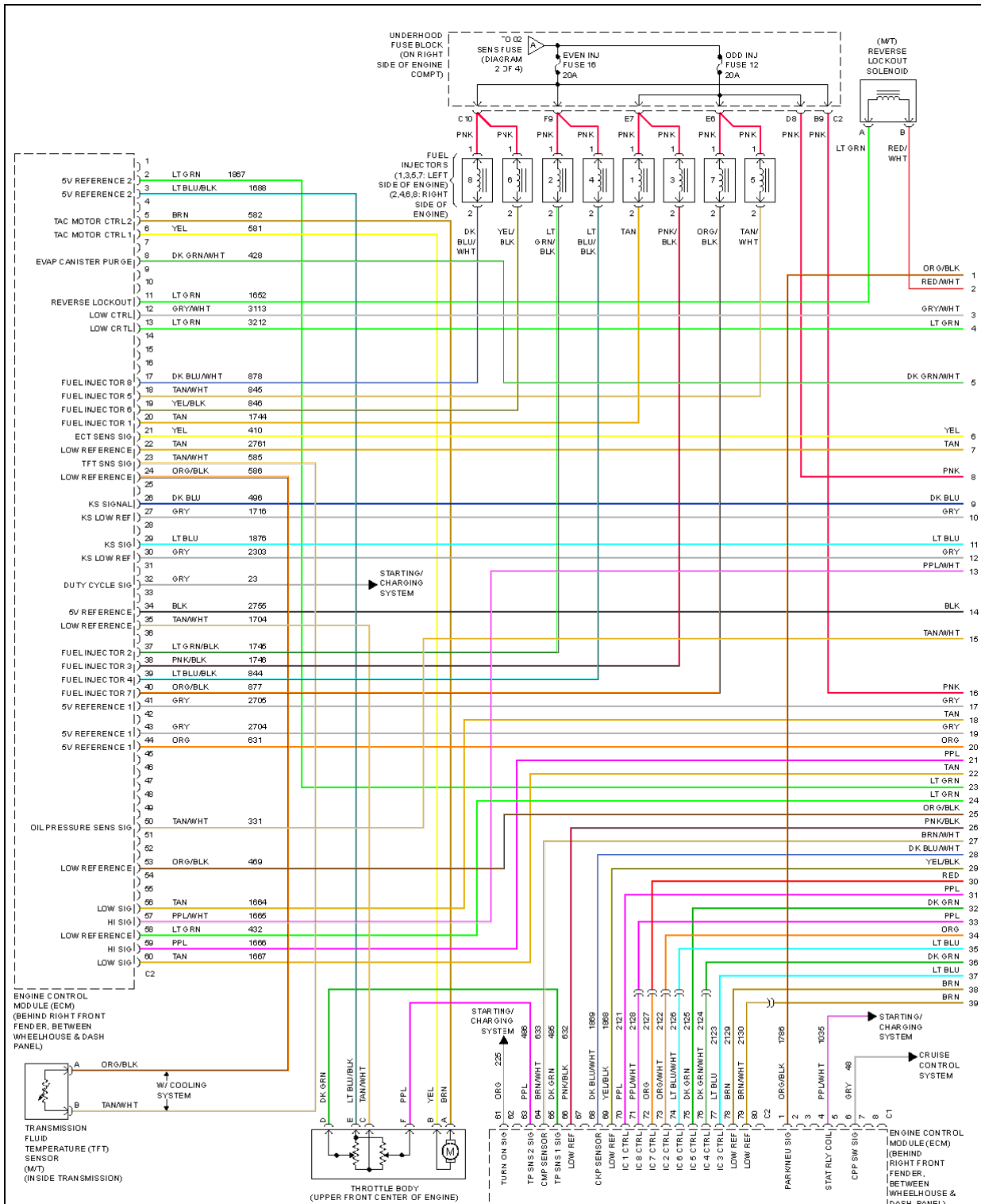


Fig. 26: 7.0L VIN E, Engine Performance Circuit (1 of 4)

2007 Chevrolet Corvette

2007 SYSTEM WIRING DIAGRAMS Chevrolet - Corvette

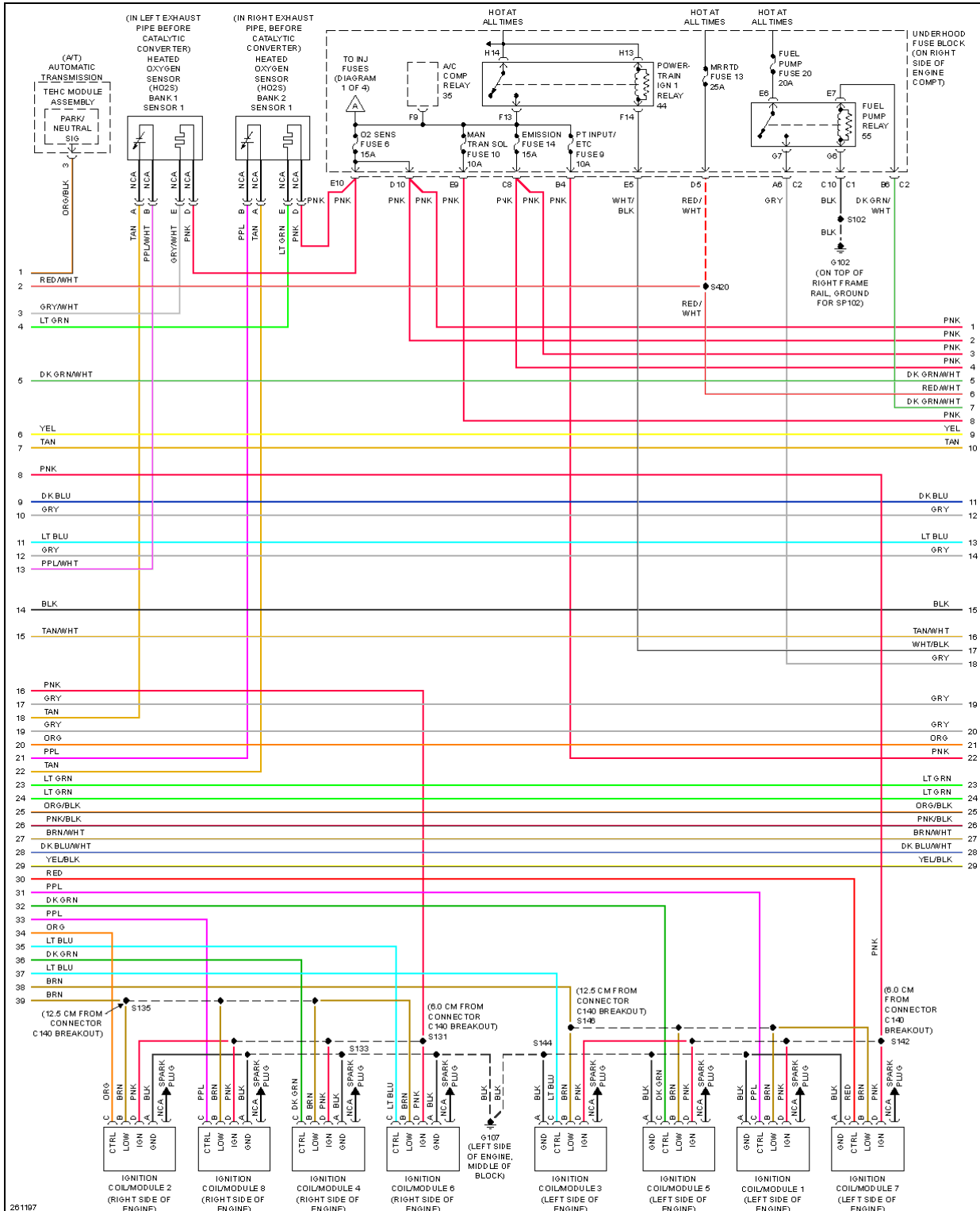
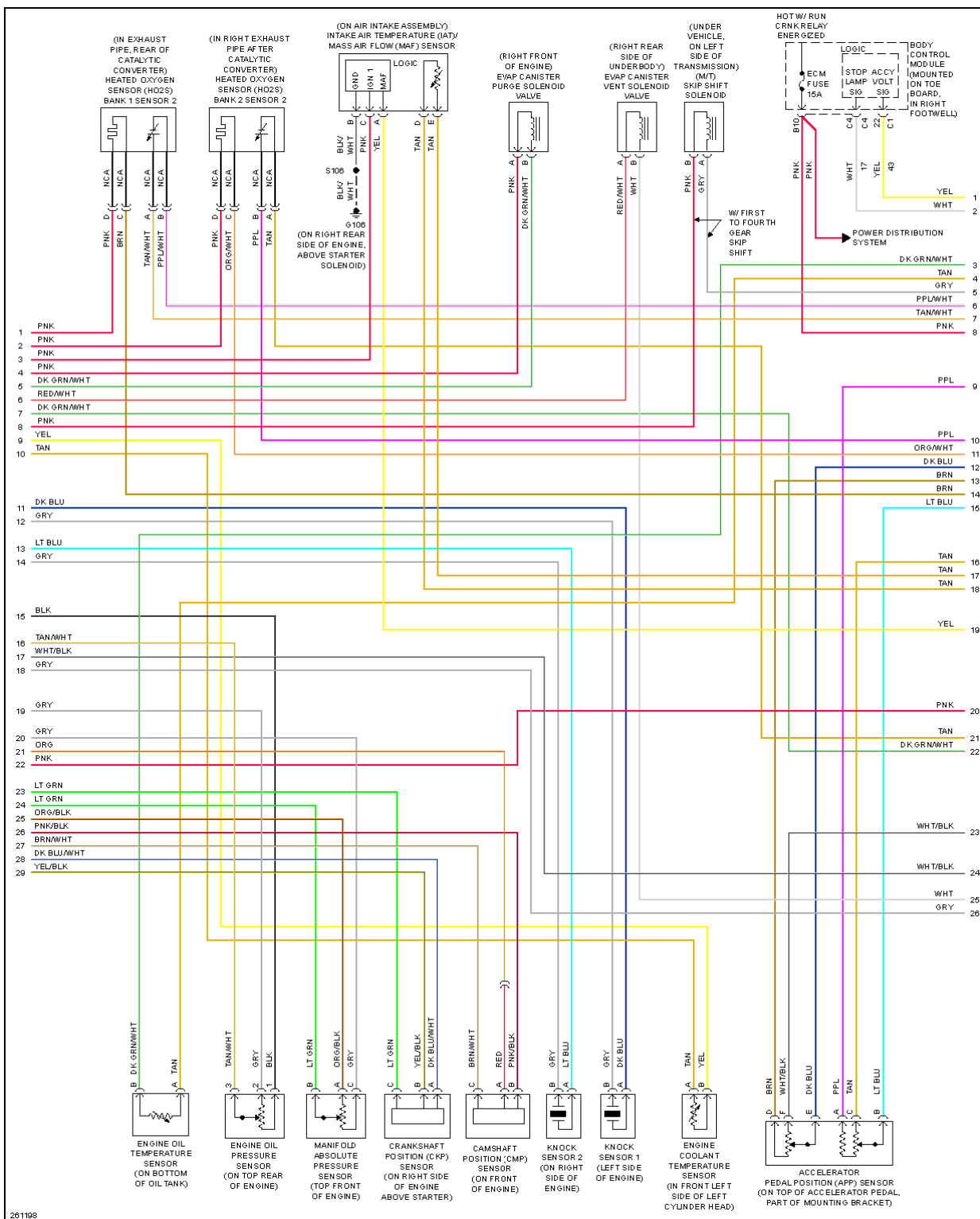


Fig. 27: 7.0L VIN E, Engine Performance Circuit (2 of 4)

2007 Chevrolet Corvette

2007 SYSTEM WIRING DIAGRAMS Chevrolet - Corvette



2007 Chevrolet Corvette

2007 SYSTEM WIRING DIAGRAMS Chevrolet - Corvette

Fig. 28: 7.0L VIN E, Engine Performance Circuit (3 of 4)

2007 Chevrolet Corvette

2007 SYSTEM WIRING DIAGRAMS Chevrolet - Corvette

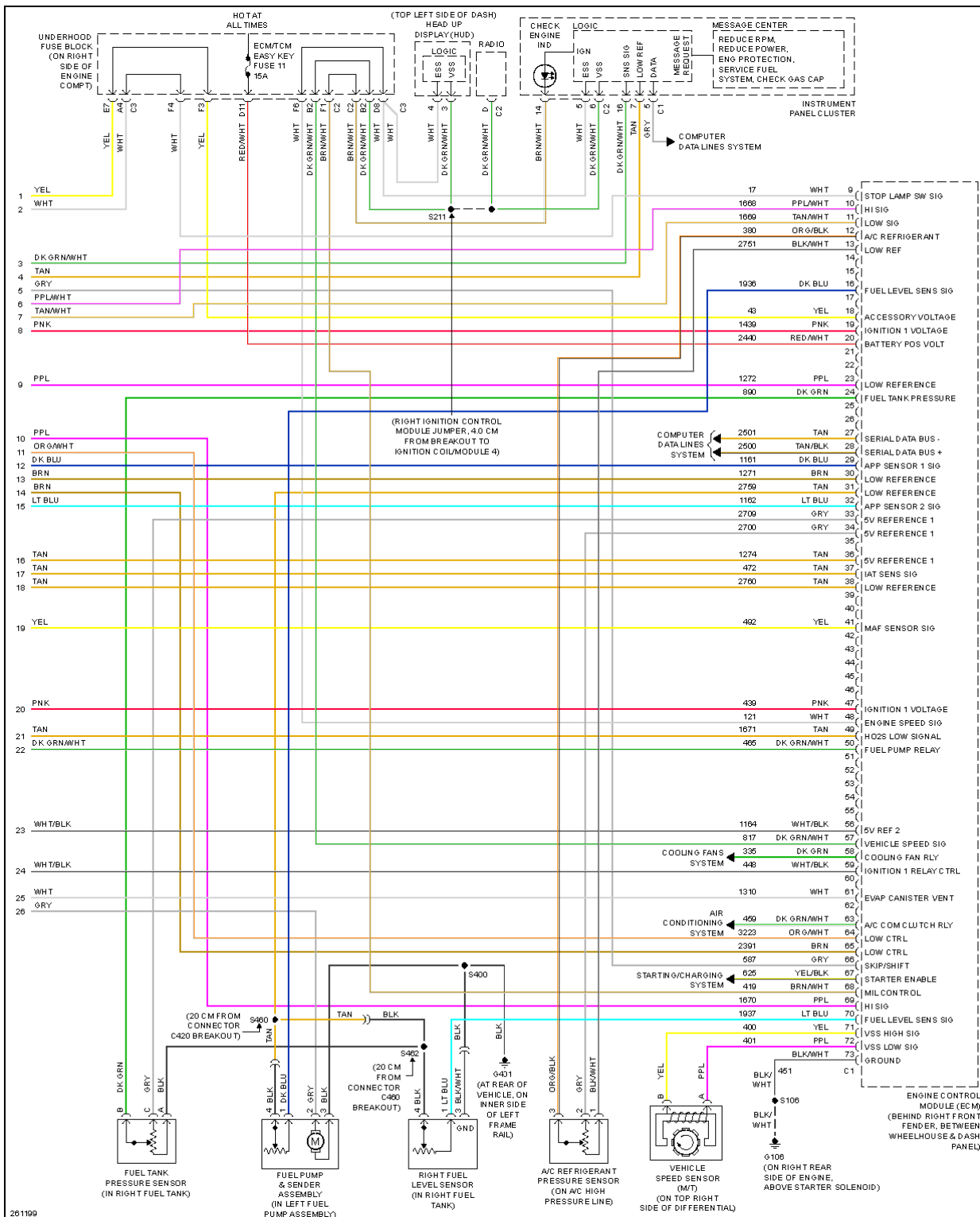


Fig. 29: 7.0L VIN E, Engine Performance Circuit (4 of 4)

EXTERIOR LIGHTS

2007 Chevrolet Corvette

2007 SYSTEM WIRING DIAGRAMS Chevrolet - Corvette

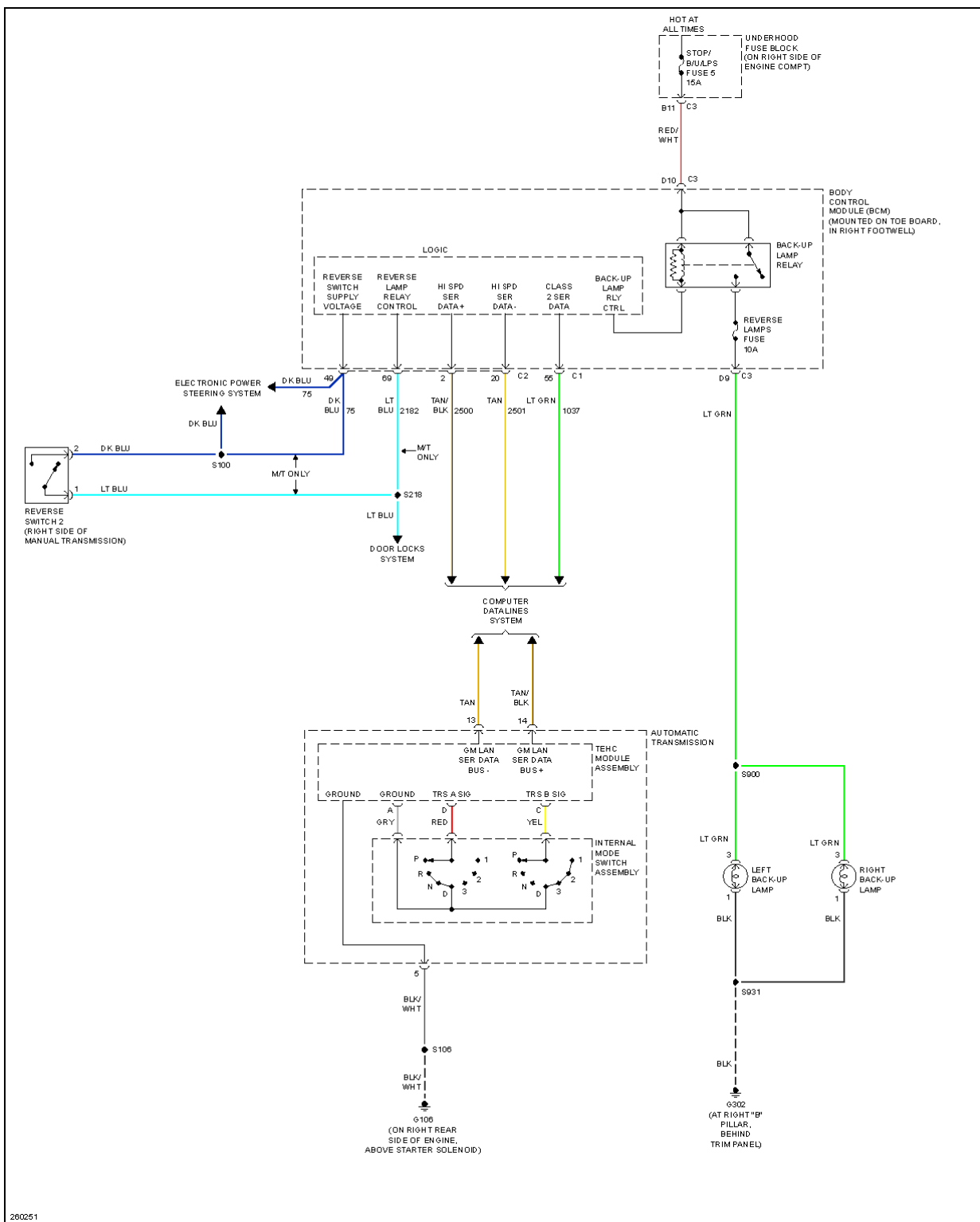


Fig. 30: Back-up Lamps Circuit

2007 Chevrolet Corvette

2007 SYSTEM WIRING DIAGRAMS Chevrolet - Corvette

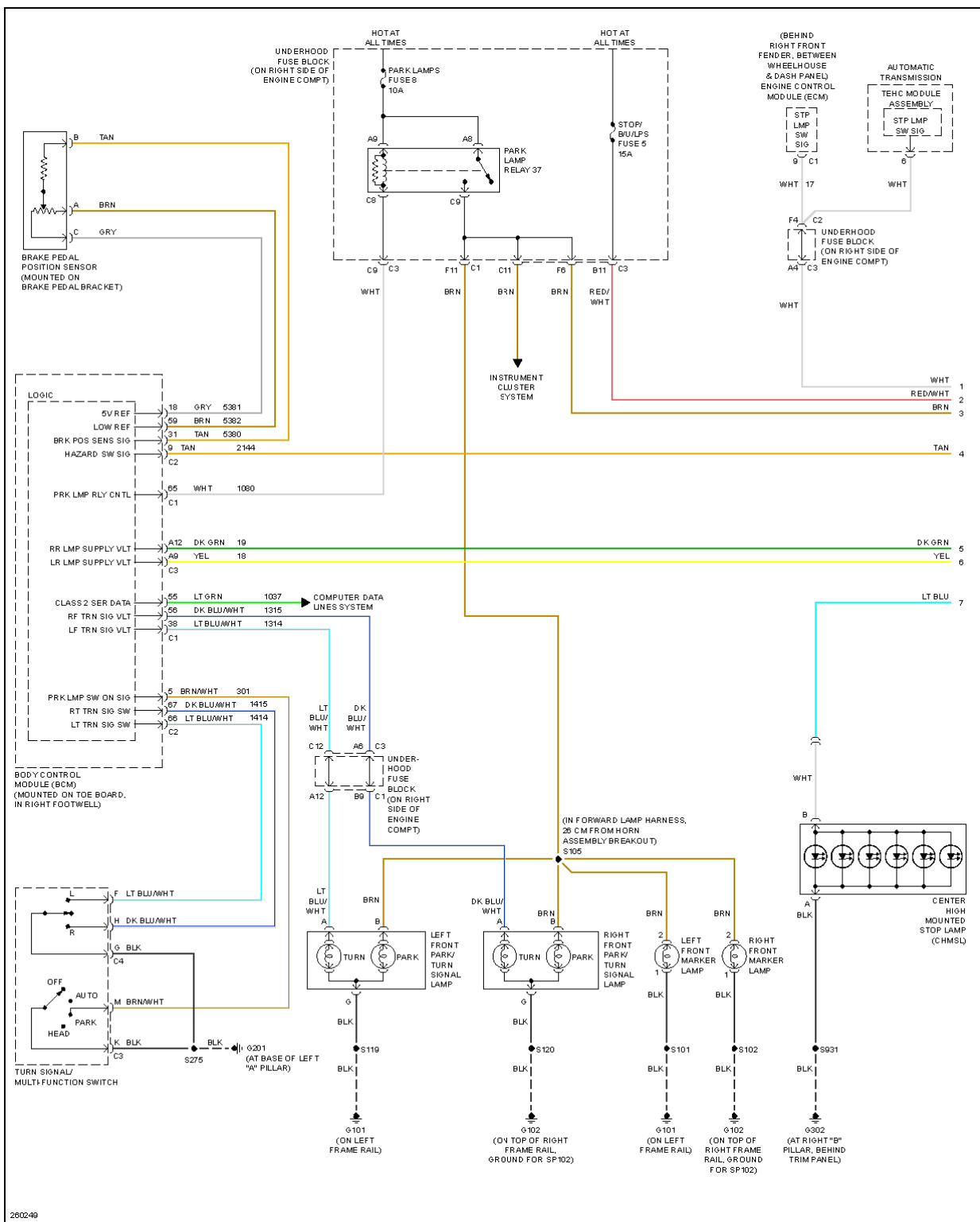


Fig. 31: Exterior Lamps Circuit (1 of 2)

2007 Chevrolet Corvette

2007 SYSTEM WIRING DIAGRAMS Chevrolet - Corvette

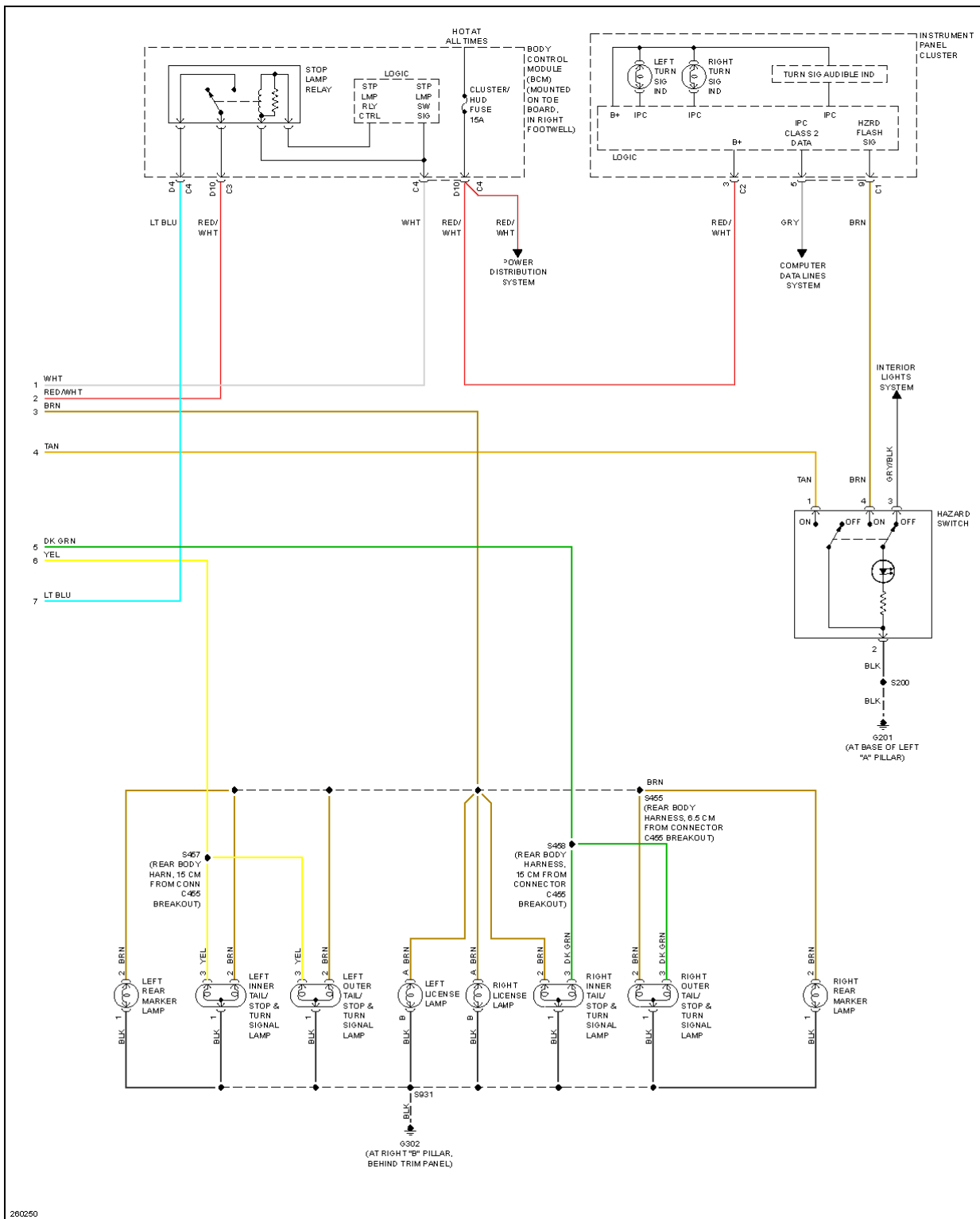


Fig. 32: Exterior Lamps Circuit (2 of 2)

GROUND DISTRIBUTION

2007 Chevrolet Corvette

2007 SYSTEM WIRING DIAGRAMS Chevrolet - Corvette

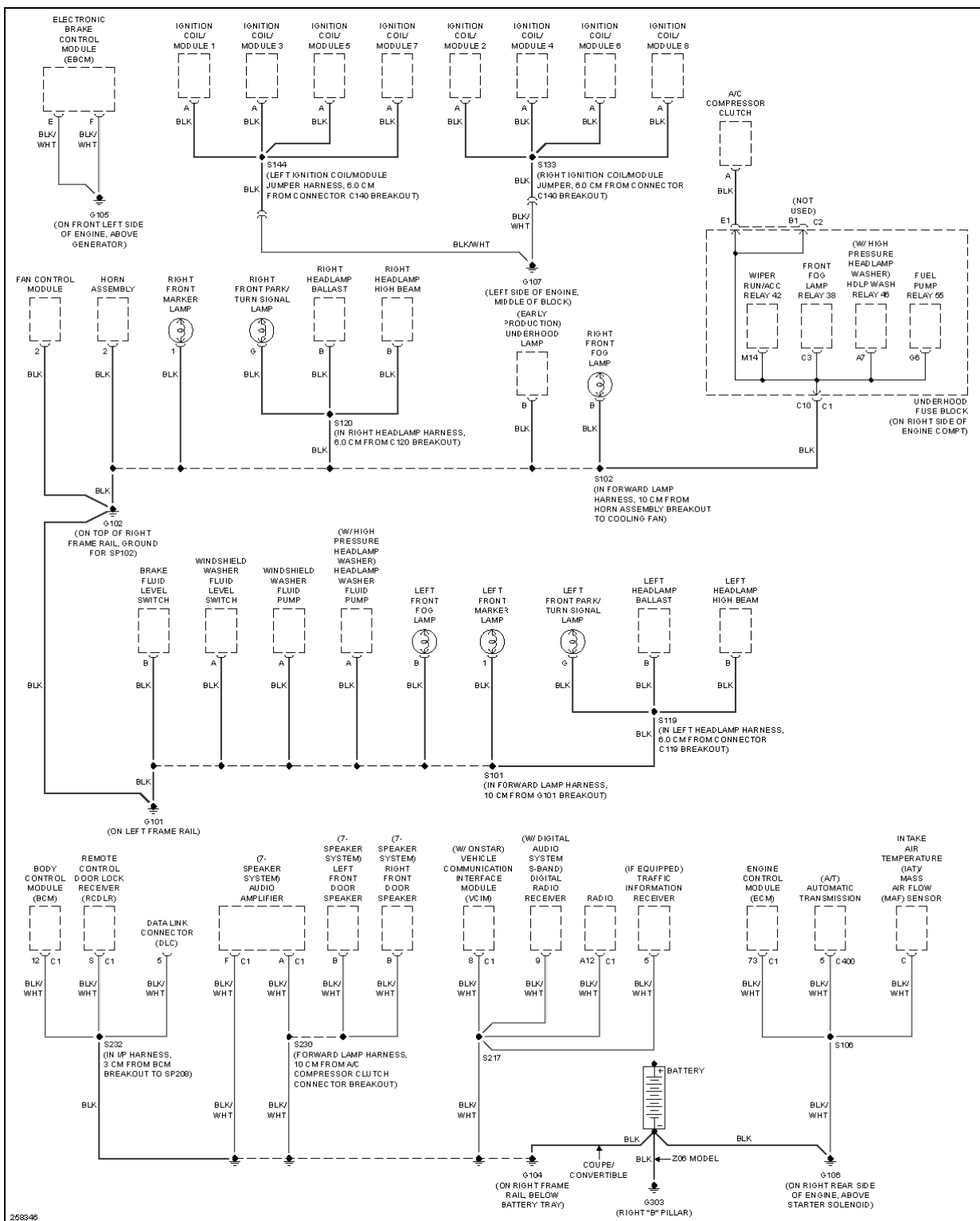


Fig. 33: Ground Distribution Circuit (1 of 4)

2007 Chevrolet Corvette

2007 SYSTEM WIRING DIAGRAMS Chevrolet - Corvette

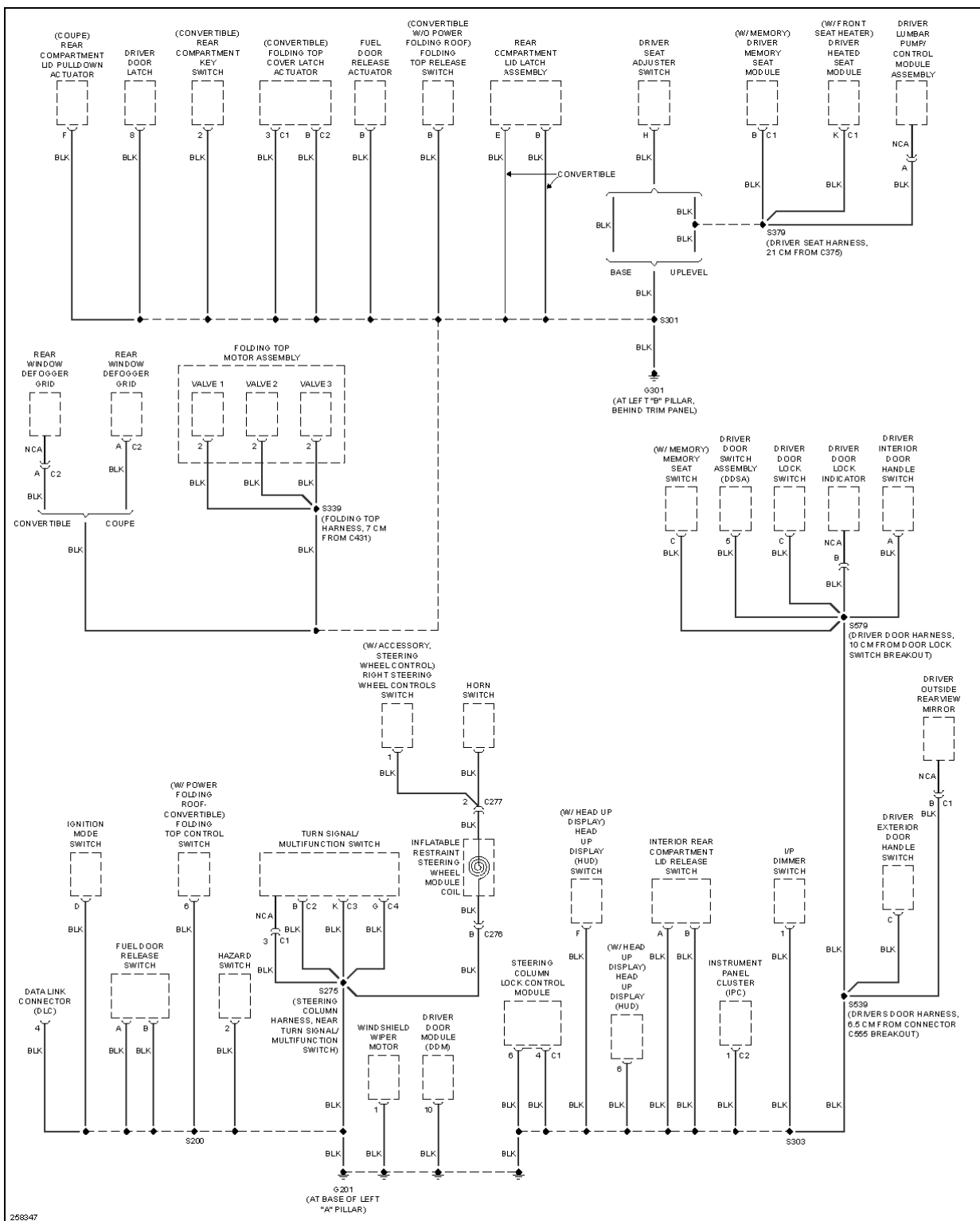


Fig. 34: Ground Distribution Circuit (2 of 4)

2007 Chevrolet Corvette

2007 SYSTEM WIRING DIAGRAMS Chevrolet - Corvette

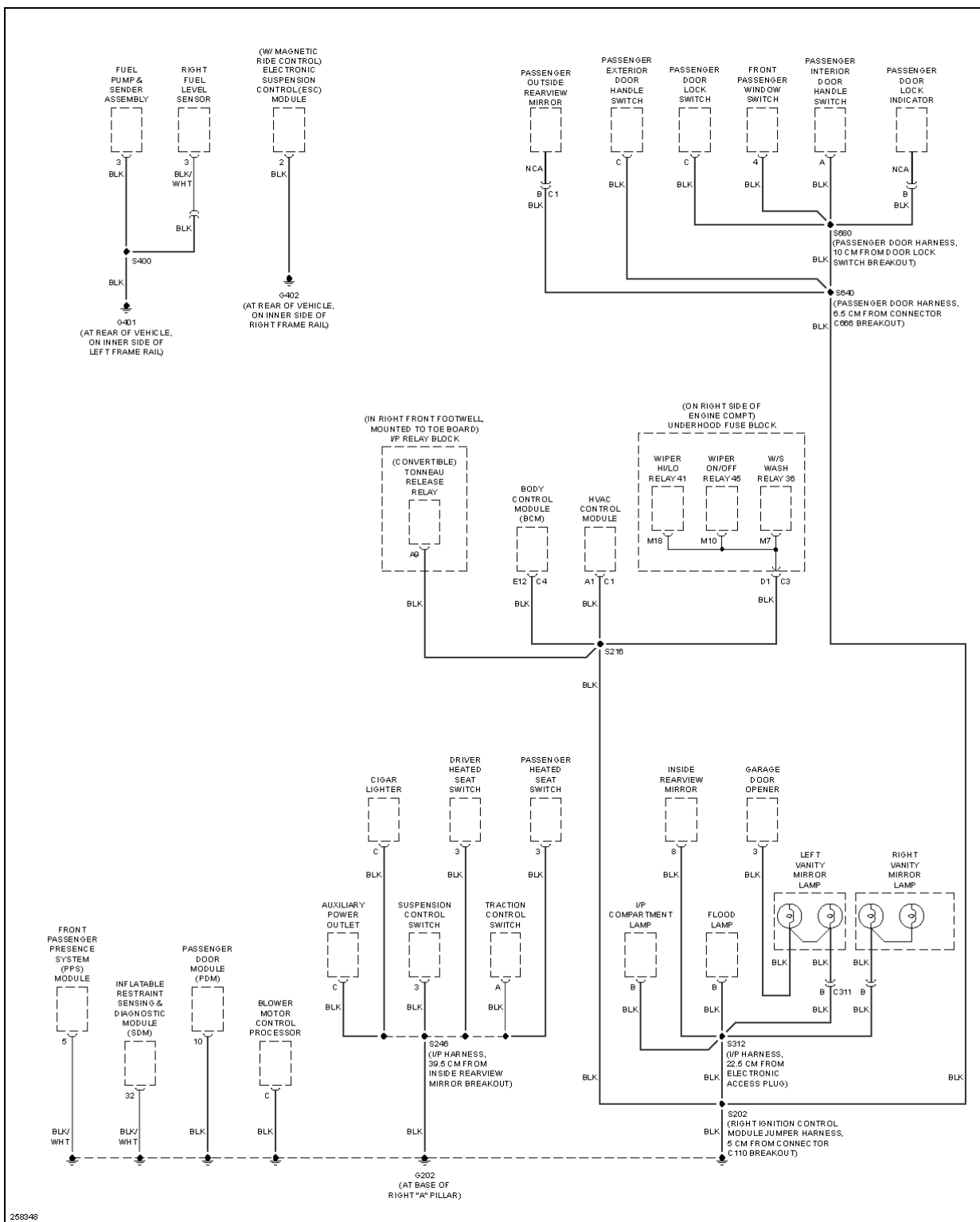


Fig. 35: Ground Distribution Circuit (3 of 4)

2007 Chevrolet Corvette

2007 SYSTEM WIRING DIAGRAMS Chevrolet - Corvette

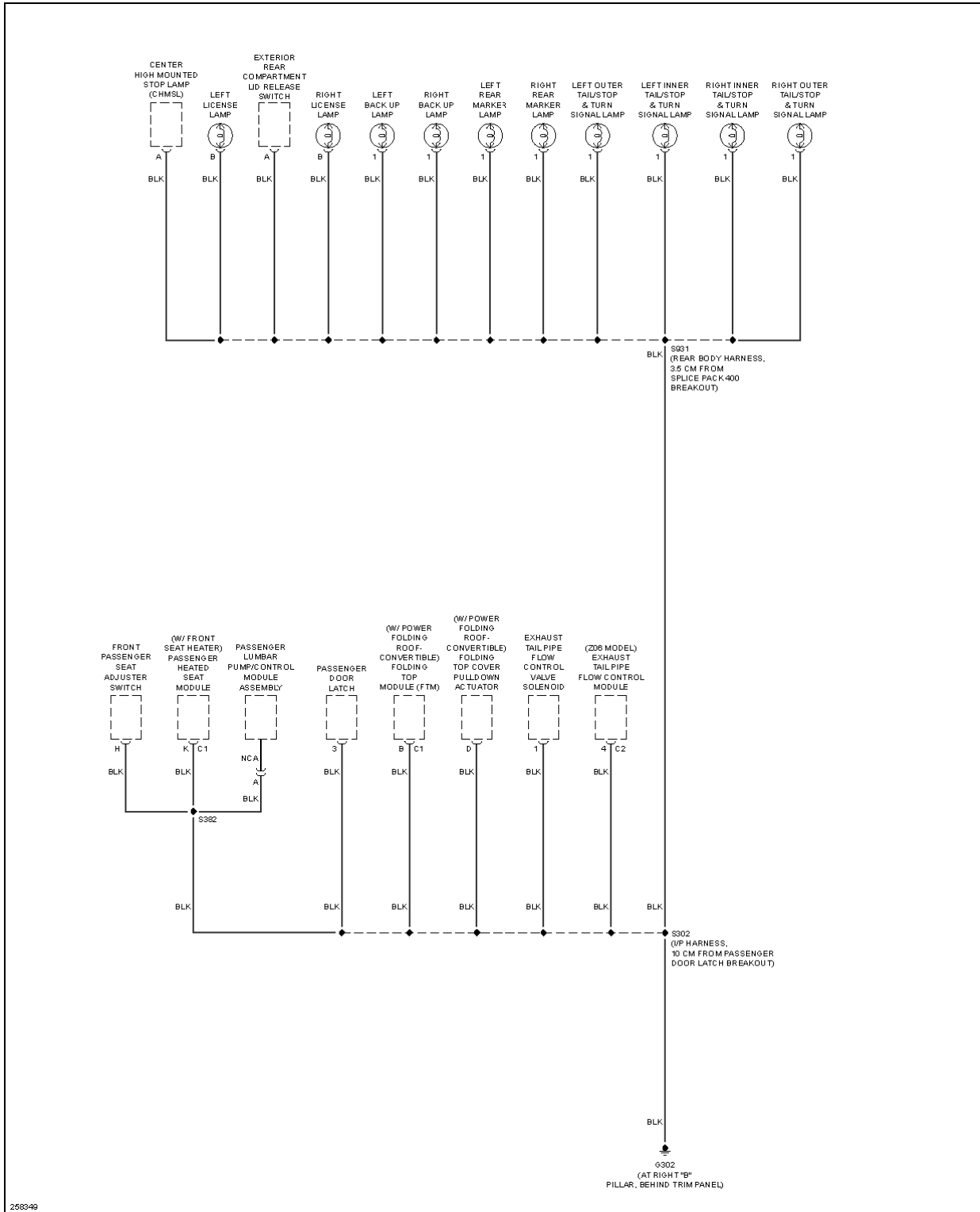


Fig. 36: Ground Distribution Circuit (4 of 4)

HEADLIGHTS

2007 Chevrolet Corvette

2007 SYSTEM WIRING DIAGRAMS Chevrolet - Corvette

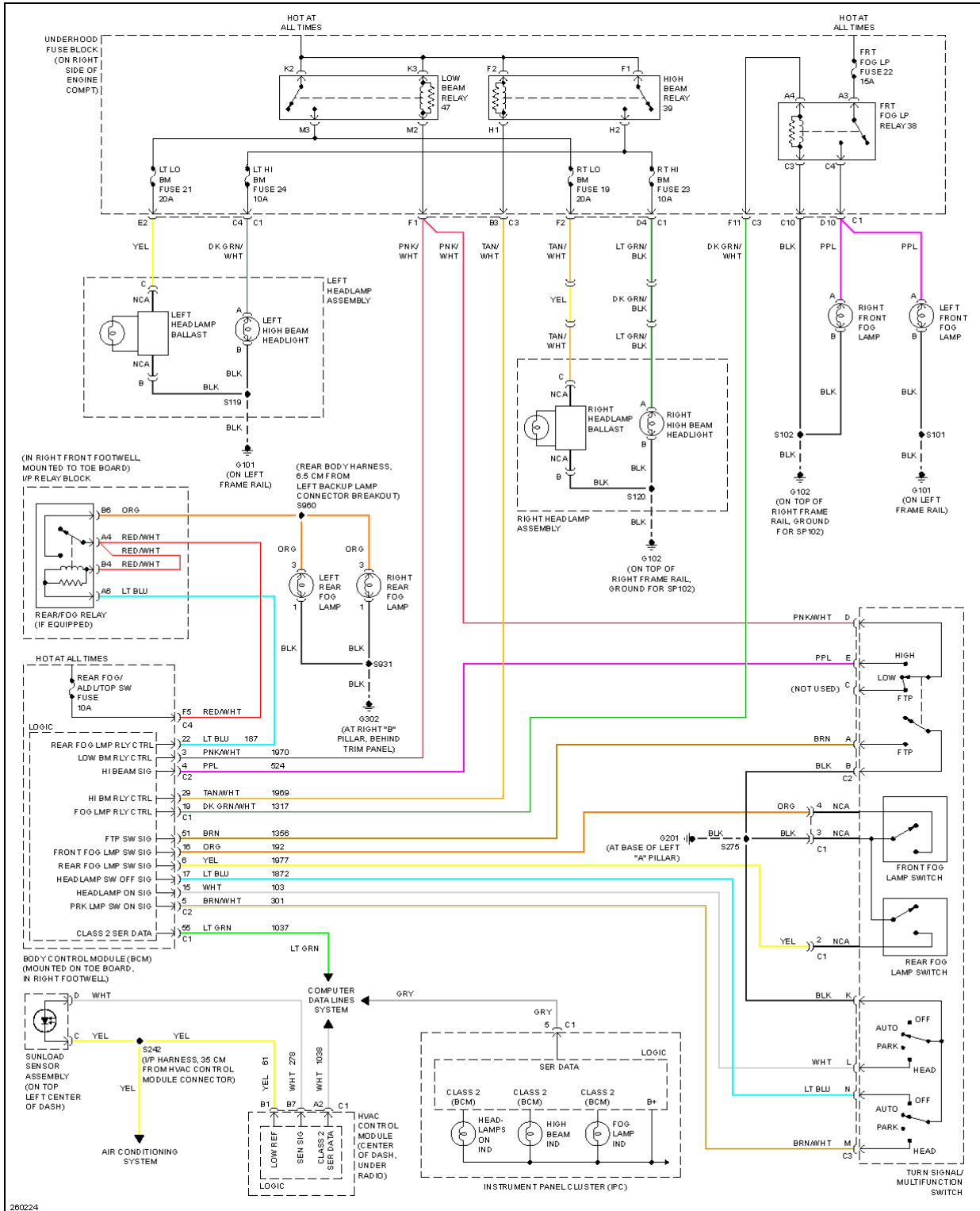


Fig. 37: Headlights Circuit

HORN

2007 Chevrolet Corvette

2007 SYSTEM WIRING DIAGRAMS Chevrolet - Corvette

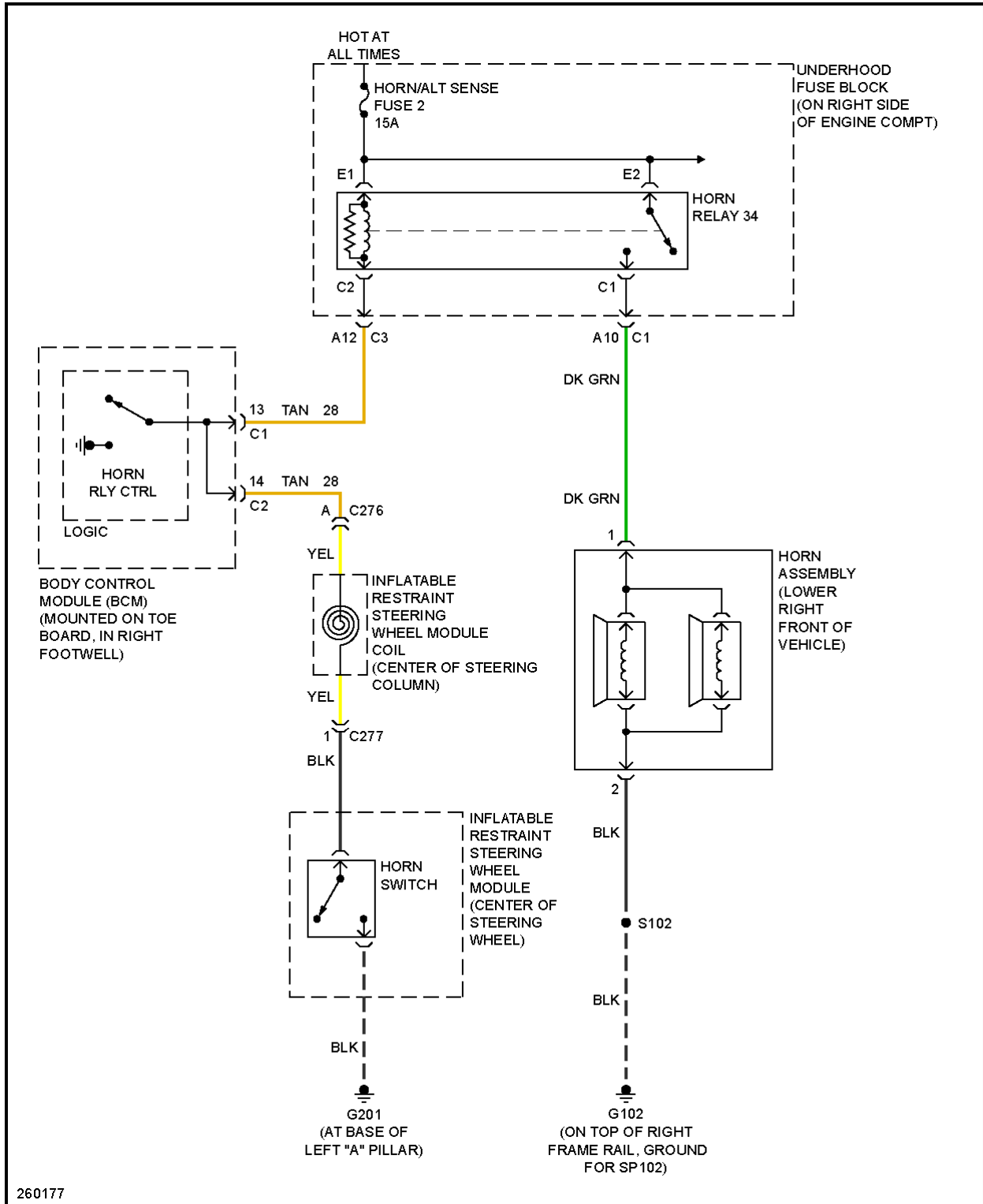


Fig. 38: Horn Circuit

INSTRUMENT CLUSTER

2007 Chevrolet Corvette

2007 SYSTEM WIRING DIAGRAMS Chevrolet - Corvette

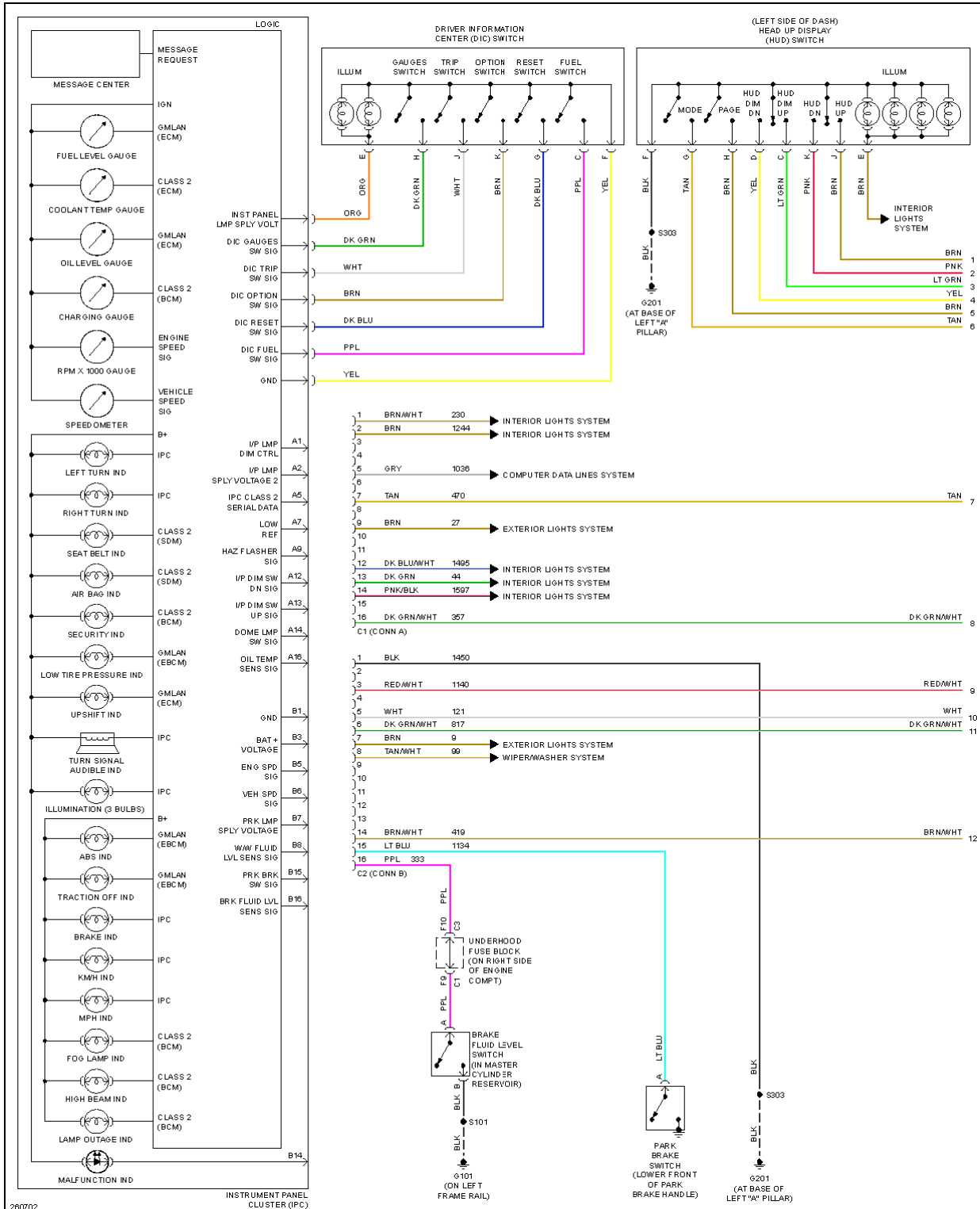


Fig. 39: Instrument Cluster Circuit (1 of 2)

Fig. 40: Instrument Cluster Circuit (2 of 2)

INTERIOR LIGHTS

2007 Chevrolet Corvette

2007 SYSTEM WIRING DIAGRAMS Chevrolet - Corvette

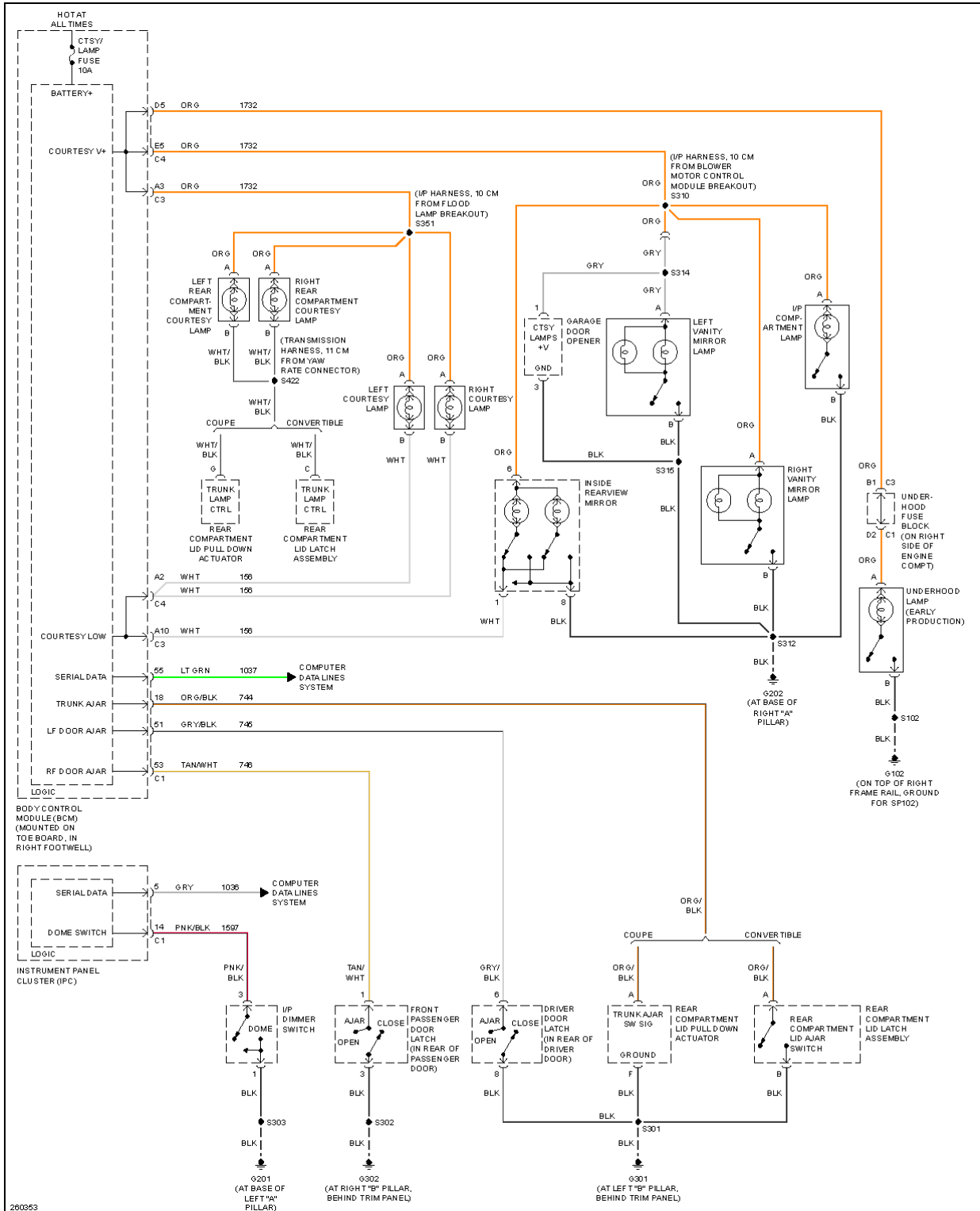


Fig. 41: Courtesy Lamps Circuit

2007 Chevrolet Corvette

2007 SYSTEM WIRING DIAGRAMS Chevrolet - Corvette

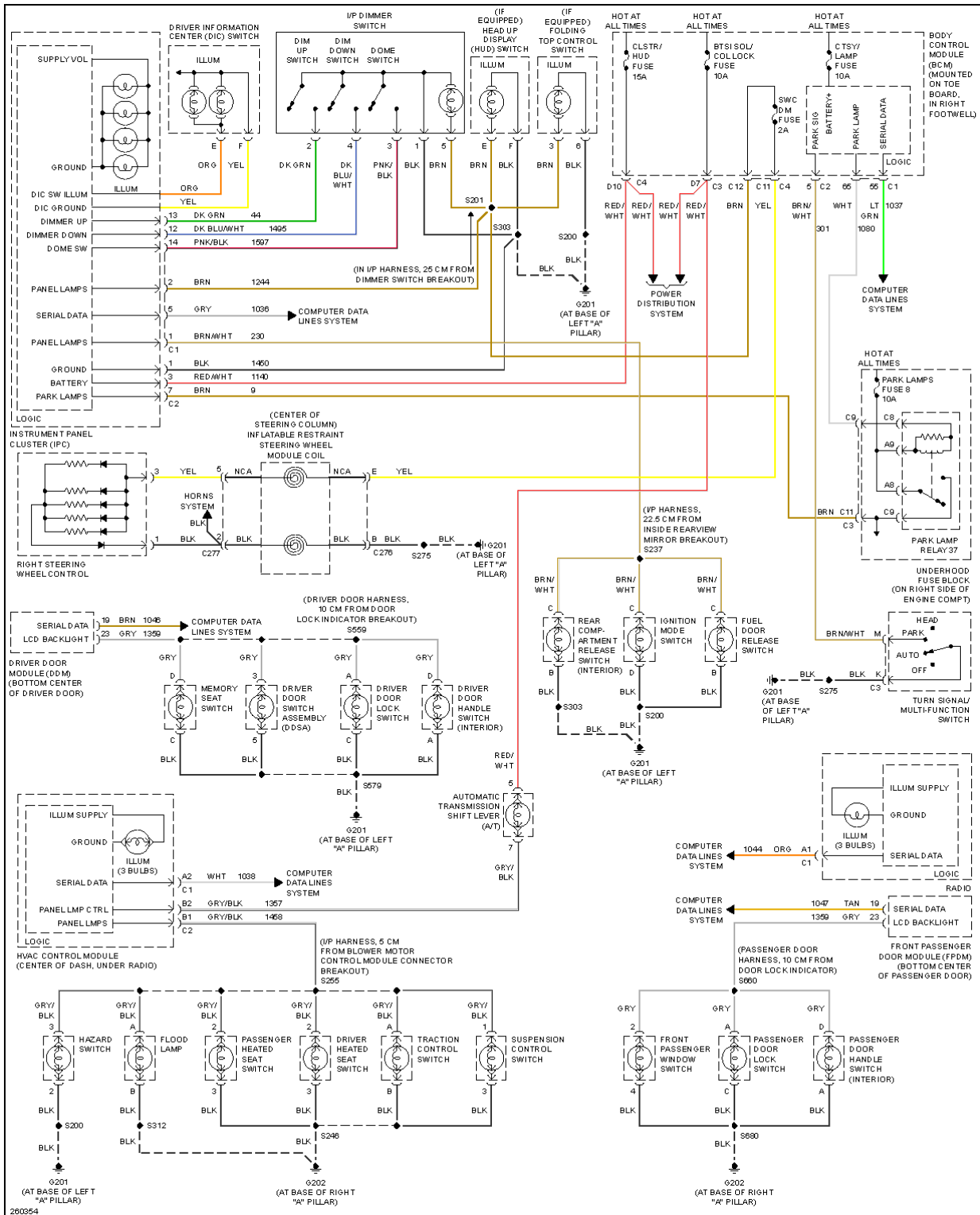


Fig. 42: Instrument Illumination Circuit

MEMORY SYSTEMS

2007 Chevrolet Corvette

2007 SYSTEM WIRING DIAGRAMS Chevrolet - Corvette

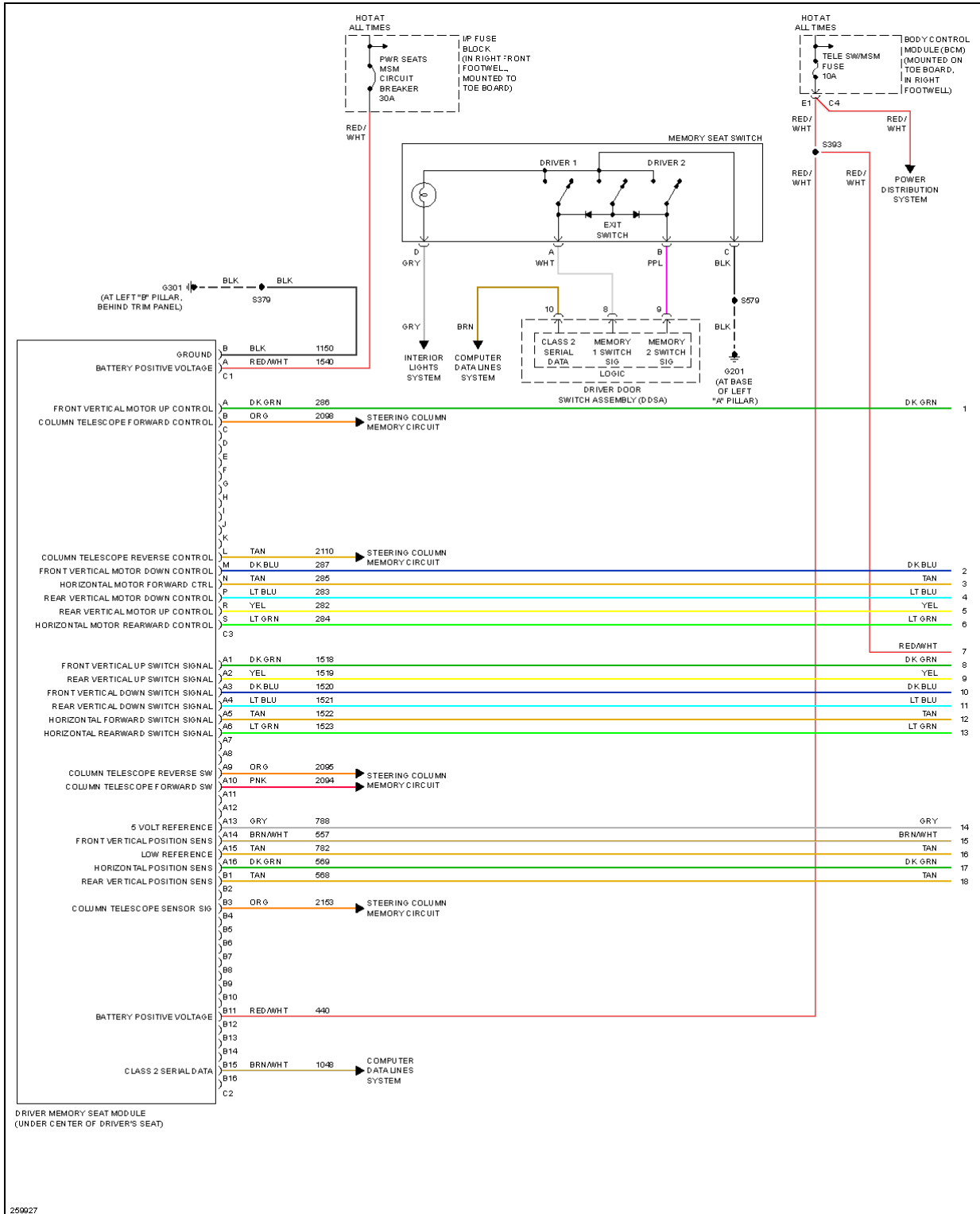


Fig. 43: Driver's Memory Seat Circuit (1 of 2)

2007 Chevrolet Corvette

2007 SYSTEM WIRING DIAGRAMS Chevrolet - Corvette

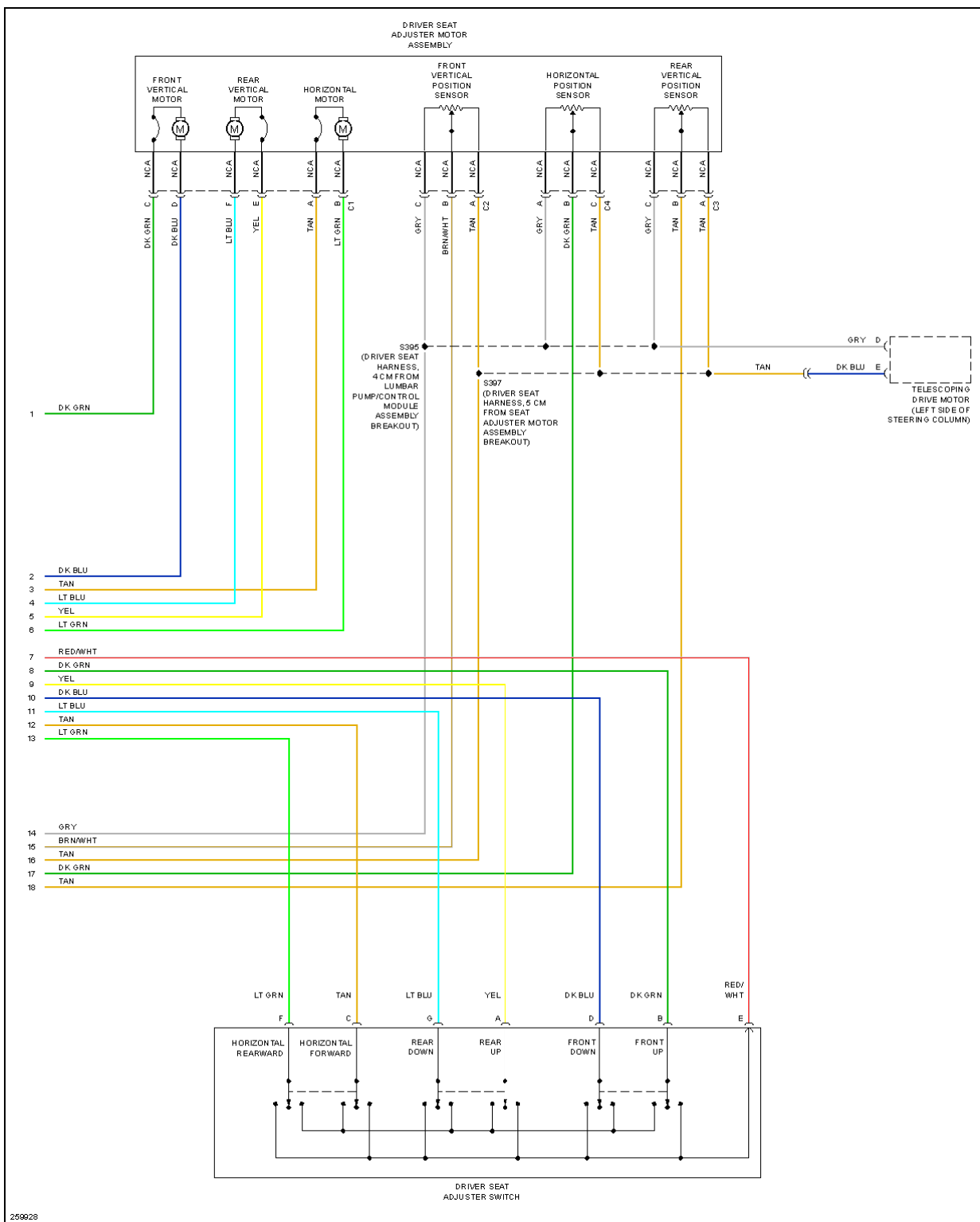


Fig. 44: Driver's Memory Seat Circuit (2 of 2)

2007 Chevrolet Corvette

2007 SYSTEM WIRING DIAGRAMS Chevrolet - Corvette

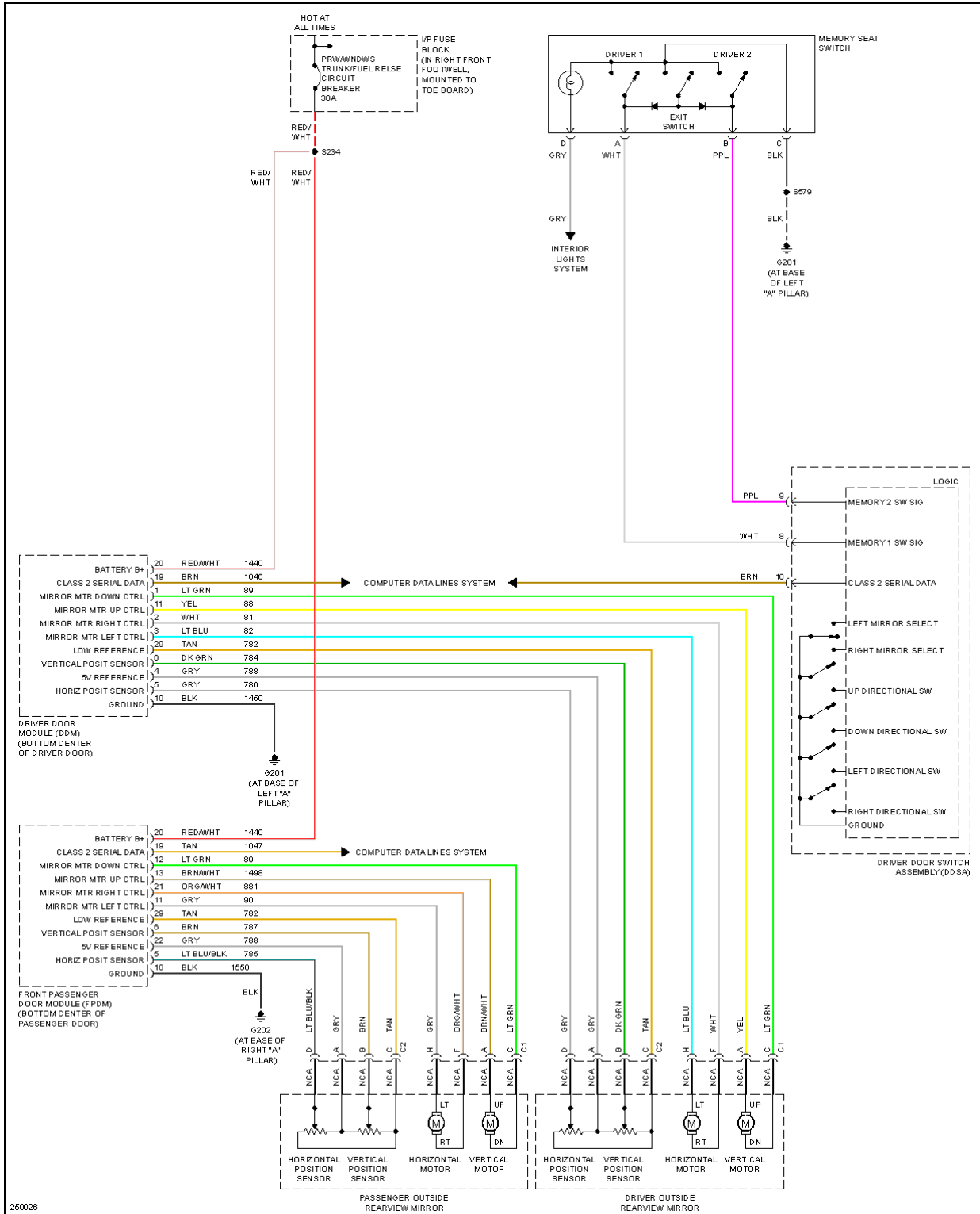


Fig. 45: Memory Mirrors Circuit

2007 Chevrolet Corvette

2007 SYSTEM WIRING DIAGRAMS Chevrolet - Corvette

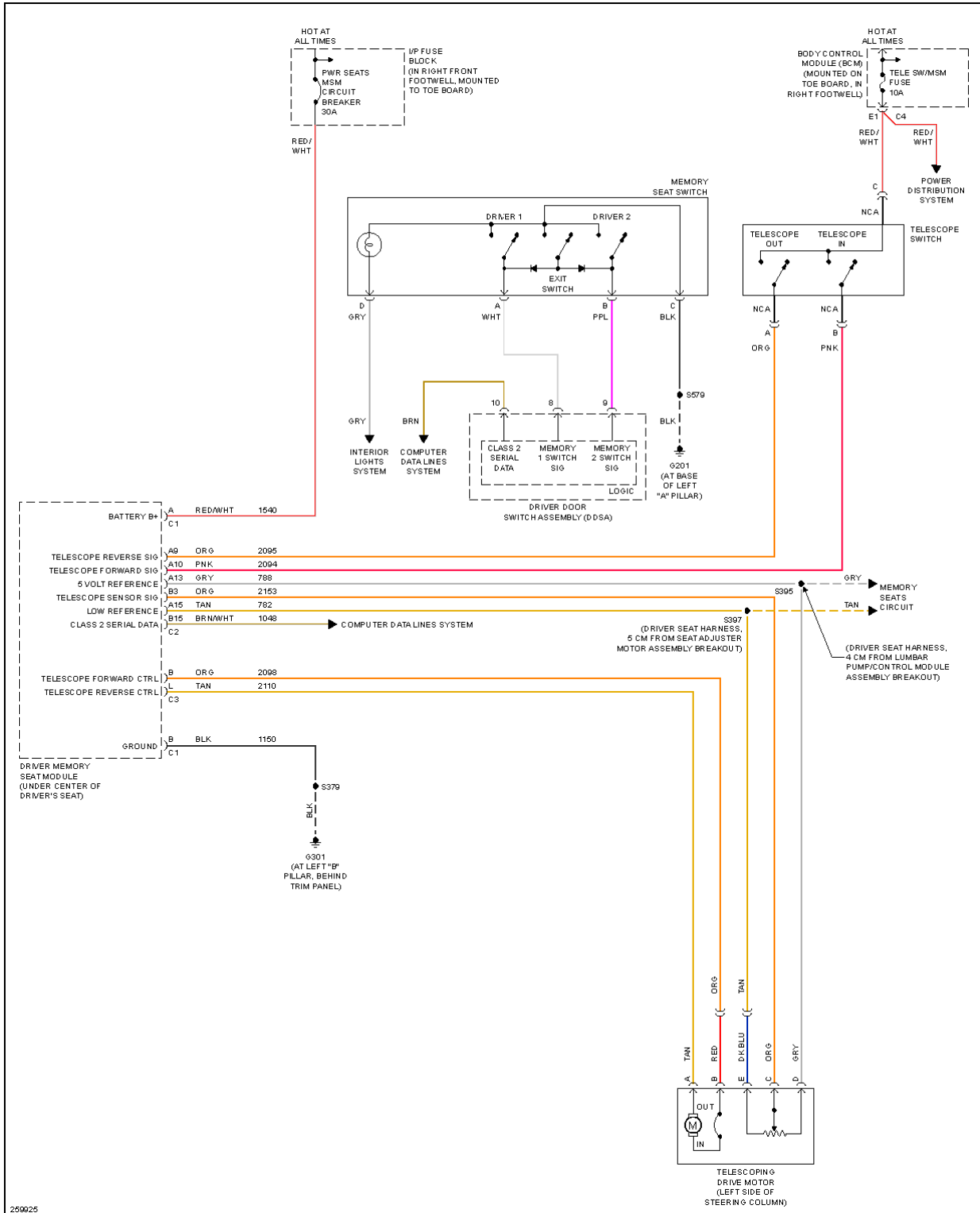


Fig. 46: Steering Column Memory Circuit

NAVIGATION

2007 Chevrolet Corvette

2007 SYSTEM WIRING DIAGRAMS Chevrolet - Corvette

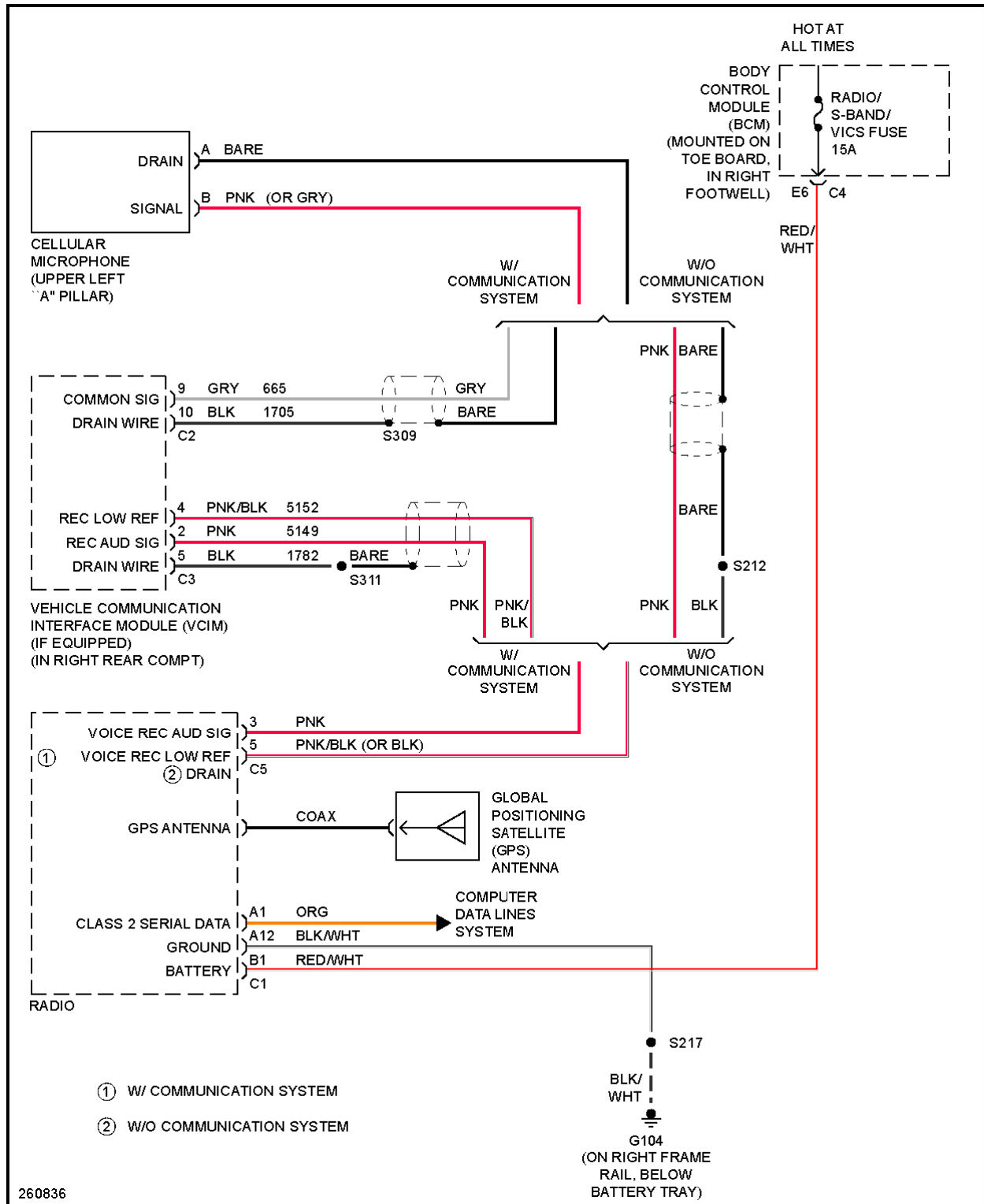


Fig. 47: Navigation Circuit

POWER DISTRIBUTION

2007 Chevrolet Corvette

2007 SYSTEM WIRING DIAGRAMS Chevrolet - Corvette

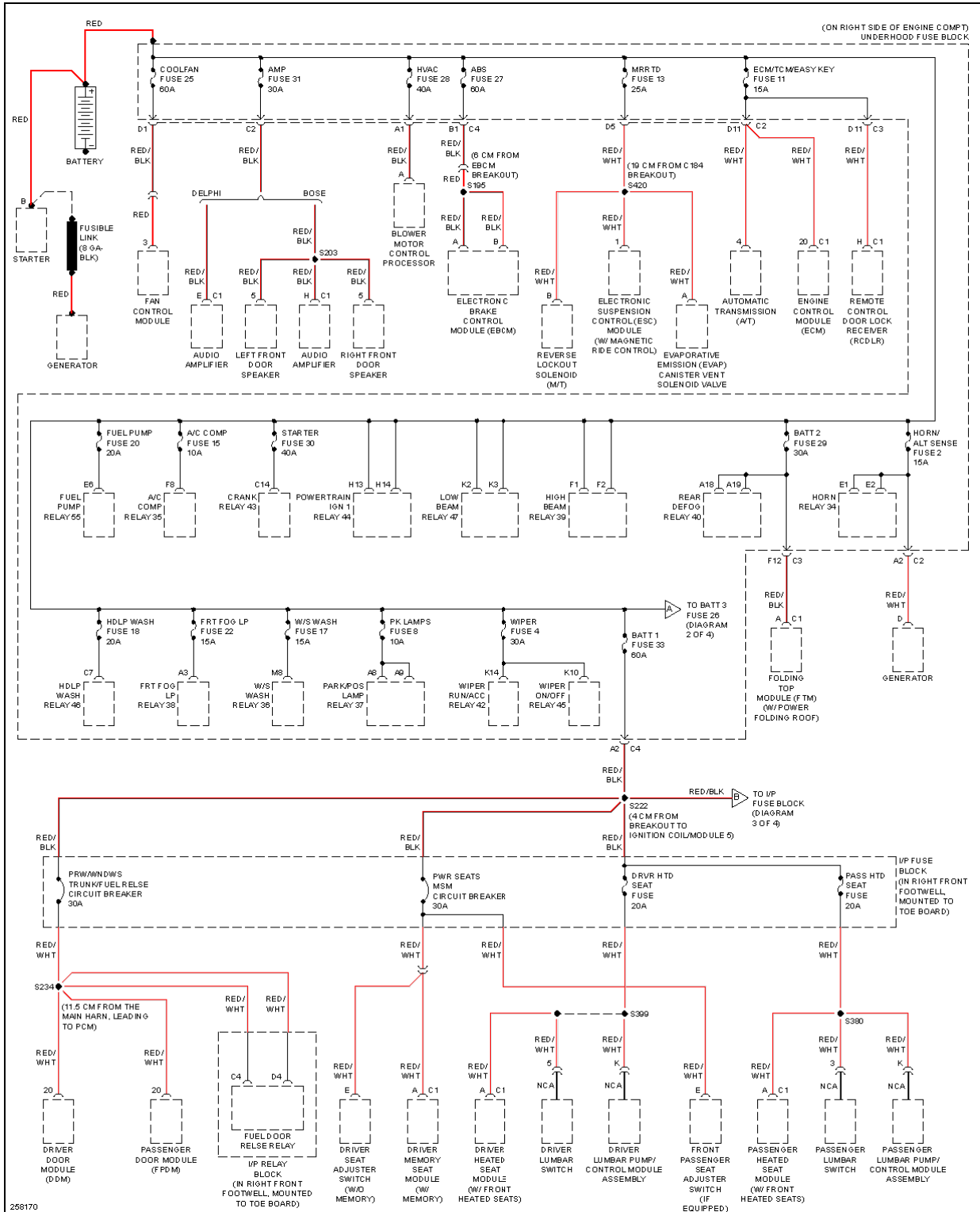


Fig. 48: Power Distribution Circuit (1 of 4)

2007 Chevrolet Corvette

2007 SYSTEM WIRING DIAGRAMS Chevrolet - Corvette

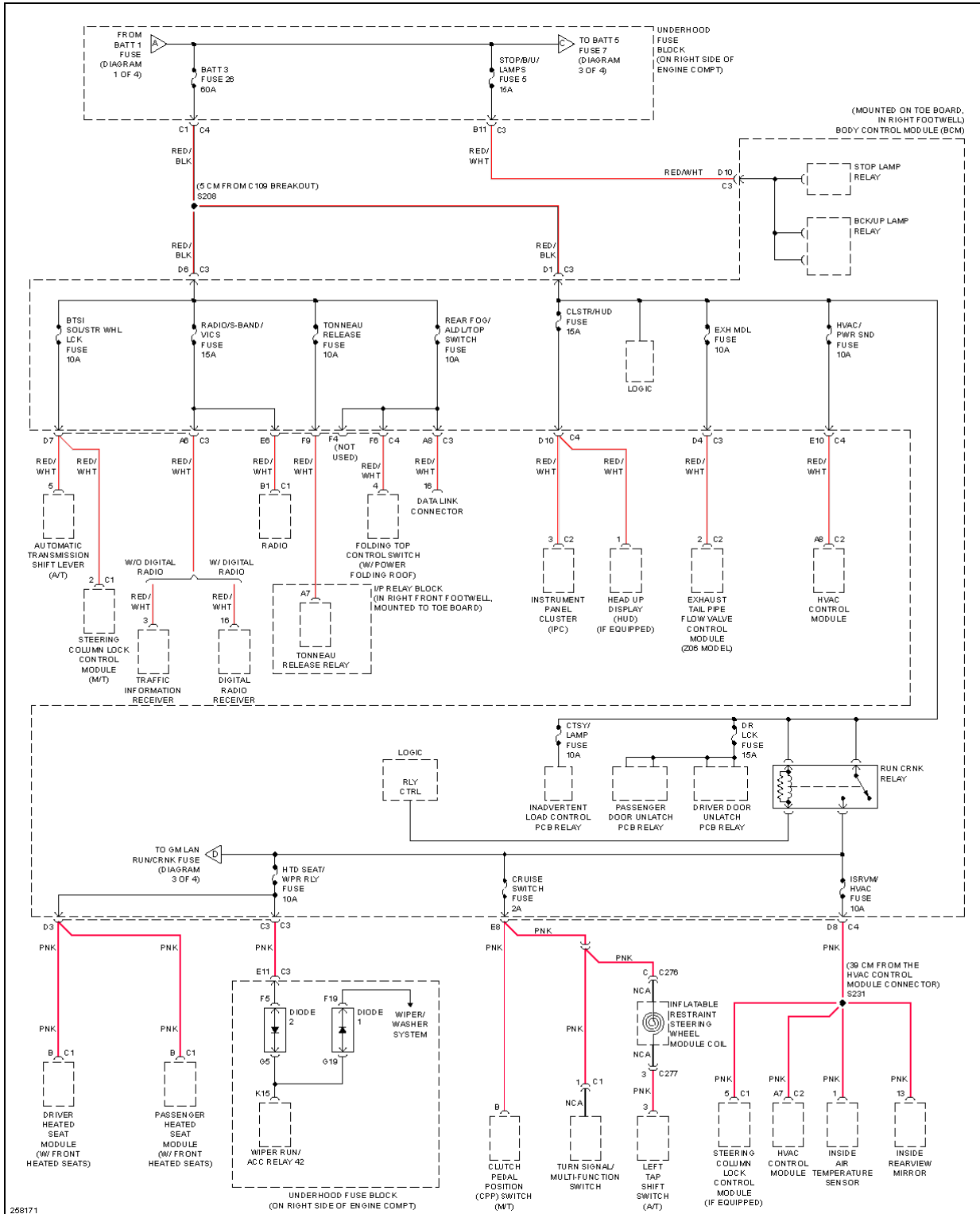


Fig. 49: Power Distribution Circuit (2 of 4)

Fig. 50: Power Distribution Circuit (3 of 4)

2007 Chevrolet Corvette

2007 SYSTEM WIRING DIAGRAMS Chevrolet - Corvette

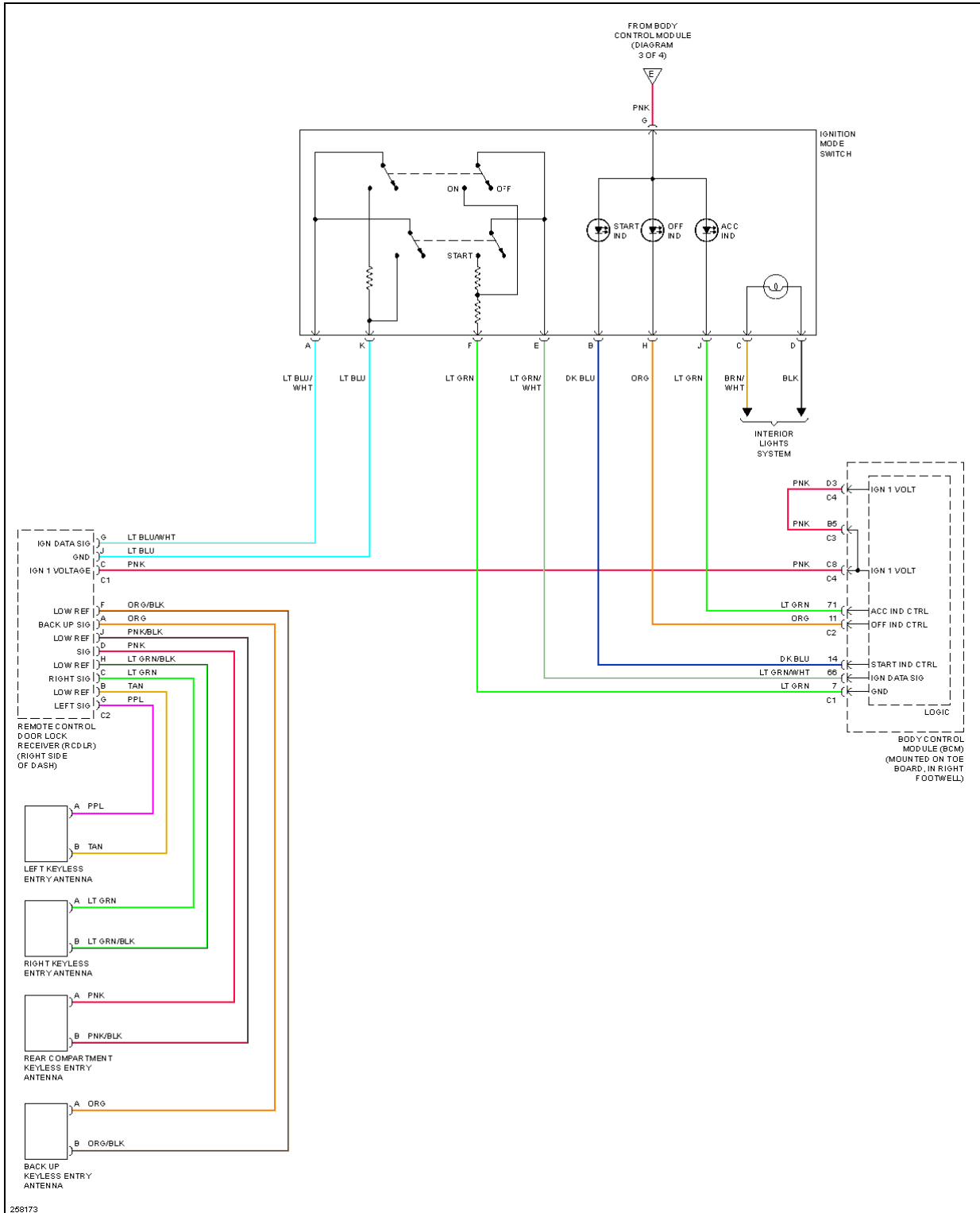


Fig. 51: Power Distribution Circuit (4 of 4)

POWER DOOR LOCKS

2007 Chevrolet Corvette

2007 SYSTEM WIRING DIAGRAMS Chevrolet - Corvette

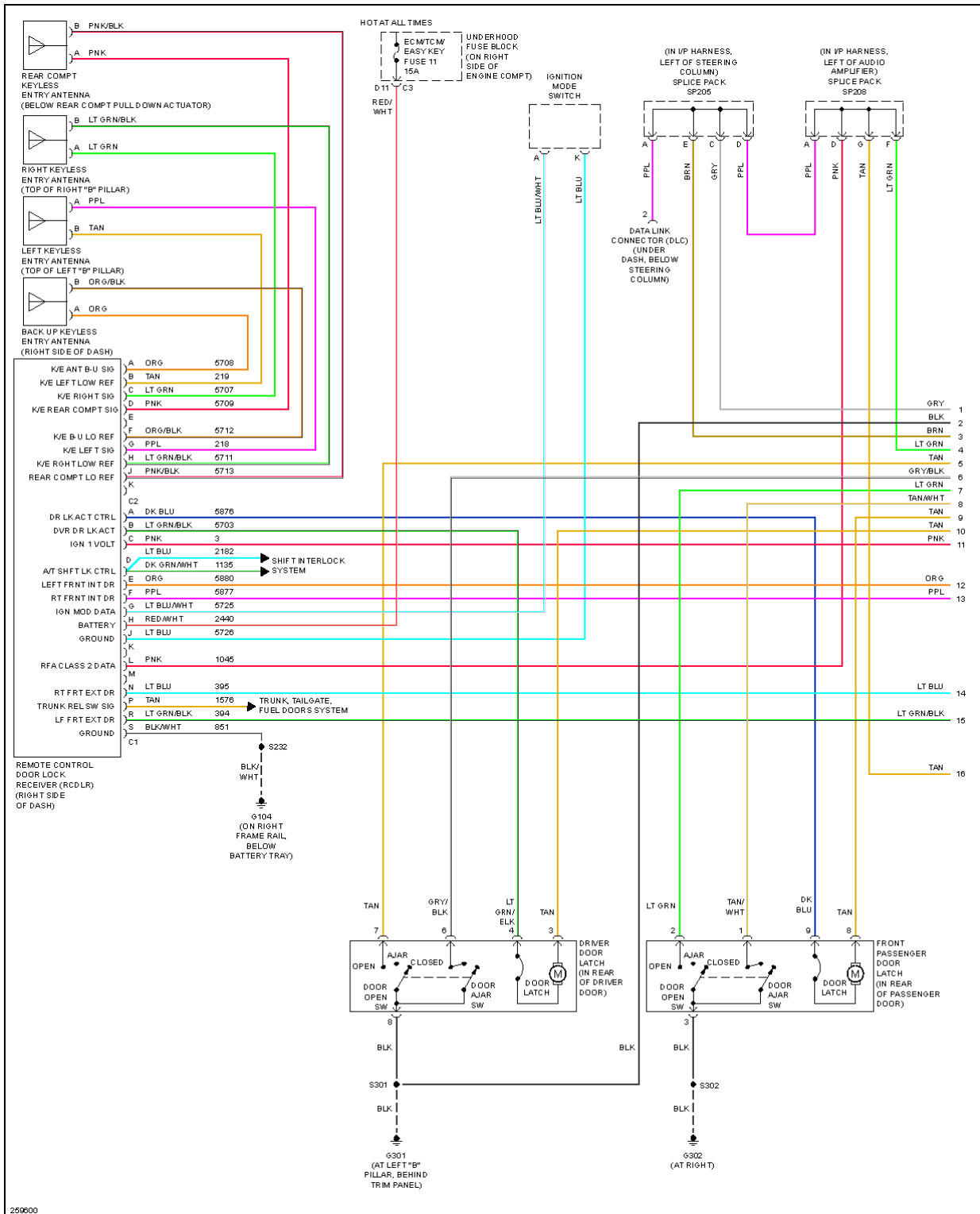


Fig. 52: Power Door Locks Circuit (1 of 2)

2007 Chevrolet Corvette

2007 SYSTEM WIRING DIAGRAMS Chevrolet - Corvette

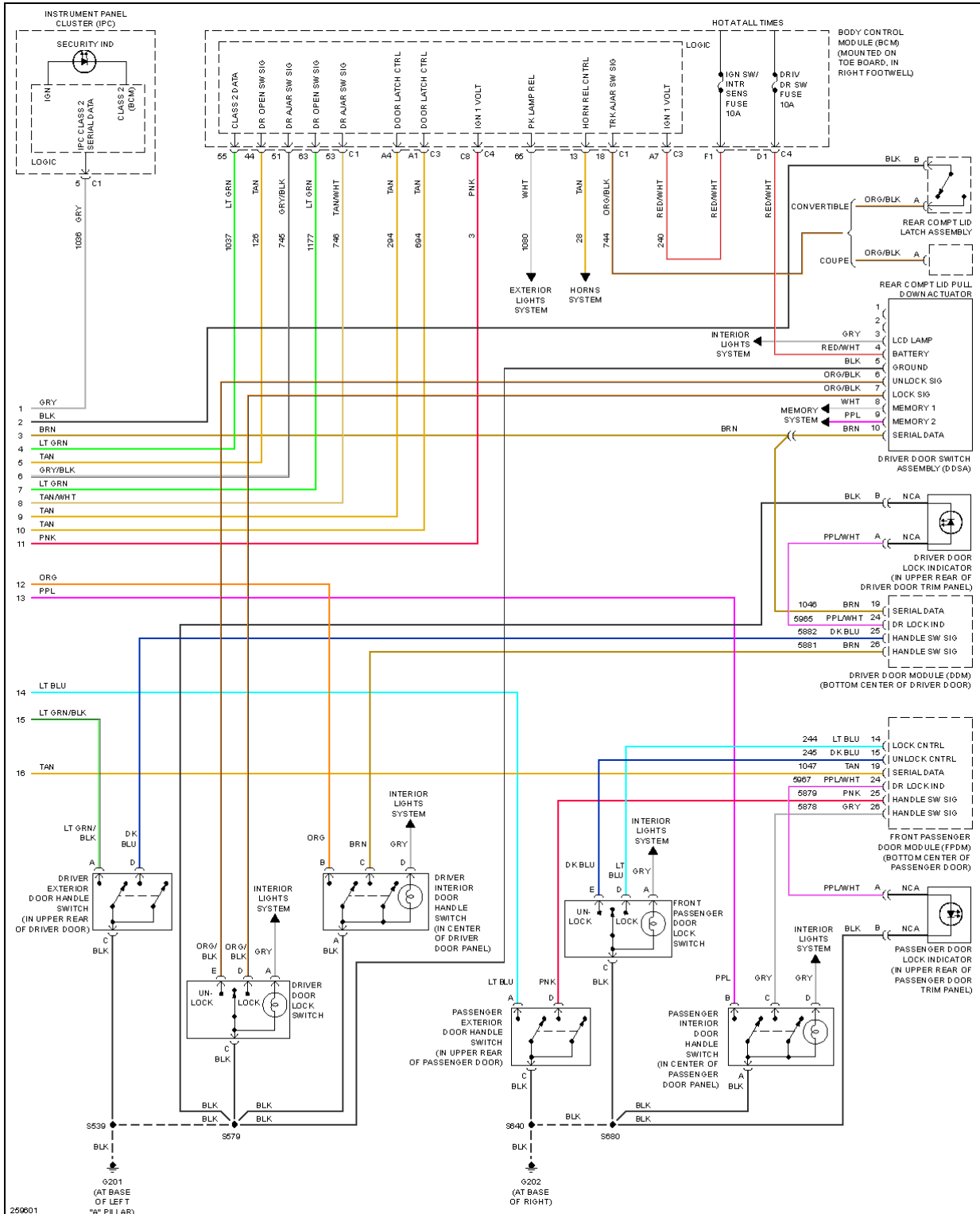


Fig. 53: Power Door Locks Circuit (2 of 2)

POWER MIRRORS

2007 Chevrolet Corvette

2007 SYSTEM WIRING DIAGRAMS Chevrolet - Corvette

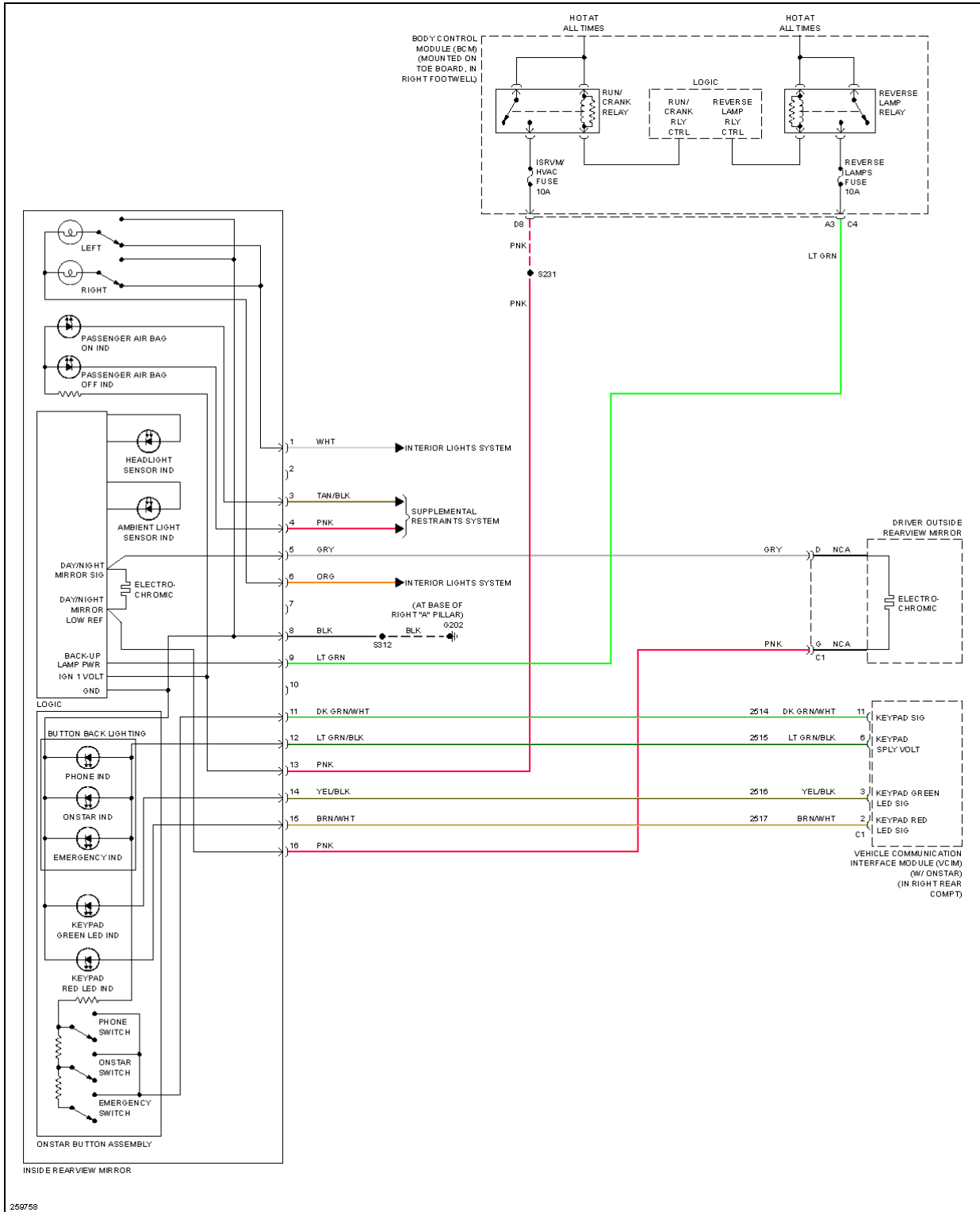


Fig. 54: Automatic Day/Night Mirror Circuit

2007 Chevrolet Corvette

2007 SYSTEM WIRING DIAGRAMS Chevrolet - Corvette

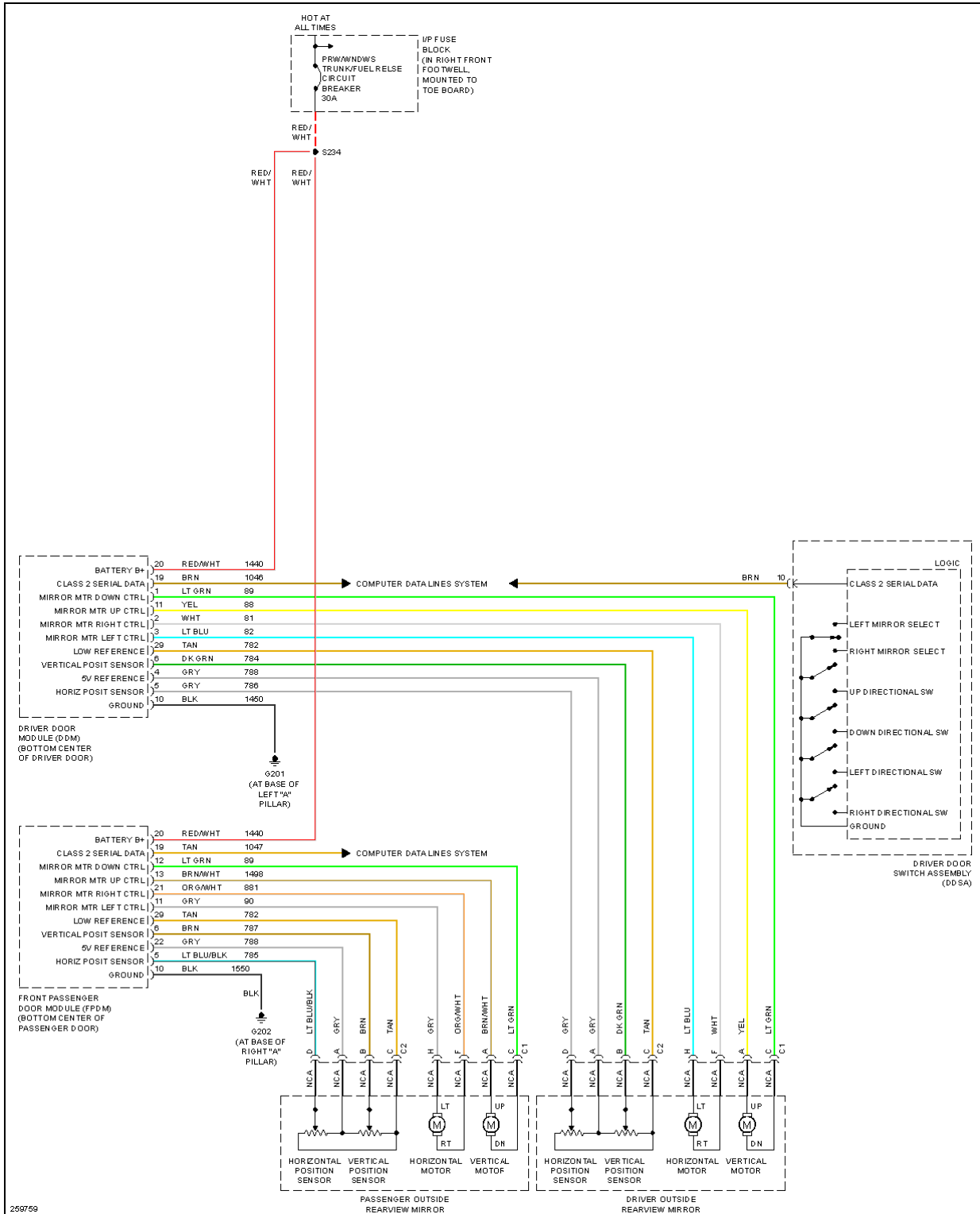


Fig. 55: Power Mirror Circuit

POWER SEATS

2007 Chevrolet Corvette

2007 SYSTEM WIRING DIAGRAMS Chevrolet - Corvette

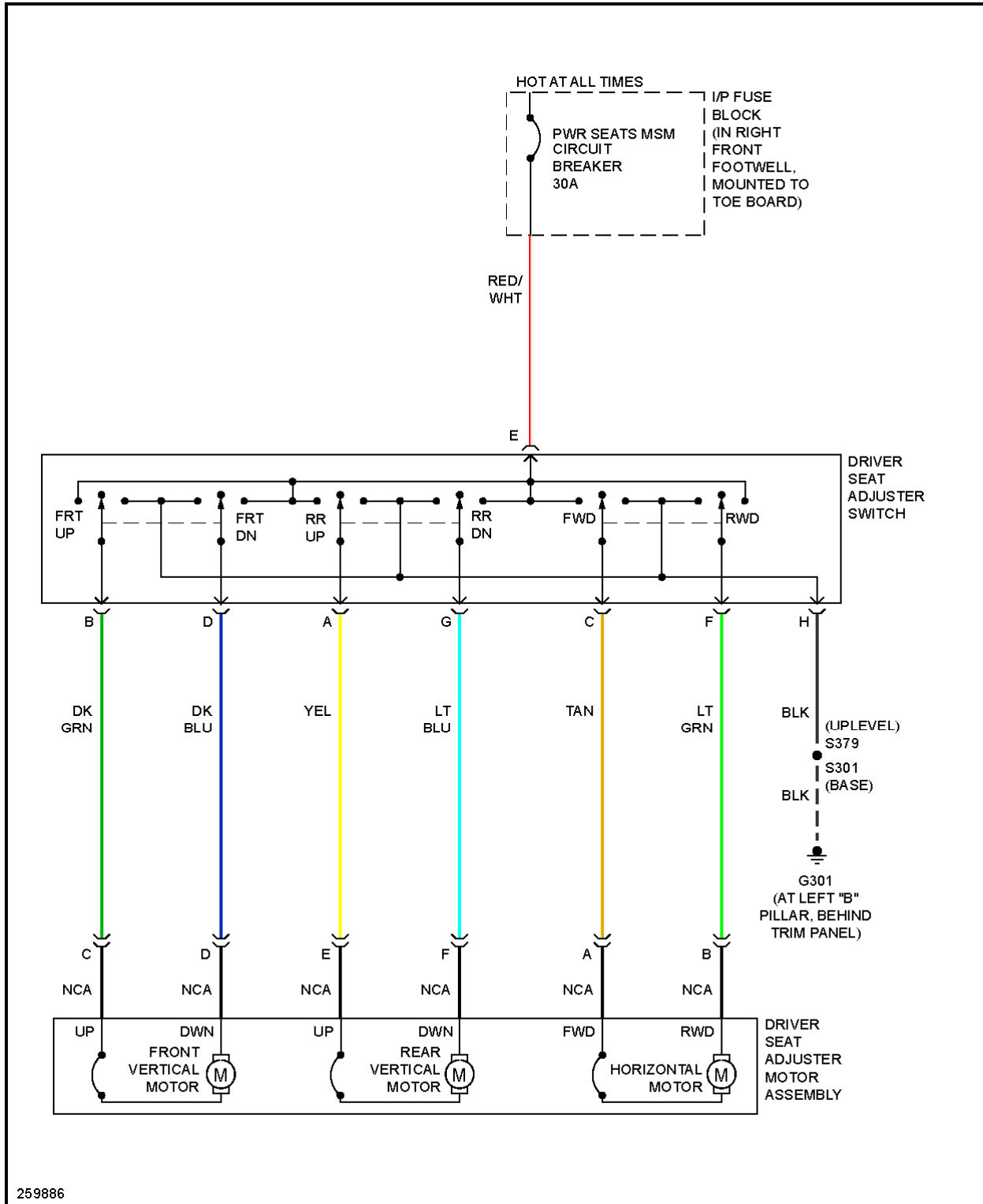


Fig. 56: Driver Seat Circuit

2007 Chevrolet Corvette

2007 SYSTEM WIRING DIAGRAMS Chevrolet - Corvette

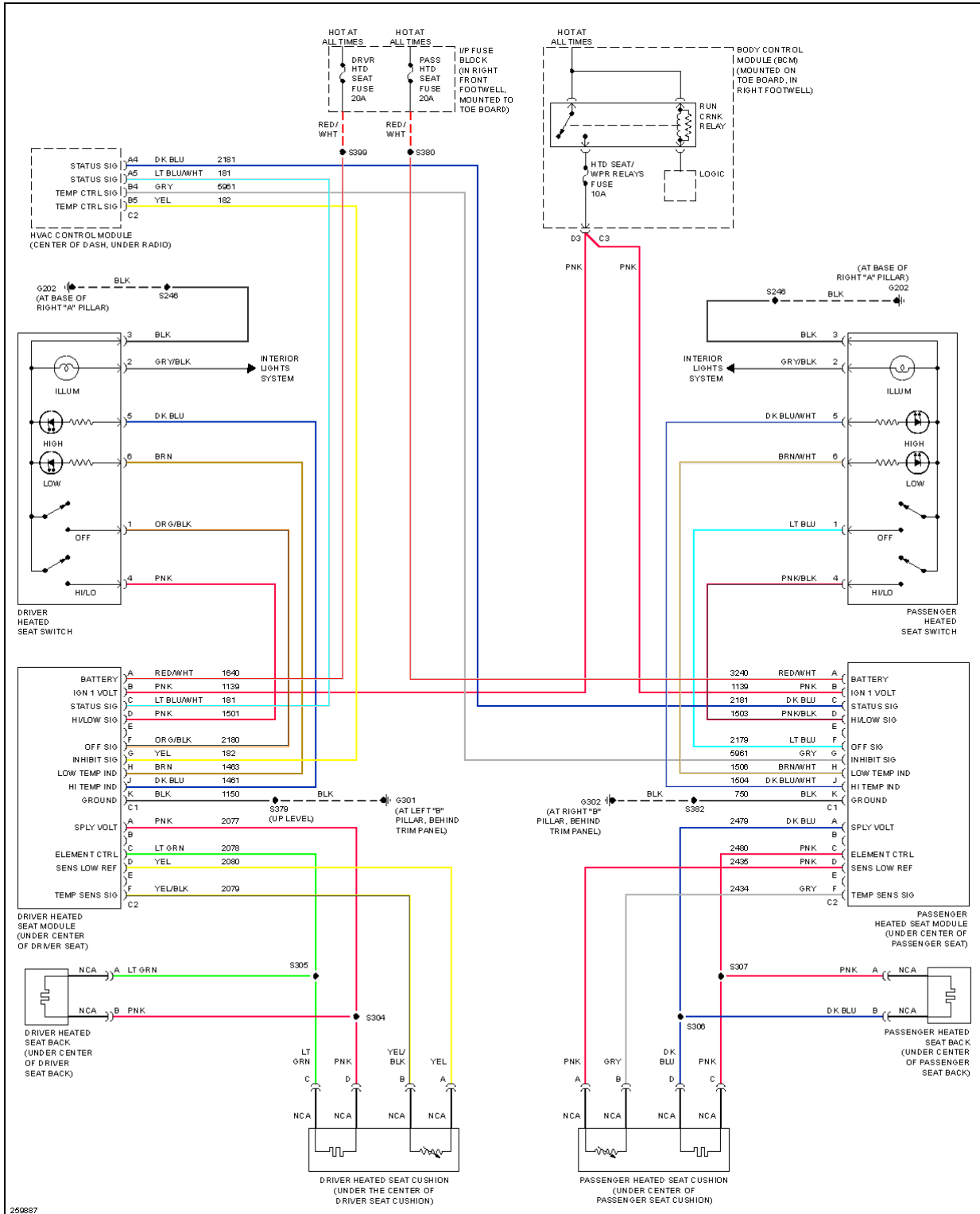


Fig. 57: Heated Seats Circuit

2007 Chevrolet Corvette

2007 SYSTEM WIRING DIAGRAMS Chevrolet - Corvette

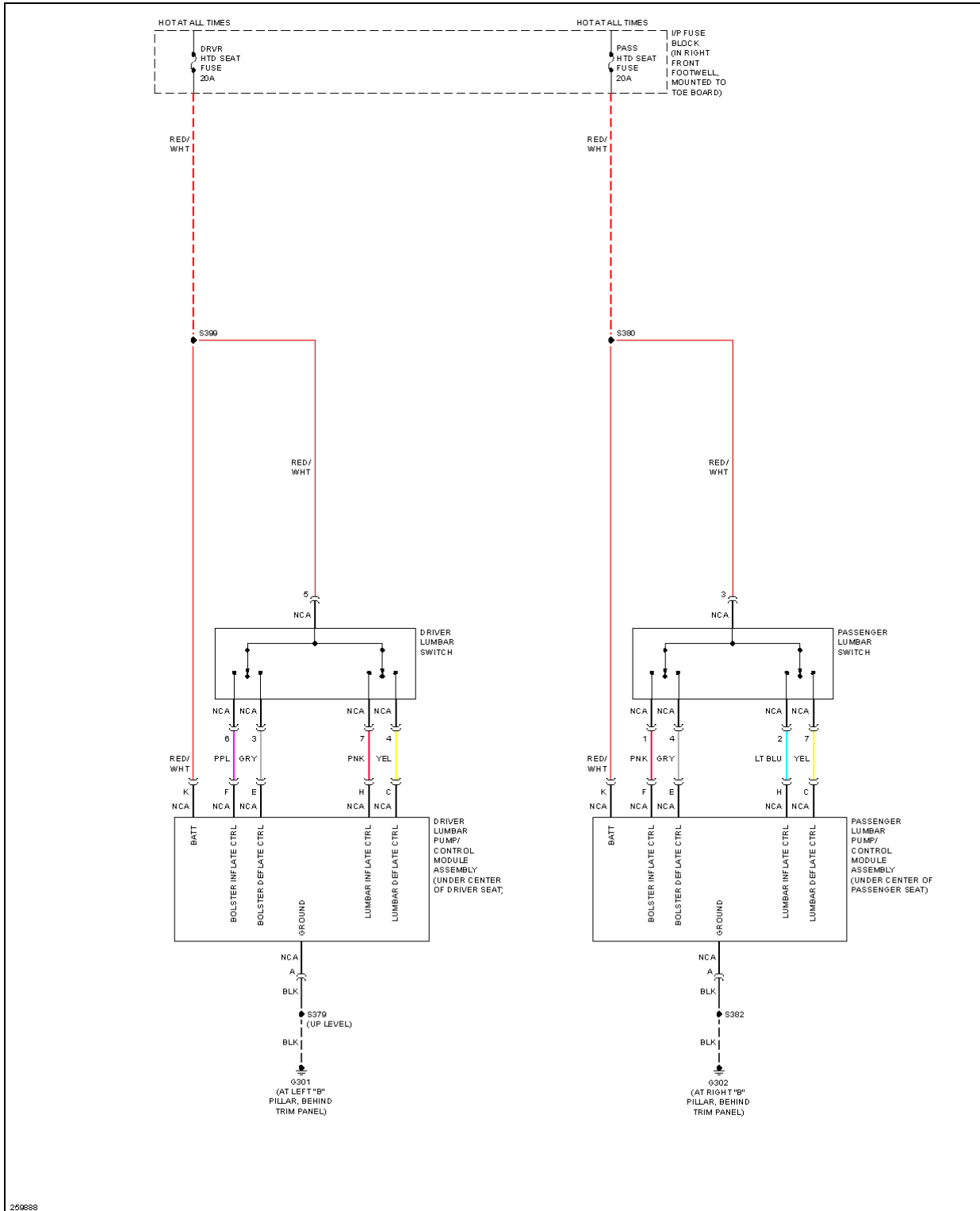


Fig. 58: Lumbar Circuit

2007 Chevrolet Corvette

2007 SYSTEM WIRING DIAGRAMS Chevrolet - Corvette

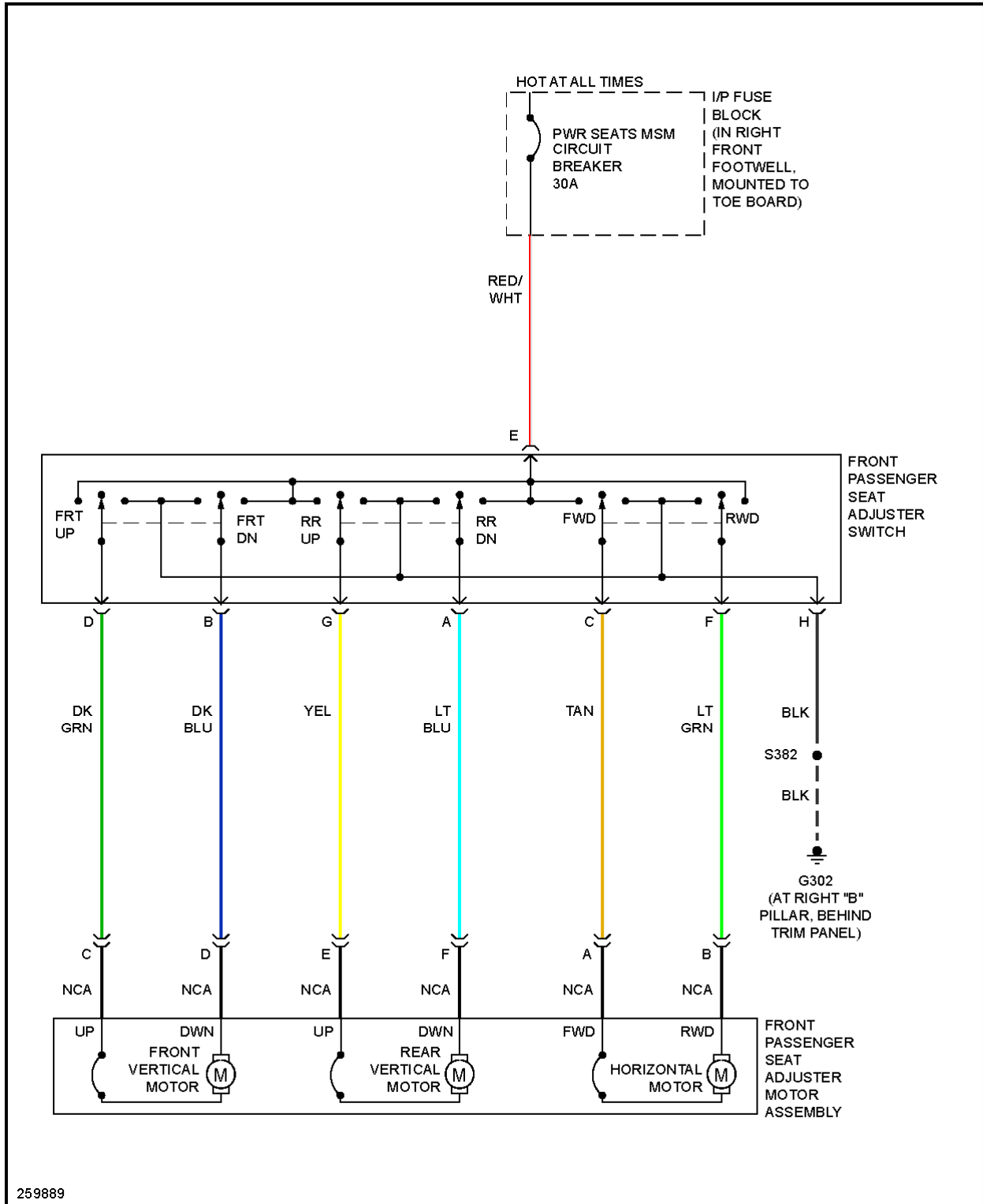
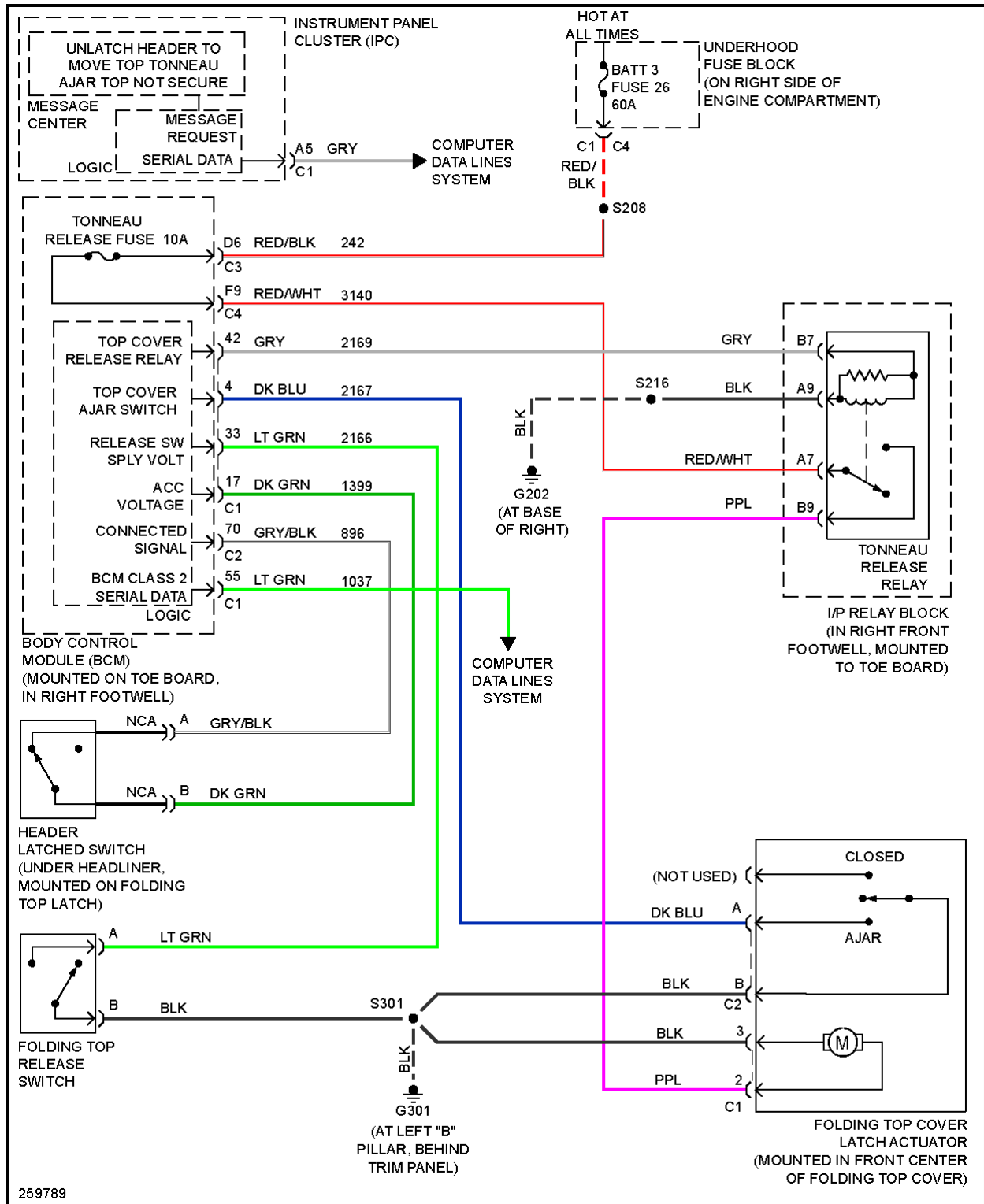


Fig. 59: Passenger Seat Circuit

POWER TOP/SUNROOF

2007 Chevrolet Corvette

2007 SYSTEM WIRING DIAGRAMS Chevrolet - Corvette



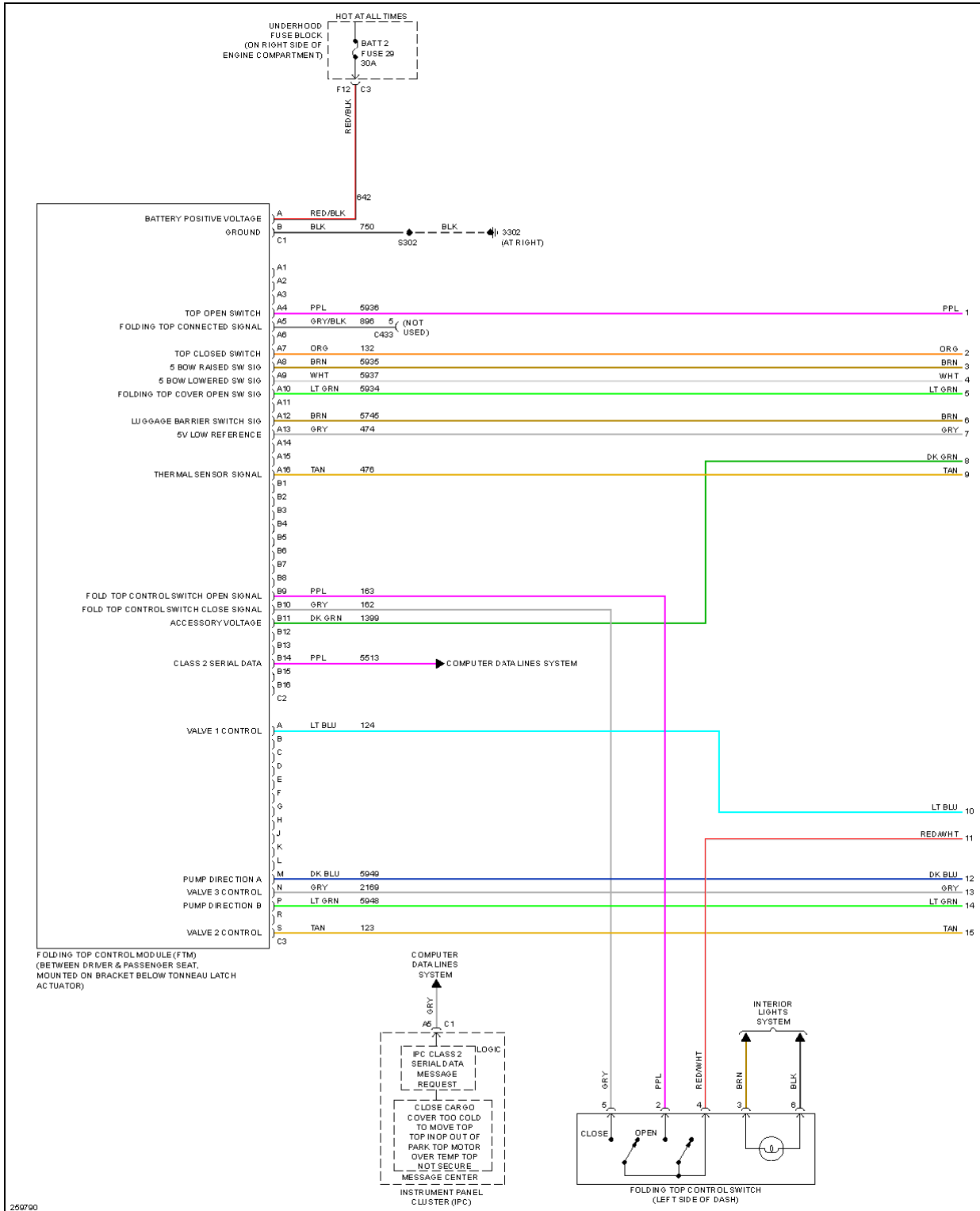
2007 Chevrolet Corvette

2007 SYSTEM WIRING DIAGRAMS Chevrolet - Corvette

Fig. 60: Convertible Top Circuit, W/ Manual Top

2007 Chevrolet Corvette

2007 SYSTEM WIRING DIAGRAMS Chevrolet - Corvette



2007 Chevrolet Corvette

2007 SYSTEM WIRING DIAGRAMS Chevrolet - Corvette

Fig. 61: Convertible Top Circuit, W/ Power Top (1 of 2)

2007 Chevrolet Corvette

2007 SYSTEM WIRING DIAGRAMS Chevrolet - Corvette

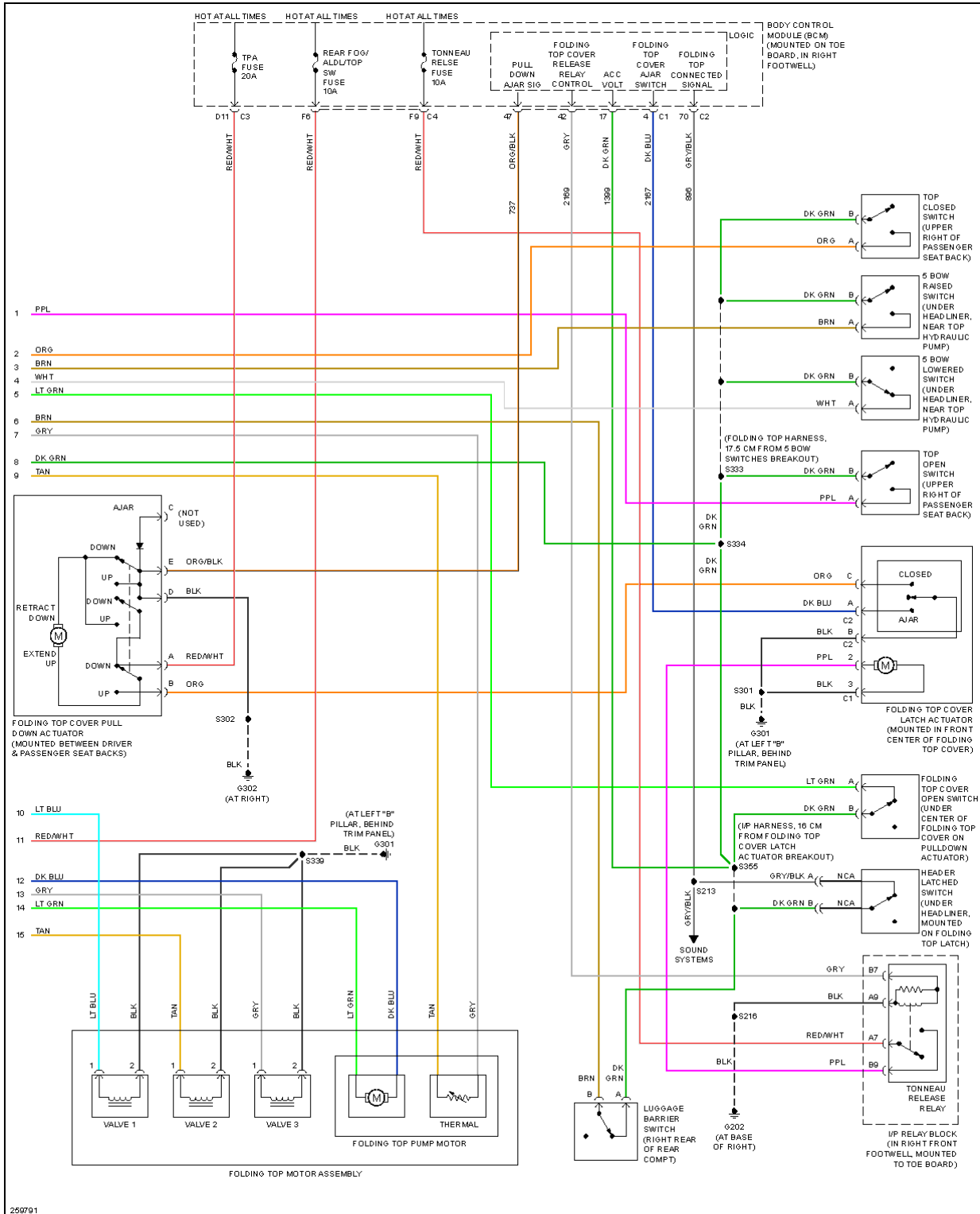


Fig. 62: Convertible Top Circuit, W/ Power Top (2 of 2)

POWER WINDOWS

2007 Chevrolet Corvette

2007 SYSTEM WIRING DIAGRAMS Chevrolet - Corvette

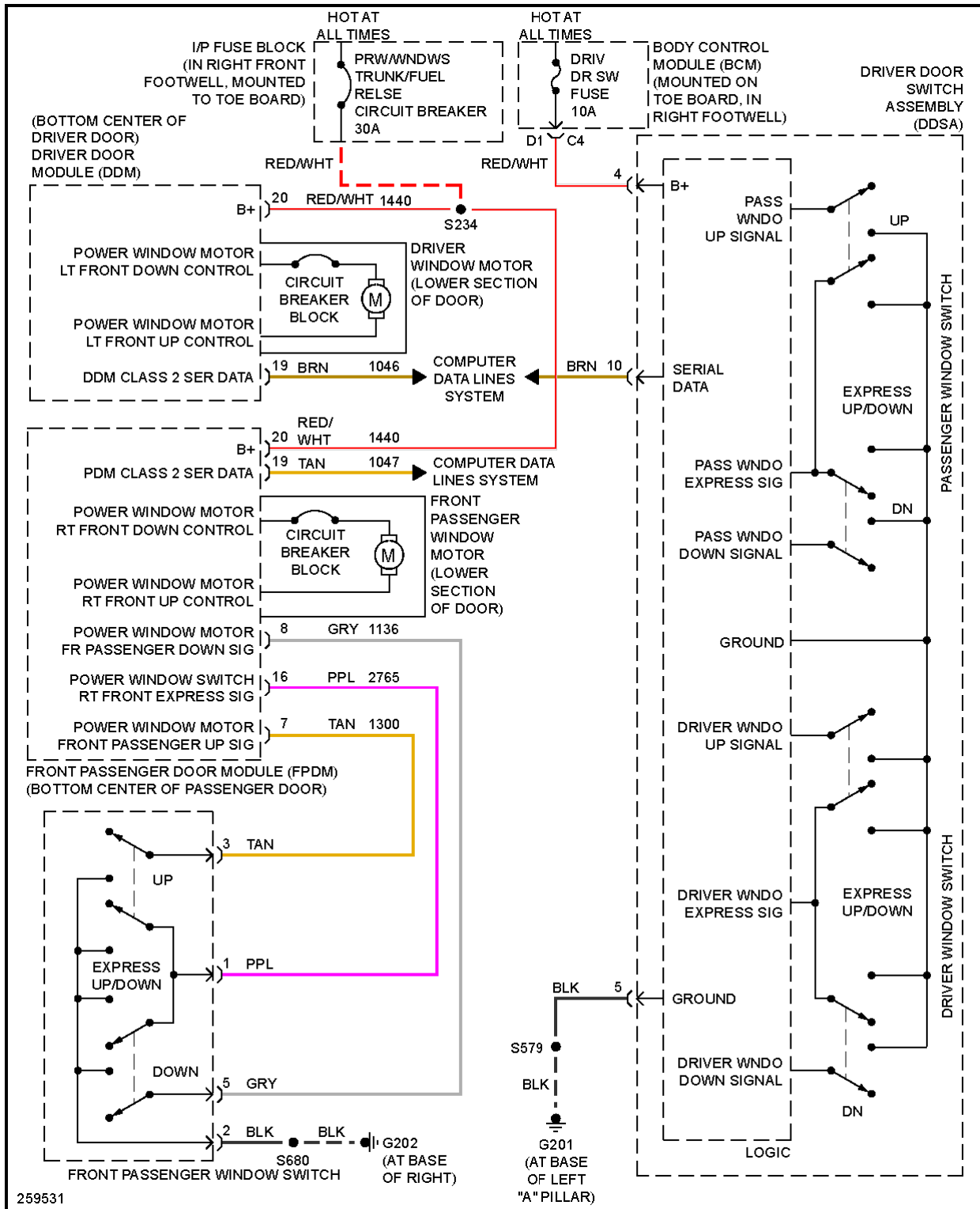


Fig. 63: Power Windows Circuit

RADIO

2007 Chevrolet Corvette

2007 SYSTEM WIRING DIAGRAMS Chevrolet - Corvette

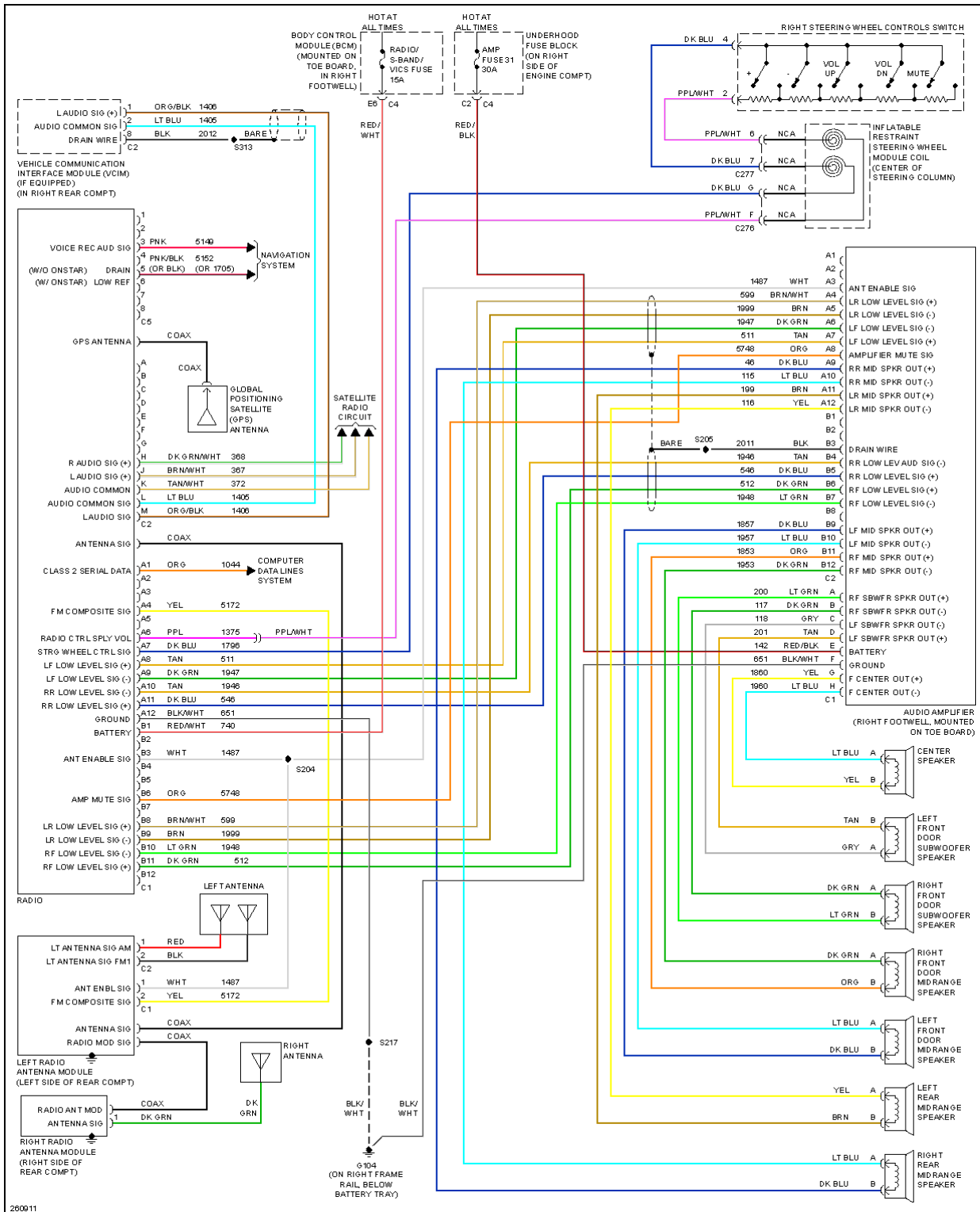


Fig. 64: Base Radio Circuit

2007 Chevrolet Corvette

2007 SYSTEM WIRING DIAGRAMS Chevrolet - Corvette

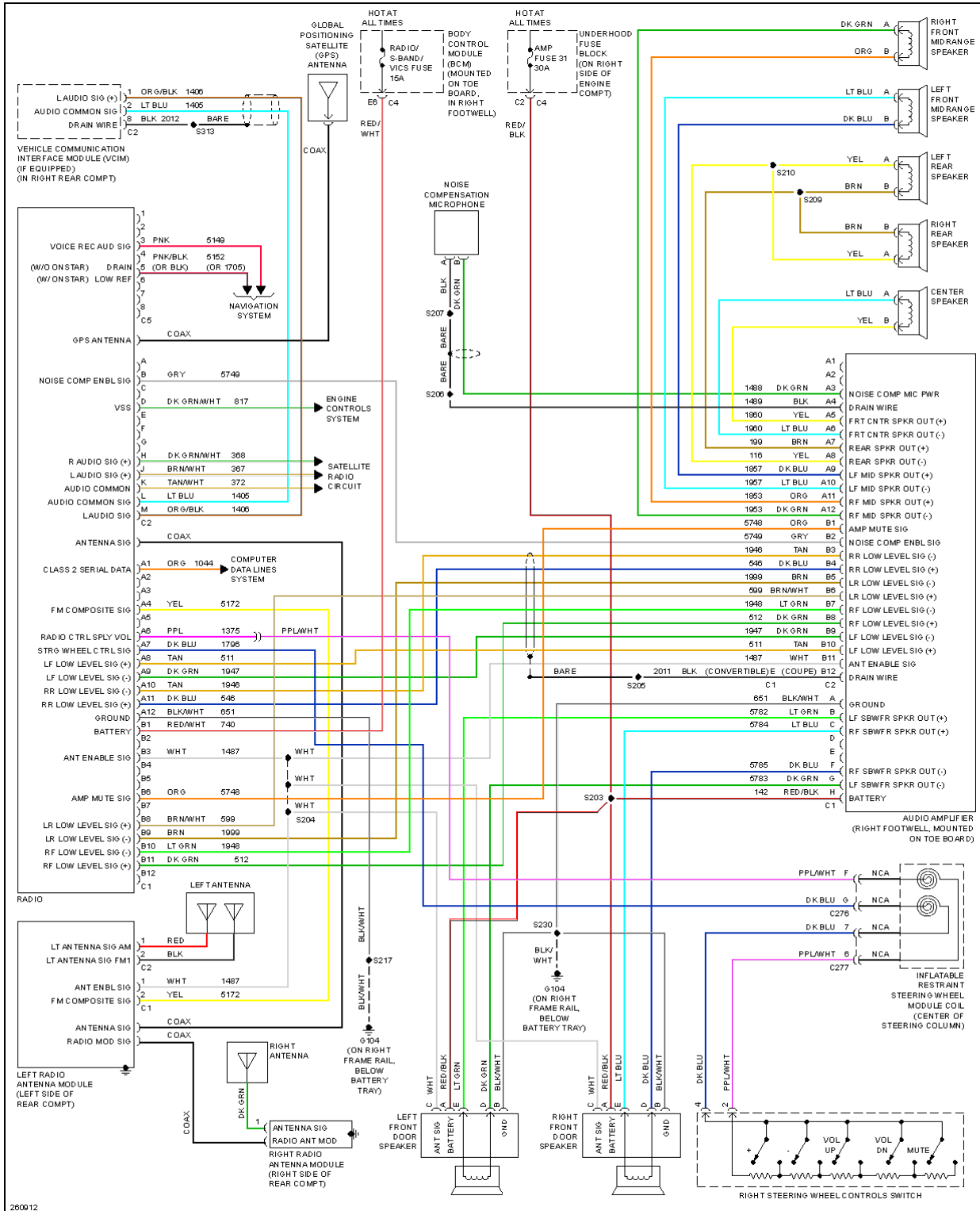


Fig. 65: Premium Sound Radio Circuit

2007 Chevrolet Corvette

2007 SYSTEM WIRING DIAGRAMS Chevrolet - Corvette

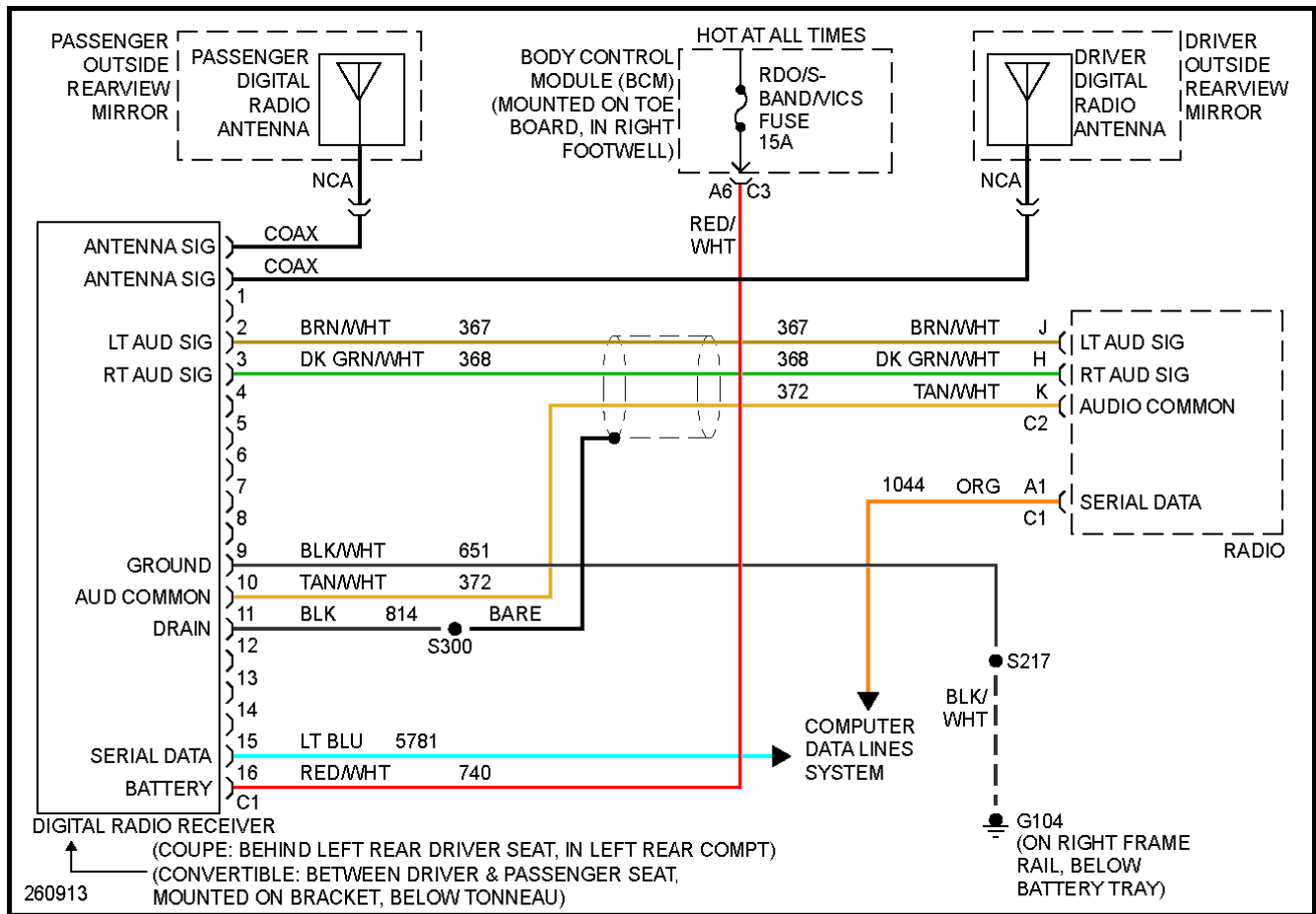


Fig. 66: Satellite Radio Circuit

SHIFT INTERLOCK

2007 Chevrolet Corvette

2007 SYSTEM WIRING DIAGRAMS Chevrolet - Corvette

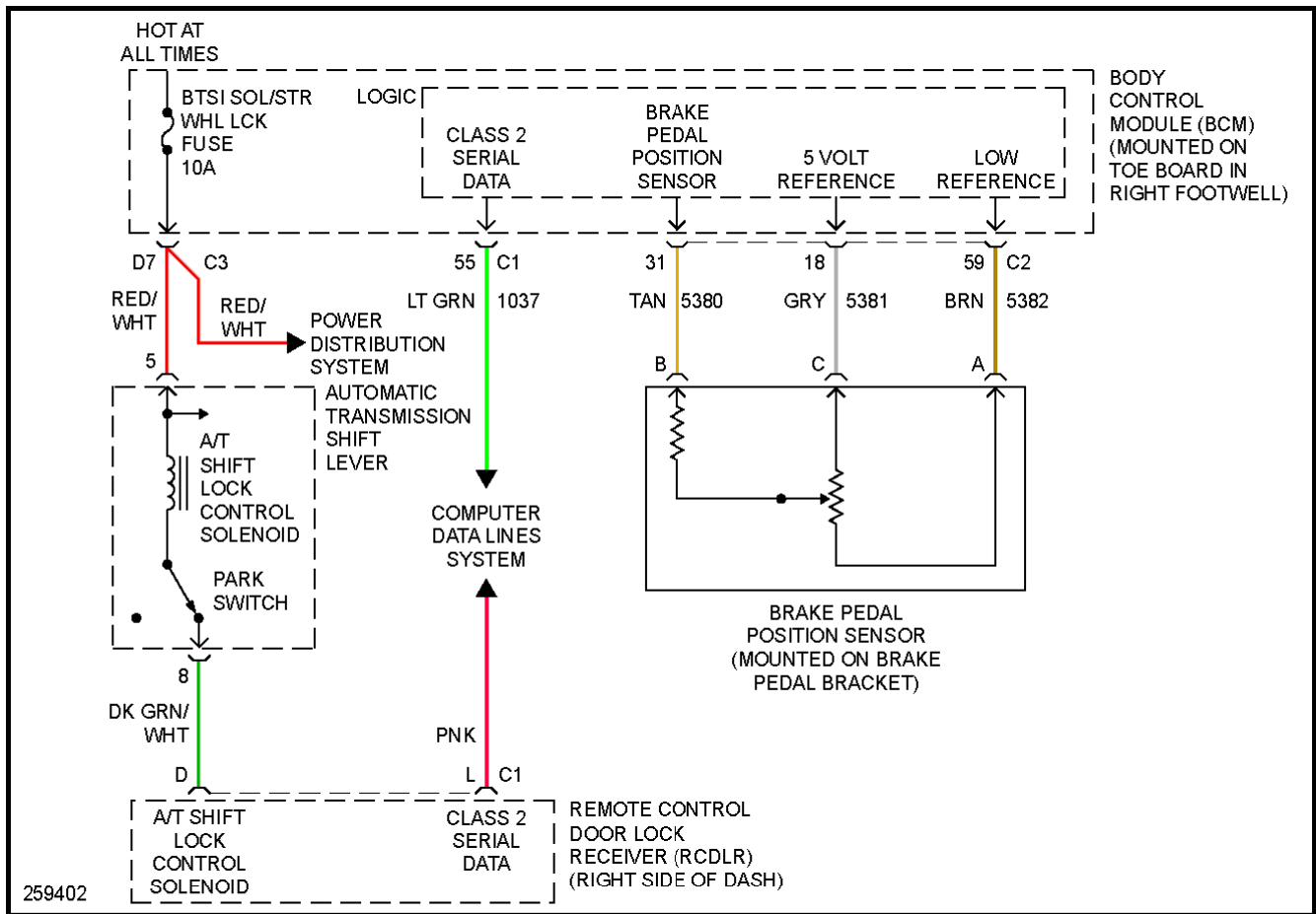


Fig. 67: Shift Interlock Circuit

STARTING/CHARGING

2007 Chevrolet Corvette

2007 SYSTEM WIRING DIAGRAMS Chevrolet - Corvette

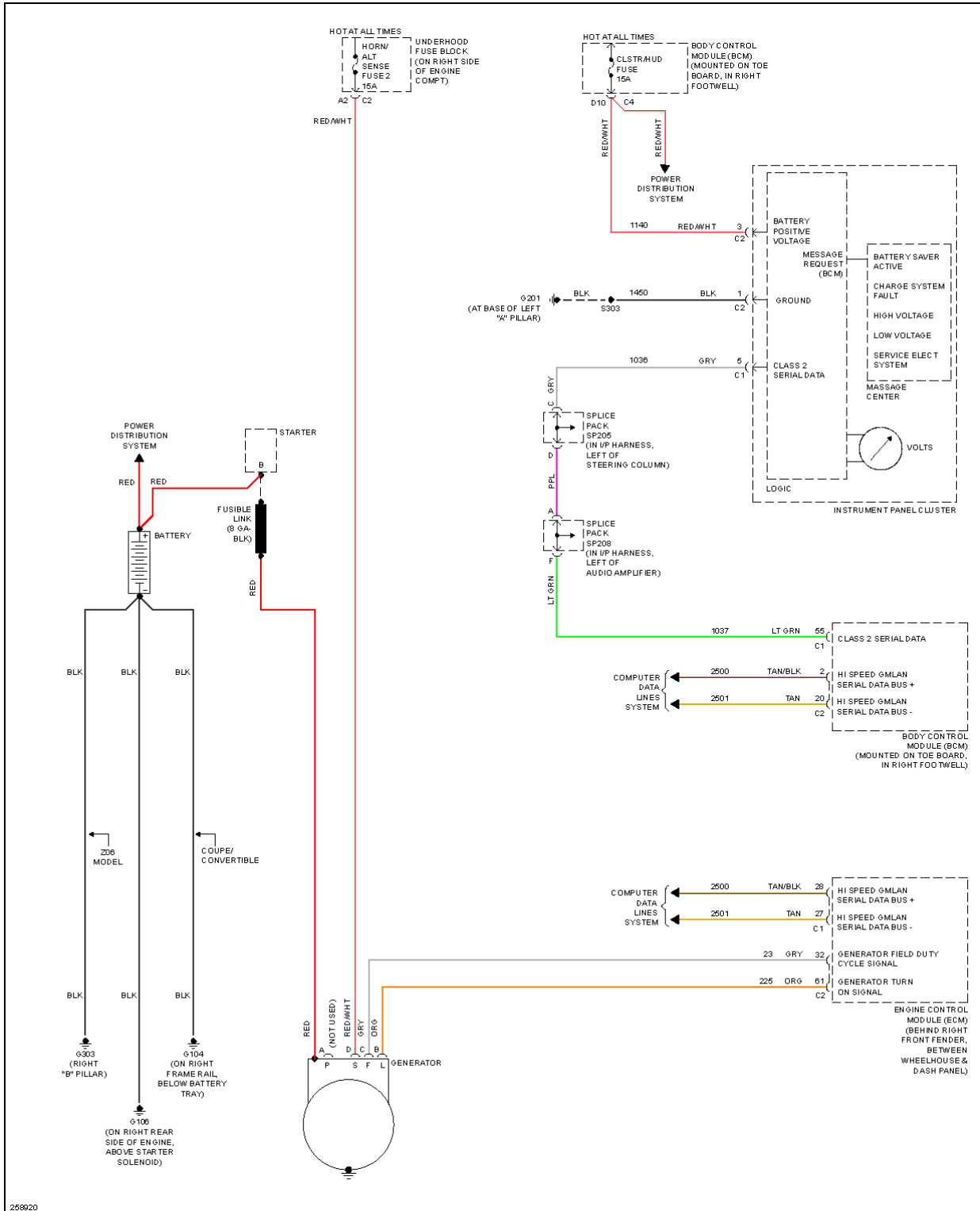


Fig. 68: Charging Circuit

Fig. 69: Starting Circuit

SUPPLEMENTAL RESTRAINTS

2007 Chevrolet Corvette

2007 SYSTEM WIRING DIAGRAMS Chevrolet - Corvette

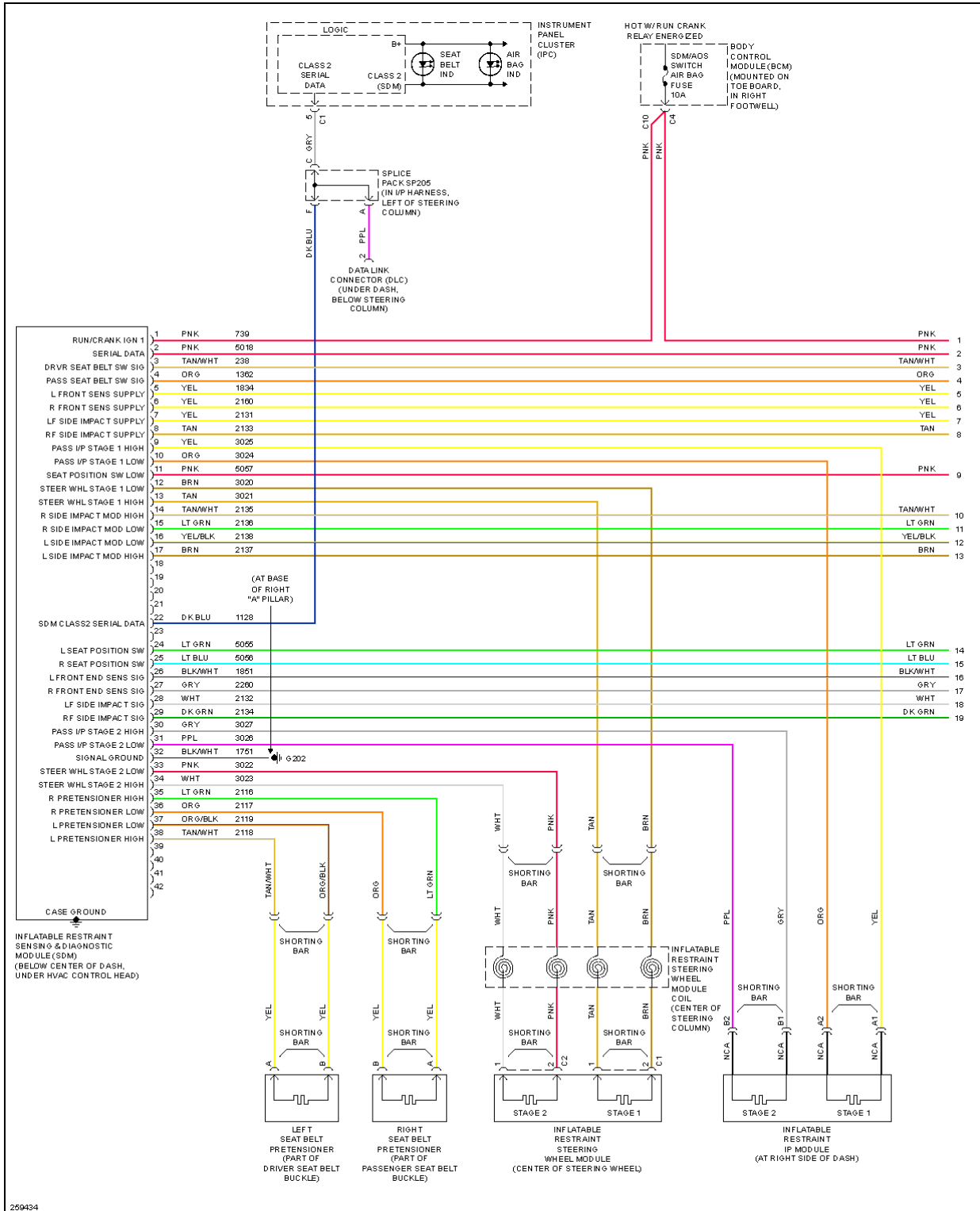


Fig. 70: Supplemental Restraints Circuit (1 of 2)

2007 Chevrolet Corvette

2007 SYSTEM WIRING DIAGRAMS Chevrolet - Corvette

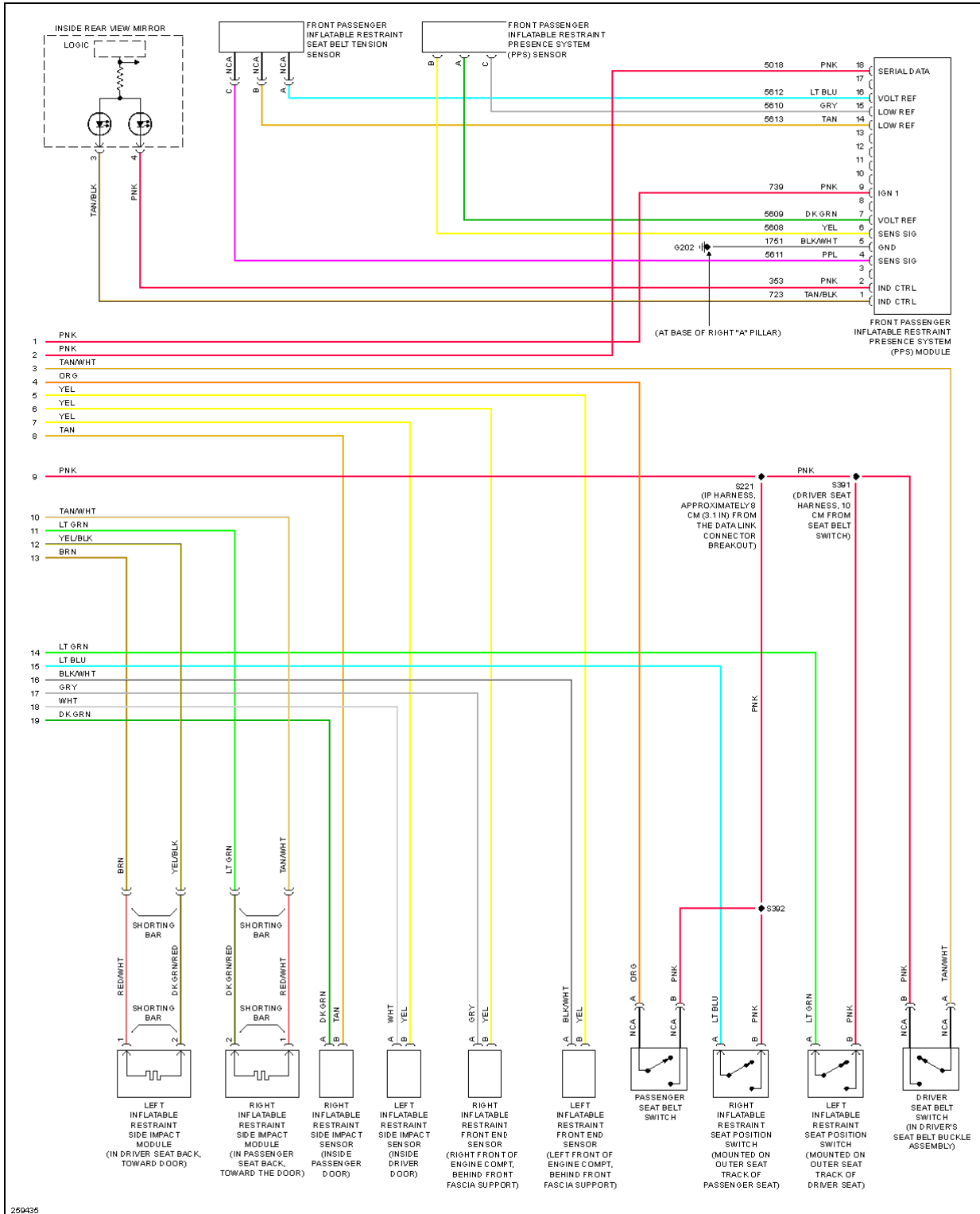
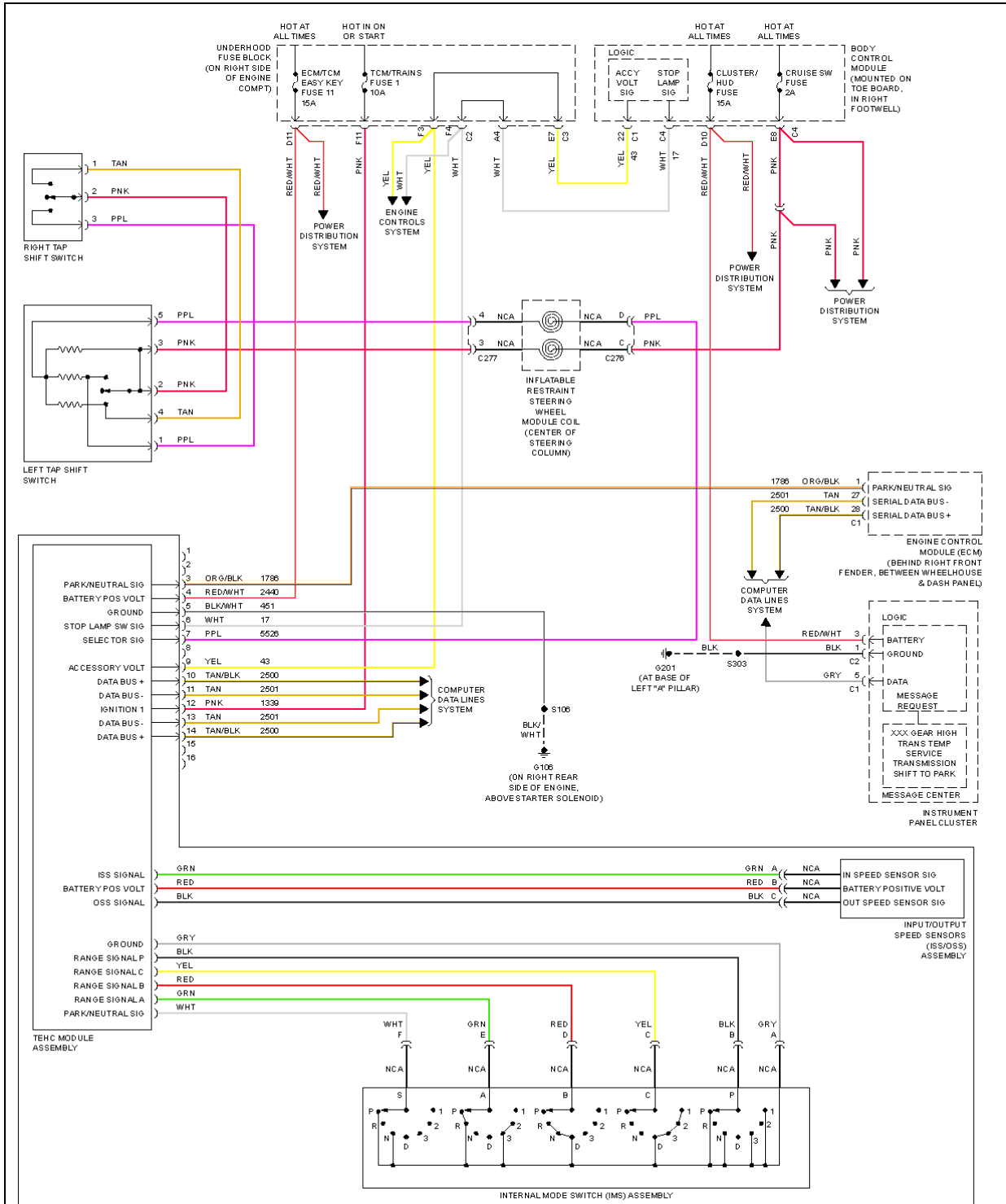


Fig. 71: Supplemental Restraints Circuit (2 of 2)

TRANSMISSION

2007 Chevrolet Corvette

2007 SYSTEM WIRING DIAGRAMS Chevrolet - Corvette



AUTOMATIC TRANSMISSION

Fig. 72: A/T Circuit

2007 Chevrolet Corvette

2007 SYSTEM WIRING DIAGRAMS Chevrolet - Corvette

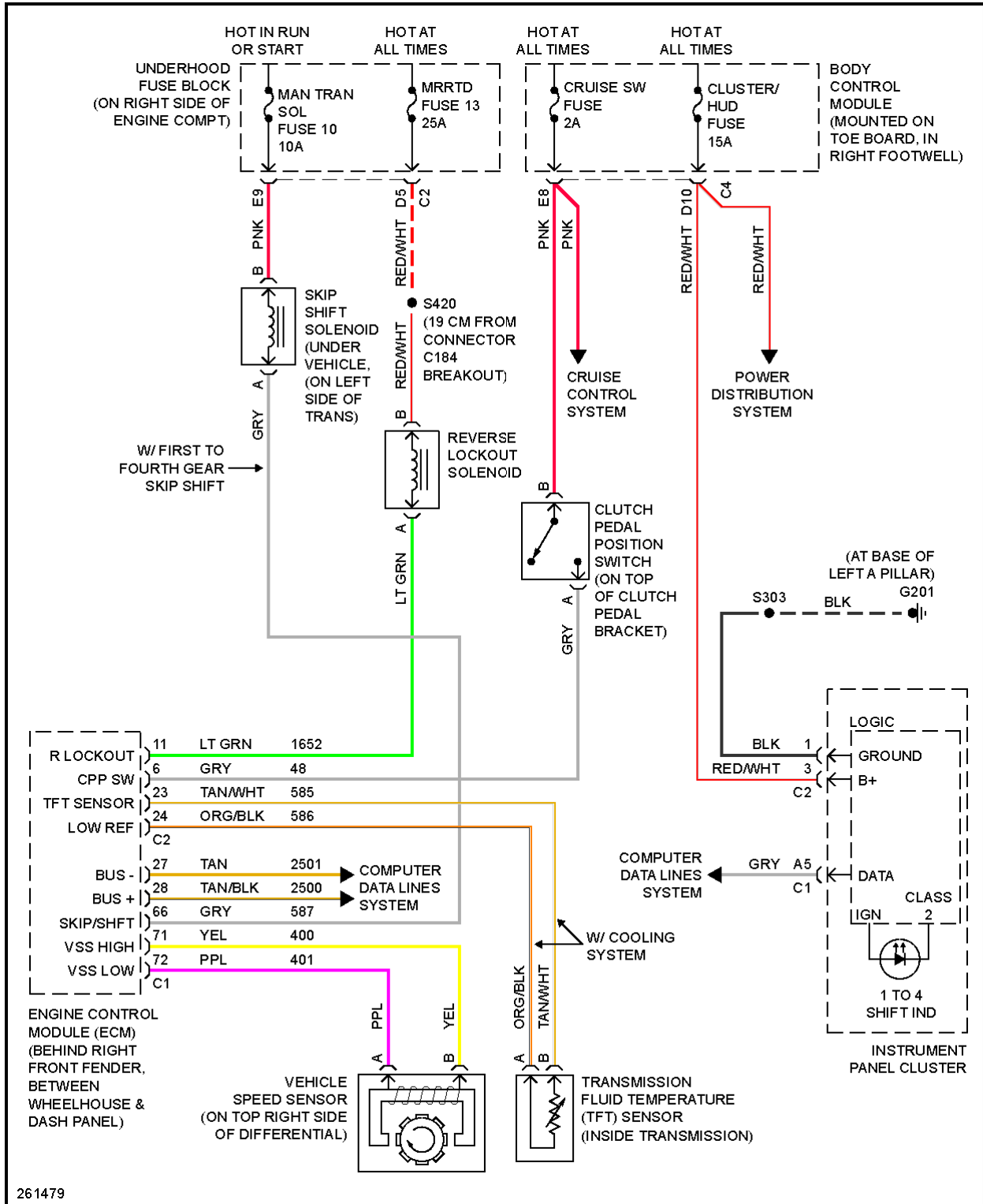


Fig. 73: M/T Circuit

TRUNK, TAILGATE, FUEL DOOR

2007 Chevrolet Corvette

2007 SYSTEM WIRING DIAGRAMS Chevrolet - Corvette

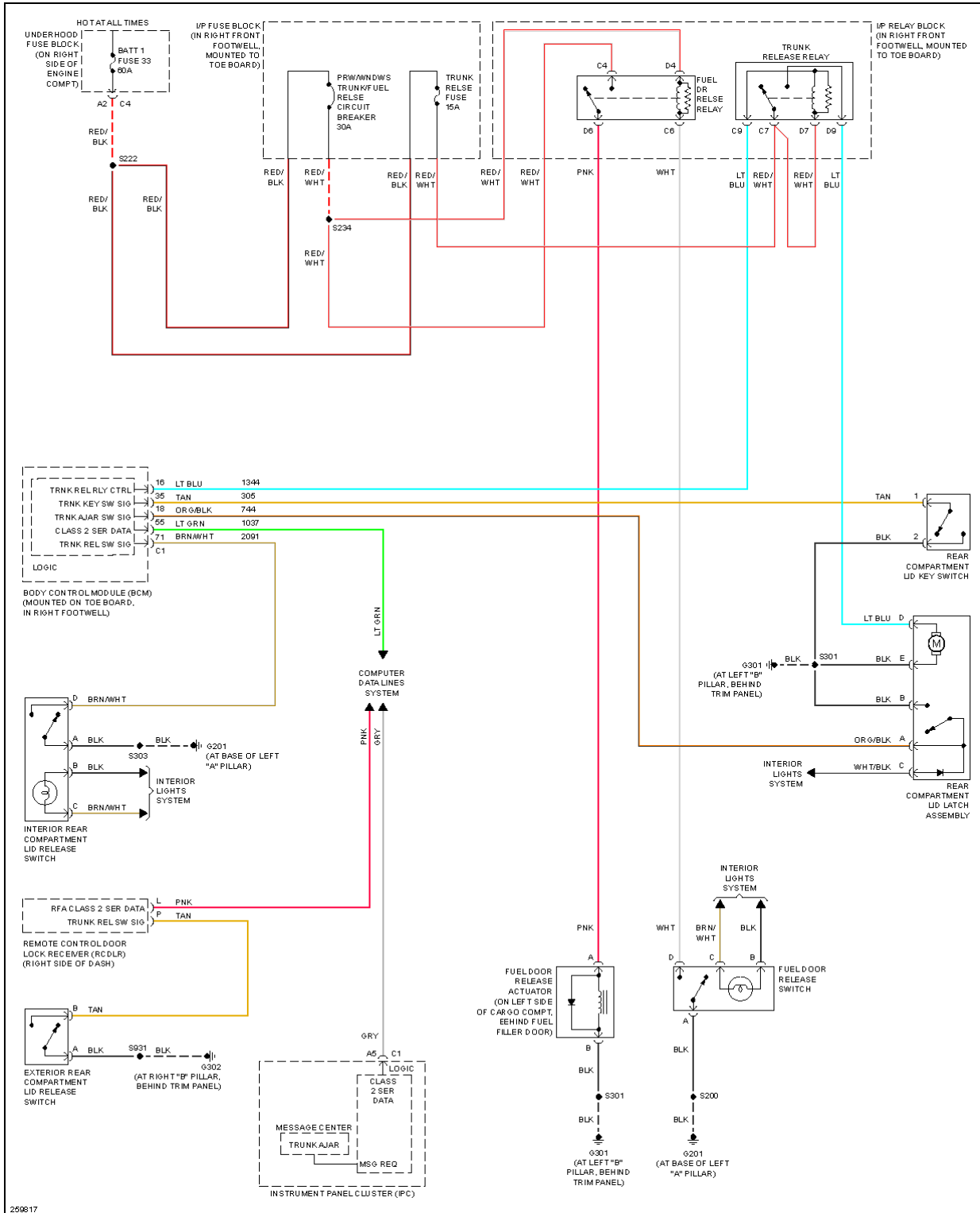


Fig. 74: Trunk & Fuel Door Release Circuit, Convertible

2007 Chevrolet Corvette

2007 SYSTEM WIRING DIAGRAMS Chevrolet - Corvette

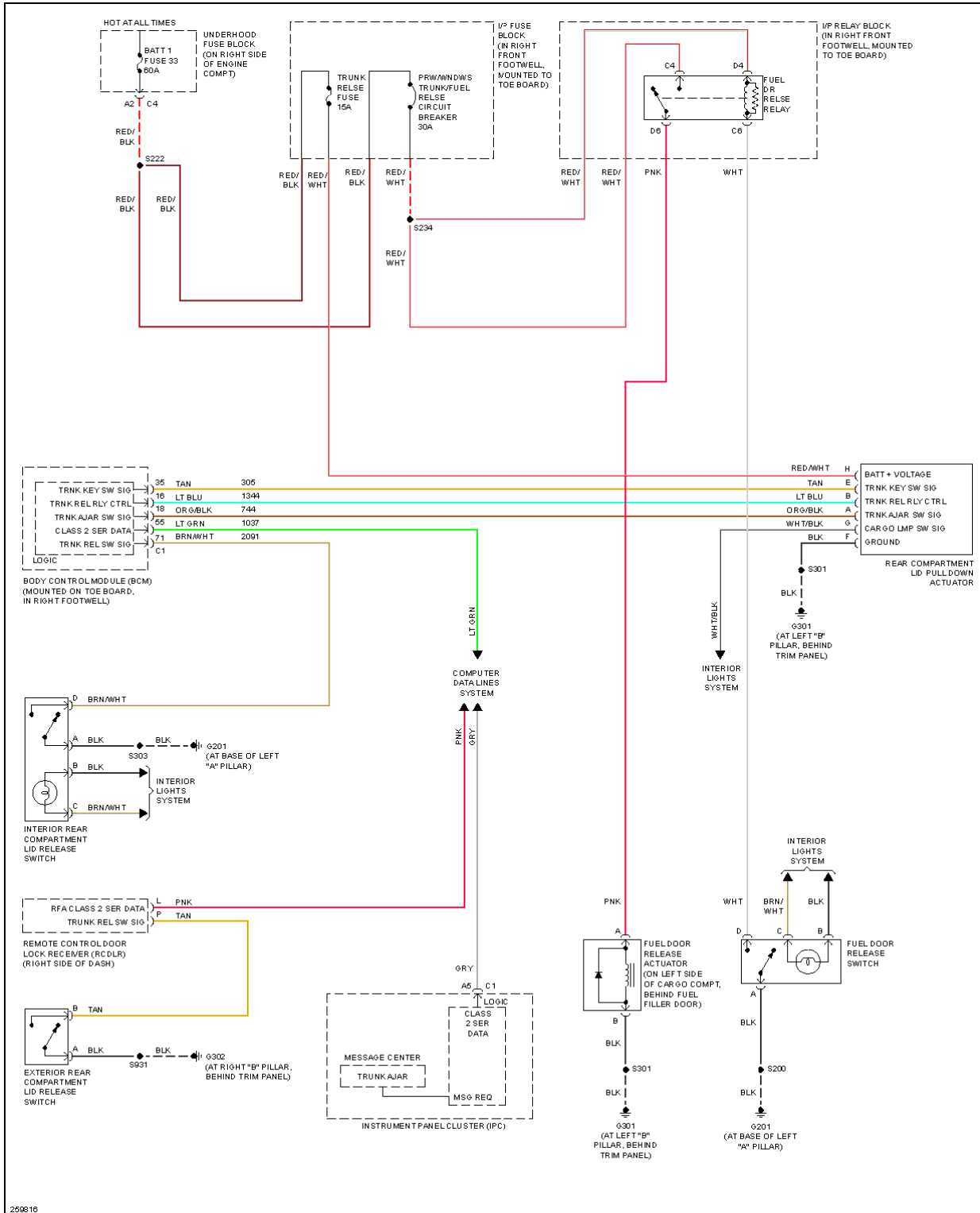


Fig. 75: Trunk & Fuel Door Release Circuit, Coupe

WARNING SYSTEMS

2007 Chevrolet Corvette

2007 SYSTEM WIRING DIAGRAMS Chevrolet - Corvette

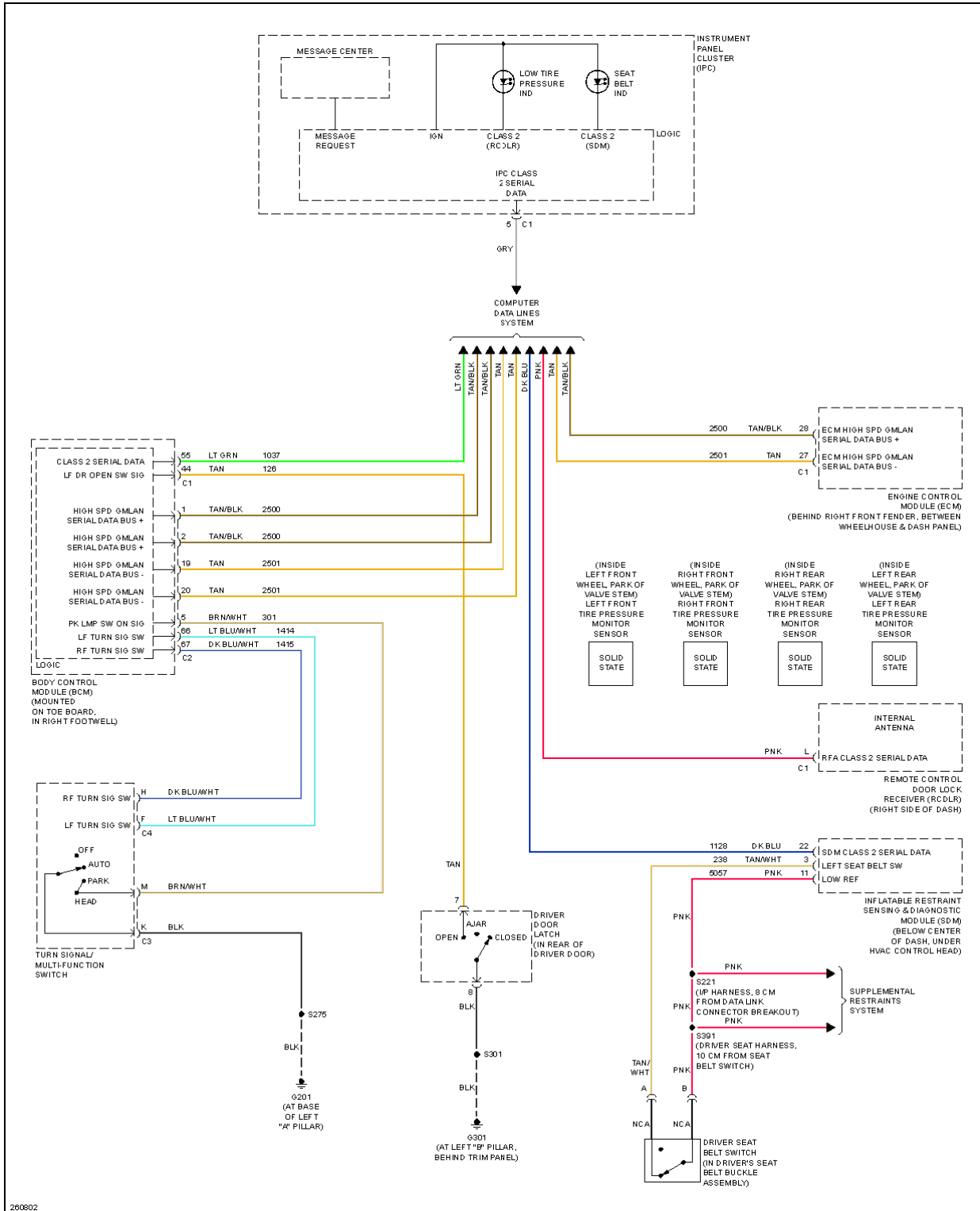


Fig. 76: Warning Systems Circuit

WIPER/WASHER

2007 Chevrolet Corvette

2007 SYSTEM WIRING DIAGRAMS Chevrolet - Corvette

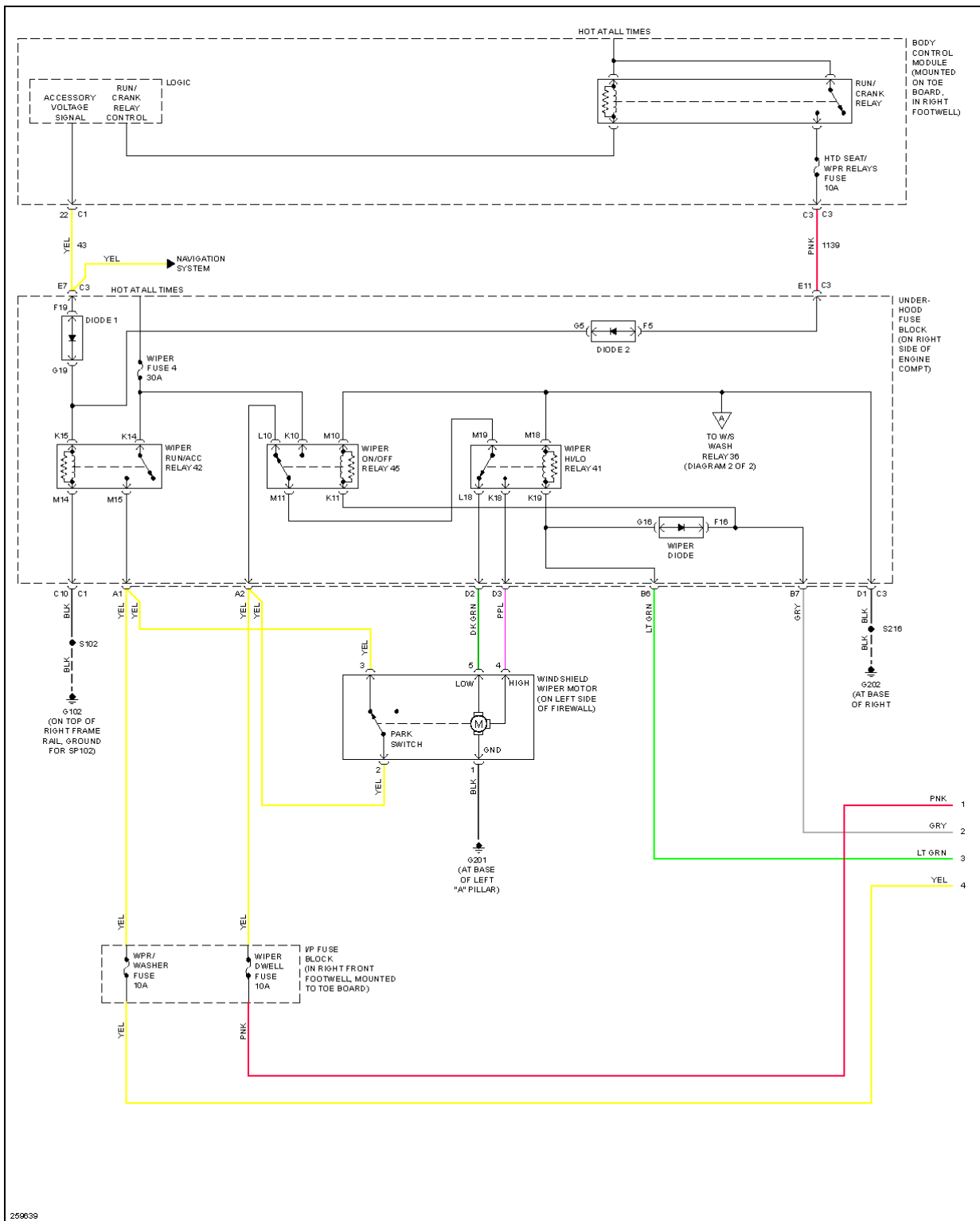


Fig. 77: Wiper/Washer Circuit (1 of 2)

2007 Chevrolet Corvette

2007 SYSTEM WIRING DIAGRAMS Chevrolet - Corvette

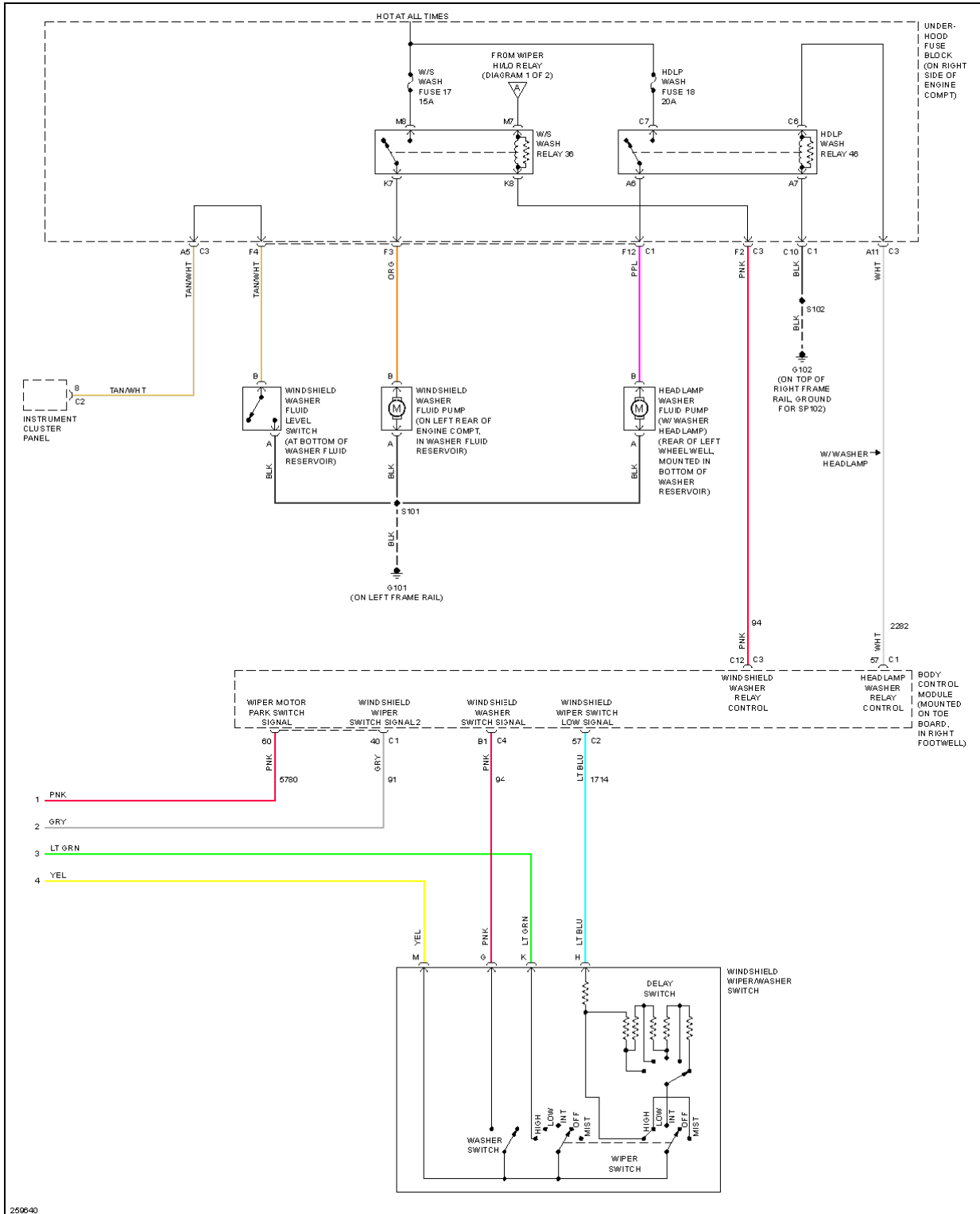


Fig. 78: Wiper/Washer Circuit (2 of 2)