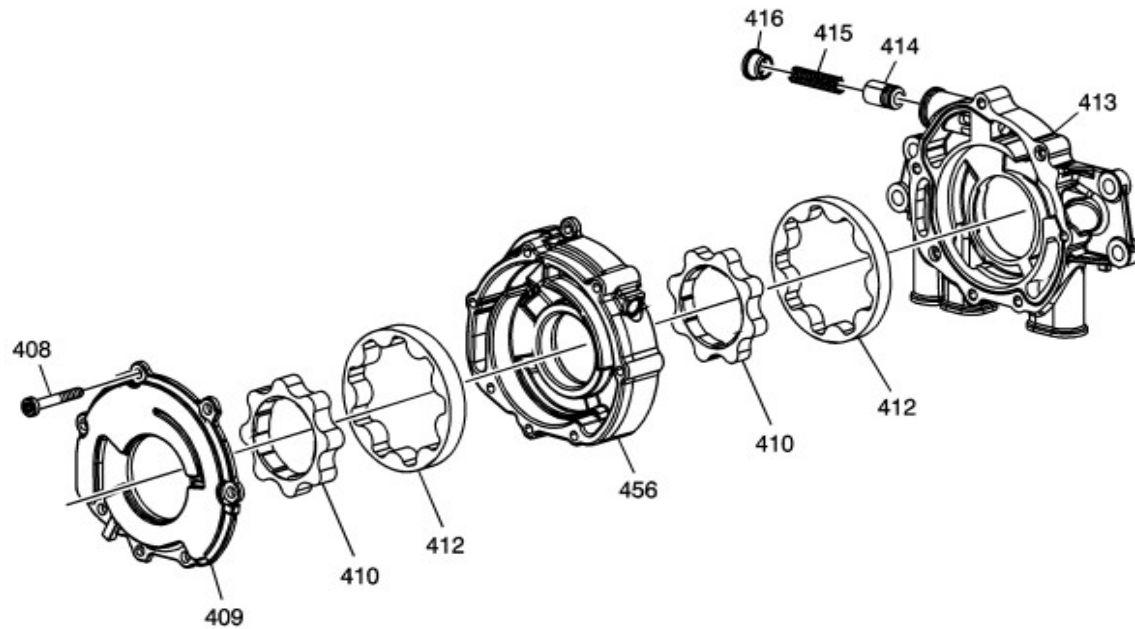


Oil Pump Assembly



- (408) Bolt
- (409) Oil Pump Cover
- (410) Oil Pump Gear- Drive
- (410) Oil Pump Gear- Drive
- (412) Oil Pump Gear- Driven
- (412) Oil Pump Gear- Driven
- (413) Oil Pump Housing- Primary
- (414) Oil Pressure Relief Valve
- (415) Oil Pressure Relief Valve Spring
- (416) Oil Pressure Relief Valve Plug
- (456) Oil Pump Housing- Secondary

