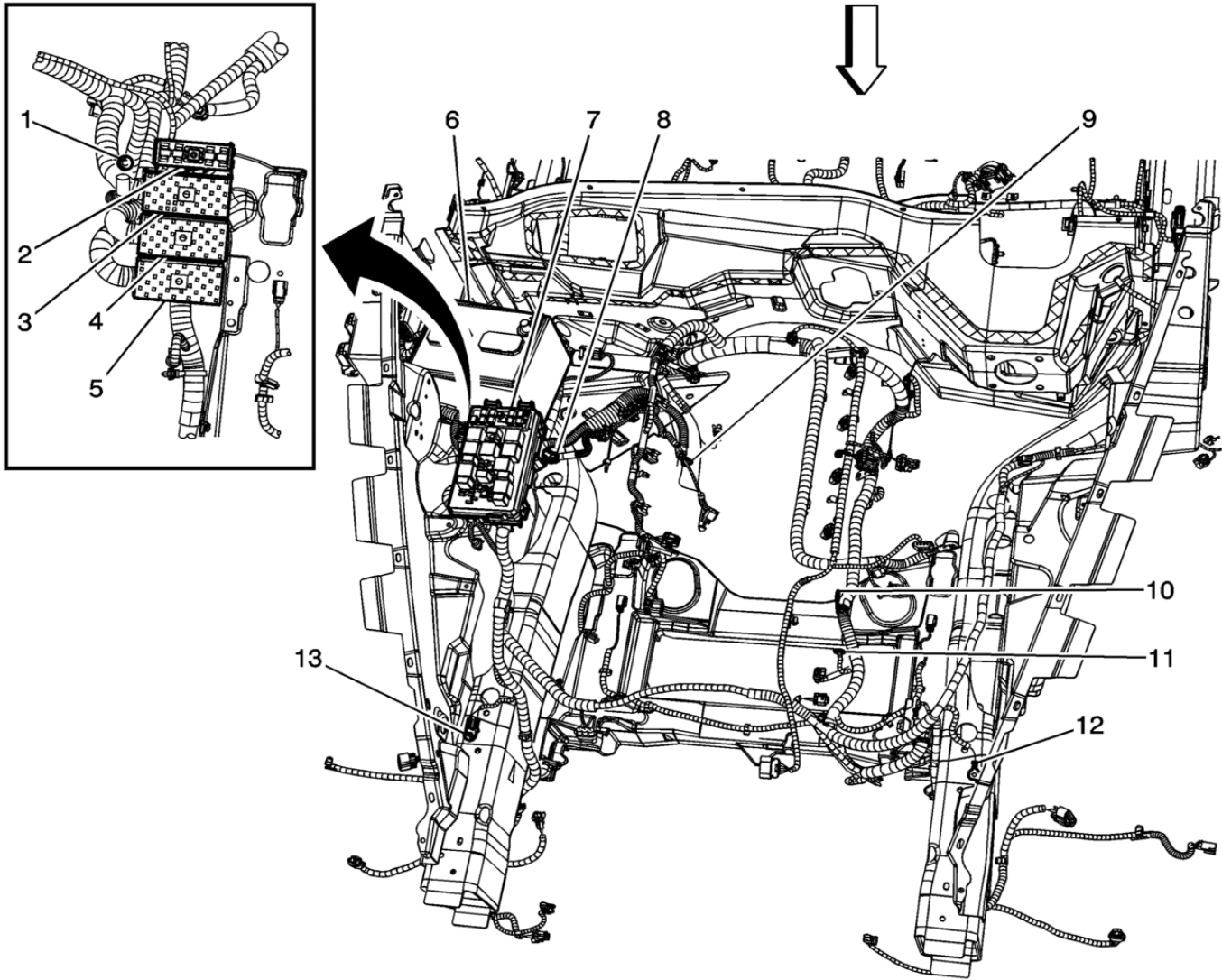


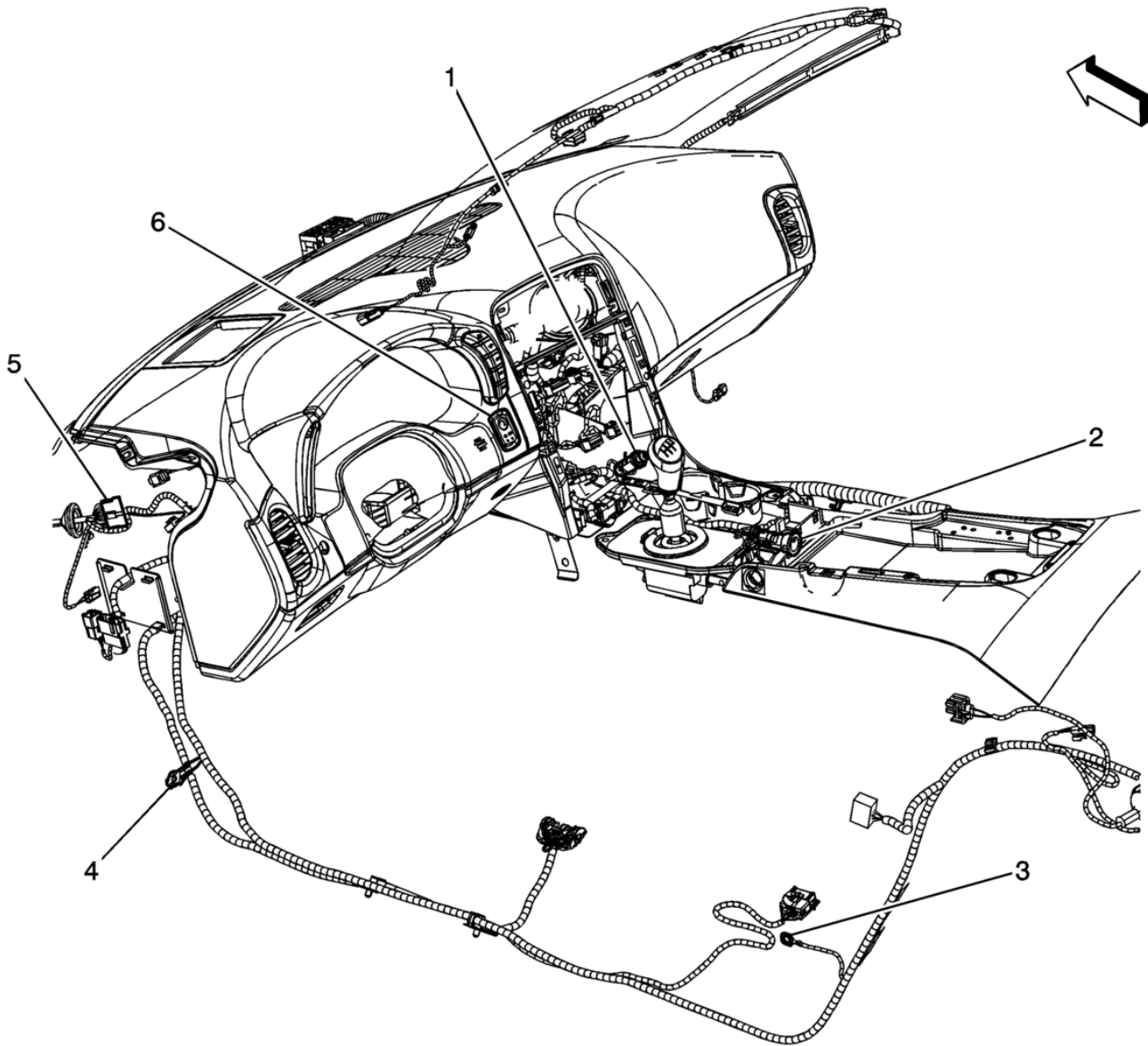
There are 6 Grounds in the Engine compartment designated with a "G" in the list.



- (1) Battery Positive Voltage
- (2) Fuse Block-Underhood C4
- (3) Fuse Block-Underhood C3
- (4) Fuse Block-Underhood C2
- (5) Fuse Block-Underhood C1
- (6) Battery
- (7) Fuse Block-Underhood
- (8) G104
- (9) G106 (Engine Block)

- (10) G107 (Engine Block)
- (11) G105 (Engine Block)
- (12) G101
- (13) G102

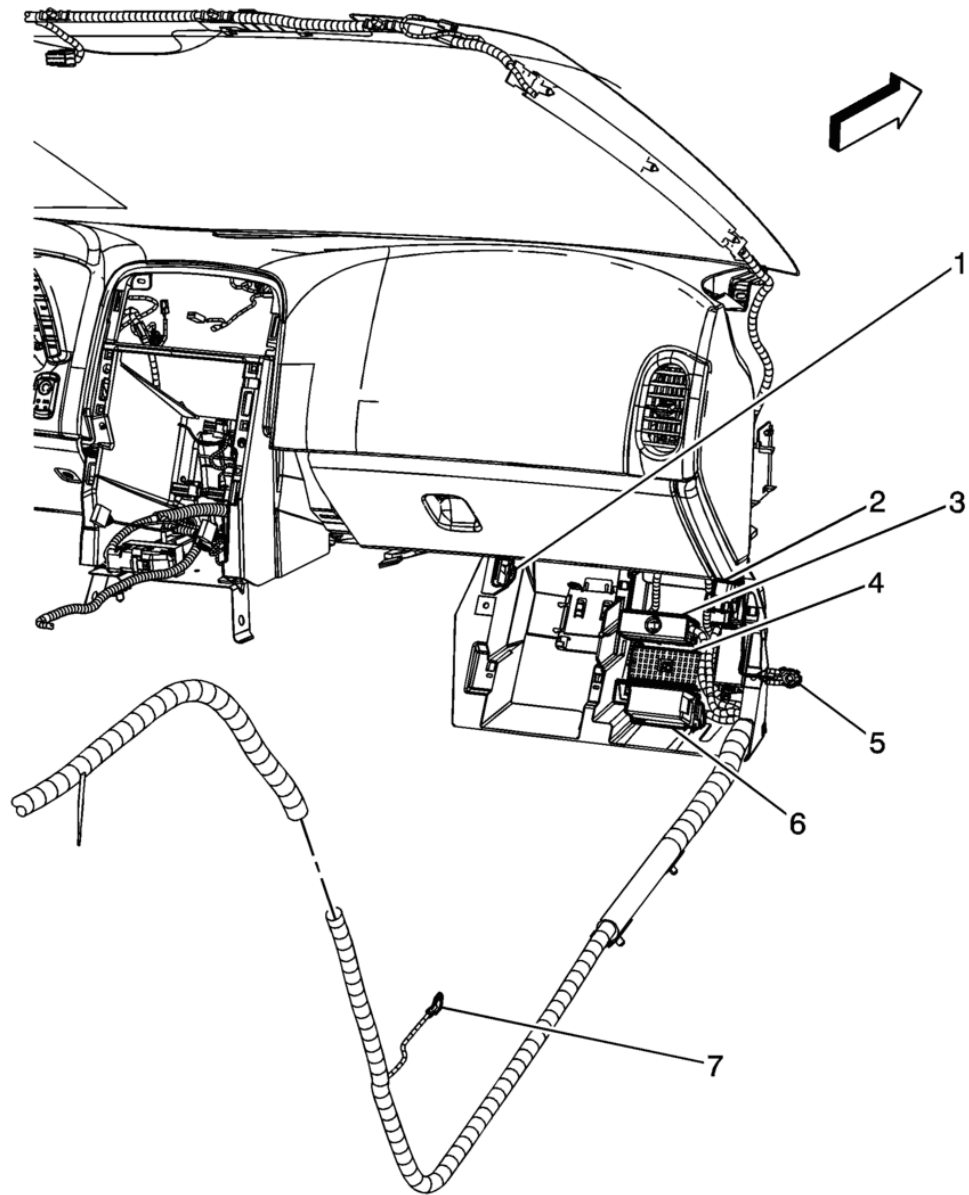
There are 2 Grounds on the Drivers side



- (1) Cigar Lighter
- (2) Auxiliary Outlet
- (3) G301
- (4) G201
- (5) Splice Pack SP205
- (6) Ignition Mode Switch

2 Grounds on the passenger side

- (1) Splice Pack SP208
- (2) Body Control Module (BCM) C2
- (3) Body Control Module (BCM) C3
- (4) Body Control Module (BCM) C4
- (5) G202
- (6) Relay Block-I/P
- (7) G302



2 Grounds at the rear suspension:

- (1) Fuel Tank-Right
- (2) G402
- (3) G401

