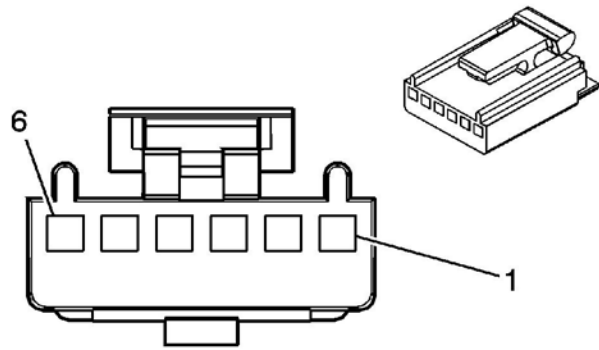


Steering Angle Sensor (JL4)



Connector Part Information

- | OEM: 12064978
- | Service: 12125678
- | Description: 6-Way F Micro-Pack 100 Series (GY)

Terminal Part Information

- | Terminal/Tray: See Terminal Repair Kit
- | Core/Insulation Crimp: See Terminal Repair Kit
- | Release Tool/Test Probe: See Terminal Repair Kit

Steering Angle Sensor (JL4)

Pin	Wire	Circuit	Function
1	0.35 D-GN	2087	5V
2	0.35 L-BU	2088	Low Reference
3-4	--	--	Not Used
5	0.35 L-GN	1763	Steering Wheel Position Signal A
6	0.35 L-BU	1764	Steering Wheel Position Signal B