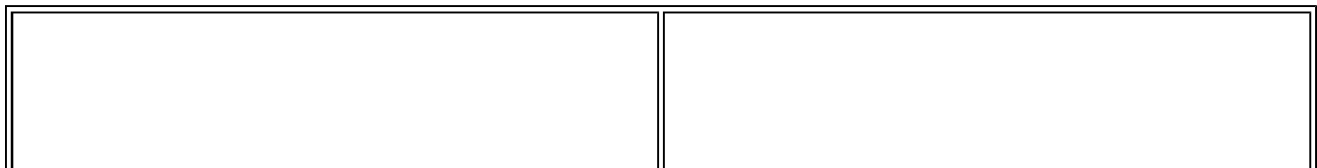


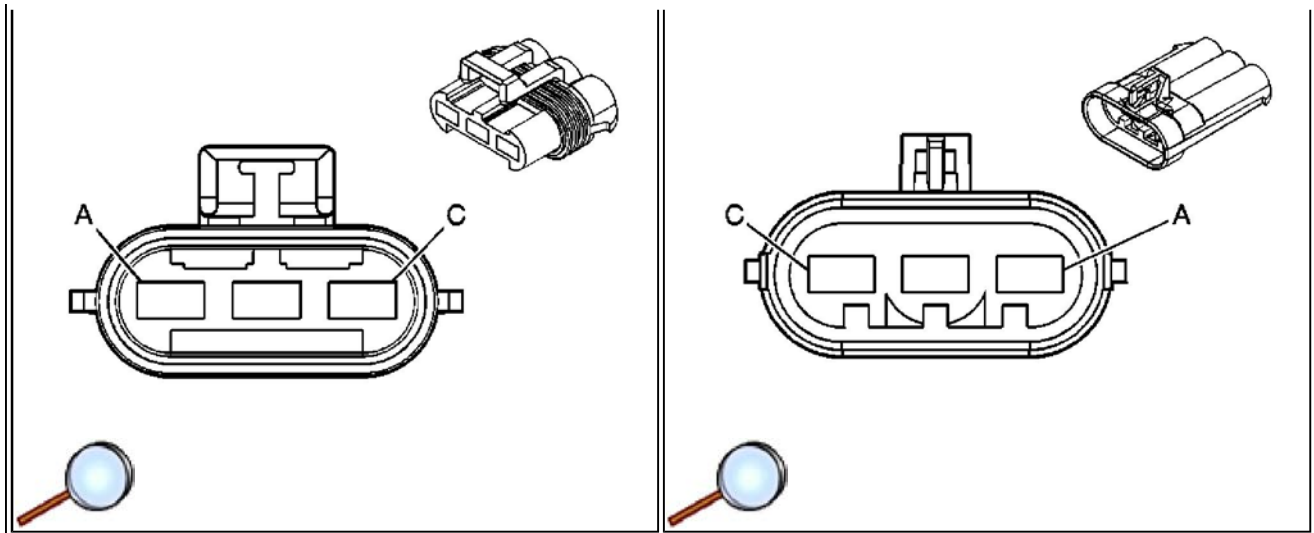
Inline Harness Connector End Views

- Connector 1:** [C102 Forward Lamp Harness to Fan Control Module Harness](#)
- Connector 2:** [C103 Engine Harness to Camshaft Sensor Jumper Harness](#)
- Connector 3:** [C119 \(T90\) Forward Lamp Harness to Headlamp - Left Harness](#)
- Connector 4:** [C119 \(w/o T90\) Forward Lamp Harness to Headlamp - Left Harness](#)
- Connector 5:** [C120 \(T90\) Forward Lamp Harness to Headlamp - Right Harness](#)
- Connector 6:** [C120 \(w/o T90\) Forward Lamp Harness to Headlamp - Right Harness](#)
- Connector 7:** [C121 Left Headlamp Harness to Left Headlamp Jumper Harness](#)
- Connector 8:** [C122 Right Headlamp Harness to Right Headlamp Jumper Harness](#)
- Connector 9:** [C131 Underhood Lamp Harness to Forward Lamp Harness](#)
- Connector 10:** [C139 Engine Harness to Ignition Coil \(Bank 2\) Jumper Harness](#)
- Connector 11:** [C140 Engine Harness to Ignition Coil \(Bank 1\) Jumper Harness](#)
- Connector 12:** [C159 Engine Harness to Wheel Speed Sensor Harness](#)
- Connector 13:** [C160 Engine Harness to Wheel Speed Sensor Harness](#)
- Connector 14:** [C166 Forward Lamp Harness to Instrument Panel Harness](#)
- Connector 15:** [C168 Transmission Harness to Forward Lamp Harness \(F55\)](#)
- Connector 16:** [C180 Engine Harness to I/P Harness](#)
- Connector 17:** [C182 I/P Harness to Engine Harness](#)
- Connector 18:** [C184 Transmission Harness to Engine Harness \(MM6/MZ6 w/o F55\)](#)
- Connector 19:** [C184 Transmission Harness to Engine Harness \(MYC or MM6/MZ6 w/F55\)](#)
- Connector 20:** [C186 Engine Harness to Forward Lamp Harness \(Y07/Y67\)](#)
- Connector 21:** [C186 Engine Harness to Forward Lamp Harness \(Y87 Late Production w/T90\)](#)
- Connector 22:** [C186 Engine Harness to Forward Lamp Harness \(Y87 w/o T90, Early Production w/T90\)](#)
- Connector 23:** [C231 Steering Column Harness to I/P Harness](#)
- Connector 24:** [C275 Inflatable Restraint Steering Wheel Module Coil to I/P Harness](#)
- Connector 25:** [C276 Inflatable Restraint Steering Wheel Module Coil to Steering Column Harness](#)
- Connector 26:** [C277 Inflatable Restraint Steering Wheel Module Coil to Steering Wheel Harness](#)
- Connector 27:** [C300 I/P Harness to Intrusion Sensor Harness \(UA2\)](#)

Connector 28:	C375 I/P Harness to Driver Seat Harness
Connector 29:	C377 Driver Seat Side Air Bag and Pretensioner Harness to I/P Harness
Connector 30:	C379 I/P Harness to Driver Seat Harness (AAB)
Connector 31:	C380 Passenger Seat Side Air Bag and Pretensioner Harness to I/P Harness
Connector 32:	C382 I/P Harness to Passenger Seat Harness
Connector 33:	C400 Transmission Harness to Transmission (MYC)
Connector 34:	C420 Transmission Harness to Fuel Tank Harness
Connector 35:	C431 Folding Top Motor Assembly Harness to Folding Top Harness (CM7)
Connector 36:	C433 I/P Harness to Folding Top Harness (CM7)
Connector 37:	C439 Suspension Damper - LR Harness to Transmission Harness (F55)
Connector 38:	C440 Suspension Damper - RR Harness to Transmission Harness (F55)
Connector 39:	C455 Rear Body Harness to I/P Harness
Connector 40:	C459 Fuel Tank Jumper - Left Harness to Fuel Tank Harness
Connector 41:	C460 Fuel Tank Jumper - Right Harness to Fuel Tank Harness
Connector 42:	C501 Driver Door Harness to I/P Harness
Connector 43:	C503 Driver Door Harness to I/P Harness (AAB)
Connector 44:	C555 Driver Door Harness to Driver Door Trim Harness
Connector 45:	C600 Passenger Door Harness to I/P Harness
Connector 46:	C602 Passenger Door Harness to I/P Harness (U65)
Connector 47:	C666 Passenger Door Harness to Passenger Door Trim Harness

C102 Forward Lamp Harness to Fan Control Module Harness





Connector Part Information

- | OEM: 12124685
- | Service: 12116243
- | Description: 3-Way F Metri-Pack 630 Series, Sealed (BK)

Terminal Part Information

- | Pins: A-C
- | Terminal/Tray: 15305232/23
- | Core/Insulation Crimp: Pins: A : See Terminal Repair Kit
- | Core/Insulation Crimp: Pins: B, C : B/3
- | Release Tool/Test Probe: J-38125-11A/J-35616-42 (RD)

Connector Part Information

- | OEM: 12124686
- | Service: See Catalog
- | Description: 3-Way M Metri-Pack 630 Series, Sealed (BK)

Terminal Part Information

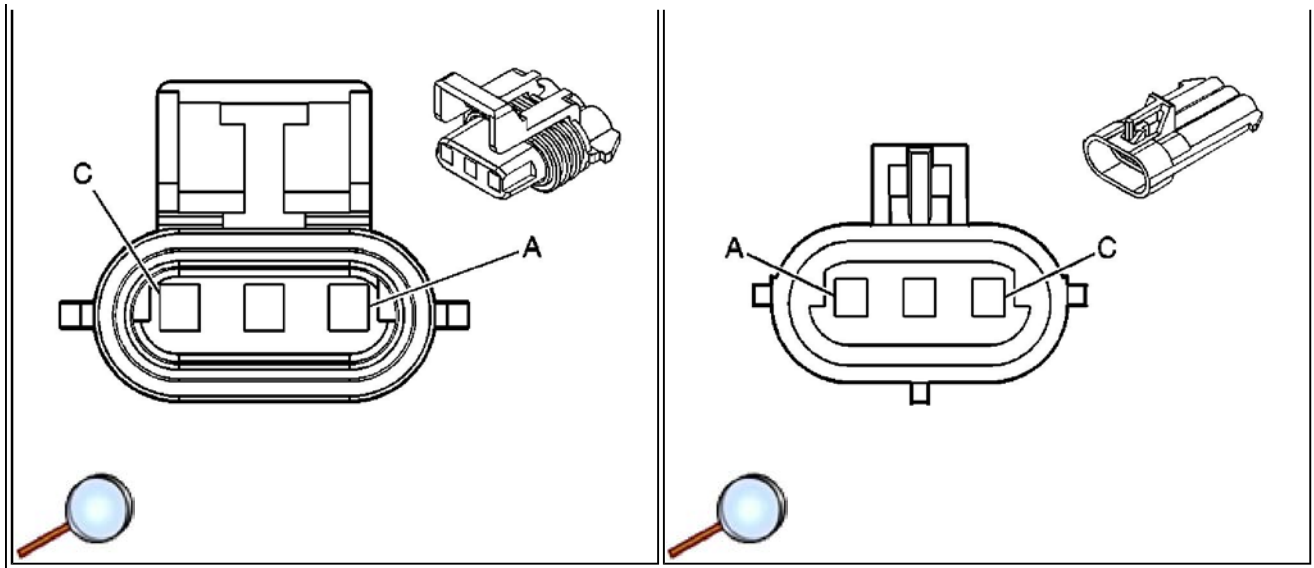
- | Terminal/Tray: See Terminal Repair Kit
- | Core/Insulation Crimp: See Terminal Repair Kit
- | Release Tool/Test Probe: See Terminal Repair Kit

C102 Forward Lamp Harness to Fan Control Module Harness

Pin	Wire Color	Circuit No.	Function	Pin	Wire Color	Circuit No.	Function
A	D-GN	335	Cooling Fan Speed Control	A	RD/OG	335	Cooling Fan Speed Control
B	BK	1250	Ground	B	BK	1250	Ground
C	RD/BK	342	Battery Positive Voltage	C	RD	342	Battery Positive Voltage

C103 Engine Harness to Camshaft Sensor Jumper Harness





Connector Part Information

- | OEM: 12110293
- | Service: 12117025
- | Description: 3-Way F Metri-Pack 630 Series, Sealed (BK)

Terminal Part Information

- | Terminal/Tray: 12048074/2
- | Core/Insulation Crimp: E/1
- | Release Tool/Test Probe: 12094429/J-35616-2A (GY)

Connector Part Information

- | OEM: 12129615
- | Service: 15305889
- | Description: 3-Way M Metri-Pack 630 Series, Sealed (BK)

Terminal Part Information

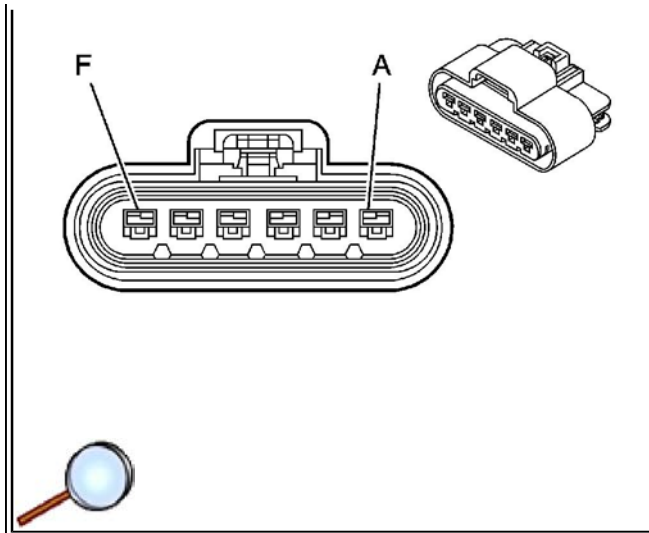
- | Terminal/Tray: See Terminal Repair Kit
- | Core/Insulation Crimp: See Terminal Repair Kit
- | Release Tool/Test Probe: See Terminal Repair Kit

C103 Engine Harness to Camshaft Sensor Jumper Harness

Pin	Wire Color	Circuit No.	Function	Pin	Wire Color	Circuit No.	Function
A	OG	631	12-Volt Reference	A	RD	631	12-Volt Reference
B	PK/BK	632	Low Reference	B	PK/BK	632	Low Reference
C	BN/WH	633	CMP Sensor Signal	C	BN/WH	633	CMP Sensor Signal

C119 (T90) Forward Lamp Harness to Headlamp - Left Harness

--	--

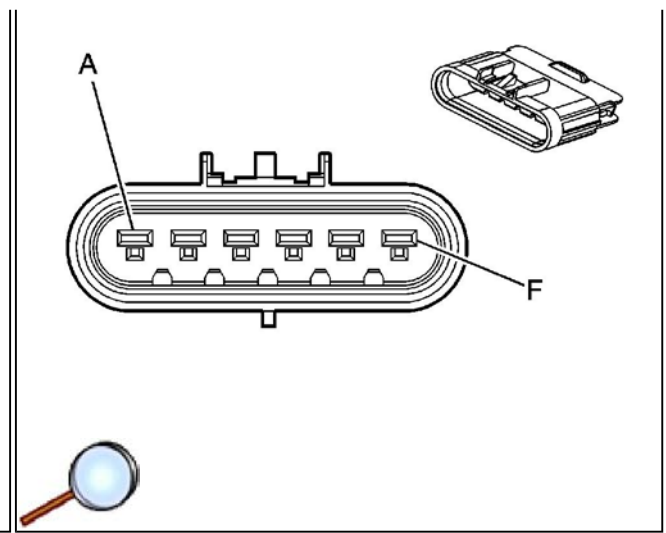


Connector Part Information

- | OEM: 15326635
- | Service: 88953154
- | Description: 6-Way F GT 280 Series, Sealed (BK)

Terminal Part Information

- | Pins: C-E
- | Terminal/Tray: 15304719/19
- | Core/Insulation Crimp: E/5
- | Release Tool/Test Probe: 15315247/J-35616-4A (PU)
- | Pins: A, B
- | Terminal/Tray: 15304720/19
- | Core/Insulation Crimp: 4/5
- | Release Tool/Test Probe: 15315247/J-35616-4A (PU)



Connector Part Information

- | OEM: 15326640
- | Service: 88953150
- | Description: 6-Way M GT 280 Series, Sealed (BK)

Terminal Part Information

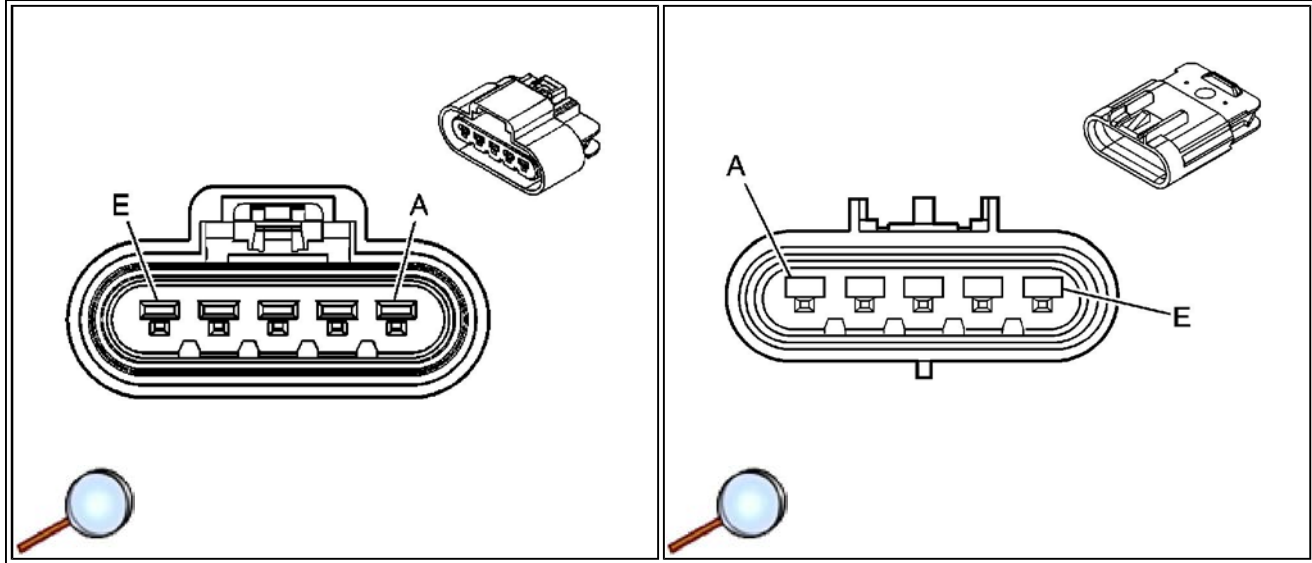
- | Pins: A-E
- | Terminal/Tray: See Terminal Repair Kit
- | Core/Insulation Crimp: See Terminal Repair Kit
- | Release Tool/Test Probe: See Terminal Repair Kit

C119 (T90) Forward Lamp Harness to Headlamp - Left Harness

Pin	Wire Color	Circuit No.	Function	Pin	Wire Color	Circuit No.	Function
A	BK	1350	Ground	A	BK	1350	Ground
B	YE	712	Left Headlamp Low Beam Supply Voltage	B	YE	712	Left Headlamp Low Beam Supply Voltage
C	D-GN/WH	711	Left Headlamp High Beam Supply Voltage	C	D-GN/WH	711	Left Headlamp High Beam Supply Voltage
D	L-BU/WH	1314	Left Front Turn Signal Lamp Supply Voltage	D	L-BU/WH	1314	Left Front Turn Signal Lamp Supply Voltage
E	BN	9	Park Lamp Supply Voltage	E	BN	9	Park Lamp Supply Voltage

F	--	--	Not Used	F	--	--	Not Used
---	----	----	----------	---	----	----	----------

C119 (w/o T90) Forward Lamp Harness to Headlamp - Left Harness



Connector Part Information

- | OEM: 15326642
- | Service: 15306395
- | Description: 5-Way F GT 280 Series, Sealed 5.8 (BK)

Terminal Part Information

- | Pins: C-E
- | Terminal/Tray: 15304719/19
- | Core/Insulation Crimp: E/5
- | Release Tool/Test Probe: 15315247/J-35616-4A (PU)
- | Pins: A, B
- | Terminal/Tray: 15304720/19
- | Core/Insulation Crimp: 4/5
- | Release Tool/Test Probe: 15315247/J-35616-4A (PU)

Connector Part Information

- | OEM: 15326647
- | Service: 88953360
- | Description: 5-Way M GT 280 Series, Sealed 5.8 (BK)

Terminal Part Information

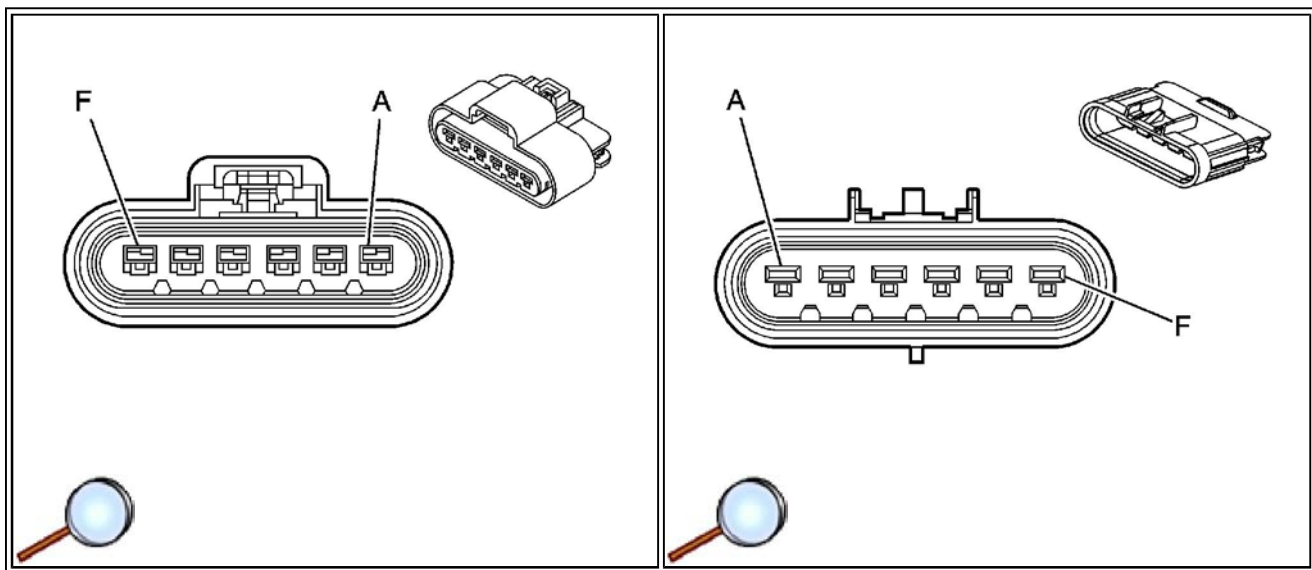
- | Terminal/Tray: See Terminal Repair Kit
- | Core/Insulation Crimp: See Terminal Repair Kit
- | Release Tool/Test Probe: See Terminal Repair Kit

C119 (w/o T90) Forward Lamp Harness to Headlamp - Left Harness

Pin	Wire Color	Circuit No.	Function	Pin	Wire Color	Circuit No.	Function

A	BK	1350	Ground	A	BK	1350	Ground
B	YE	712	Left Headlamp Low Beam Supply Voltage	B	YE	712	Left Headlamp Low Beam Supply Voltage
C	D-GN/WH	711	Left Headlamp High Beam Supply Voltage	C	D-GN/WH	711	Left Headlamp High Beam Supply Voltage
D	L-BU/WH	1314	Left Front Turn Signal Lamp Supply Voltage	D	L-BU/WH	1314	Left Front Turn Signal Lamp Supply Voltage
E	BN	9	Park Lamp Supply Voltage	E	BN	9	Park Lamp Supply Voltage

C120 (T90) Forward Lamp Harness to Headlamp - Right Harness



Connector Part Information

- | OEM: 15326635
- | Service: 88953154
- | Description: 6-Way F GT 280 Series, Sealed (BK)

Connector Part Information

- | OEM: 15326640
- | Service: 88953150
- | Description: 6-Way M GT 280 Series, Sealed (BK)

Terminal Part Information

- | Pins: C-E
- | Terminal/Tray: 15304719/19
- | Core/Insulation Crimp: E/5
- | Release Tool/Test Probe: 15315247/J-35616-4A (PU)
- | Pins: A, B
- | Terminal/Tray: 15304720/19
- | Core/Insulation Crimp: 4/5

Terminal Part Information

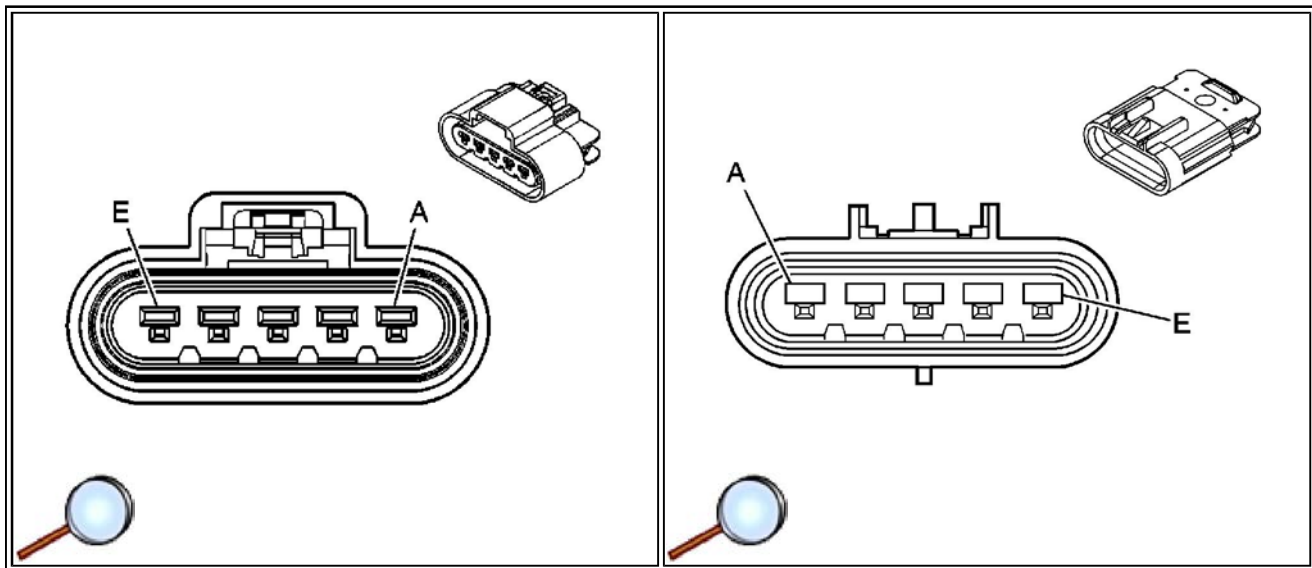
- | Pins: A-E
- | Terminal/Tray: See Terminal Repair Kit
- | Core/Insulation Crimp: See Terminal Repair Kit
- | Release Tool/Test Probe: See Terminal Repair Kit

I Release Tool/Test Probe: 15315247/J-35616-4A (PU)

C120 (T90) Forward Lamp Harness to Headlamp - Right Harness

Pin	Wire Color	Circuit No.	Function	Pin	Wire Color	Circuit No.	Function
A	BK	1250	Ground	A	BK	1250	Ground
B	TN/WH	312	Right Headlamp Low Beam Supply Voltage	B	TN/WH	312	Right Headlamp Low Beam Supply Voltage
C	L-GN/BK	311	Right Headlamp High Beam Supply Voltage	C	L-GN/BK	311	Right Headlamp High Beam Supply Voltage
D	D-BU/WH	1315	Right Front Turn Signal Lamp Supply Voltage	D	D-BU/WH	1315	Right Front Turn Signal Lamp Supply Voltage
E	BN	9	Park Lamp Supply Voltage	E	BN	9	Park Lamp Supply Voltage
F	--	--	Not Used	F	--	--	Not Used

C120 (w/o T90) Forward Lamp Harness to Headlamp - Right Harness



Connector Part Information

I OEM: 15326642
 I Service: 15306395
 I Description: 5-Way F GT 280 Series, Sealed 5.8 (BK)

Connector Part Information

I OEM: 15326647
 I Service: 88953360
 I Description: 5-Way M GT 280 Series, Sealed 5.8 (BK)

Terminal Part

Information

- I Pins: C-E
- I Terminal/Tray: 15304719/19
- I Core/Insulation Crimp: E/5
- I Release Tool/Test Probe: 15315247/J-35616-4A (PU)

- I Pins: A, B
- I Terminal/Tray: 15304720/19
- I Core/Insulation Crimp: 4/5
- I Release Tool/Test Probe: 15315247/J-35616-4A (PU)

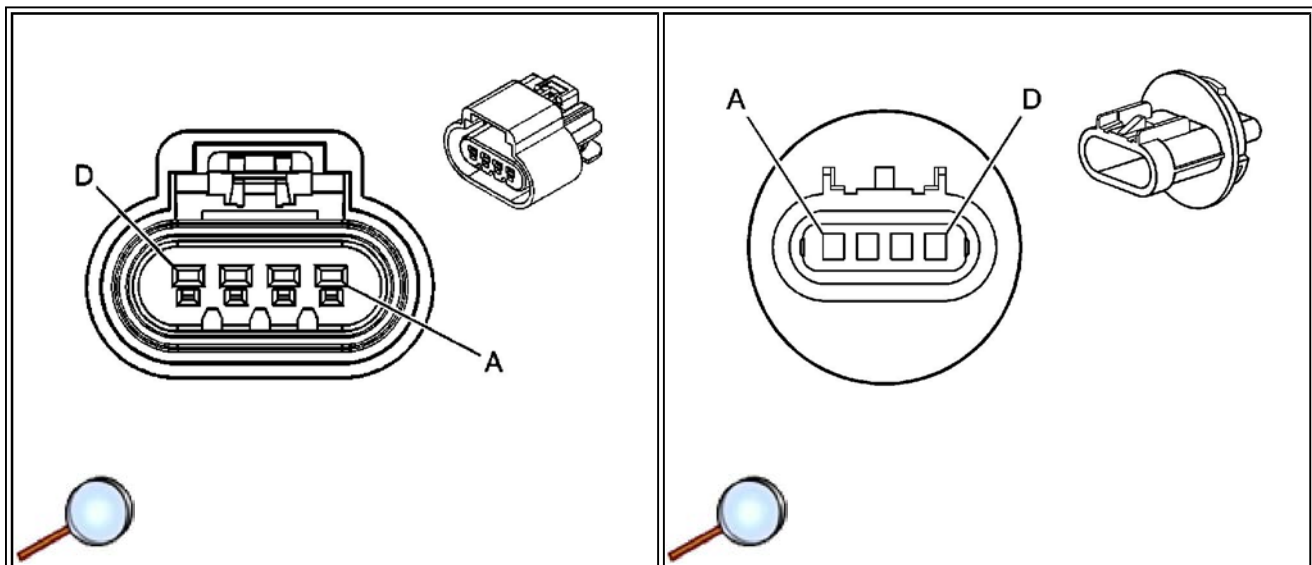
Terminal Part Information

- I Terminal/Tray: See Terminal Repair Kit
- I Core/Insulation Crimp: See Terminal Repair Kit
- I Release Tool/Test Probe: See Terminal Repair Kit

C120 (w/o T90) Forward Lamp Harness to Headlamp - Right Harness

Pin	Wire Color	Circuit No.	Function	Pin	Wire Color	Circuit No.	Function
A	BK	1250	Ground	A	BK	1250	Ground
B	TN/WH	312	Right Headlamp Low Beam Supply Voltage	B	YE	312	Right Headlamp Low Beam Supply Voltage
C	L-GN/BK	311	Right Headlamp High Beam Supply Voltage	C	D-GN/BK	311	Right Headlamp High Beam Supply Voltage
D	D-BU/WH	1315	Right Front Turn Signal Lamp Supply Voltage	D	D-BU/WH	1315	Right Front Turn Signal Lamp Supply Voltage
E	BN	9	Park Lamp Supply Voltage	E	BN	9	Park Lamp Supply Voltage

C121 Left Headlamp Harness to Left Headlamp Jumper Harness



Connector Part Information

- I OEM: 15326815
- I Service: 15306396
- I Description: 4-Way F GT 150 Series, Sealed 4.0 (BK)

Terminal Part Information

- I Terminal/Tray: See Terminal Repair Kit
- I Core/Insulation Crimp: See Terminal Repair Kit
- I Release Tool/Test Probe: See Terminal Repair Kit

Connector Part Information

- I OEM: 15369319
- I Service: See Catalog
- I Description: 4-Way M GT 150 Series, Sealed 4.0 (BK)

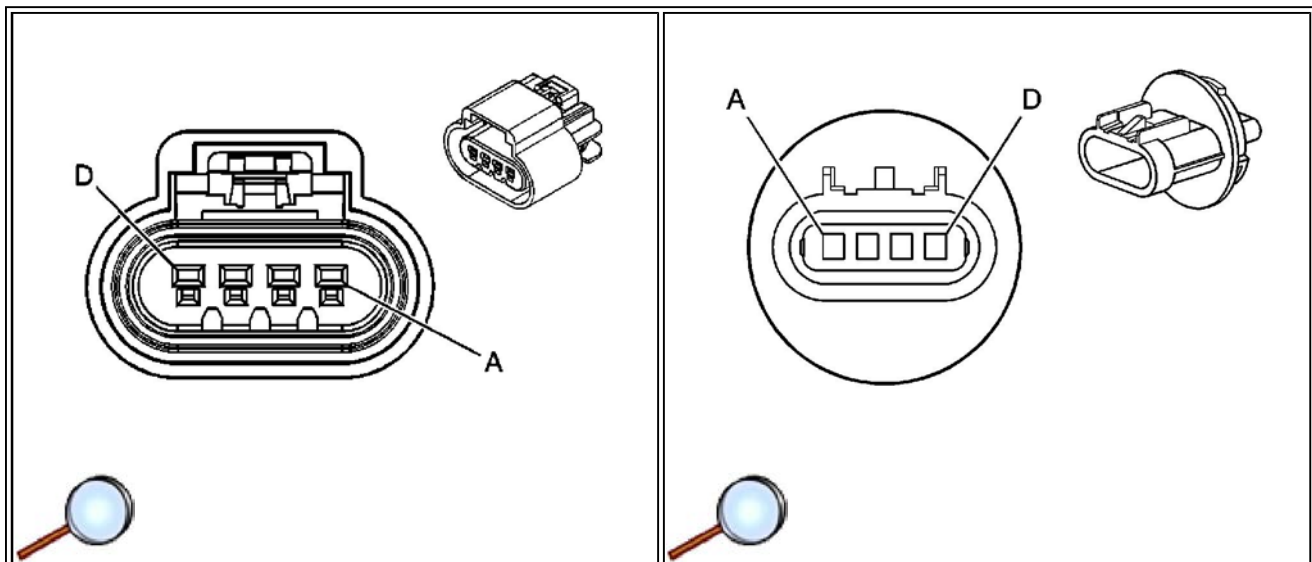
Terminal Part Information

- I Terminal/Tray: See Terminal Repair Kit
- I Core/Insulation Crimp: See Terminal Repair Kit
- I Release Tool/Test Probe: See Terminal Repair Kit

C121 Left Headlamp Harness to Left Headlamp Jumper Harness

Pin	Wire Color	Circuit No.	Function	Pin	Wire Color	Circuit No.	Function
A	D-GN/WH	711	Left Headlamp High Beam Supply Voltage	A	D-GN/WH	711	Left Headlamp High Beam Supply Voltage
B	BK	1350	Ground	B	BK	1350	Ground
C	YE	712	Left Headlamp Low Beam Supply Voltage	C	YE	712	Left Headlamp Low Beam Supply Voltage
D	BK	1350	Ground	D	BK	1350	Ground

C122 Right Headlamp Harness to Right Headlamp Jumper Harness



Connector Part Information

- | OEM: 15326815
- | Service: 15306396
- | Description: 4-Way F GT 150 Series, Sealed 4.0 (BK)

Terminal Part Information

- | Terminal/Tray: See Terminal Repair Kit
- | Core/Insulation Crimp: See Terminal Repair Kit
- | Release Tool/Test Probe: See Terminal Repair Kit

Connector Part Information

- | OEM: 15369319
- | Service: See Catalog
- | Description: 4-Way M GT 150 Series, Sealed 4.0 (BK)

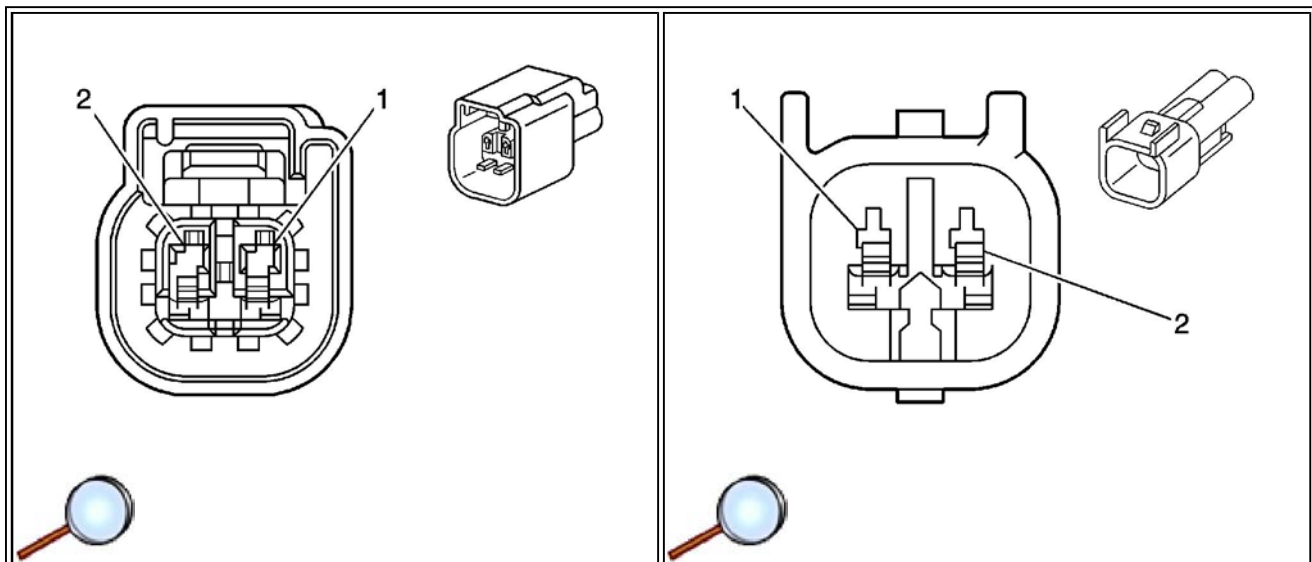
Terminal Part Information

- | Terminal/Tray: See Terminal Repair Kit
- | Core/Insulation Crimp: See Terminal Repair Kit
- | Release Tool/Test Probe: See Terminal Repair Kit

C122 Right Headlamp Harness to Right Headlamp Jumper Harness

Pin	Wire Color	Circuit No.	Function	Pin	Wire Color	Circuit No.	Function
A	L-GN/BK	311	Right Headlamp High Beam Supply Voltage	A	L-GN/BK	311	Right Headlamp High Beam Supply Voltage
B	BK	1250	Ground	B	BK	1250	Ground
C	TN/WH	312	Right Headlamp Low Beam Supply Voltage	C	TN/WH	312	Right Headlamp Low Beam Supply Voltage
D	BK	1250	Ground	D	BK	1250	Ground

C131 Underhood Lamp Harness to Forward Lamp Harness



Connector Part Information

- | OEM: E-5069
- | Service: 88988058
- | Description: 2-Way F 150 Series, Sealed (BK)

Connector Part Information

- | OEM: E-5067-1
- | Service: 88988056
- | Description: 2-Way M 150 Series, Sealed (BK)

Terminal Part Information

- | Terminal/Tray: 7116-4102-08/9
- | Core/Insulation Crimp: E/1
- | Release Tool/Test Probe: 12094430/J-35616-2A (GY)

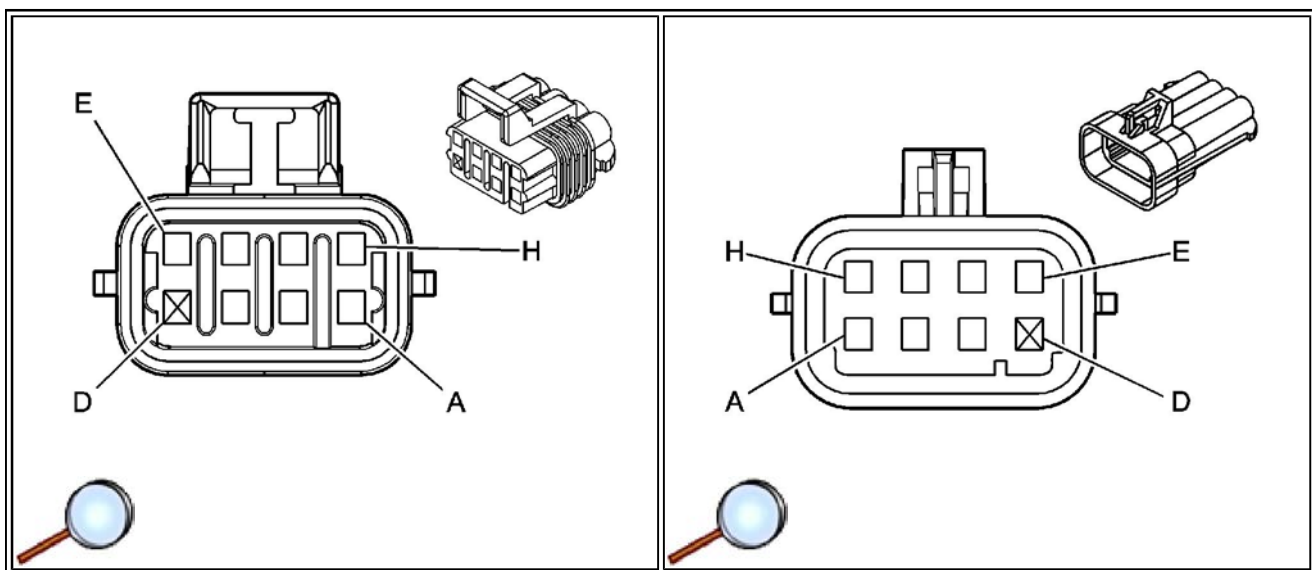
Terminal Part Information

- | Terminal/Tray: 7114-4102-08/9
- | Core/Insulation Crimp: E/1
- | Release Tool/Test Probe: 12094430/J-35616-3 (GY)

C131 Underhood Lamp Harness to Forward Lamp Harness

Pin	Wire Color	Circuit No.	Function	Pin	Wire Color	Circuit No.	Function
1	OG	1732	Courtesy Lamps Supply Voltage	1	OG	1732	Courtesy Lamps Supply Voltage
2	BK	1250	Ground	2	BK	1250	Ground

C139 Engine Harness to Ignition Coil (Bank 2) Jumper Harness



Connector Part Information

- | OEM: 12047938

Connector Part Information

- | OEM: 12047933

- I Service: 12102754
- I Description: 8-Way F Metri-Pack 150 Series, Sealed (L-GY)

- I Service: 12102490
- I Description: 8-Way M Metri-Pack 150 Series, Sealed (L-GY)

Terminal Part Information

- I Pins: A-C, E-H
- I Terminal/Tray: 12048074/2
- I Core/Insulation Crimp: E/1
- I Release Tool/Test Probe: 12094429/J-35616-2A (GY)

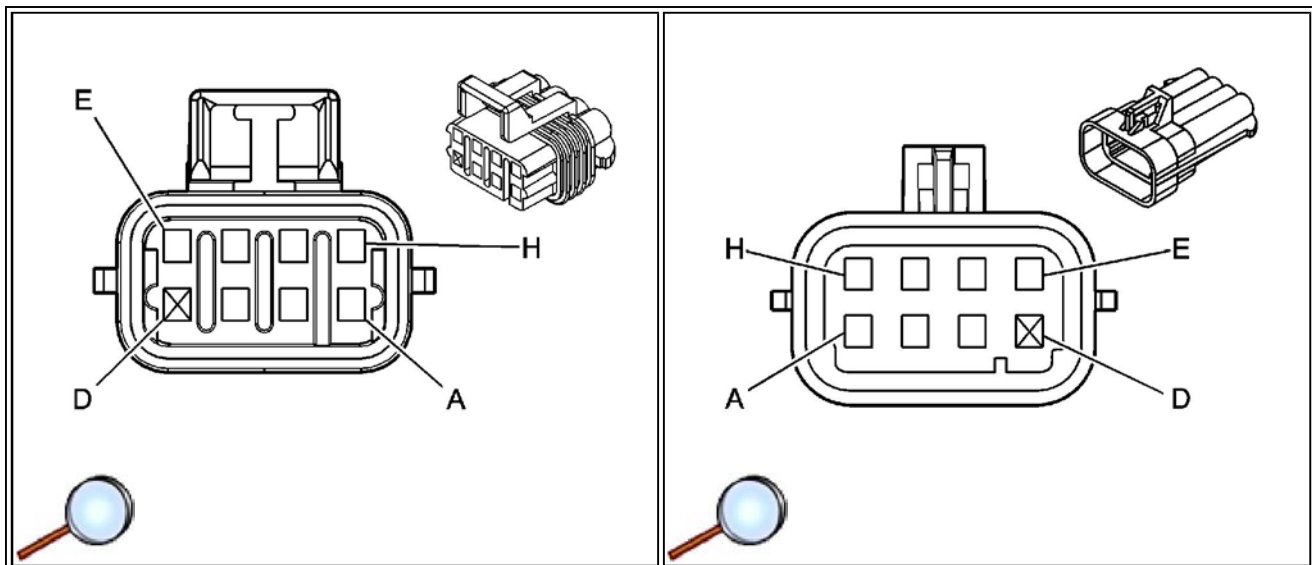
Terminal Part Information

- I Pins: A-C, E-H
- I Terminal/Tray: See Terminal Repair Kit
- I Core/Insulation Crimp: See Terminal Repair Kit
- I Release Tool/Test Probe: See Terminal Repair Kit

C139 Engine Harness to Ignition Coil (Bank 2) Jumper Harness

Pin	Wire Color	Circuit No.	Function	Pin	Wire Color	Circuit No.	Function
A	BK/WH	51	Signal Ground	A	BK	151	Signal Ground
B	OG/WH	2122	Ignition Control (2)	B	RD	2122	Ignition Control (2)
C	D-GN/WH	2124	Ignition Control (4)	C	D-GN	2124	Ignition Control (4)
D	--	--	Not Available	D	--	--	Not Available
E	BN/WH	2130	Ignition Control Low Reference Bank 2	E	BN	2130	Ignition Control Low Reference Bank 2
F	L-BU/WH	2126	Ignition Control (6)	F	L-BU	2126	Ignition Control (6)
G	PU/WH	2128	Ignition Control (8)	G	PU	2128	Ignition Control (8)
H	PK	139	Ignition 1 Voltage	H	PK	39	Ignition 1 Voltage

C140 Engine Harness to Ignition Coil (Bank 1) Jumper Harness



Connector Part Information

- I OEM: 12047938
- I Service: 12102754
- I Description: 8-Way F Metri-Pack 150 Series, Sealed (L-GY)

Terminal Part Information

- I Pins: A-C, E-H
- I Terminal/Tray: 12048074/2
- I Core/Insulation Crimp: E/1
- I Release Tool/Test Probe: 12094429/J-35616-2A (GY)

Connector Part Information

- I OEM: 12047933
- I Service: 12102490
- I Description: 8-Way M Metri-Pack 150 Series, Sealed (L-GY)

Terminal Part Information

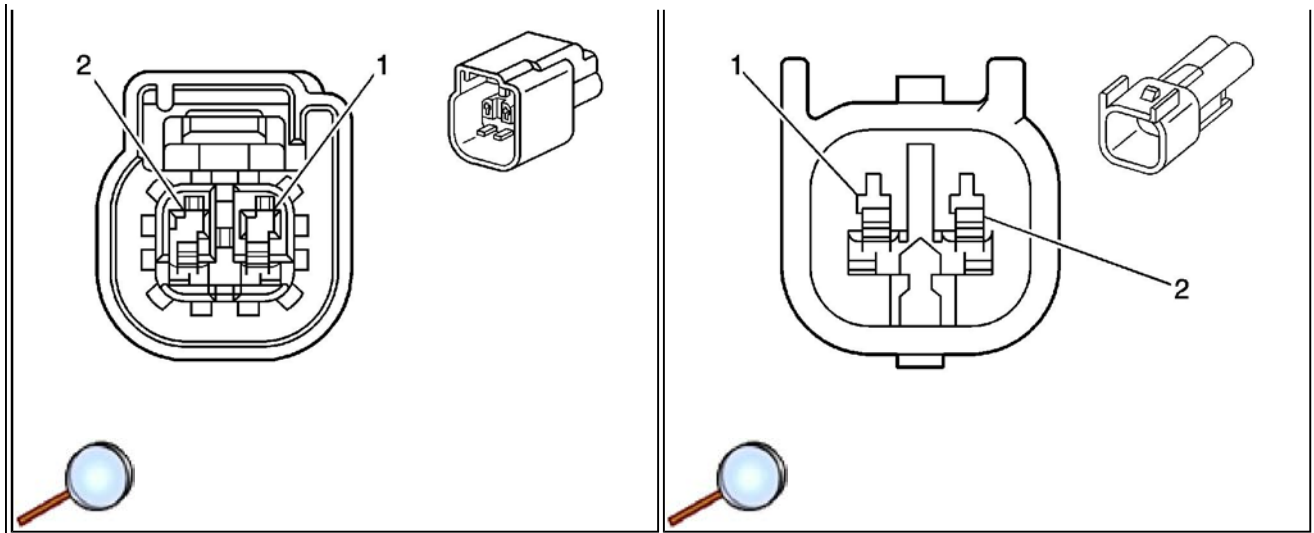
- I Pins: A-C, E-H
- I Terminal/Tray: See Terminal Repair Kit
- I Core/Insulation Crimp: See Terminal Repair Kit
- I Release Tool/Test Probe: See Terminal Repair Kit

C140 Engine Harness to Ignition Coil (Bank 1) Jumper Harness

Pin	Wire Color	Circuit No.	Function	Pin	Wire Color	Circuit No.	Function
A	BK/WH	51	Signal Ground	A	BK	151	Signal Ground
B	OG	2127	Ignition Control (7)	B	RD	2127	Ignition Control (7)
C	D-GN	2125	Ignition Control (5)	C	D-GN	2125	Ignition Control (5)
D	--	--	Not Available	D	--	--	Not Available
E	BN	2129	Ignition Control Low Reference Bank 1	E	BN	2129	Ignition Control Low Reference Bank 1
F	L-BU	2123	Ignition Control (3)	F	L-BU	2123	Ignition Control (3)
G	PU	2121	Ignition Control (1)	G	PU	2121	Ignition Control (1)
H	PK	39	Ignition 1 Voltage	H	PK	39	Ignition 1 Voltage

C159 Engine Harness to Wheel Speed Sensor Harness

--	--



Connector Part Information

- | OEM: E-5069
- | Service: 88988058
- | Description: 2-Way F Sleeve Assembly Wire Connector, Sealed (BK)

Terminal Part Information

- | Terminal/Tray: 7116-4102-08/9
- | Core/Insulation Crimp: E/1
- | Release Tool/Test Probe: 12094430/J-35616-2A (GY)

Connector Part Information

- | OEM: E-5067
- | Service: 88988056
- | Description: 2-Way M Sleeve Assembly Wire Connector (BK)

Terminal Part Information

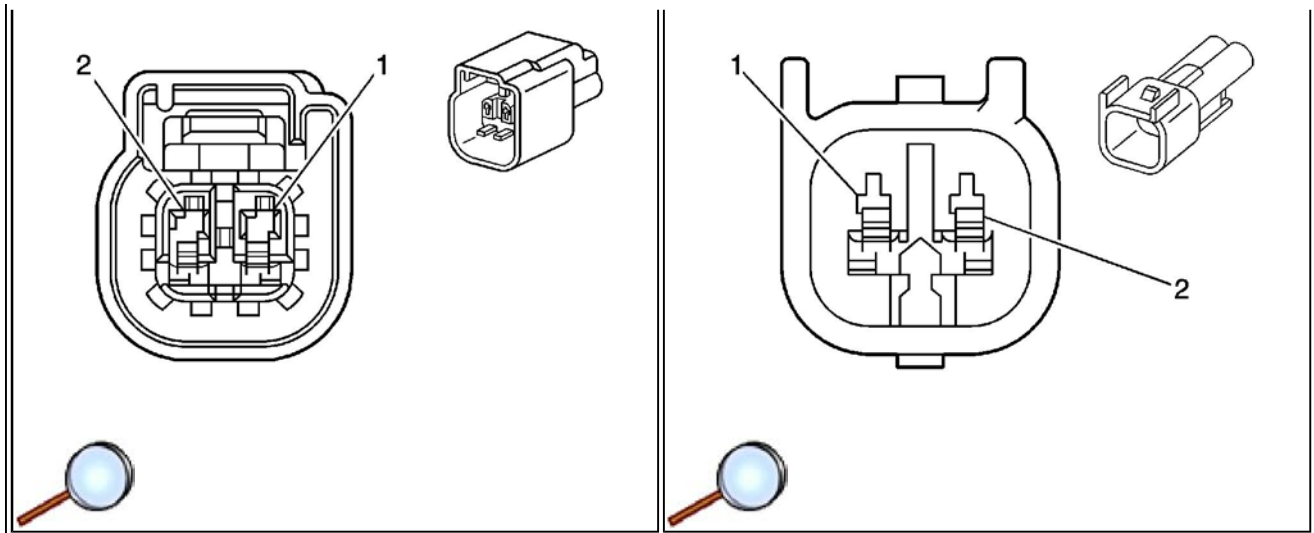
- | Terminal/Tray: 7114-4102-08/9
- | Core/Insulation Crimp: E/1
- | Release Tool/Test Probe: 12094430/J-35616-3 (GY)

C159 Engine Harness to Wheel Speed Sensor Harness

Pin	Wire Color	Circuit No.	Function	Pin	Wire Color	Circuit No.	Function
1	YE	873	Left Front Wheel Speed Sensor Low Reference	1	YE	873	Left Front Wheel Speed Sensor Low Reference
2	L-BU	830	Wheel Speed Sensor Signal Left Front	2	L-BU	830	Wheel Speed Sensor Signal Left Front

C160 Engine Harness to Wheel Speed Sensor Harness

--	--



Connector Part Information

- | OEM: E-5069
- | Service: 88989058
- | Description: 2-Way F Sleeve Assembly Wire Connector, Sealed (BK)

Terminal Part Information

- | Terminal/Tray: 7116-4102-08/9
- | Core/Insulation Crimp: E/1
- | Release Tool/Test Probe: 12094430/J-35616-2A (GY)

Connector Part Information

- | OEM: E-5067
- | Service: 88988056
- | Description: 2-Way M Sleeve Assembly Wire Connector (BK)

Terminal Part Information

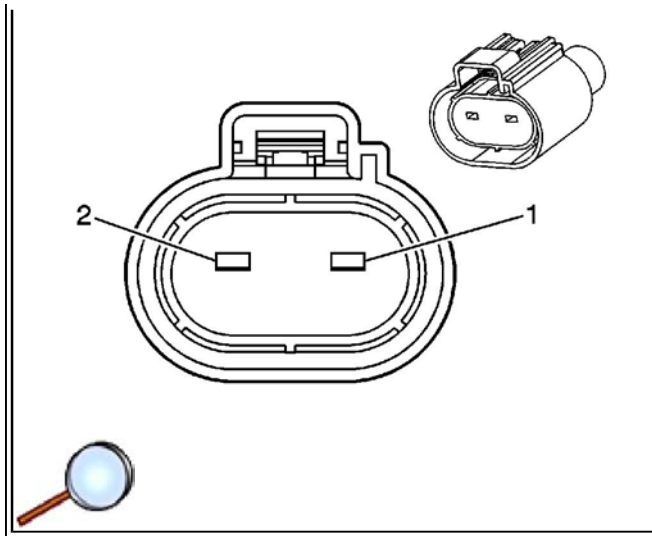
- | Terminal/Tray: 7114-4102-08/9
- | Core/Insulation Crimp: E/1
- | Release Tool/Test Probe: 12094430/J-35616-3 (GY)

C160 Engine Harness to Wheel Speed Sensor Harness

Pin	Wire Color	Circuit No.	Function	Pin	Wire Color	Circuit No.	Function
1	TN	833	Wheel Speed Sensor Low Reference Right Front	1	YE	833	Wheel Speed Sensor Low Reference Right Front
2	D-GN	872	Wheel Speed Sensor Signal Right Front	2	L-BU	872	Wheel Speed Sensor Signal Right Front

C166 Forward Lamp Harness to Instrument Panel Harness

--	--

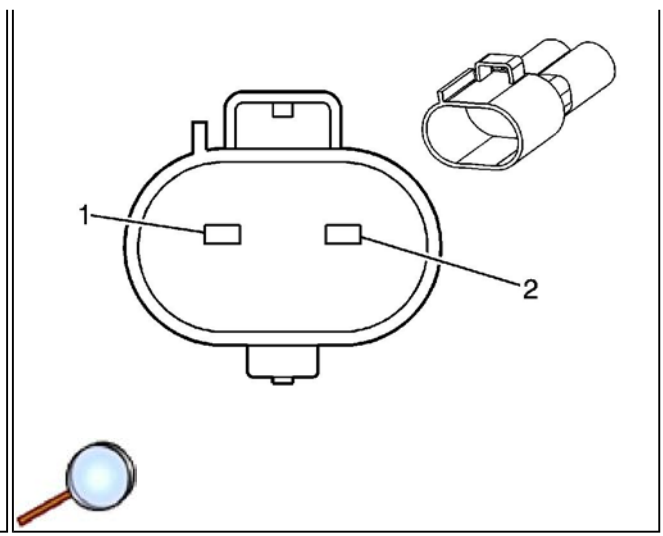


Connector Part Information

- | OEM: E-5718-000
- | Service: 88988060
- | Description: 2-Way F Sealed (BK)

Terminal Part Information

- | Pins: 2
- | Terminal/Tray: 7116-3250/10
- | Core/Insulation Crimp: G/3
- | Release Tool/Test Probe: 12094430/J-35616-22 (RD)



Connector Part Information

- | OEM: E-5721-000
- | Service: 88988061
- | Description: 2-Way M Sealed (BK)

Terminal Part Information

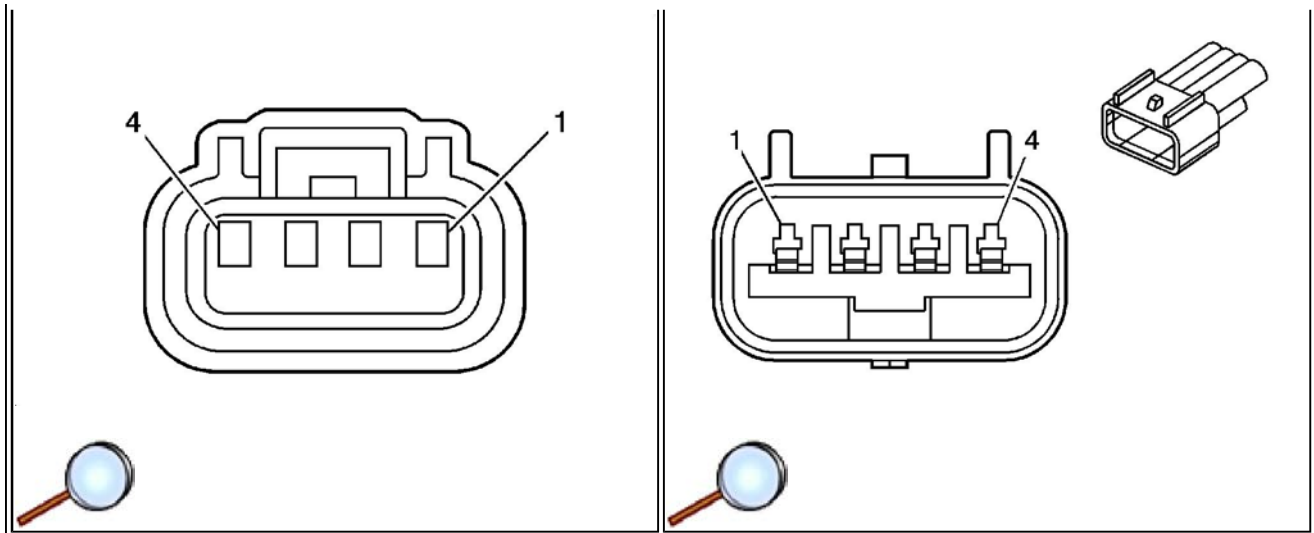
- | Pins: 2
- | Terminal/Tray: 7114-3250/14
- | Core/Insulation Crimp: G/3
- | Release Tool/Test Probe: 12094430/J-35616-21 (RD)

C166 Forward Lamp Harness to Instrument Panel Harness

Pin	Wire Color	Circuit No.	Function	Pin	Wire Color	Circuit No.	Function
1	--	--	Not Used	1	--	--	Not Used
2	RD/BK	342	Battery Positive Voltage	2	RD/BK	342	Battery Positive Voltage

C168 Transmission Harness to Forward Lamp Harness (F55)

--	--



Connector Part Information

- | OEM: E-3166-000
- | Service: 89047115
- | Description: 4-Way F (NA)

Terminal Part Information

- | Terminal/Tray: See Terminal Repair Kit
- | Core/Insulation Crimp: See Terminal Repair Kit
- | Release Tool/Test Probe: See Terminal Repair Kit

Connector Part Information

- | OEM: E-5345-002
- | Service: 89047087
- | Description: 4-Way M (NA)

Terminal Part Information

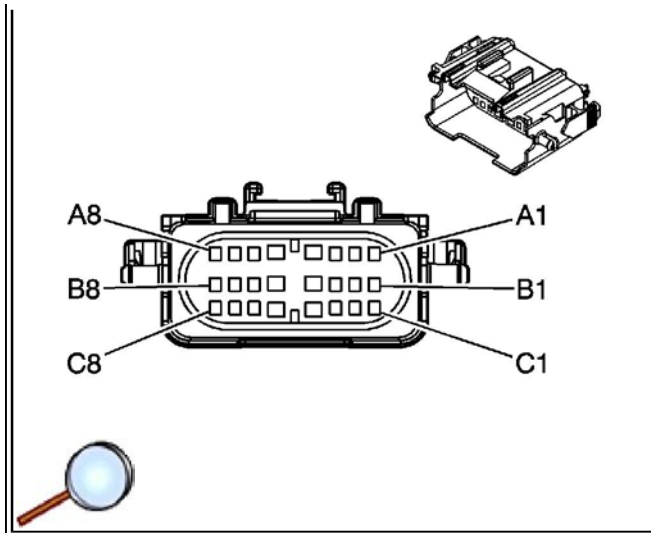
- | Terminal/Tray: 7114-4103-08/9
- | Core/Insulation Crimp: E/1
- | Release Tool/Test Probe: 12094430/J-35616-3 (GY)

C168 Transmission Harness to Forward Lamp Harness (F55)

Pin	Wire Color	Circuit No.	Function	Pin	Wire Color	Circuit No.	Function
1	L-BU/WH	1107	Left Front Damper Control	1	L-BU/WH	1107	Left Front Damper Control
2	GY	1113	Left Front Damper Low Reference	2	GY	1113	Left Front Damper Low Reference
3	L-BU/WH	1116	Right Front Damper Control	3	L-BU/WH	1116	Right Front Damper Control
4	GY	1117	Right Front Damper Low Reference	4	GY	1117	Right Front Damper Low Reference

C180 Engine Harness to I/P Harness

--	--



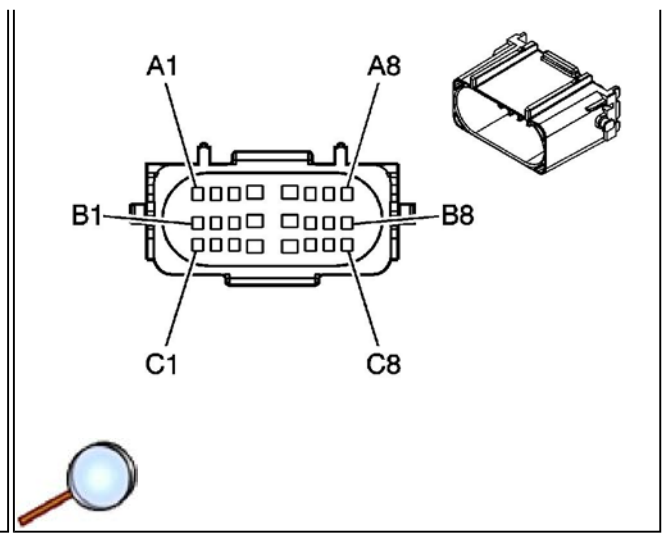
Connector Part Information

- | OEM: 15366099
- | Service: 15366099
- | Description: 24-Way F GT 150, 280 Mixed Series, Sealed (BK)

Terminal Part Information

- | Pins: A1-A3, A6-A8, B1-B3, B6-B8, C1-C3, C6-C8
- | Terminal/Tray: 12191819/8
- | Core/Insulation Crimp: E/A
- | Release Tool/Test Probe: 15315247/J-35616-2A (GY)

- | Pins: A4, B4, B5, C4, C5
- | Terminal/Tray: 15304719/19
- | Core/Insulation Crimp: E/5
- | Release Tool/Test Probe: 15315247/J-35616-4A (PU)



Connector Part Information

- | OEM: 15336173
- | Service: 89047535
- | Description: 24-Way M GT 150, 280 Mixed Series (BK)

Terminal Part Information

- | Pins: A1-A3, A6-A8, B1-B3, B6-B8, C1-C3, C6-C8
- | Terminal/Tray: 15326269/19
- | Core/Insulation Crimp: E/4
- | Release Tool/Test Probe: 15315247/J-35616-3 (GY)

- | Pins: A4, B4, B5, C4, C5
- | Terminal/Tray: 15304731/19
- | Core/Insulation Crimp: See Terminal Repair Kit
- | Release Tool/Test Probe: 15315247/J-35616-5 (PU)

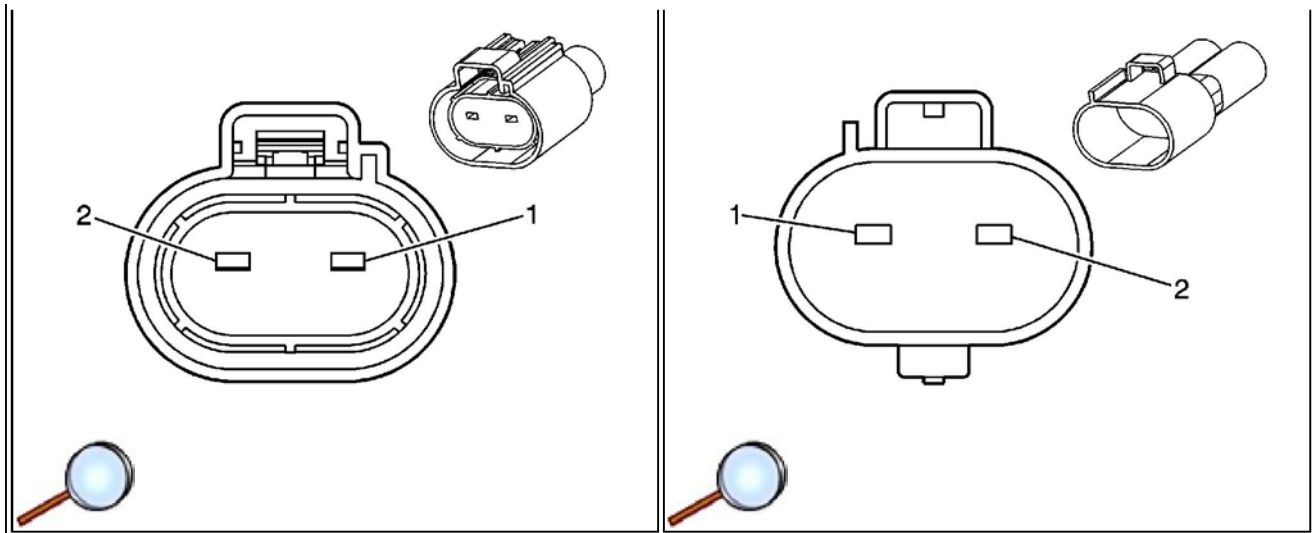
C180 Engine Harness to I/P Harness

Pin	Wire Color	Circuit No.	Function	Pin	Wire Color	Circuit No.	Function
A1	BK/WH	1851	Signal Ground	A1	BK/WH	1851	Signal Ground
A2	YE	1834	SIR Forward Sensor Signal (1)	A2	YE	1834	SIR Forward Sensor Signal (1)
A3	GY	2260	SIR Forward Sensor Low Reference	A3	GY	2260	SIR Forward Sensor Low Reference
A4	YE	2160	SIR Forward Sensor Signal (2)	A4	YE	2160	SIR Forward Sensor Signal (2)

A5	--	--	Not Used	A5	--	--	Not Used
A6	L-GN/BK	1338	Yaw Rate Sensor Signal (2)	A6	L-GN/BK	1338	Yaw Rate Sensor Signal (2)
A7	L-BU	1764	Steering Wheel Position Signal B	A7	L-BU	1764	Steering Wheel Position Signal B
A8	D-BU	716	Yaw Rate Sensor Signal (1)	A8	D-BU	716	Yaw Rate Sensor Signal (1)
B1	PU	5526	Remote Shift Selector Signal (MYC)	B1	PU	5526	Remote Shift Selector Signal (MYC)
	D-BU	75	Park/Reverse Switch Supply Voltage (MM6/MZ6)		D-BU	75	Park/Reverse Switch Supply Voltage (MM6/MZ6)
B2	TN	1274	5-Volt Reference 1	B2	TN	1274	5-Volt Reference 1
B3	L-BU	1162	Accelerator Pedal Position Signal (2)	B3	L-BU	1162	Accelerator Pedal Position Signal (2)
B4	L-GN	1763	Steering Wheel Position Signal A	B4	L-GN	1763	Steering Wheel Position Signal A
B5	PU	1272	Accelerator Pedal Position Low Reference (2)	B5	PU	1272	Accelerator Pedal Position Low Reference (2)
B6	D-BU	1161	Accelerator Pedal Position Signal (1)	B6	D-BU	1161	Accelerator Pedal Position Signal (1)
B7	L-GN	5007	Backup Lamp Switch Signal (MM6/MZ6)	B7	L-GN	5007	Backup Lamp Switch Signal (MM6/MZ6)
B8	GY	48	CPP Switch Signal (MM6/MZ6)	B8	GY	48	CPP Switch Signal (MM6/MZ6)
C1	BN	1271	Accelerator Pedal Position Low Reference (1)	C1	BN	1271	Accelerator Pedal Position Low Reference (1)
C2	WH/BK	1164	5-Volt Reference 2	C2	WH/BK	1164	5-Volt Reference 2
C3	TN/BK	2500	High Speed GMLAN Serial Data Bus +	C3	TN/BK	2500	High Speed GMLAN Serial Data Bus +
C4	TN	470	Low Reference	C4	TN	470	Low Reference
C5	D-GN/WH	357	Oil Temperature Sensor Signal	C5	D-GN/WH	357	Oil Temperature Sensor Signal
C6	TN	2501	High Speed GMLAN Serial Data Bus -	C6	TN	2501	High Speed GMLAN Serial Data Bus -
C7	L-BU	2182	Reverse Lamp Relay Control (MM6/MZ6)	C7	L-BU	2182	Reverse Lamp Relay Control (MM6/MZ6)
C8	PK	1439	Ignition 1 Voltage (MM6/MZ6)	C8	PK	1439	Ignition 1 Voltage (MM6/MZ6)

C182 I/P Harness to Engine Harness

--	--



Connector Part Information

- | OEM: E-5718-000
- | Service: 88988060
- | Description: 2-Way F 950 L-Type Series, Sealed (BK)

Connector Part Information

- | OEM: E-5721-000
- | Service: 88988061
- | Description: 2-Way M GT 150 Series, Sealed 4.0 150 950 L-Type Series, Sealed (BK)

Terminal Part Information

- | Pins: 1
- | Terminal/Tray: 7116-3250/10
- | Core/Insulation Crimp: G/3
- | Release Tool/Test Probe: 12094430/J-35616-22 (RD)

Terminal Part Information

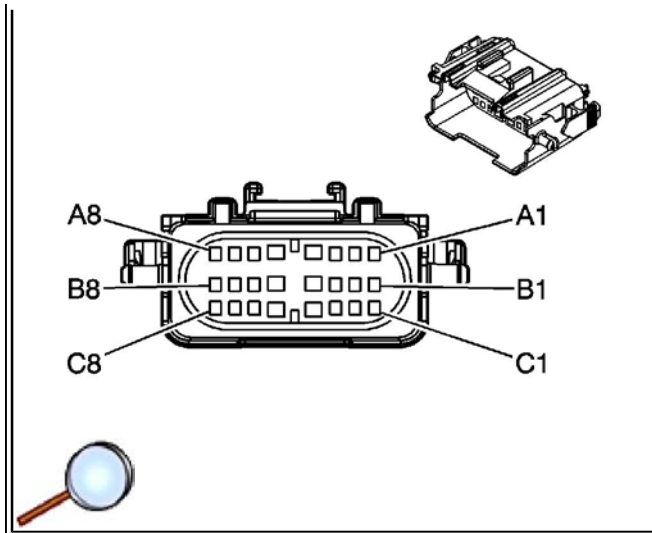
- | Pins: 1
- | Terminal/Tray: 7114-3250/14
- | Core/Insulation Crimp: G/3
- | Release Tool/Test Probe: 12094430/J-35616-21 (RD)

C182 I/P Harness to Engine Harness

Pin	Wire Color	Circuit No.	Function	Pin	Wire Color	Circuit No.	Function
1	RD/BK	1442	Battery Positive Voltage	1	RD/BK	1442	Battery Positive Voltage
2	--	--	Not Used	2	--	--	Not Used

C184 Transmission Harness to Engine Harness (MM6/MZ6 w/o F55)

--	--



Connector Part Information

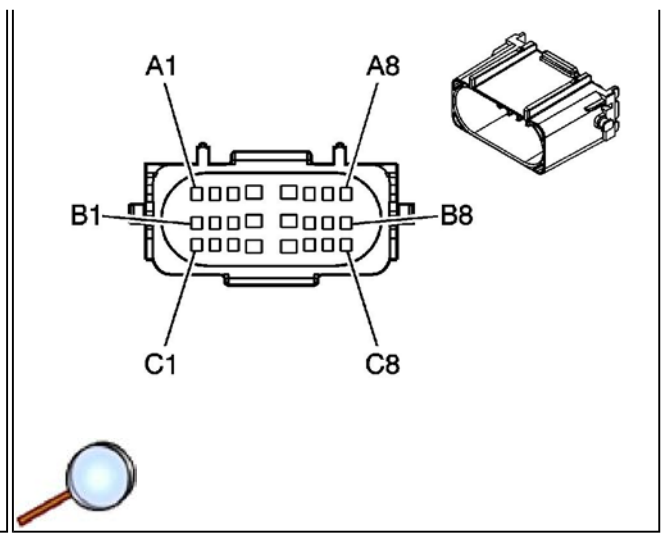
- | OEM: 15366099
- | Service: 15366099
- | Description: 24-Way F GT 150, 280 Series, Sealed (BK)

Terminal Part Information

- | Pins: A1-A3, A6-A8, B1-B3, B6-B8, C1-C3, C6
- | Terminal/Tray: 12191819/8
- | Core/Insulation Crimp: E/A
- | Release Tool/Test Probe: 15315247/J-35616-2A (GY)

- | Pins: A5, B5, C4, C5
- | Terminal/Tray: 15304719/19
- | Core/Insulation Crimp: 2/5
- | Release Tool/Test Probe: 15315247/J-35616-4A (PU)

- | Pins: A4, B4
- | Terminal/Tray: 15304720/19
- | Core/Insulation Crimp: Pins: A4 : 4/5
- | Core/Insulation Crimp: Pins: B4 : See Terminal Repair Kit
- | Release Tool/Test Probe: 15315247/J-35616-4A (PU)



Connector Part Information

- | OEM: 15336173
- | Service: 89047535
- | Description: 24-Way M GT 150, 280 Series, Sealed (BK)

Terminal Part Information

- | Pins: A1-A3, A6-A8, B1-B3, B6-B8, C1-C3, C6
- | Terminal/Tray: 15326269/19
- | Core/Insulation Crimp: E/4
- | Release Tool/Test Probe: 15315247/J-35616-3 (GY)

- | Pins: A5, B5, C4, C5
- | Terminal/Tray: 15304731/19
- | Core/Insulation Crimp: See Terminal Repair Kit
- | Release Tool/Test Probe: 15315247/J-35616-5 (PU)

- | Pins: A4, B4
- | Terminal/Tray: 15304732/8
- | Core/Insulation Crimp: Pins: A4 : A/5
- | Core/Insulation Crimp: Pins: B4 : See Terminal Repair Kit
- | Release Tool/Test Probe: 15315247/J-35616-5 (PU)

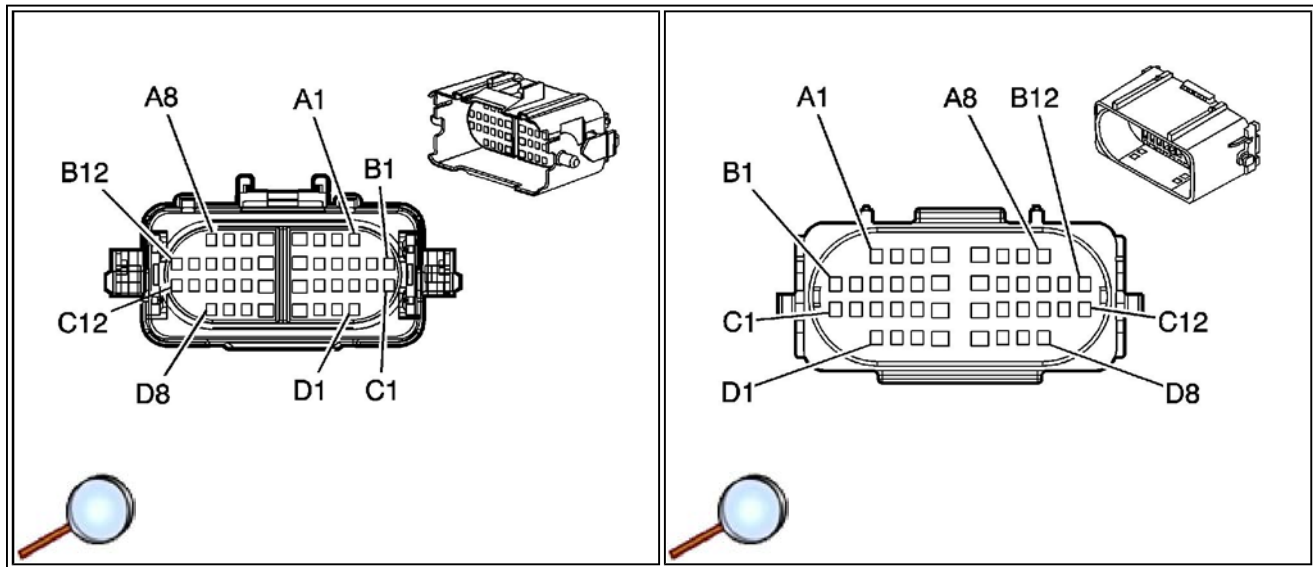
C184 Transmission Harness to Engine Harness (MM6/MZ6 w/o F55)

	Wire	Circuit			Wire	Circuit
--	------	---------	--	--	------	---------

Pin	Color	No.	Function	Pin	Color	No.	Function
A1	PK	239	Ignition 1 Voltage (JL5)	A1	PK	239	Ignition 1 Voltage
A2	YE	400	VSS High Signal	A2	YE	400	VSS High Signal
A3	L-BU	1937	Fuel Level Sensor Signal-Secondary	A3	L-BU	1937	Fuel Level Sensor Signal-Secondary
A4	GY	120	Fuel Pump Supply Voltage	A4	GY	120	Fuel Pump Supply Voltage
A5	OG	885	Left Rear Wheel Speed Sensor Low Reference	A5	OG	885	Left Rear Wheel Speed Sensor Low Reference
A6	D-GN	890	Fuel Tank Pressure Sensor Signal	A6	D-GN	890	Fuel Tank Pressure Sensor Signal
A7	D-BU	75	RAP Relay Switch Supply Voltage	A7	D-BU	75	RAP Relay Switch Supply Voltage
A8	GY	2709	5-Volt Reference 1	A8	GY	2709	5-Volt Reference 1
B1	L-GN	1652	Reverse Lockout Solenoid Control	B1	L-GN	1652	Reverse Lockout Solenoid Control
B2	GY	587	Skip/Shift Solenoid Control (JL5)	B2	GY	587	Skip/Shift Solenoid Control
B3	PU	401	VSS Low Signal	B3	PU	401	VSS Low Signal
B4	RD/WH	2840	Battery Positive Voltage	B4	RD/WH	2840	Battery Positive Voltage
B5	WH	883	Right Rear Wheel Speed Sensor Low Reference	B5	WH	883	Right Rear Wheel Speed Sensor Low Reference
B6	OG/BK	586	Low Reference	B6	OG/BK	586	Low Reference
B7	TN/WH	585	TFT Sensor Signal	B7	TN/WH	585	TFT Sensor Signal
B8	L-GN	5007	Backup Lamp Switch Signal	B8	L-GN	5007	Backup Lamp Switch Signal
C1	L-BU	2182	Reverse Lamp Relay Control	C1	L-BU	2182	Reverse Lamp Relay Control
C2	TN	2759	Low Reference	C2	TN	2759	Low Reference
C3	WH	1310	EVAP Canister Vent Solenoid Control	C3	WH	1310	EVAP Canister Vent Solenoid Control
C4	TN	884	Left Rear Wheel Speed Sensor Signal	C4	TN	884	Left Rear Wheel Speed Sensor Signal
C5	BN	882	Right Rear Wheel Speed Sensor Signal	C5	BN	882	Right Rear Wheel Speed Sensor Signal
C6	D-BU	1936	Fuel Level Sensor Signal-Primary	C6	D-BU	1936	Fuel Level Sensor Signal-Primary
C7-C8	--	--	Not Used	C7-C8	--	--	Not Used

C184 Transmission Harness to Engine Harness

(MYC or MM6/MZ6 w/F55)



Connector Part Information

- | OEM: 15392711
- | Service: 15392711
- | Description: 40-Way F GT 150, 280 Series, Sealed (BU)

Terminal Part Information

- | Pins: A2, A3, A6-A8, B1-B3, B5, B8-B12, C1-C5, C8-C12, D1-D3, D6-D8
- | Terminal/Tray: 12191819/8
- | Core/Insulation Crimp: Pins: A2 : 2/A
- | Core/Insulation Crimp: Pins: A2, A3, A6-A8, B1-B3, B5, B8-B12, C1-C3, C4, C5, C8-C12, D1-D3, D6-D8 : E/A
- | Release Tool/Test Probe: 15315247/J-35616-2A (GY)
- | Pins: A4, B6
- | Terminal/Tray: 15304717/8
- | Core/Insulation Crimp: Pins: A4 : 4/1
- | Core/Insulation Crimp: Pins: B6 : C/1
- | Release Tool/Test Probe: 15315247/J-35616-4A (PU)
- | Pins: A5, B7, C6, D4, D5
- | Terminal/Tray: 15304716/8
- | Core/Insulation Crimp: 2/1
- | Release Tool/Test Probe: 15315247/J-35616-4A (PU)

Connector Part Information

- | OEM: 15392709
- | Service: 15392709
- | Description: 40-Way M GT 150 280 Series, Sealed 4.0 5.2 (BU)

Terminal Part Information

- | Pins: A2, A3, A6-A8, B1-B3, B5, B8-B12, C1-C5, C8-C12, D1-D3, D6-D8
- | Terminal/Tray: 15326269/19
- | Core/Insulation Crimp: Pins: A2 : E/1
- | Core/Insulation Crimp: Pins: A2, A3, A6-A8, B1-B3, B5, B8-B12, C1-C5, C8-C12, D1-D3, D6-D8 : E/4
- | Release Tool/Test Probe: 15315247/J-35616-3 (GY)
- | Pins: A4, C6
- | Terminal/Tray: 15304729/8
- | Core/Insulation Crimp: C/1
- | Release Tool/Test Probe: 15315247/J-35616-5 (PU)
- | Pins: A5, B6, B7, D4, D5
- | Terminal/Tray: 15304728/8
- | Core/Insulation Crimp: Pins: A5, B7, D4, D5 : See Terminal Repair Kit
- | Core/Insulation Crimp: Pins: B6 : 2/1
- | Release Tool/Test Probe: 15315247/J-

35616-5 (PU)

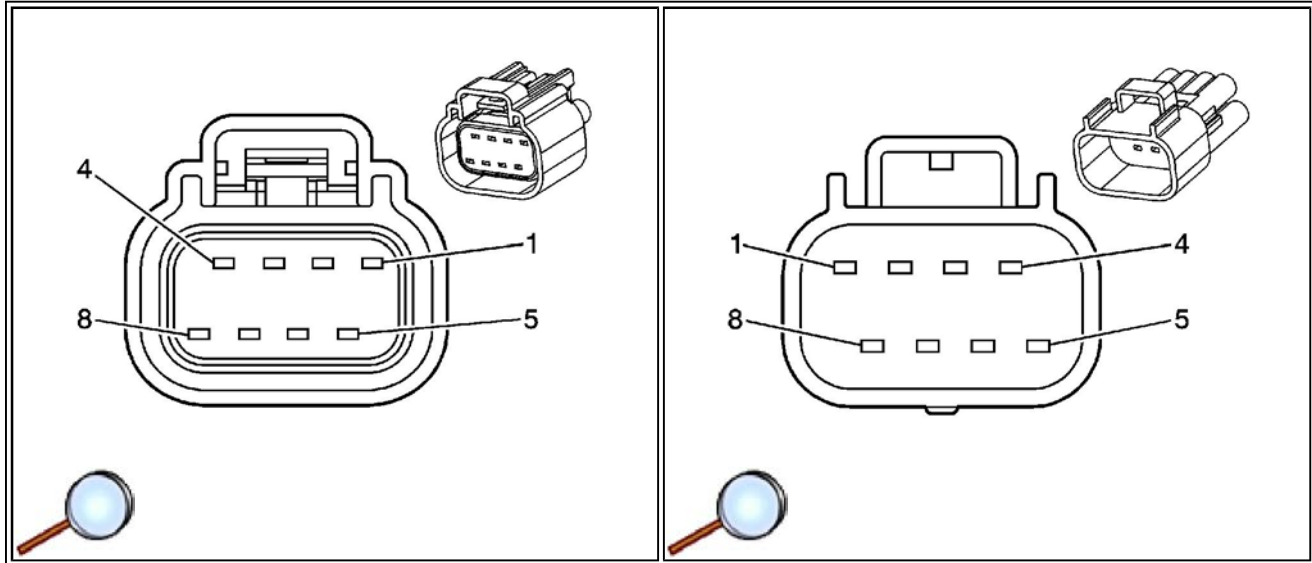
C184 Transmission Harness to Engine Harness (MYC or MM6/MZ6 w/F55)

Pin	Wire Color	Circuit No.	Function	Pin	Wire Color	Circuit No.	Function
A1	--	--	Not Used	A1	--	--	Not Used
A2	RD/WH	2440	Battery Positive Voltage (MYC)	A2	RD/WH	2440	Battery Positive Voltage (MYC)
	PK	239	Ignition 1 Voltage (MM6/MZ6 w/JL5)		PK	239	Ignition 1 Voltage (MM6/MZ6)
A3	YE	43	Accessory Voltage (MYC)	A3	YE	43	Accessory Voltage (MYC)
A4	GY	120	Fuel Pump Supply Voltage	A4	GY	120	Fuel Pump Supply Voltage
A5	OG	885	Left Rear Wheel Speed Sensor Low Reference	A5	OG	885	Left Rear Wheel Speed Sensor Low Reference
A6	WH	17	Stop Lamp Switch Signal (MYC)	A6	WH	17	Stop Lamp Switch Signal (MYC)
A7	PK	1339	Ignition 1 Voltage (MYC)	A7	PK	1339	Ignition 1 Voltage (MYC)
A8	PU	5526	Starter Relay Coil Supply Voltage (MYC)	A8	PU	5526	Starter Relay Coil Supply Voltage (MYC)
	YE	400	VSS High Signal (MM6/MZ6)		YE	400	VSS High Signal (MM6/MZ6)
B1	PU/WH	1211	Right Front Suspension Position Sensor Voltage Reference (F55)	B1	PU/WH	1211	Right Front Suspension Position Sensor Voltage Reference (F55)
B2	TN/WH	1213	Right Front Suspension Position Sensor Signal (F55)	B2	TN/WH	1213	Right Front Suspension Position Sensor Signal (F55)
B3	L-BU	1937	Fuel Level Sensor Signal-Secondary	B3	L-BU	1937	Fuel Level Sensor Signal-Secondary
B4	--	--	Not Used	B4	--	--	Not Used
B5	D-GN	890	Fuel Tank Pressure Sensor Signal	B5	D-GN	890	Fuel Tank Pressure Sensor Signal
B6	RD/WH	2840	Battery Positive Voltage	B6	RD/WH	2840	Battery Positive Voltage
B7	WH	883	Right Rear Wheel Speed Sensor Low Reference	B7	WH	883	Right Rear Wheel Speed Sensor Low Reference
B8	OG/BK	1786	Park/Neutral Signal (MYC)	B8	OG/BK	1786	Park/Neutral Signal (MYC)
	D-BU	75	RAP Relay Switch Supply Voltage (MM6/MZ6)		D-BU	75	RAP Relay Switch Supply Voltage (MM6/MZ6)

B9	GY	2709	5-Volt Reference 1	B9	GY	2709	5-Volt Reference 1
B10	TN/BK	2500	High Speed GMLAN Serial Data (+)	B10	TN/BK	2500	High Speed GMLAN Serial Data (+)
B11	L-BU/BK	1212	Right Front Suspension Position Sensor Low Reference (F55)	B11	L-BU/BK	1212	Right Front Suspension Position Sensor Low Reference (F55)
B12	TN/BK	2500	High Speed GMLAN Serial Data (+)	B12	TN/BK	2500	High Speed GMLAN Serial Data (+)
C1	PU/WH	1205	Left Front Suspension Position Sensor Voltage Reference (F55)	C1	PU/WH	1205	Left Front Suspension Position Sensor Voltage Reference (F55)
C2	TN/WH	1207	Left Front Suspension Position Sensor Signal (F55)	C2	TN/WH	1207	Left Front Suspension Position Sensor Signal (F55)
C3	L-GN	1652	Reverse Lockout Solenoid Control (MM6/MZ6 w/F55)	C3	L-GN	1652	Reverse Lockout Solenoid Control (MM6/MZ6 w/F55)
C4	GY	587	Skip/Shift Solenoid Control (MM6/MZ6 w/JL5)	C4	GY	587	Skip/Shift Solenoid Control (MM6/MZ6 w/JL5)
C5	PU	401	VSS Low Signal (MM6/MZ6 w/F55)	C5	PU	401	VSS Low Signal (MM6/MZ6 w/F55)
C6	BK/WH	451	Ground (M32)	C6	BK/WH	451	Ground (MYC)
C7	--	--	Not Used	C7	--	--	Not Used
C8	PK	1239	Ignition 1 Voltage (F55)	C8	PK	1239	Ignition 1 Voltage (F55)
C9	OG/BK	586	Low Reference (KNP)	C9	OG/BK	586	Low Reference (KNP)
C10	TN	2501	High Speed GMLAN Serial Data (-)	C10	TN	2501	High Speed GMLAN Serial Data (-)
C11	TN/WH	585	TFT Sensor Signal (KNP)	C11	TN/WH	585	TFT Sensor Signal (KNP)
C12	TN	2501	High Speed GMLAN Serial Data (-)	C12	TN	2501	High Speed GMLAN Serial Data (-)
D1	L-GN	5007	Backup Lamp Switch Signal (MM6/MZ6 w/F55)	D1	L-GN	5007	Backup Lamp Switch Signal (MM6/MZ6 w/F55)
D2	L-BU/BK	1206	Left Front Suspension Position Sensor Low Reference (F55)	D2	L-BU/BK	1206	Left Front Suspension Position Sensor Low Reference (F55)
D3	L-BU	2182	Reverse Lamp Relay Control (MM6/MZ6 w/F55)	D3	L-BU	2182	Reverse Lamp Relay Control (MM6/MZ6 w/F55)
D4	TN	884	Left Rear Wheel Speed Sensor Signal	D4	TN	884	Left Rear Wheel Speed Sensor Signal
D5	BN	882	Right Rear Wheel Speed Sensor Signal	D5	BN	882	Right Rear Wheel Speed Sensor Signal

D6	TN	2759	Low Reference	D6	TN	2759	Low Reference
D7	WH	1310	EVAP Canister Vent Solenoid Control	D7	WH	1310	EVAP Canister Vent Solenoid Control
D8	D-BU	1936	Fuel Level Sensor Signal-Primary	D8	D-BU	1936	Fuel Level Sensor Signal-Primary

C186 Engine Harness to Forward Lamp Harness (Y07/Y67)



Connector Part Information

- | OEM: E-5225-001
- | Service: 88988066
- | Description: 8-Way F (BK)

Connector Part Information

- | OEM: E-5222-002
- | Service: 88988067
- | Description: 8-Way M (BK)

Terminal Part Information

- | Terminal/Tray: 7116-4102-08/9
- | Core/Insulation Crimp: E/1
- | Release Tool/Test Probe: 12094430/J-35616-2A (GY)

Terminal Part Information

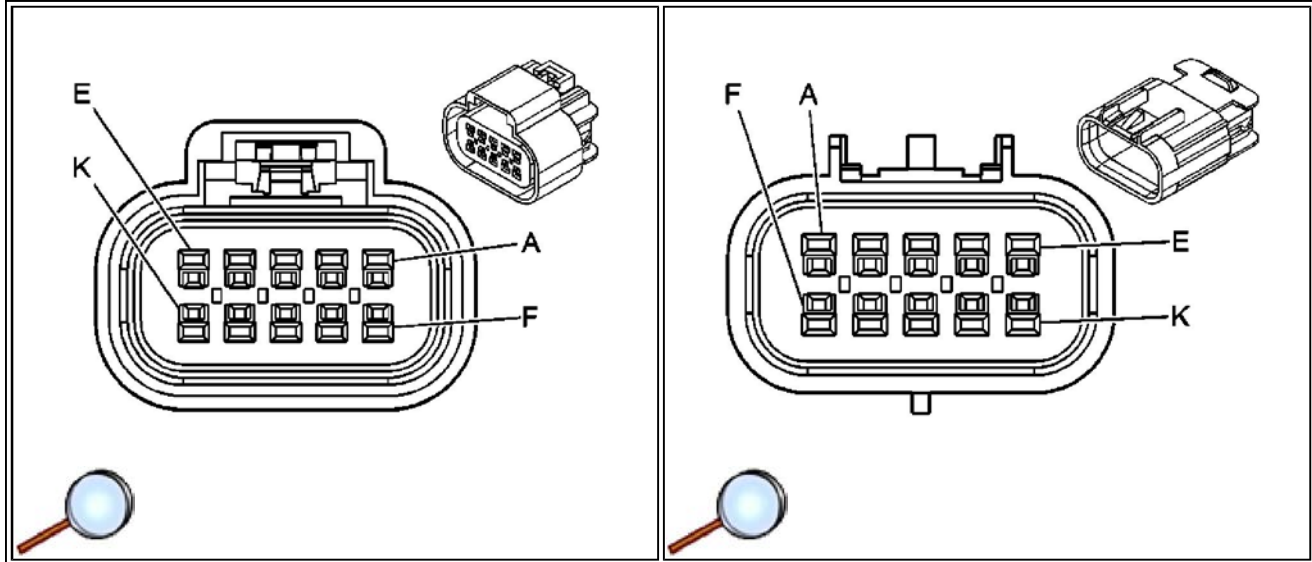
- | Pins: 1-4
- | Terminal/Tray: 7114-4102-08/9
- | Core/Insulation Crimp: E/1
- | Release Tool/Test Probe: 12094430/J-35616-3 (GY)
- | Pins: 5-8
- | Terminal/Tray: 7114-4103-08/9
- | Core/Insulation Crimp: E/1
- | Release Tool/Test Probe: 12094430/J-35616-3 (GY)

C186 Engine Harness to Forward Lamp Harness

(Y07/Y67)

Pin	Wire Color	Circuit No.	Function	Pin	Wire Color	Circuit No.	Function
1	GY	2700	5-Volt Reference 1	1	GY	2700	5-Volt Reference 1
2	BK/WH	2751	Low Reference	2	BK/WH	2751	Low Reference
3	OG/BK	380	A/C Refrigerant Pressure Sensor Signal	3	OG/BK	380	A/C Refrigerant Pressure Sensor Signal
4	D-GN	335	Cooling Fan Speed Control	4	G-GN	335	Cooling Fan Speed Control
5	YE	1834	Front End Sensor Voltage - Left	5	YE	1834	Front End Sensor Voltage - Left
6	BK/WH	1851	Front End Sensor Signal - Left	6	BK/WH	1851	Front End Sensor Signal - Left
7	YE	2160	Front End Sensor Voltage - Right	7	YE	2160	Front End Sensor Voltage - Right
8	GY	2260	Front End Sensor Signal - Right	8	GY	2260	Front End Sensor Signal - Right

C186 Engine Harness to Forward Lamp Harness (Y87 Late Production w/T90)



Connector Part Information

- | OEM: 15326842
- | Service: 15326842
- | Description: 10-Way F GT 150 Series, Sealed (BK)

Connector Part Information

- | OEM: 15326847
- | Service: 15326847
- | Description: 10-Way M GT 150 Series, Sealed (BK)

Terminal Part

Information

Terminal Part Information

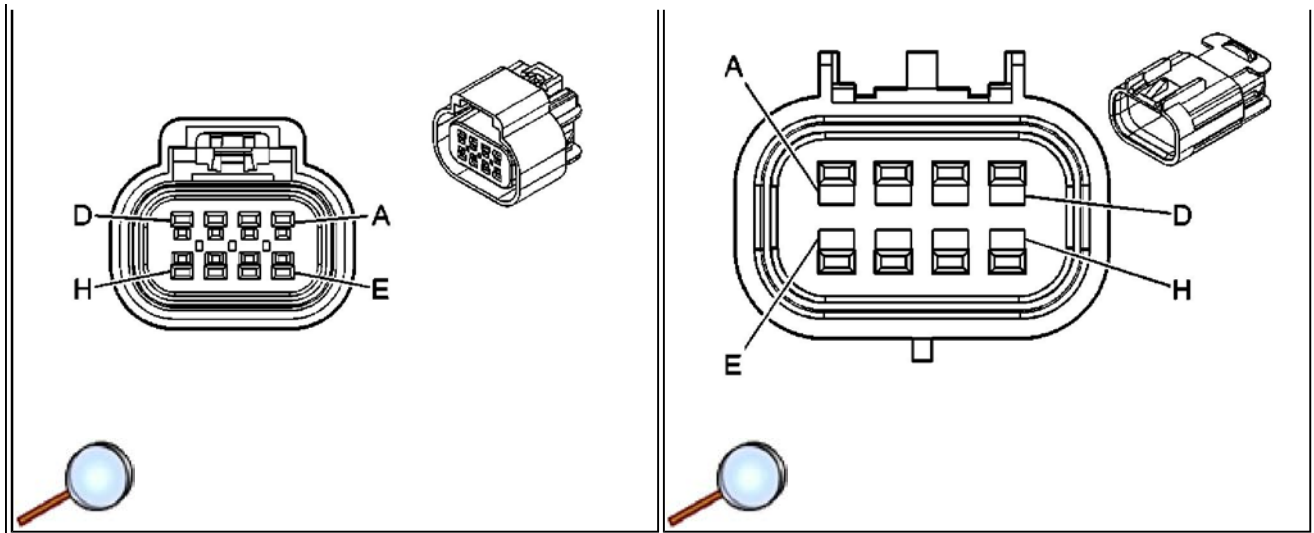
- | Terminal/Tray: 12191819/8
 - | Core/Insulation Crimp: E/A
 - | Release Tool/Test Probe: 15315247/J-35616-2A (GY)
- | Pins: A-K
 - | Terminal/Tray: 15326269/19
 - | Core/Insulation Crimp: Pins: E-H : E/1
 - | Core/Insulation Crimp: Pins: A-D, J, K : E/4
 - | Release Tool/Test Probe: 15315247/J-35616-3 (GY)

C186 Engine Harness to Forward Lamp Harness (Y87 Late Production w/T90)

Pin	Wire Color	Circuit No.	Function	Pin	Wire Color	Circuit No.	Function
A	GY	2700	5-Volt Reference 1	A	GY	2700	5-Volt Reference 1
B	BK/WH	2751	Low Reference	B	BK/WH	2751	Low Reference
C	OG/BK	380	A/C Refrigerant Pressure Sensor Signal	C	OG/BK	380	A/C Refrigerant Pressure Sensor Signal
D	D-GN	335	Low Speed Cooling Fan Relay Control	D	D-GN	335	Low Speed Cooling Fan Relay Control
E	YE	1834	Front End Sensor Voltage - Left	E	YE	1834	Front End Sensor Voltage - Left
F	BK/WH	1851	Front End Sensor Signal - Left	F	BK/WH	1851	Front End Sensor Signal - Left
G	YE	2160	Front End Sensor Voltage - Right	G	YE	2160	Front End Sensor Voltage - Right
H	GY	2260	Front End Sensor Signal - Right	H	GY	2260	Front End Sensor Signal - Right
J	D-BU/WH	1315	Right Front Turn Signal Lamp Supply Voltage	J	D-BU/WH	1315	Right Front Turn Signal Lamp Supply Voltage
K	BK	1250	Ground	K	BK	1250	Ground

C186 Engine Harness to Forward Lamp Harness (Y87 w/o T90, Early Production w/T90)

--	--



Connector Part Information

- | OEM: 15326835
- | Service: 88986452
- | Description: 8-Way F GT 150 Series, Sealed (BK)

Connector Part Information

- | OEM: 15326840
- | Service: See Catalog
- | Description: 8-Way M GT 150 Series, Sealed (BK)

Terminal Part Information

- | Terminal/Tray: 12191819/8
- | Core/Insulation Crimp: E/A
- | Release Tool/Test Probe: 15315247/J-35616-2A (GY)

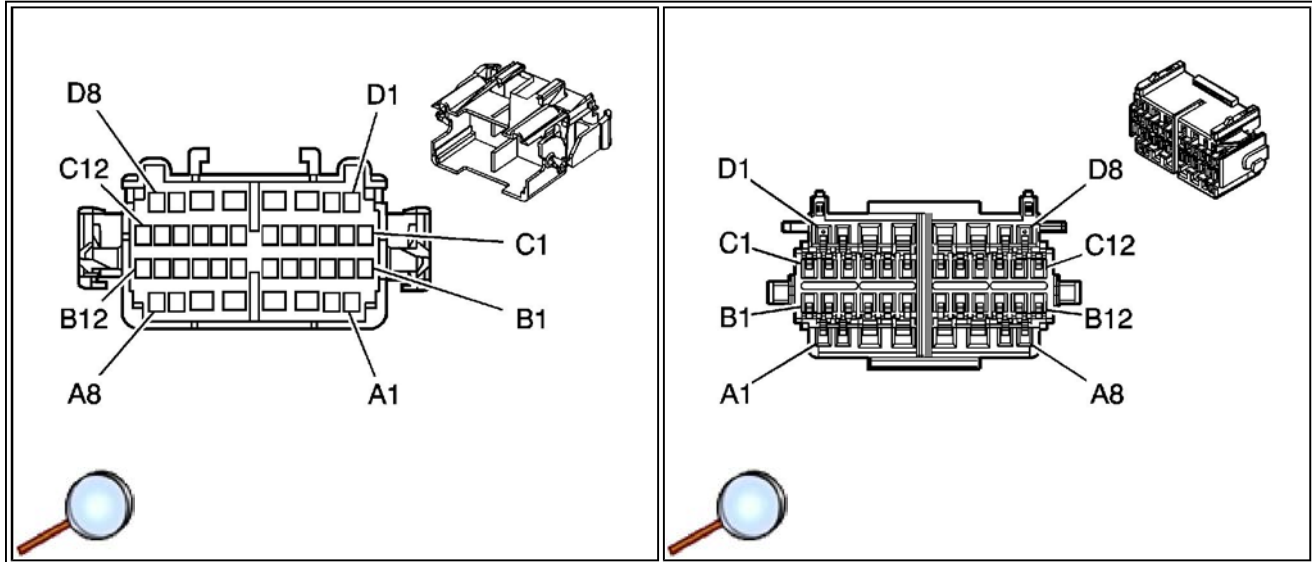
- | Pins: A-H
- | Terminal/Tray: 15326269/19
- | Core/Insulation Crimp: Pins: E-H : E/1
- | Core/Insulation Crimp: Pins: A-D : E/4
- | Release Tool/Test Probe: 15315247/J-35616-3 (GY)

C186 Engine Harness to Forward Lamp Harness (Y87 w/o T90, Early Production w/T90)

Pin	Wire Color	Circuit No.	Function	Pin	Wire Color	Circuit No.	Function
A	GY	2700	5-Volt Reference 1	A	GY	2700	5-Volt Reference 1
B	BK/WH	2751	Low Reference	B	BK/WH	2751	Low Reference
C	OG/BK	380	A/C Refrigerant Pressure Sensor Signal	C	OG/BK	380	A/C Refrigerant Pressure Sensor Signal
D	D-GN	335	Low Speed Cooling Fan Relay Control	D	D-GN	335	Low Speed Cooling Fan Relay Control
E	YE	1834	Front End Sensor Voltage - Left	E	YE	1834	Front End Sensor Voltage - Left
F	BK/WH	1851	Front End Sensor Signal - Left	F	BK/WH	1851	Front End Sensor Signal - Left
			Front End Sensor				Front End Sensor

G	YE	2160	Voltage - Right	G	YE	2160	Voltage - Right
H	GY	2260	Front End Sensor Signal - Right	H	GY	2260	Front End Sensor Signal - Right

C231 Steering Column Harness to I/P Harness



Connector Part Information

- | OEM: 15359287
- | Service: 89046969
- | Description: 40-Way F GT 150, 280 Series (BK)

Terminal Part Information

- | Pins: A2-A7, B3, B6-B12, C1-C8, C10-C12, D1-D8
- | Terminal/Tray: See Terminal Repair Kit
- | Core/Insulation Crimp: See Terminal Repair Kit
- | Release Tool/Test Probe: See Terminal Repair Kit

Connector Part Information

- | OEM: 15416976
- | Service: 89047197
- | Description: 40-Way M GT 150, 280 Series (BK)

Terminal Part Information

- | Pins: A2-A7, B3, B6-B12, C1-C8, C10-C12, D1-D8
- | Terminal/Tray: See Terminal Repair Kit
- | Core/Insulation Crimp: See Terminal Repair Kit
- | Release Tool/Test Probe: See Terminal Repair Kit

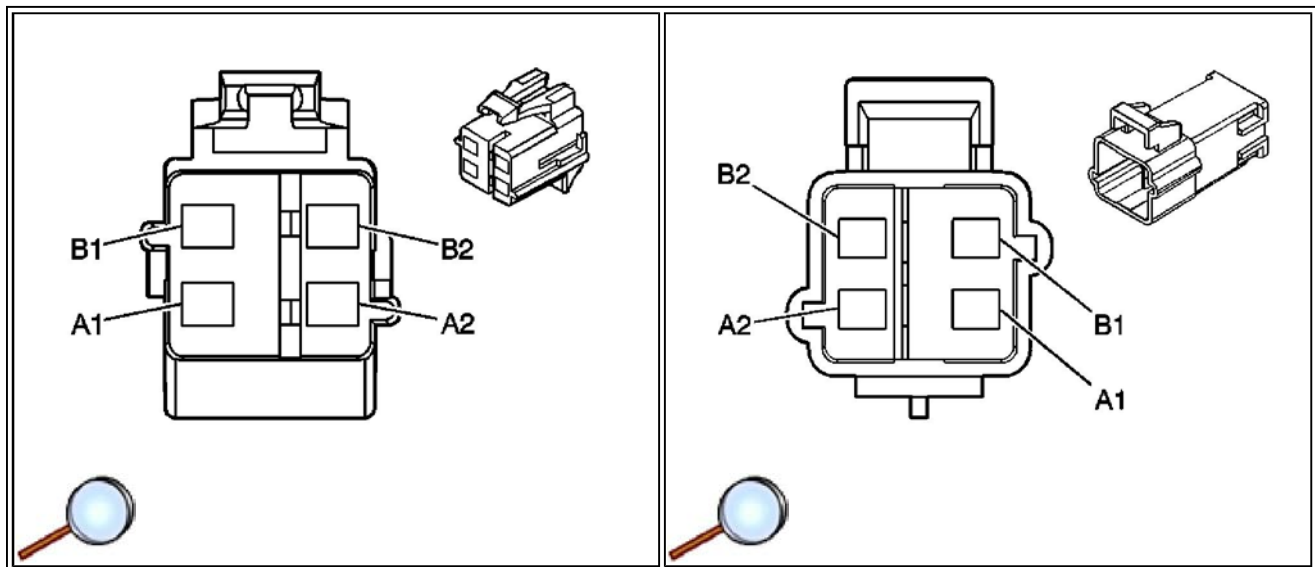
C231 I/P Harness to Steering Column Harness

Pin	Wire Color	Circuit No.	Function	Pin	Wire Color	Circuit No.	Function
A1	--	--	Not Used	A1	--	--	Not Used
A2	L-BU	1764	Steering Wheel Position Signal B	A2	L-BU	1764	Steering Wheel Position Signal B
A3	YE	143	Accessory Voltage	A3	YE	143	Accessory Voltage

A4	TN	2110	Steering Column Telescope Motor Control - Reverse	A4	TN	2110	Steering Column Telescope Motor Control - Reverse
A5	RD	2098	Steering Column Telescope Motor Forward	A5	OG	2098	Steering Column Telescope Motor Forward
A6	PK	1039	Ignition 1 Voltage	A6	PK	1039	Ignition 1 Voltage
A7	D-BU/WH	1415	Right Turn Signal Switch Signal	A7	D-BU/WH	1415	Right Turn Signal Switch Signal
A8	PK	94	Windshield Washer Switch Signal	A8	PK	94	Windshield Washer Switch Signal
B1-B2	--	--	Not Used	B1-B2	--	--	Not Used
B3	PK/WH	1970	Headlamp Low Beam Relay Control	B3	PK/WH	1970	Headlamp Low Beam Relay Control
B4-B6	--	--	Not Used	B4-B6	--	--	Not Used
B7	BK	1450	Ground	B7	BK	1450	Ground
B8-B9	--	--	Not Used	B8-B9	--	--	Not Used
B10	PU	524	Headlamp Dimmer Switch High Beam Signal	B10	PU	524	Headlamp Dimmer Switch High Beam Signal
B11	BN	1356	Flash To Pass Switch Signal	B11	BN	1356	Flash To Pass Switch Signal
B12	TN	28	Horn Relay Control	B12	TN	28	Horn Relay Control
C1	OG	192	Front Fog Lamp Switch Signal	C1	OG	192	Front Fog Lamp Switch Signal
C2	WH	103	Headlamp Switch On Signal	C2	WH	103	Headlamp Switch On Signal
C3	BN/WH	301	Park Lamp Switch On Signal	C3	BN/WH	301	Park Lamp Switch On Signal
C4	L-BU	1872	Park Lamp Switch Off Signal (2)	C4	L-BU	1872	Park Lamp Switch Off Signal (2)
C5	YE	1977	Rear Fog Lamp Relay Control (EUR)	C5	YE	1977	Rear Fog Lamp Relay Control (EUR)
C6	--	--	Not Used	C6	--	--	Not Used
C7	GY	1884	Cruise Control Set/Coast/Resume/Accelerate Switch Signal	C7	GY	1884	Cruise Control Set/Coast/Resume/Accelerate Switch Signal
C8	L-BU/WH	1414	Left Front Turn Signal Switch Signal (w/o AAB)	C8	L-BU/WH	1414	Left Front Turn Signal Switch Signal (w/o AAB)
	OG	2095	Steering Column Reverse Switch Signal (AAB)		OG	2095	Steering Column Reverse Switch Signal (AAB)
C9	PK	2094	Steering Column Telescope Forward Switch Signal	C9	PK	2094	Steering Column Telescope Forward Switch Signal
C10	RD/WH	440	Battery Positive Voltage (AAB)	C10	RD/WH	440	Battery Positive Voltage (AAB)
C11	GY	788	5 Volt Reference	C11	GY	788	5 Volt Reference
C12	TN	782	Low Reference	C12	TN	782	Low Reference
D1	OG	2153	Steering Column Telescope Sensor Signal	D1	OG	2153	Steering Column Telescope Sensor Signal

D2	L-GN	1763	Steering Wheel Position Signal A	D2	L-GN	1763	Steering Wheel Position Signal A
D3	L-BU	1714	Windshield Wiper Switch Low Signal	D3	L-BU	1714	Windshield Wiper Switch L Signal
D4	L-GN	1715	Windshield Wiper Switch High Signal	D4	L-GN	1715	Windshield Wiper Switch H Signal
D5	L-BU/WH	1414	Left Turn Signal Switch Signal	D5	L-BU/WH	1414	Left Turn Signal Switch Signal
D6	D-GN	2087	Steering Wheel Position Sensor 5-Volt Reference	D6	D-GN	2087	Steering Wheel Position Sensor 5-Volt Reference
D7	L-BU	2088	Combined Vehicle Inertial Sensor Low Reference	D7	L-BU	2088	Combined Vehicle Inertial Sensor Low Reference
D8	--	--	Not Used	D8	--	--	Not Used

C275 Inflatable Restraint Steering Wheel Module Coil to I/P Harness



Connector Part Information

- | OEM: 15336479
- | Service: 15306186
- | Description: 4-Way F Metri-Pack 280 Series (YE)

Connector Part Information

- | OEM: 15336476
- | Service: 15306363
- | Description: 4-Way M Metri-Pack 280 Series (YE)

Terminal Part Information

- | Terminal/Tray: See Terminal Repair Kit
- | Core/Insulation Crimp: See Terminal Repair Kit

Terminal Part Information

- | Terminal/Tray: 12034047/2
- | Core/Insulation Crimp: E/A
- | Release Tool/Test Probe: 12094430/J-

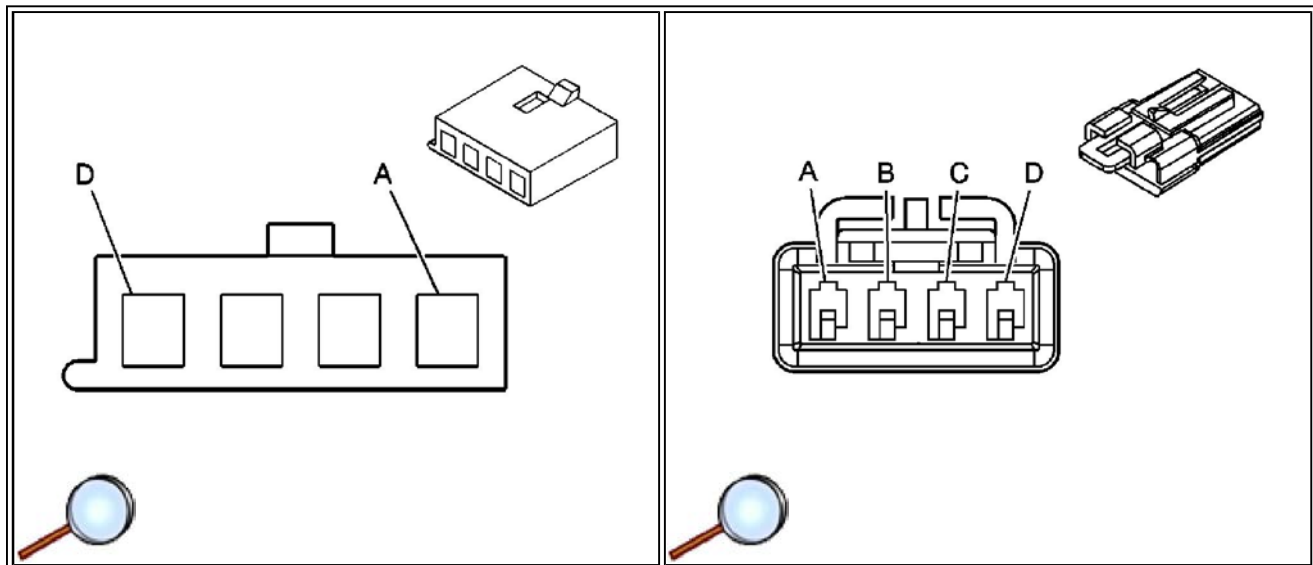
I Release Tool/Test Probe: See Terminal Repair Kit

35616-5 (PU)

C275 Inflatable Restraint Steering Wheel Module Coil to I/P Harness

Pin	Wire Color	Circuit No.	Function	Pin	Wire Color	Circuit No.	Function
A1	TN	3021	Steering Wheel Module - Stage 1 - High Control	A1	TN	3021	Steering Wheel Module - Stage 1 - High Control
A2	BN	3020	Steering Wheel Module - Stage 1 - Low Control	A2	BN	3020	Steering Wheel Module - Stage 1 - Low Control
B1	WH	3023	Steering Wheel Module - Stage 2 - High Control	B1	WH	3023	Steering Wheel Module - Stage 2 - High Control
B2	PK	3022	Steering Wheel Module - Stage 2 - Low Control	B2	PK	3022	Steering Wheel Module - Stage 2 - Low Control

C276 Inflatable Restraint Steering Wheel Module Coil to Steering Column Harness



Connector Part Information

- I OEM: 12092162
- I Service: See Catalog
- I Description: 4-Way F Metri-Pack 150 Series (BK)

Terminal Part

Connector Part Information

- I OEM: 15326050
- I Service: 15306097
- I Description: 4-Way M Metri-Pack 150 Series (BK)

Terminal Part

Information

- I Terminal/Tray: See Terminal Repair Kit
- I Core/Insulation Crimp: See Terminal Repair Kit
- I Release Tool/Test Probe: See Terminal Repair Kit

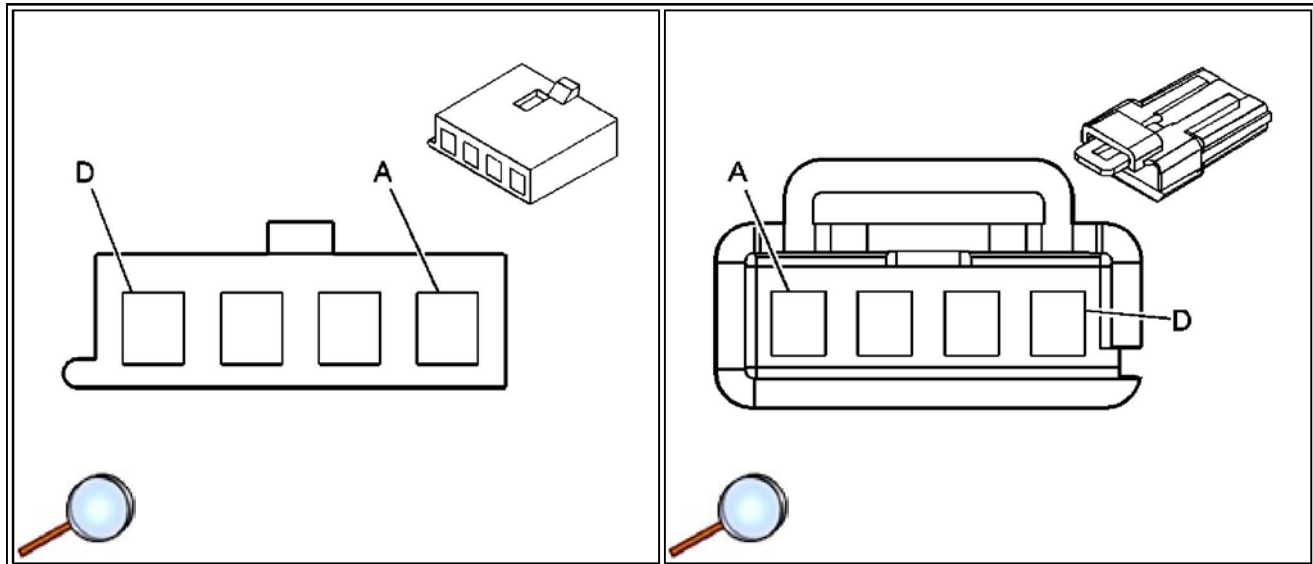
Information

- I Terminal/Tray: See Terminal Repair Kit
- I Core/Insulation Crimp: See Terminal Repair Kit
- I Release Tool/Test Probe: See Terminal Repair Kit

C276 Inflatable Restraint Steering Wheel Module Coil to Steering Column Harness

Pin	Wire Color	Circuit No.	Function	Pin	Wire Color	Circuit No.	Function
A	YE	--	Horn Relay Control	A	TN	28	Horn Relay Control
B	BK	--	Ground	B	BK	1450	Ground
C	D-BU	--	Ignition 1 Voltage	C	PK	1039	Ignition 1 Voltage
D	WH	--	Remote Shift Selector Signal	D	PU	5526	Remote Shift Selector Signal

C277 Inflatable Restraint Steering Wheel Module Coil to Steering Wheel Harness



Connector Part Information

- I OEM: 12092162
- I Service: See Catalog
- I Description: 4-Way F Metri-Pack 150 Series (BK)

Connector Part Information

- I OEM: 12092163
- I Service: 12092163
- I Description: 4-Way M Metri-Pack 150 Series (BK)

Terminal Part Information

Terminal Part Information

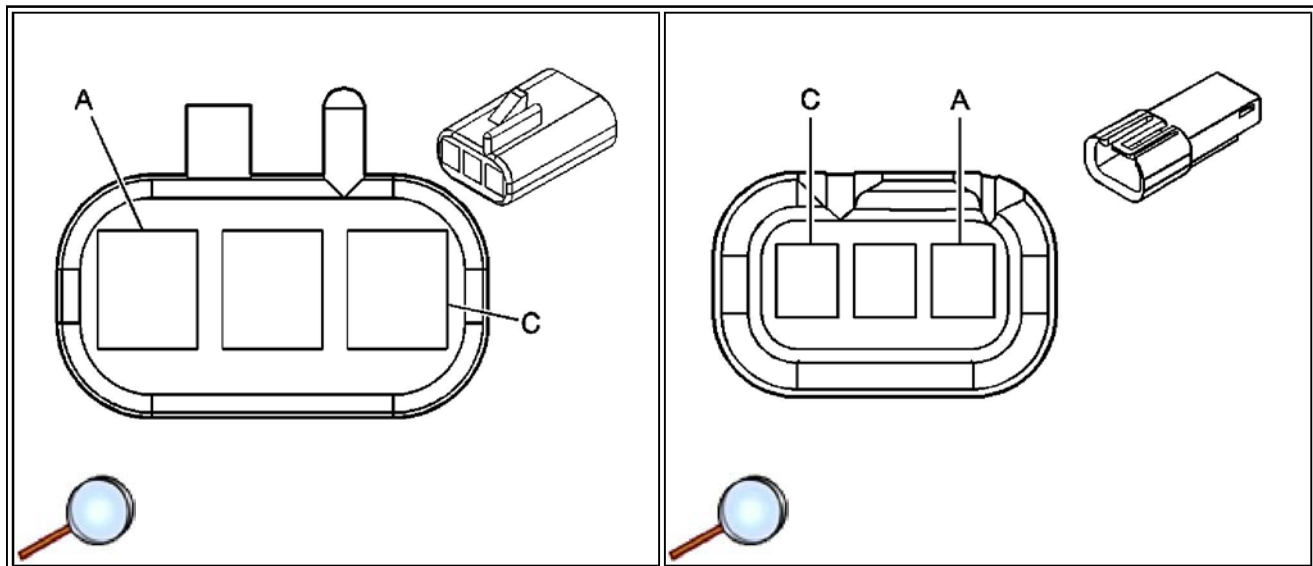
- I Terminal/Tray: See Terminal Repair Kit
- I Core/Insulation Crimp: See Terminal Repair Kit
- I Release Tool/Test Probe: See Terminal Repair Kit

- I Terminal/Tray: See Terminal Repair Kit
- I Core/Insulation Crimp: See Terminal Repair Kit
- I Release Tool/Test Probe: See Terminal Repair Kit

C277 Inflatable Restraint Steering Wheel Module Coil to Steering Wheel Harness

Pin	Wire Color	Circuit No.	Function	Pin	Wire Color	Circuit No.	Function
A	YE	--	Horn Relay Control	A	BK	28	Horn Relay Control
B	BK	--	Ground	B	BK	1450	Ground
C	D-BU	--	Ignition 1 Voltage	C	PK	1039	Ignition 1 Voltage
D	WH	--	Remote Shift Selector Signal	D	PU	5526	Remote Shift Selector Signal

C300 I/P Harness to Intrusion Sensor Harness (UA2)



Connector Part Information

- I OEM: 12047781
- I Service: 12101864
- I Description: 3-Way F Metri-Pack 150 Series (BK)

Connector Part Information

- I OEM: 12047782
- I Service: 12117371
- I Description: 3-Way M Metri-Pack 150 Series (BK)

Terminal Part Information

- I Terminal/Tray: 12064971/5

Terminal Part Information

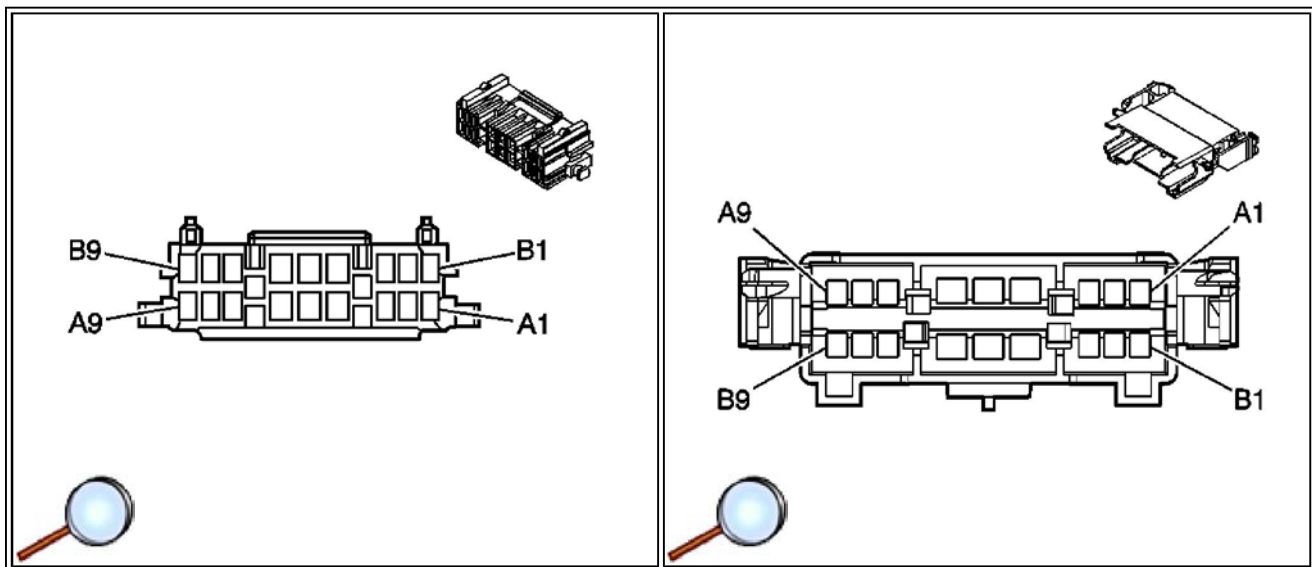
- I Core/Insulation Crimp: E/C
- I Release Tool/Test Probe: 12094429/J-35616-2A (GY)

- I Terminal/Tray: See Terminal Repair Kit
- I Core/Insulation Crimp: See Terminal Repair Kit
- I Release Tool/Test Probe: See Terminal Repair Kit

C300 I/P Harness to Intrusion Sensor Harness (UA2)

Pin	Wire Color	Circuit No.	Function	Pin	Wire Color	Circuit No.	Function
A	RD/WH	240	Battery Positive Voltage	A	RD/WH	240	Battery Positive Voltage
B	PU	5059	Intrusion Sensor Alarm On Signal	B	PU	5059	Intrusion Sensor Alarm On Signal
C	YE	5058	Intrusion Sensor Armed Signal	C	YE	5058	Intrusion Sensor Armed Signal

C375 I/P Harness to Driver Seat Harness



Connector Part Information

- I OEM: 15304692
- I Service: 15304692
- I Description: 18-Way F GT 150 280 Series (BK)

Connector Part Information

- I OEM: 15336468
- I Service: 15336468
- I Description: 18-Way M GT 150 280 Series (BK)

Terminal Part Information

- I Pins: A1, A8, A9, B1- B3, B7-B9
- I Terminal/Tray: 12191812/19
- I Core/Insulation Crimp: E/C
- I Release Tool/Test Probe: 15315247/J-

35616-2A (GY)

- I Pins: A6, B4-B6
- I Terminal/Tray: 15304711/8
- I Core/Insulation Crimp: Pins: A6 : 2/A
- I Core/Insulation Crimp: Pins: B4, B5, B6 : E/A
- I Release Tool/Test Probe: 15315247/J-35616-4A (PU)

- I Pins: A4, A5
- I Terminal/Tray: 15304713/19
- I Core/Insulation Crimp: F/D
- I Release Tool/Test Probe: 15315247/J-35616-4A (PU)

Terminal Part Information

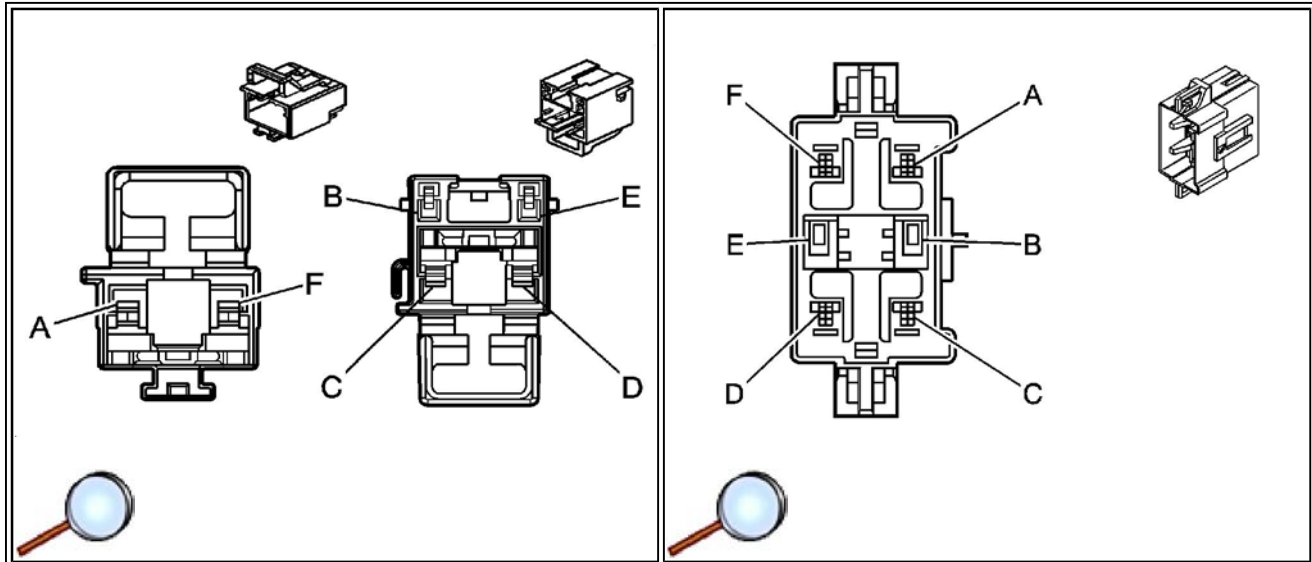
- I Pins: A1, A4-A6, A8, A9, B1-B9
- I Terminal/Tray: See Terminal Repair Kit
- I Core/Insulation Crimp: See Terminal Repair Kit
- I Release Tool/Test Probe: See Terminal Repair Kit

C375 I/P Harness to Driver Seat Harness

Pin	Wire Color	Circuit No.	Function	Pin	Wire Color	Circuit No.	Function
A1	PK	1139	Ignition 1 Voltage	A1	PK	1139	Ignition 1 Voltage
A2-A3	--	--	Not Used	A2-A3	--	--	Not Used
A4	RD/WH	1540	Battery Positive Voltage	A4	RD/WH	1540	Battery Positive Voltage
A5	BK	1150	Ground	A5	BK	1150	Ground
A6	RD/WH	1640	Battery Positive Voltage	A6	RD/WH	1640	Battery Positive Voltage
A7	--	--	Not Used	A7	--	--	Not Used
A8	BN	1463	Heated Seat Low Temperature Indicator Control	A8	BN	1463	Heated Seat Low Temperature Indicator Control
A9	D-BU	1461	Heated Seat High Temperature Indicator Control	A9	D-BU	1461	Heated Seat High Temperature Indicator Control
B1	PK	1501	Driver Heated Seat High/Low Signal	B1	PK	1501	Driver Heated Seat High/Low Signal
B2	OG/BK	2180	Driver Heated Seat Switch Off Signal	B2	OG/BK	2180	Driver Heated Seat Switch Off Signal
B3	RD/WH	440	Battery Positive Voltage	B3	RD/WH	440	Battery Positive Voltage
B4	TN/WH	238	Left Seat Belt Switch Signal	B4	TN/WH	238	Left Seat Belt Switch Signal
B5	L-GN	5055	Seat Position Sensor - Left - Signal	B5	L-GN	5055	Seat Position Sensor - Left - Signal
B6	YE	182	Heated Seat Control Module Inhibit Signal	B6	YE	182	Heated Seat Control Module Inhibit Signal
B7	L-BU/WH	181	Driver Heated Seat Module Status Signal	B7	L-BU/WH	181	Driver Heated Seat Module Status Signal
			Seat Position Switch				Seat Position Switch

B8	PK	5057	Low Reference	B8	PK	5057	Low Reference
B9	BN/WH	1048	Seat Control Module Class 2 Serial Data	B9	BN/WH	1048	Seat Control Module Class 2 Serial Data

C377 Driver Seat Side Air Bag and Pretensioner Harness to I/P Harness



Connector Part Information

- | OEM: 15304658
- | Service: See Catalog
- | Description: 2-Way F GT 280 Series (YE)

- | OEM: 15304657
- | Service: See Catalog
- | Description: 4-Way F GT 150, 280 Series (YE)

Terminal Part Information

- | Pins: A, F
- | Terminal/Tray: 15304711/8
- | Core/Insulation Crimp: E/A
- | Release Tool/Test Probe: 15315247/J-35616-4A (PU)

- | Pins: C, D
- | Terminal/Tray: 15304711/8
- | Core/Insulation Crimp: E/A
- | Release Tool/Test Probe: 15315247/J-35616-4A (PU)

Connector Part Information

- | OEM: 15304649
- | Service: 15306061
- | Description: 6-Way M GT 150, 280 Mixed Series (YE)

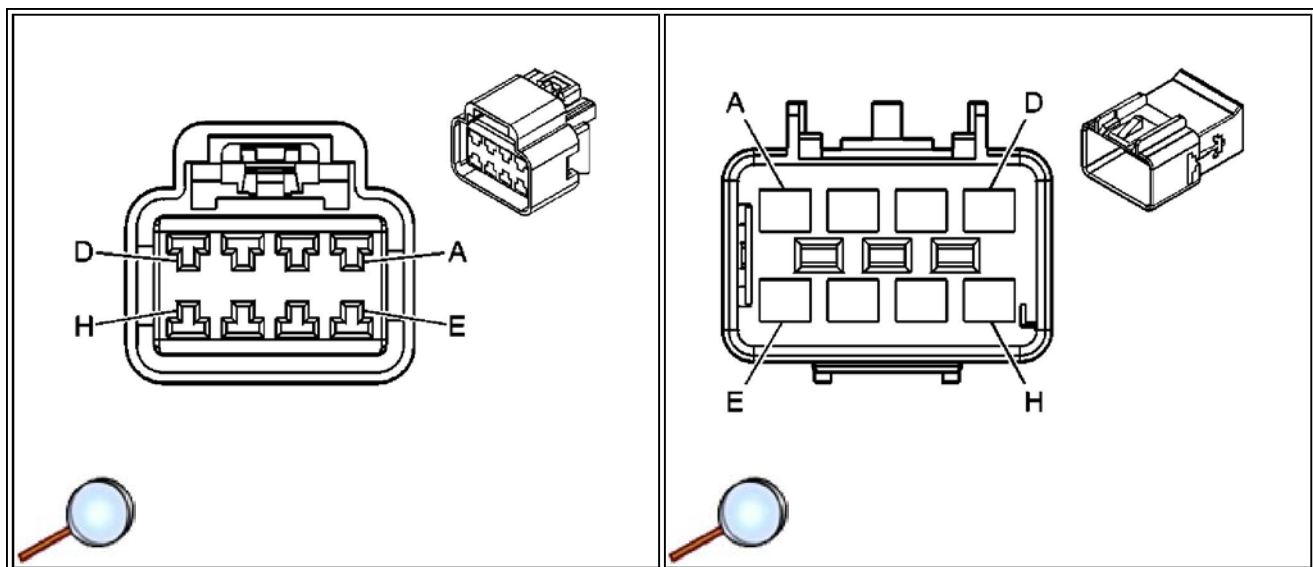
Terminal Part Information

- | Pins: A, C, D, F
- | Terminal/Tray: 15304722/8
- | Core/Insulation Crimp: E/C
- | Release Tool/Test Probe: 15315247/J-35616-5 (PU)

C377 Driver Seat Side Air Bag and Pretensioner Harness to I/P Harness

Pin	Wire Color	Circuit No.	Function	Pin	Wire Color	Circuit No.	Function
A	--	2118	Left Seat Belt Pretensioner High Control	A	TN/WH	2118	Left Seat Belt Pretensioner High Control
B	--	--	Not Used	B	--	--	Not Used
C	D-GN/RD	2137	Left Front Side Impact Module High Control	C	BN	2137	Left Front Side Impact Module High Control
D	WH/RD	2138	Left Front Side Impact Module Low Control	D	YE/BK	2138	Left Front Side Impact Module Low Control
E	--	--	Not Used	E	--	--	Not Used
F	--	2119	Left Seat Belt Pretensioner Low Control	F	OG/BK	2119	Left Seat Belt Pretensioner Low Control

C379 I/P Harness to Driver Seat Harness (AAB)



Connector Part Information

- | OEM: 15326924
- | Service: 15306174
- | Description: 8-Way F GT 280 Series (BK)

Terminal Part Information

- | Pins: A-G

Connector Part Information

- | OEM: 15326928
- | Service: 15306176
- | Description: 8-Way M GT 280 Series (BK)

Terminal Part Information

- | Pins: A-G

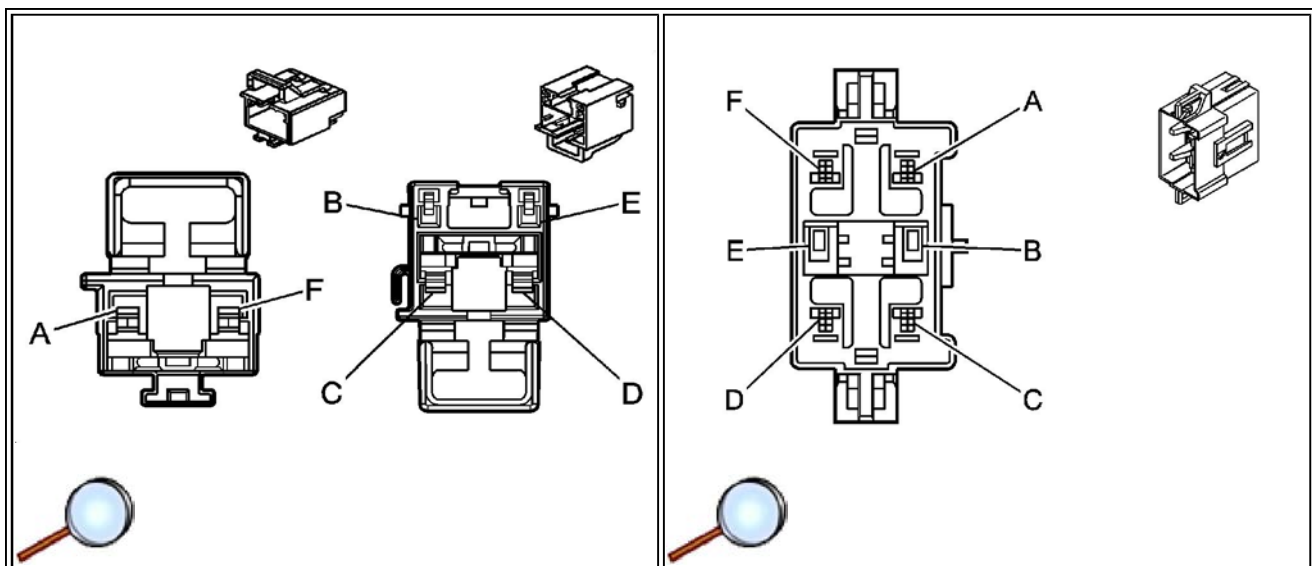
- I Terminal/Tray: See Terminal Repair Kit
- I Core/Insulation Crimp: See Terminal Repair Kit
- I Release Tool/Test Probe: See Terminal Repair Kit

- I Terminal/Tray: See Terminal Repair Kit
- I Core/Insulation Crimp: See Terminal Repair Kit
- I Release Tool/Test Probe: See Terminal Repair Kit

C379 I/P Harness to Driver Seat Harness (AAB)

Pin	Wire Color	Circuit No.	Function	Pin	Wire Color	Circuit No.	Function
A	PK	2094	Steering Column Tilt and Telescope Forward Switch Signal	A	PK	2094	Steering Column Tilt and Telescope Forward Switch Signal
B	OG	2095	Steering Column Tilt and Telescope Rearward Switch Signal	B	OG	2095	Steering Column Tilt and Telescope Rearward Switch Signal
C	GY	788	Memory Mirror Position Sensor 5-Volt Reference	C	GY	788	Memory Mirror Position Sensor 5-Volt Reference
D	TN	782	Memory Seat/Mirror Sensor Low Reference	D	TN	782	Memory Seat/Mirror Sensor Low Reference
E	OG	2153	Steering Column Telescope Motor Signal	E	OG	2153	Steering Column Telescope Motor Signal
F	TN	2110	Steering Column Telescope Motor Rearward	F	TN	2110	Steering Column Telescope Motor Rearward
G	OG	2098	Steering Column Telescope Motor Forward	G	OG	2098	Steering Column Telescope Motor Forward
H	--	--	Not Used	H	--	--	Not Used

C380 Passenger Seat Side Air Bag and Pretensioner Harness to I/P Harness



Connector Part Information

- I OEM: 15304658
- I Service: See Catalog
- I Description: 2-Way F GT 280 Series (YE)

- I OEM: 15304657
- I Service: See Catalog
- I Description: 4-Way F GT 150, 280 Series (YE)

Terminal Part Information

- I Pins: A, F
- I Terminal/Tray: 15304711/8
- I Core/Insulation Crimp: E/A
- I Release Tool/Test Probe: 15315247/J-35616-4A (PU)

- I Pins: C, D
- I Terminal/Tray: 15304711/8
- I Core/Insulation Crimp: E/A
- I Release Tool/Test Probe: 15315247/J-35616-4A (PU)

Connector Part Information

- I OEM: 15304649
- I Service: 15306061
- I Description: 6-Way M GT 150, 280 Mixed Series (YE)

Terminal Part Information

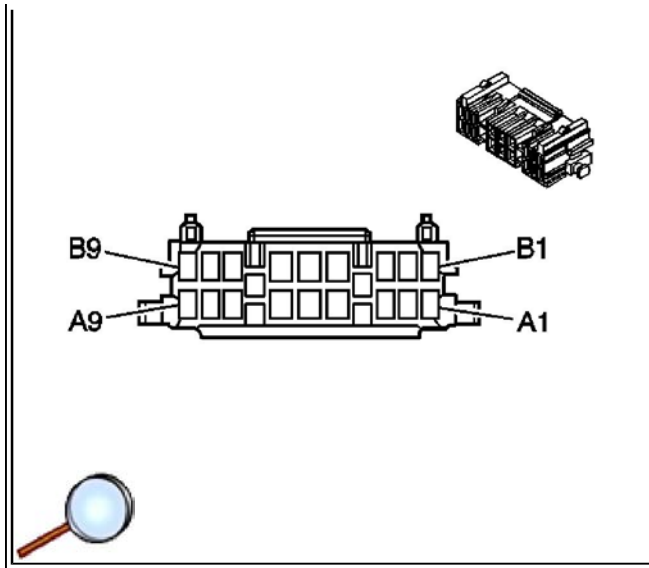
- I Pins: A, C, D, F
- I Terminal/Tray: 15304722/8
- I Core/Insulation Crimp: E/C
- I Release Tool/Test Probe: 15315247/J-35616-5 (PU)

C380 Passenger Seat Side Air Bag and Pretensioner Harness to I/P Harness

Pin	Wire Color	Circuit No.	Function	Pin	Wire Color	Circuit No.	Function
A	--	2116	Right Seat Belt Pretensioner High Control	A	L-GN	2116	Right Seat Belt Pretensioner High Control
B	--	--	Not Used	B	--	--	Not Used
C	D-GN/RD	2135	Right Front Side Impact Module High Control	C	TN/WH	2135	Right Front Side Impact Module High Control
D	WH/RD	2136	Right Front Side Impact Module Low Control	D	L-GN	2136	Right Front Side Impact Module Low Control
E	--	--	Not Used	E	--	--	Not Used
F	--	2117	Right Seat Belt Pretensioner Low Control	F	OG	2117	Right Seat Belt Pretensioner Low Control

C382 I/P Harness to Passenger Seat Harness

--	--



Connector Part Information

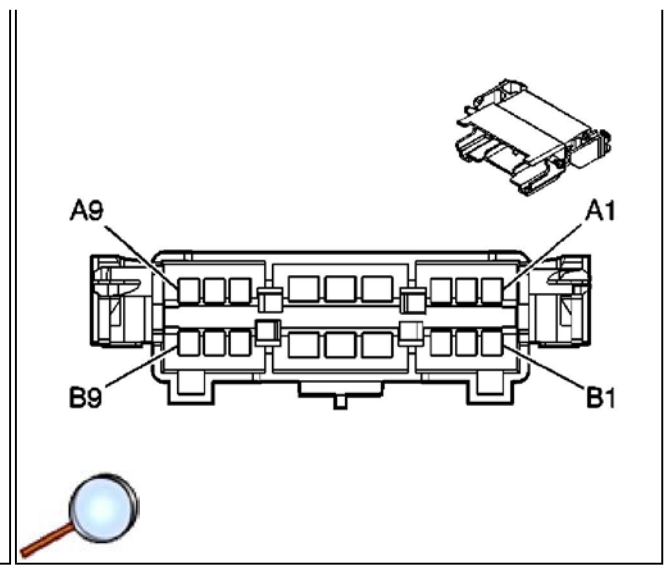
- | OEM: 15304692
- | Service: 15304692
- | Description: 18-Way F GT 150 280 Mixed Series (BK)

Terminal Part Information

- | Pins: A1-A3, A7-A9, B1-B4, B7-B9
- | Terminal/Tray: 12191812/19
- | Core/Insulation Crimp: E/C
- | Release Tool/Test Probe: 15315247/J-35616-2A (GY)

- | Pins: A6, B5, B6
- | Terminal/Tray: 15304711/8
- | Core/Insulation Crimp: Pins: A6 : 2/A
- | Core/Insulation Crimp: Pins: B5, B6 : E/A
- | Release Tool/Test Probe: 15315247/J-35616-4A (PU)

- | Pins: A4, A5
- | Terminal/Tray: 15304713/19
- | Core/Insulation Crimp: F/D
- | Release Tool/Test Probe: 15315247/J-35616-4A (PU)



Connector Part Information

- | OEM: 15336468
- | Service: 15336468
- | Description: 18-Way M GT 150 280 Mixed Series (BK)

Terminal Part Information

- | Terminal/Tray: See Terminal Repair Kit
- | Core/Insulation Crimp: See Terminal Repair Kit
- | Release Tool/Test Probe: See Terminal Repair Kit

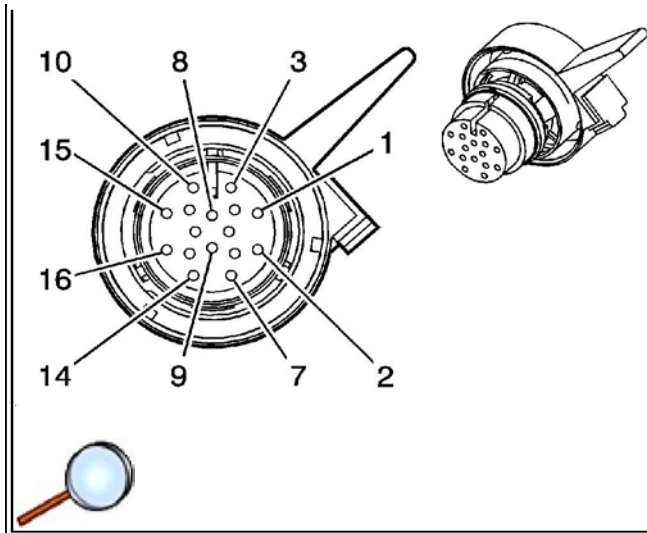
C382 I/P Harness to Passenger Seat Harness

Pin	Wire Color	Circuit No.	Function	Pin	Wire Color	Circuit No.	Function
A1	PK	1139	Ignition 1 Voltage	A1	PK	1139	Ignition 1 Voltage

A2	OG	1362	Seat Belt Switch Signal - Right	A2	OG	1362	Seat Belt Switch Signal - Right
A3	TN/BK	723	Passenger Air Bag On Indicator Control	A3	TN/BK	723	Passenger Air Bag On Indicator Control
A4	RD/WH	1540	Battery Positive Voltage (AG2)	A4	RD/WH	1540	Battery Positive Voltage (AG2)
A5	BK	750	Ground	A5	BK	750	Ground
A6	RD/WH	3240	Battery Positive Voltage	A6	RD/WH	3240	Battery Positive Voltage
A7	PK	5018	Occupant Sensor Serial Data	A7	PK	5018	Occupant Sensor Serial Data
A8	BN/WH	1506	Passenger Heated Seat Low Temperature Indicator Control	A8	BN/WH	1506	Passenger Heated Seat Low Temperature Indicator Control
A9	D-BU/WH	1504	Passenger Heated Seat High Temperature Indicator Control	A9	D-BU/WH	1504	Passenger Heated Seat High Temperature Indicator Control
B1	PK/BK	1503	Passenger Heated Seat High/Low Signal	B1	PK/BK	1503	Passenger Heated Seat High/Low Signal
B2	L-BU	2179	Passenger Heated Seat Switch Off Signal	B2	L-BU	2179	Passenger Heated Seat Switch Off Signal
B3	PK	739	Ignition 1 Voltage	B3	PK	739	Ignition 1 Voltage
B4	PK	5057	Seat Position Switch - Low Reference	B4	PK	5057	Seat Position Switch - Low Reference
B5	L-BU	5056	Seat Position Switch - Right - Signal	B5	L-BU	5056	Seat Position Switch - Right - Signal
B6	GY	5961	Heated Seat Control Module Inhibit Signal	B6	GY	5961	Heated Seat Control Module Inhibit Signal
B7	D-BU	2181	Passenger Heated Seat Module Status Signal	B7	D-BU	2181	Passenger Heated Seat Module Status Signal
B8	PK	353	Passenger Air Bag Off Indicator Control	B8	PK	353	Passenger Air Bag Off Indicator Control
B9	BK/WH	1751	Ground	B9	BK/WH	1751	Ground

C400 Transmission Harness to Transmission (MYC)

--	--

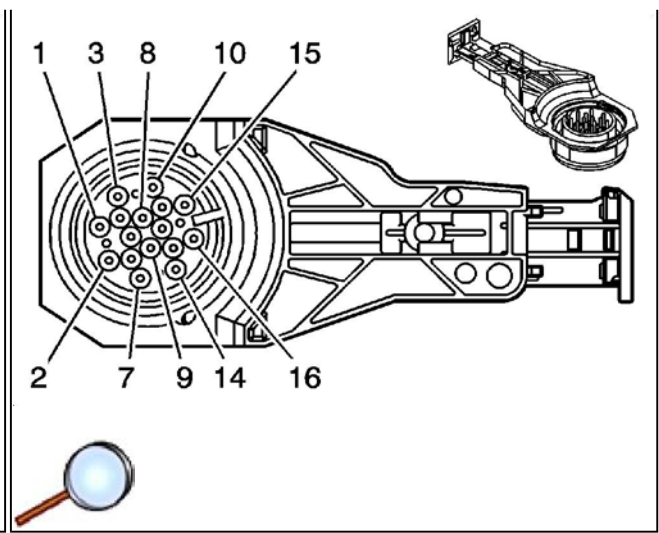


Connector Part Information

- | OEM: 09430731
- | Service: 15131300
- | Description: 16-Way F 1.5 Pin Housing Connector Assembly (BK)

Terminal Part Information

- | Pins: 3, 4, 5, 6, 7, 9, 10, 11, 12, 13, 14
- | Terminal/Tray: 2-2124- 472200/12
- | Core/Insulation Crimp: E/1
- | Release Tool/Test Probe: 12014012-1/J-35616-66 (YE)



Connector Part Information

- | OEM: 09330731
- | Service: See Catalog
- | Description: 16-Way M Pin Housing Connector Assembly (BK)

Terminal Part Information

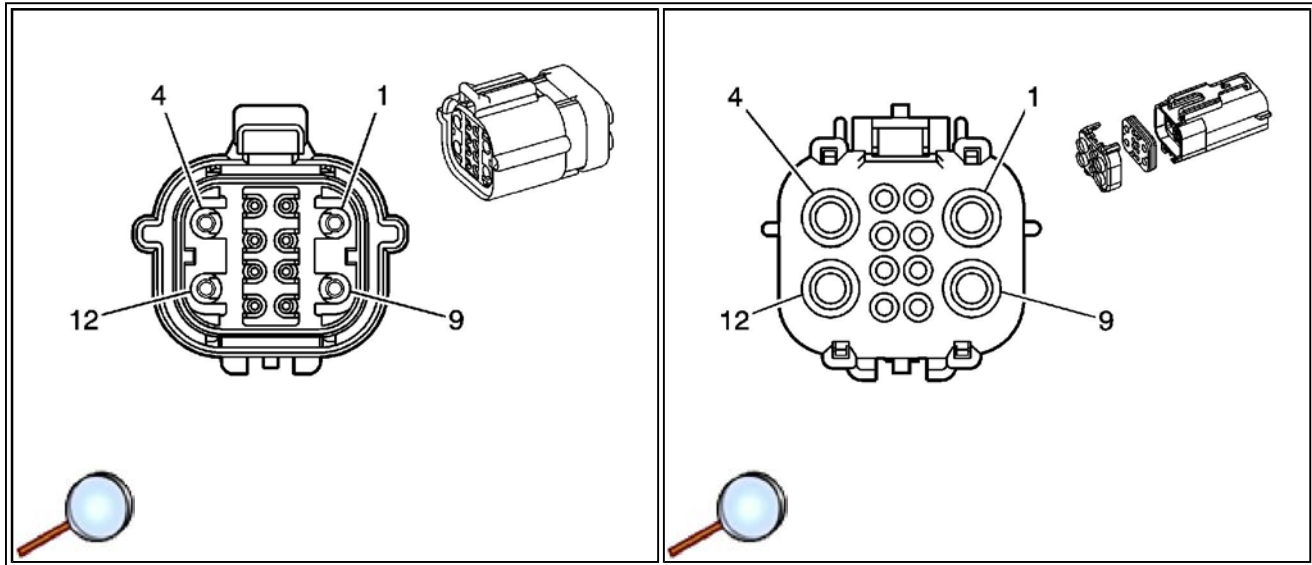
- | Not Applicable

C400 Transmission Harness to Transmission (MYC)

Pin	Wire Color	Circuit No.	Function	Pin	Wire Color	Circuit No.	Function
1-2	--	--	Not Used	1-2	--	--	Not Used
3	OG/BK	1786	Park/Neutral Signal	3	--	--	Park/Neutral Signal
4	RD/WH	2440	Battery Positive Voltage	4	--	--	Battery Positive Voltage
5	BK/WH	451	Ground	5	--	--	Ground
6	WH	17	Stop Lamp Switch Signal	6	--	--	Stop Lamp Switch Signal
7	PU	5526	Remote Shift Selector Signal	7	--	--	Remote Shift Selector Signal
8	--	--	Not Used	8	--	--	Not Used
9	YE	43	Accessory Voltage	9	--	--	Accessory Voltage
10	TN/BK	2500	High Speed GMLAN Serial Data Bus +	10	--	--	High Speed GMLAN Serial Data Bus +
11	TN	2501	High Speed GMLAN Serial Data Bus -	11	--	--	High Speed GMLAN Serial Data Bus -

12	PK	1339	Ignition 1 Voltage	12	--	--	Ignition 1 Voltage
13	TN	2501	High Speed GMLAN Serial Data Bus -	13	--	--	High Speed GMLAN Serial Data Bus -
14	TN/BK	2500	High Speed GMLAN Serial Data Bus +	14	--	--	High Speed GMLAN Serial Data Bus +
15-16	--	--	Not Used	15-16	--	--	Not Used

C420 Transmission Harness to Fuel Tank Harness



Connector Part Information

- | OEM: E-1258-107
- | Service: 89047118
- | Description: 12-Way F Sleeve Assembly Wire Connector, Mixed Series (BK)

Terminal Part Information

- | Pins: 1, 3-5, 7, 8, 10-12
- | Terminal/Tray: See Terminal Repair Kit
- | Core/Insulation Crimp: See Terminal Repair Kit
- | Release Tool/Test Probe: See Terminal Repair Kit

Connector Part Information

- | OEM: E-1587-080
- | Service: 89047082
- | Description: 12-Way M Sleeve Assembly Wire Connector, Mixed Series (BK)

Terminal Part Information

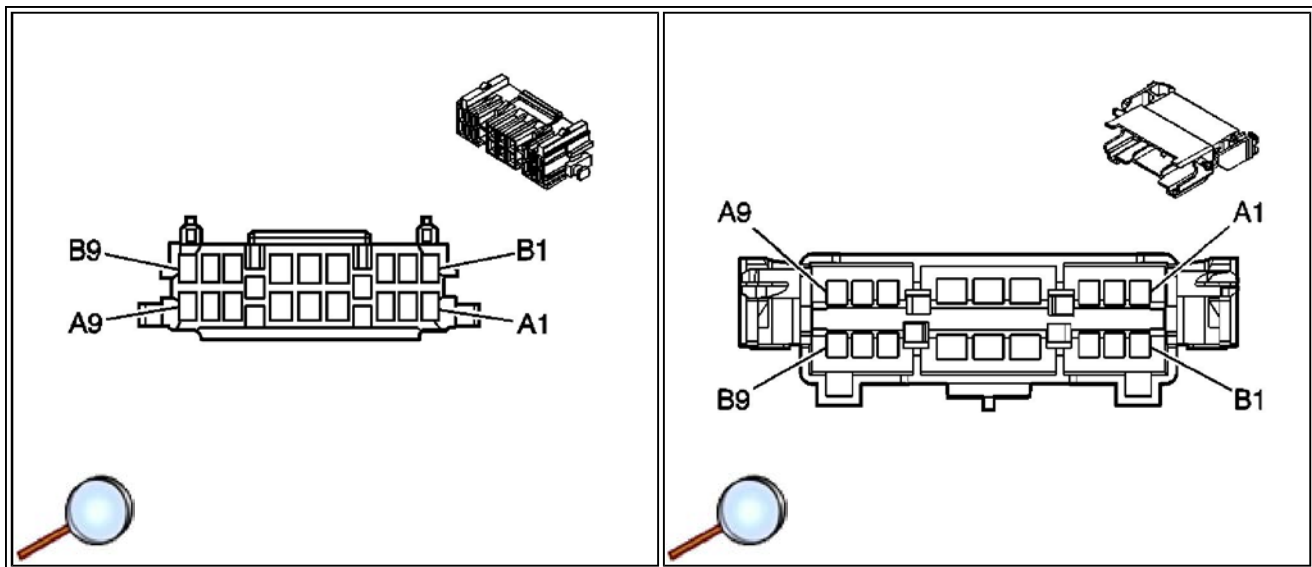
- | Pins: 1, 3-5, 7, 8, 10-12
- | Terminal/Tray: See Terminal Repair Kit
- | Core/Insulation Crimp: See Terminal Repair Kit
- | Release Tool/Test Probe: See Terminal Repair Kit

C420 Transmission Harness to Fuel Tank Harness

Pin	Wire Color	Circuit No.	Function	Pin	Wire Color	Circuit No.	Function
1	GY	120	Fuel Pump Supply	1	GY	120	Fuel Pump Supply

			Voltage				Voltage
2	--	--	Not Available	2	--	--	Not Available
3	L-BU	1937	Fuel Level Sensor Signal-Secondary	3	L-BU	1937	Fuel Level Sensor Signal-Secondary
4	BK	850	Ground	4	BK	850	Ground
5	TN	2759	Low Reference	5	TN	2759	Low Reference
6	--	--	Not Available	6	--	--	Not Available
7	GY	2709	5-Volt Reference 1	7	GY	2709	5-Volt Reference 1
8	D-BU	1936	Fuel Level Sensor Signal-Primary	8	D-BU	1936	Fuel Level Sensor Signal-Primary
9	--	--	Not Available	9	--	--	Not Available
10	WH	1310	EVAP Canister Vent Solenoid Control	10	WH	1310	EVAP Canister Vent Solenoid Control
11	D-GN	890	Fuel Tank Pressure Sensor Signal	11	D-GN	890	Fuel Tank Pressure Sensor Signal
12	RD/WH	2840	Battery Positive Voltage	12	RD/WH	2840	Battery Positive Voltage

C431 Folding Top Motor Assembly Harness to Folding Top Harness (CM7)



Connector Part Information

- | OEM: 15304692
- | Service: 15304692
- | Description: 18-Way F GT 150, 280 Series (BK)

Terminal Part

Connector Part Information

- | OEM: 15336468
- | Service: 15336468
- | Description: 18-Way M GT 150, 280 Series (BK)

Terminal Part

Information

- I Pins: A2-A6, B3, B4, B6-B8
- I Terminal/Tray: See Terminal Repair Kit
- I Core/Insulation Crimp: See Terminal Repair Kit
- I Release Tool/Test Probe: See Terminal Repair Kit

Information

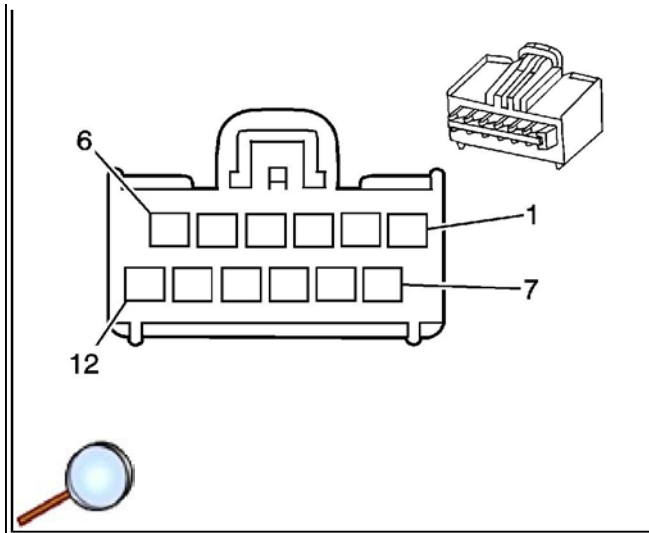
- I Pins: A2-A6, B3, B4, B6-B8
- I Terminal/Tray: See Terminal Repair Kit
- I Core/Insulation Crimp: See Terminal Repair Kit
- I Release Tool/Test Probe: See Terminal Repair Kit

C431 Folding Top Motor Assembly Harness to Folding Top Harness (CM7)

Pin	Wire Color	Circuit No.	Function	Pin	Wire Color	Circuit No.	Function
A1	--	--	Not Used	A1	--	--	Not Used
A2	BK	1150	Ground	A2	BK	1150	Ground
A3	BK	1150	Ground	A3	BK	1150	Ground
A4	L-GN	5948	Pump Direction B Control	A4	L-GN	5948	Pump Direction B Control
A5	L-BU	124	Valve 1 Control	A5	L-BU	124	Valve 1 Control
A6	GY	2169	Valve 3 Control	A6	GY	2169	Valve 3 Control
A7-A9	--	--	Not Used	A7-A9	--	--	Not Used
B1-B2	--	--	Not Used	B1-B2	--	--	Not Used
B3	BK	1150	Ground	B3	BK	1150	Ground
B4	D-BU	5949	Pump Direction A Control	B4	D-BU	5949	Pump Direction A Control
B5	--	--	Not Used	B5	--	--	Not Used
B6	TN	123	Valve 2 Control	B6	TN	123	Valve 2 Control
B7	TN	476	Thermal Sensor Signal	B7	TN	476	Thermal Sensor Signal
B8	GY	474	5-Volt Reference	B8	GY	474	5-Volt Reference
B9	--	--	Not Used	B9	--	--	Not Used

C433 I/P Harness to Folding Top Harness (CM7)

--	--

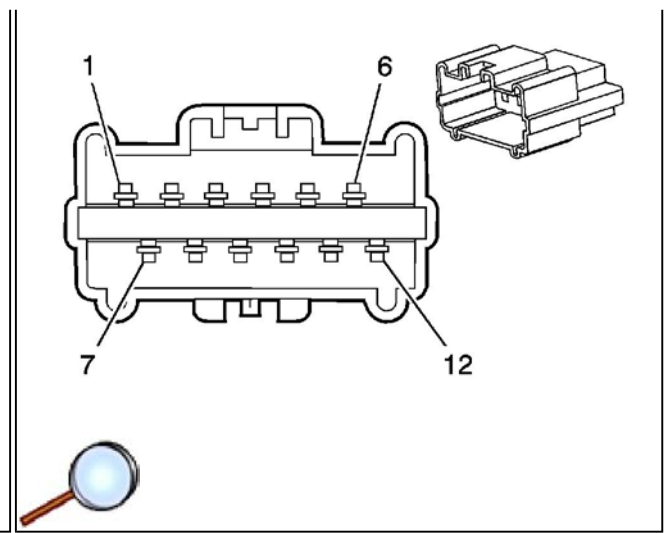


Connector Part Information

- | OEM: E-4402-001
- | Service: 89047203
- | Description: 12-Way F (BK)

Terminal Part Information

- | Pins: 1-4, 6, 9
- | Terminal/Tray: 7116-4110-02/9
- | Core/Insulation Crimp: E/C
- | Release Tool/Test Probe: 12094430/J-35616-4A (PU)
- | Pins: 10
- | Terminal/Tray: 7116-4112-02/9
- | Core/Insulation Crimp: See Terminal Repair Kit
- | Release Tool/Test Probe: 12094430/J-35616-35 (VT)



Connector Part Information

- | OEM: E-4411-001
- | Service: See Catalog
- | Description: 12-Way M (BK)

Terminal Part Information

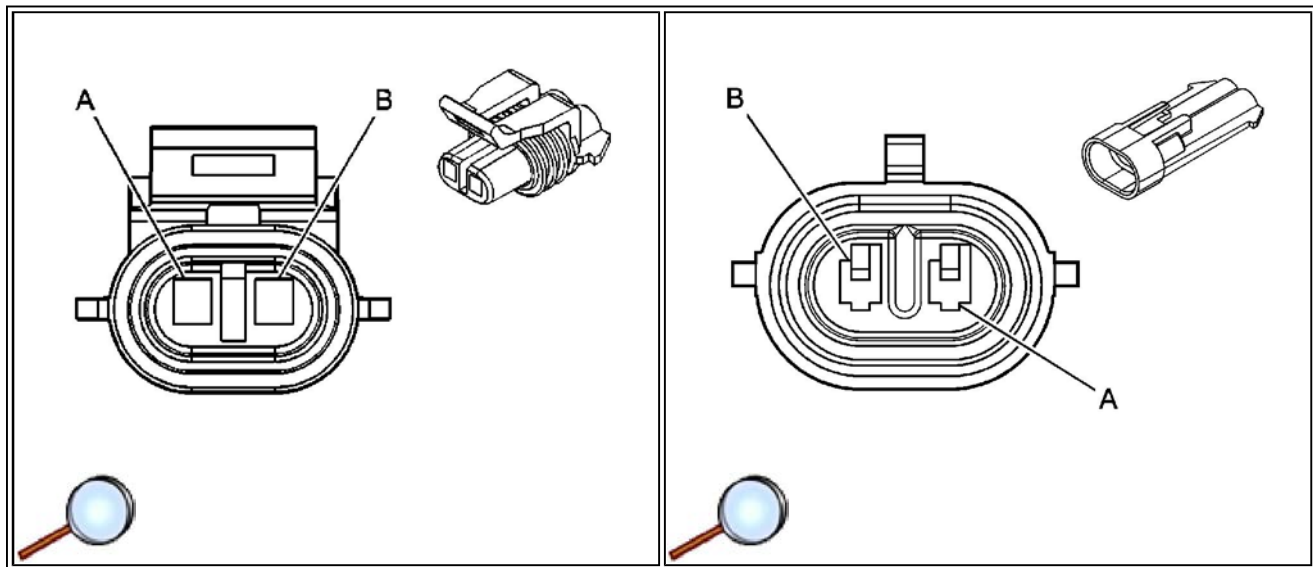
- | Pins: 1-6, 9, 10
- | Terminal/Tray: See Terminal Repair Kit
- | Core/Insulation Crimp: See Terminal Repair Kit
- | Release Tool/Test Probe: See Terminal Repair Kit

C433 I/P Harness to Folding Top Harness (CM7)

Pin	Wire Color	Circuit No.	Function	Pin	Wire Color	Circuit No.	Function
1	PU	5513	Class 2 Serial Data	1	PU	5513	Class 2 Serial Data
2	PU	163	Folding Top Control Switch Open Signal	2	PU	163	Folding Top Control Switch Open Signal
3	GY	162	Folding Top Control Switch Close Signal	3	GY	162	Folding Top Control Switch Close Signal
4	D-GN	1399	Accessory Voltage	4	D-GN	1399	Accessory Voltage
5	--	--	Not Used	5	GY/BK	896	Hard Top Connected Signal
6	L-GN	5934	Folding Top Cover Open Switch Signal	6	L-GN	5934	Folding Top Cover Open Switch Signal

7-8	--	--	Not Used	7-8	--	--	Not Used
9	BN	5745	Luggage Barrier Switch Signal	9	BN	5745	Luggage Barrier Switch Signal
10	BK	1150	Ground	10	BK	1150	Ground
11-12	--	--	Not Used	11-12	--	--	Not Used

C439 Suspension Damper - LR Harness to Transmission Harness (F55)



Connector Part Information

- | OEM: 12052641
- | Service: 12102747
- | Description: 2-Way F Metri-Pack 150 Series (BK)

Connector Part Information

- | OEM: 15496165
- | Service: 12125649
- | Description: 2-Way M Metri-Pack 150 Series, Sealed (BK)

Terminal Part Information

- | Terminal/Tray: See Terminal Repair Kit
- | Core/Insulation Crimp: See Terminal Repair Kit
- | Release Tool/Test Probe: See Terminal Repair Kit

Terminal Part Information

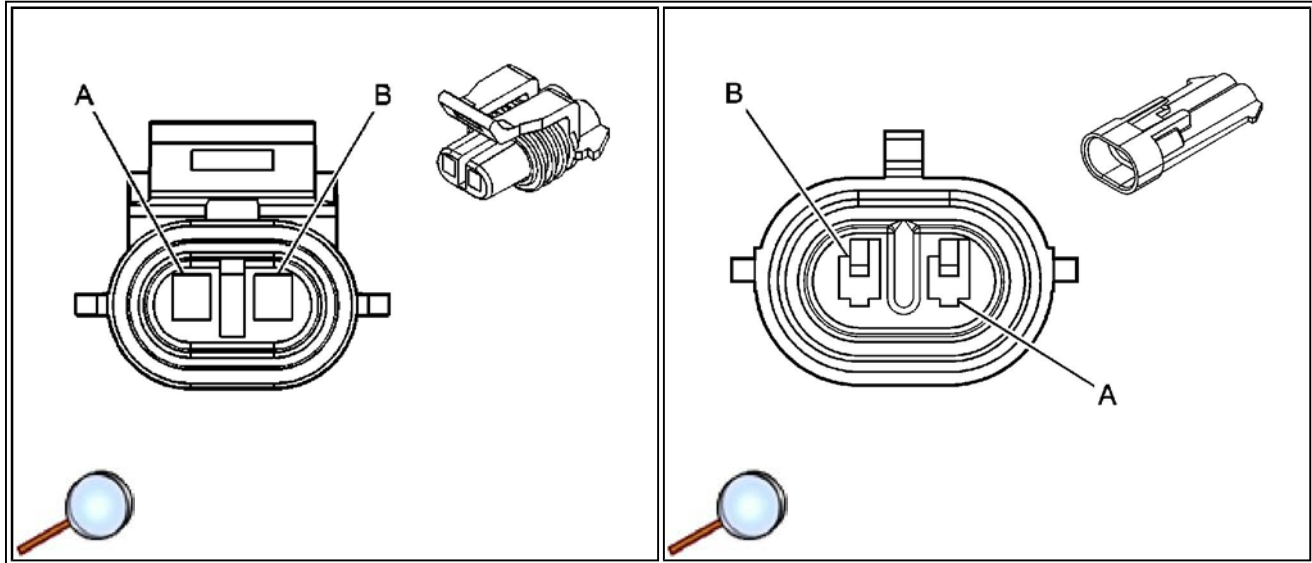
- | Terminal/Tray: 12045773/2
- | Core/Insulation Crimp: E/1
- | Release Tool/Test Probe: 12094429/J-35616-3 (GY)

C439 Suspension Damper - LR Harness to Transmission Harness (F55)

	Wire	Circuit			Wire	Circuit	
--	------	---------	--	--	------	---------	--

Pin	Color	No.	Function	Pin	Color	No.	Function
A	RD	1114	Left Rear Damper Control	A	D-BU/WH	1114	Left Rear Damper Control
B	BK	1115	Left Rear Damper Low Reference	B	D-GN	1115	Left Rear Damper Low Reference

C440 Suspension Damper - RR Harness to Transmission Harness (F55)



Connector Part Information

- | OEM: 12052641
- | Service: 12102747
- | Description: 2-Way F Metri-Pack 150 Series (BK)

Terminal Part Information

- | Terminal/Tray: See Terminal Repair Kit
- | Core/Insulation Crimp: See Terminal Repair Kit
- | Release Tool/Test Probe: See Terminal Repair Kit

Connector Part Information

- | OEM: 15496165
- | Service: 12125649
- | Description: 2-Way M Metri-Pack 150 Series, Sealed (BK)

Terminal Part Information

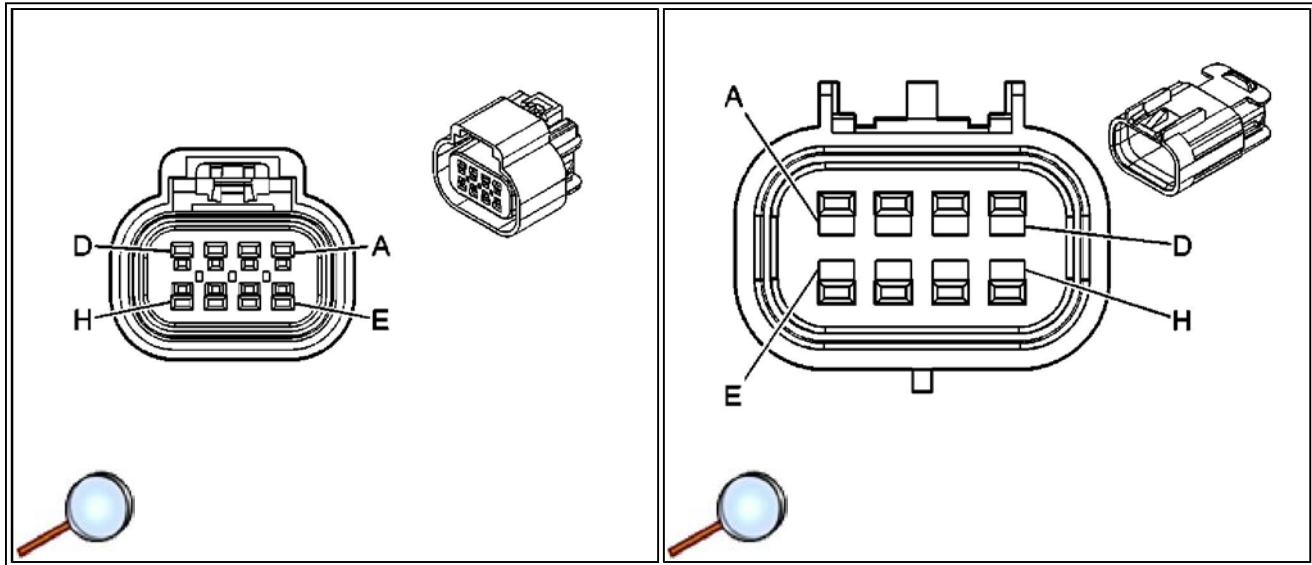
- | Terminal/Tray: See Terminal Repair Kit
- | Core/Insulation Crimp: See Terminal Repair Kit
- | Release Tool/Test Probe: See Terminal Repair Kit

C440 Suspension Damper - RR Harness to Transmission Harness (F55)

Pin	Wire Color	Circuit No.	Function	Pin	Wire Color	Circuit No.	Function

A	RD	1118	Left Rear Damper Control	A	D-BU/WH	1118	Right Rear Damper Control
B	BK	1119	Left Rear Damper Low Reference	B	D-GN	1119	Right Rear Damper Low Reference

C455 Rear Body Harness to I/P Harness



Connector Part Information

- | OEM: 15326835
- | Service: 88986452
- | Description: 8-Way F GT 150 Series, Sealed (BK)

Connector Part Information

- | OEM: 15326840
- | Service: See Catalog
- | Description: 8-Way M GT 150 Series, Sealed (BK)

Terminal Part Information

- | Pins: A-H
- | Terminal/Tray: 12191819/8
- | Core/Insulation Crimp: Pins: A, B, D, E, G : 2/A
- | Core/Insulation Crimp: Pins: C, F, H : E/A
- | Release Tool/Test Probe: 15315247/J-35616-2A (GY)

Terminal Part Information

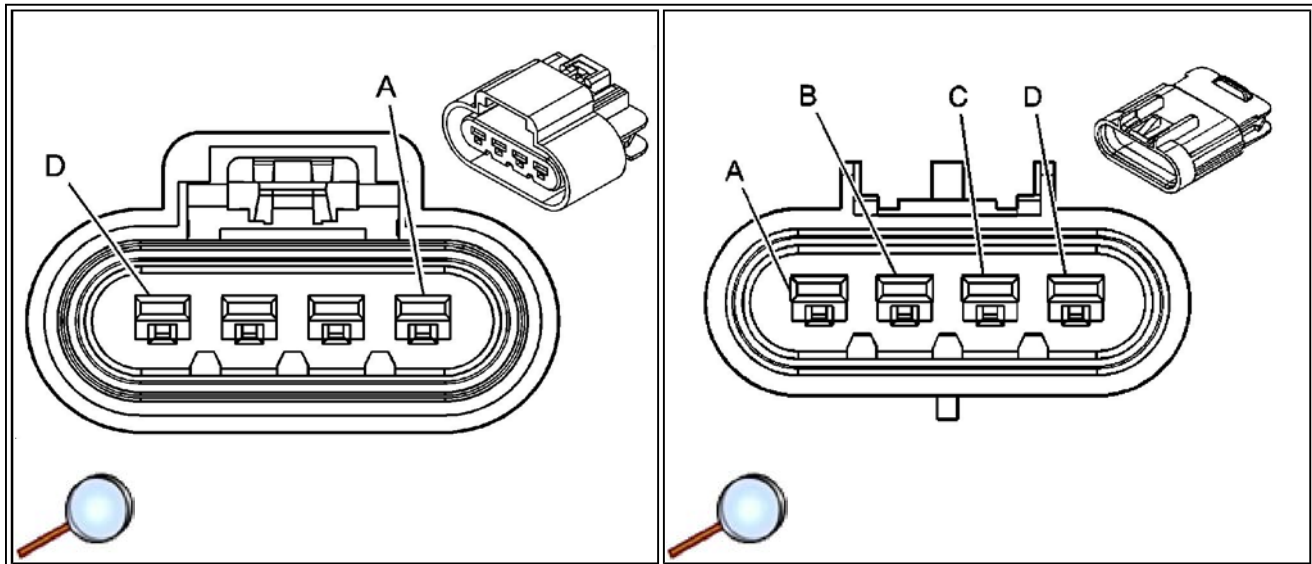
- | Pins: A-H
- | Terminal/Tray: 15326269/19
- | Core/Insulation Crimp: Pins: A, B, D, E, G : E/1
- | Core/Insulation Crimp: Pins: C, F, H : E/4
- | Release Tool/Test Probe: 15315247/J-35616-3 (GY)

C455 Rear Body Harness to I/P Harness

Pin	Wire Color	Circuit No.	Function	Pin	Wire Color	Circuit No.	Function
A	BK	750	Ground	A	BK	750	Ground
B	L-BU	20	Stop Lamp Supply Voltage	B	L-BU	20	Stop Lamp Supply Voltage

C	L-GN	24	Backup Lamp Supply Voltage	C	L-GN	24	Backup Lamp Supply Voltage
D	YE	18	Left Rear Stop/Turn Lamp Supply Voltage	D	YE	18	Left Rear Stop/Turn Lamp Supply Voltage
E	BN	9	Park Lamp Supply Voltage	E	BN	9	Park Lamp Supply Voltage
F	TN	1576	Rear Compartment Lock Actuator Unlock	F	TN	1576	Rear Compartment Lock Actuator Unlock
G	D-GN	19	Right Rear Stop/Turn Lamp Supply Voltage	G	D-GN	19	Right Rear Stop/Turn Lamp Supply Voltage
H	OG	122	Rear Fog Lamp Supply Voltage (T79)	H	OG	122	Rear Fog Lamp Supply Voltage (T79)

C459 Fuel Tank Jumper - Left Harness to Fuel Tank Harness



Connector Part Information

- | OEM: 15326631
- | Service: 15306360
- | Description: 4-Way F GT 280 Series, Sealed (BK)

Connector Part Information

- | OEM: 15326633
- | Service: 15306361
- | Description: 4-Way M GT 280 Series, Sealed (BK)

Terminal Part Information

- | Terminal/Tray: See Terminal Repair Kit
- | Core/Insulation Crimp: See Terminal

Terminal Part Information

- | Pins: A, D
- | Terminal/Tray: 15304732/8
- | Core/Insulation Crimp: A/5
- | Release Tool/Test Probe: 15315247/J-35616-5 (PU)

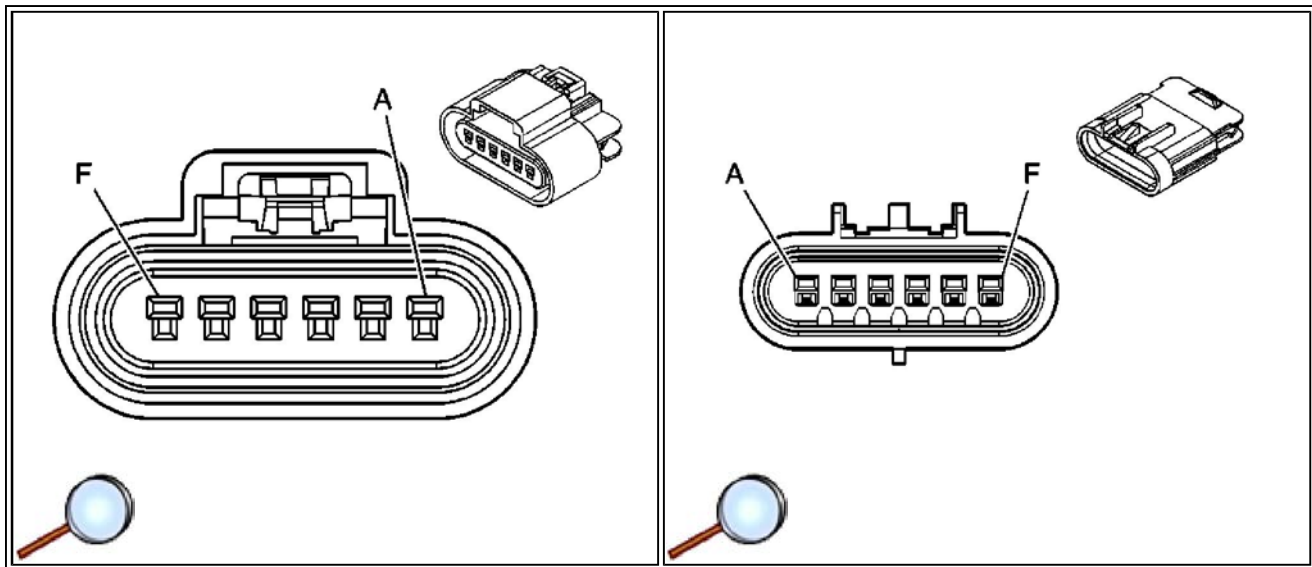
Repair Kit
 I Release Tool/Test Probe: See Terminal Repair Kit

I Pins: B, C
 I Terminal/Tray: 15304731/19
 I Core/Insulation Crimp: E/5
 I Release Tool/Test Probe: 15315247/J-35616-5 (PU)

C459 Fuel Tank Jumper - Left Harness to Fuel Tank Harness

Pin	Wire Color	Circuit No.	Function	Pin	Wire Color	Circuit No.	Function
A	GY	120	Fuel Pump Supply Voltage	A	GY	120	Fuel Pump Supply Voltage
B	BK	2759	Low Reference	B	TN	2759	Low Reference
C	D-BU	1936	Fuel Level Sensor Signal - Primary	C	D-BU	1936	Fuel Level Sensor Signal - Primary
D	BK	850	Ground	D	BK	850	Ground

C460 Fuel Tank Jumper - Right Harness to Fuel Tank Harness



Connector Part Information

I OEM: 15326829
 I Service: 88953153
 I Description: 6-Way F GT 150 Series, Sealed 4.0 (BK)

Connector Part Information

I OEM: 15326833
 I Service: 15326833
 I Description: 6-Way M GT 150 Series, Sealed 4.0 (BK)

Terminal Part Information

Terminal Part Information

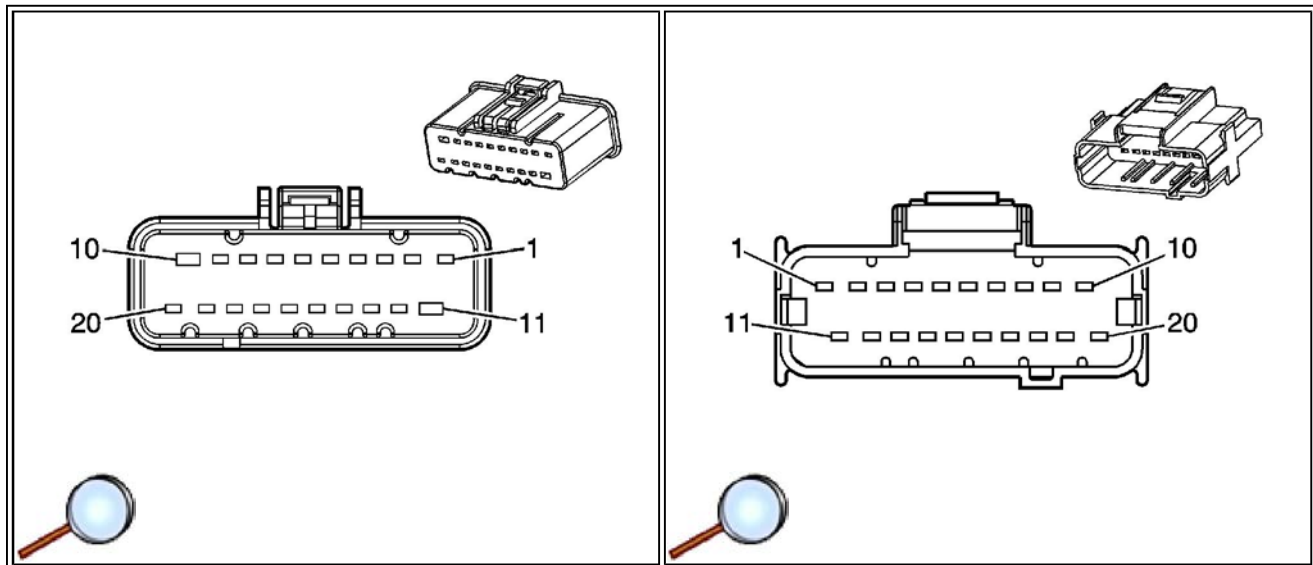
- I Pins: A-E
- I Terminal/Tray: See Terminal Repair Kit
- I Core/Insulation Crimp: See Terminal Repair Kit
- I Release Tool/Test Probe: See Terminal Repair Kit

- I Pins: A-E
- I Terminal/Tray: 15326269/19
- I Core/Insulation Crimp: E/4
- I Release Tool/Test Probe: 15315247/J-35616-3 (GY)

C460 Fuel Tank Jumper - Right Harness to Fuel Tank Harness

Pin	Wire Color	Circuit No.	Function	Pin	Wire Color	Circuit No.	Function
A	L-BU	1937	Fuel Level Sensor Signal - Secondary	A	L-BU	1937	Fuel Level Sensor Signal - Secondary
B	BK	2759	Low Reference	B	TN	2759	Low Reference
C	BK	850	Ground	C	BK	850	Ground
D	D-GN	890	Fuel Tank Pressure Sensor Signal	D	D-GN	890	Fuel Tank Pressure Sensor Signal
E	GY	2709	5-Volt Reference 1	E	GY	2709	5-Volt Reference 1
F	--	--	Not Used	F	--	--	Not Used

C501 Driver Door Harness to I/P Harness



Connector Part Information

- I OEM: E-3140-001
- I Service: 89047398
- I Description: 20-Way F (BK)

Connector Part Information

- I OEM: E-3143-001
- I Service: 89047199
- I Description: 20-Way M (BK)

Terminal Part Information

I Pins: 1 (U66), 2 (U66)
 I Terminal/Tray: 7116-4101-08/9
 I Core/Insulation Crimp: E/A
 I Release Tool/Test Probe: 12094430/J-35616-2A (GY)

I Pins: 1 (U66), 2 (U66)
 I Terminal/Tray: 7114-4101-08/9
 I Core/Insulation Crimp: C/A
 I Release Tool/Test Probe: 15315247/J-35616-3 (GY)

I Pins: 1 (U65), 2 (U65), 3-8, 12, 13, 15-20
 I Terminal/Tray: 7116-4100-08/9
 I Core/Insulation Crimp: E/C
 I Release Tool/Test Probe: 12094430/J-35616-2A (GY)

I Pins: 1 (U65), 2 (U65), 3-8, 12, 13, 15-20
 I Terminal/Tray: 7114-4100-08/9
 I Core/Insulation Crimp: E/C
 I Release Tool/Test Probe: 15315247/J-35616-3 (GY)

I Pins: 10, 11
 I Terminal/Tray: 7116-4112-02/9
 I Core/Insulation Crimp: C/D
 I Release Tool/Test Probe: 12094430/J-35616-35 (VT)

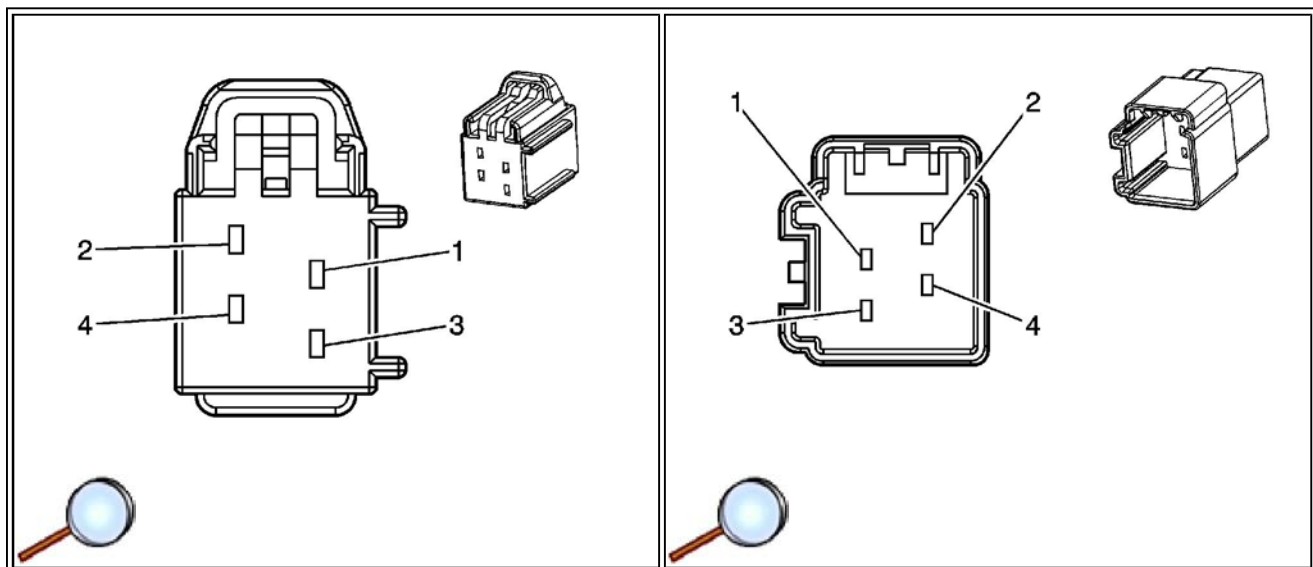
I Pins: 10, 11
 I Terminal/Tray: 7114-4112-02/9
 I Core/Insulation Crimp: C/D
 I Release Tool/Test Probe: 12094430/J-35616-5 (PU)

C501 Driver Door Harness to I/P Harness

Pin	Wire Color	Circuit No.	Function	Pin	Wire Color	Circuit No.	Function
1	TN	201	Left Front Subwoofer Speaker Output (+) (U66)	1	TN	201	Left Front Subwoofer Speaker Output (+) (U66)
	L-GN	5782	Left Front Subwoofer Speaker Output (+) (U65)		L-GN	5782	Left Front Subwoofer Speaker Output (+) (U65)
2	GY	118	Left Front Subwoofer Speaker Output (-) (U66)	2	GY	118	Left Front Subwoofer Speaker Output (-) (U66)
	D-GN	5783	Left Front Subwoofer Speaker Output (-) (U65)		D-GN	5783	Left Front Subwoofer Speaker Output (-) (U65)
3	RD/WH	340	Battery Positive Voltage	3	RD/WH	340	Battery Positive Voltage
4	L-GN/BK	394	Left Front Door Handle Switch Signal (1)	4	L-GN/BK	394	Left Front Door Handle Switch Signal (1)
5	BN	1046	DDM Class 2 Serial Data	5	BN	1046	DDM Class 2 Serial Data
6	GY	1690	Automatic Day/Night Mirror Signal (DD8)	6	GY	1690	Automatic Day/Night Mirror Signal (DD8)
7	PK	1691	Automatic Day/Night Mirror Low Reference (DD8)	7	PK	1691	Automatic Day/Night Mirror Low Reference (DD8)
8	WH	1487	Antenna Enable Signal (U65)	8	WH	1487	Antenna Enable Signal (U65)
9	--	--	Not Used	9	--	--	Not Used
10	RD/WH	1440	Battery Positive Voltage	10	RD/WH	1440	Battery Positive Voltage

11	BK	1450	Ground	11	BK	1450	Ground
12	BN	5131	Door Lock Actuator Deadbolt Lock Control (UA2)	12	BN	5131	Door Lock Actuator Deadbolt Lock Control (UA2)
13	D-GN	5664	Door Lock Actuator Deadbolt Unlock Control (UA2)	13	D-GN	5664	Door Lock Actuator Deadbolt Unlock Control (UA2)
14	--	--	Not Used	14	--	--	Not Used
15	OG	5880	Left Front Interior Door Handle Switch Signal	15	OG	5880	Left Front Interior Door Handle Switch Signal
16	WH	2132	Side Impact Sensing Module Left - Signal (AJ7)	16	WH	2132	Side Impact Sensing Module Left - Signal (AJ7)
17	YE	2131	Side Impact Sensing Module Left - Voltage (AJ7)	17	YE	2131	Side Impact Sensing Module Left - Voltage (AJ7)
18	BK	1450	Ground	18	BK	1450	Ground
19	L-BU	1957	Left Front Midrange Speaker Output (-)	19	L-BU	1957	Left Front Midrange Speaker Output (-)
20	D-BU	1857	Left Front Midrange Speaker Output (+)	20	D-BU	1857	Left Front Midrange Speaker Output (+)

C503 Driver Door Harness to I/P Harness (AAB)



Connector Part Information

- | OEM: E-3507-001
- | Service: 88988063
- | Description: 4-Way F (BK)

Connector Part Information

- | OEM: E-3504-001
- | Service: 88988137
- | Description: 4-Way M (BK)

Terminal Part Information

- | Pins: 1, 4
- | Terminal/Tray: 7116-4112-02/9
- | Core/Insulation Crimp: C/D
- | Release Tool/Test Probe: 12094430/J-35616-35 (VT)

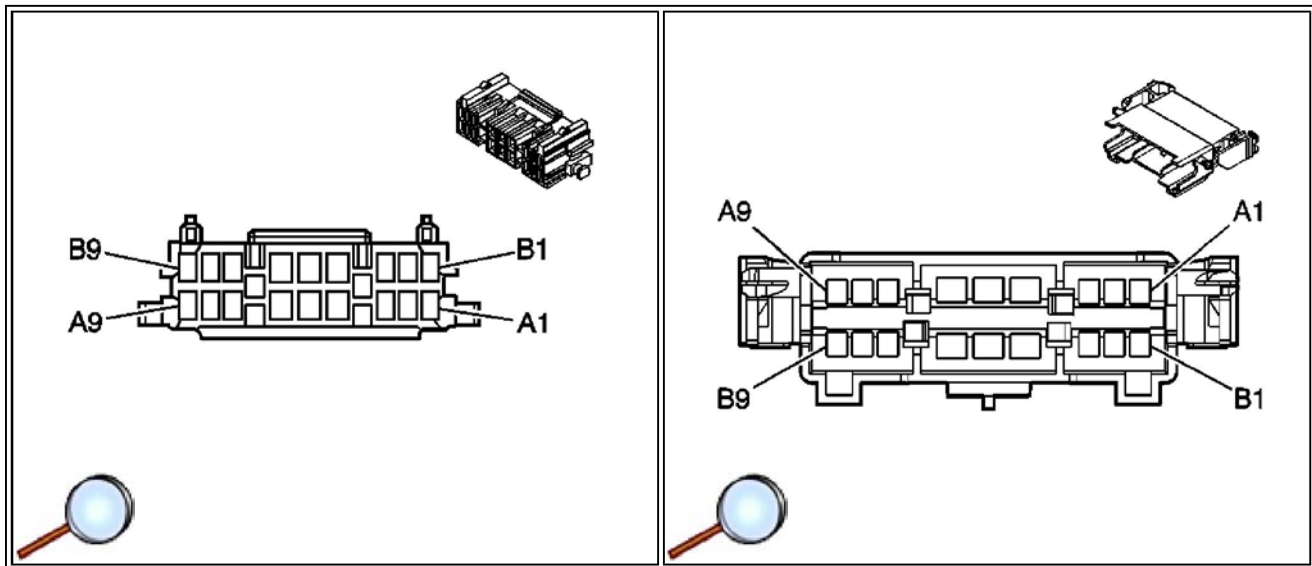
Terminal Part Information

- | Pins: 1, 4
- | Terminal/Tray: 7114-4112-02/9
- | Core/Insulation Crimp: C/D
- | Release Tool/Test Probe: 12094430/J-35616-5 (PU)

C503 Driver Door Harness to I/P Harness

Pin	Wire Color	Circuit No.	Function	Pin	Wire Color	Circuit No.	Function
1	RD/WH	142	Battery Positive Voltage	1	RD/WH	142	Battery Positive Voltage
2-3	--	--	Not Used	2-3	--	--	Not Used
4	BK/WH	651	Ground	4	BK/WH	651	Ground

C555 Driver Door Harness to Driver Door Trim Harness



Connector Part Information

- | OEM: 15304692
- | Service: 15304692
- | Description: 18-Way F GT 150 280 Series (BK)

Connector Part Information

- | OEM: 15336468
- | Service: 15336468
- | Description: 18-Way M GT 150 280 Series (BK)

Terminal Part Information

I Pins: A1, A2, A8, A9, B1-B3
 I Terminal/Tray: 12191812/19
 I Core/Insulation Crimp: E/C
 I Release Tool/Test Probe: 15315247/J-35616-2A (GY)

I Pins: A4, A5
 I Terminal/Tray: 15304711/8
 I Core/Insulation Crimp: E/A
 I Release Tool/Test Probe: 15315247/J-35616-4A (PU)

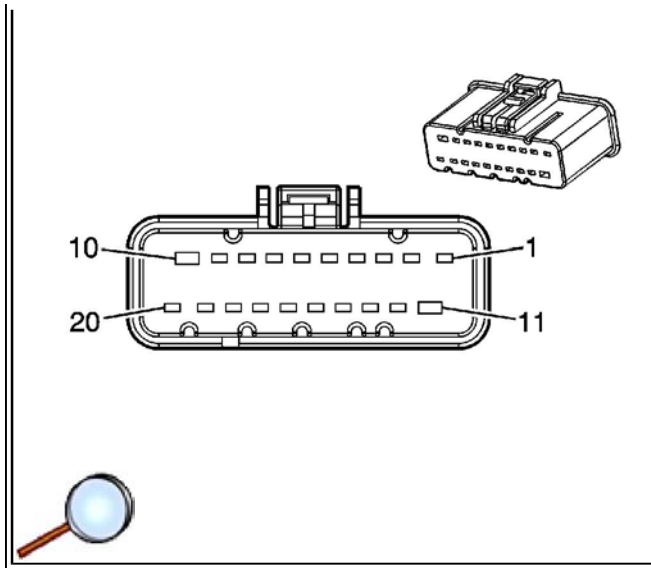
I Pins: A1, A2, A8, A9, B1-B3
 I Terminal/Tray: 15304702/19
 I Core/Insulation Crimp: Pins: B1, B3, A9 : E/4
 I Core/Insulation Crimp: Pins: A1, A2, A8, B2 : E/C
 I Release Tool/Test Probe: 15315247/J-35616-3 (GY)

I Pins: A4, A5
 I Terminal/Tray: 15304722/8
 I Core/Insulation Crimp: E/C
 I Release Tool/Test Probe: 15315247/J-35616-5 (PU)

C555 Driver Door Harness to Driver Door Trim Harness

Pin	Wire Color	Circuit No.	Function	Pin	Wire Color	Circuit No.	Function
A1	PU/WH	5965	Driver Lock Indicator Voltage	A1	PU/WH	5965	Driver Lock Indicator Voltage
A2	BN	5881	Left Front Interior Door Handle Switch Signal	A2	BN	5881	Left Front Interior Door Handle Switch Signal
A3	--	--	Not Used	A3	--	--	Not Used
A4	BN	1046	DDM Class 2 Serial Data	A4	BN	1046	DDM Class 2 Serial Data
	BN	1046	DDM Class 2 Serial Data		BN	1046	DDM Class 2 Serial Data
A5	RD/WH	340	Battery Positive Voltage	A5	RD/WH	340	Battery Positive Voltage
A6-A7	--	--	Not Used	A6-A7	--	--	Not Used
A8	GY	1359	LCD Backlighting Lamp Control	A8	GY	1359	LCD Backlighting Lamp Control
A9	L-BU	1957	Left Front Midrange Speaker Output (-)	A9	L-BU	1957	Left Front Midrange Speaker Output (-)
B1	D-BU	1857	Left Front Midrange Speaker Output (+)	B1	D-BU	1857	Left Front Midrange Speaker Output (+)
B2	OG	5880	Left Front Interior Door Handle Switch Signal	B2	OG	5880	Left Front Interior Door Handle Switch Signal
B3	BK	1450	Ground	B3	BK	1450	Ground
B4-B9	--	--	Not Used	B4-B9	--	--	Not Used

C600 Passenger Door Harness to I/P Harness



Connector Part Information

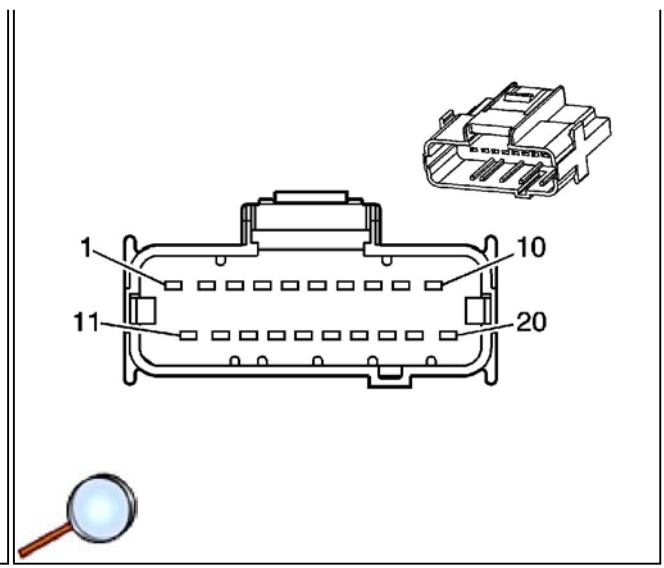
- | OEM: E-3140-001
- | Service: 89047398
- | Description: 20-Way F (BK)

Terminal Part Information

- | Pins: 1 (U66), 2 (U66)
- | Terminal/Tray: 7116-4101-08/9
- | Core/Insulation Crimp: E/A
- | Release Tool/Test Probe: 12094430/J35616-2A (GY)

- | Pins: 1 (U65), 2 (U65), 4, 5, 8, 15-20
- | Terminal/Tray: 7116-4100-08/9
- | Core/Insulation Crimp: E/C
- | Release Tool/Test Probe: 12094430/J35616-2A (GY)

- | Pins: 10, 11
- | Terminal/Tray: 7116-4112-02/9
- | Core/Insulation Crimp: C/D
- | Release Tool/Test Probe: 12094430/J35616-35 (VT)



Connector Part Information

- | OEM: E-3143-001
- | Service: 89047199
- | Description: 20-Way M (BK)

Terminal Part Information

- | Pins: 1 (U66), 2 (U66)
- | Terminal/Tray: 7114-4101-08/9
- | Core/Insulation Crimp: C/A
- | Release Tool/Test Probe: 15315247/J-35616-3 (GY)

- | Pins: 1 (U65), 2 (U65), 4, 5, 8, 15-20
- | Terminal/Tray: 7114-4100-08/9
- | Core/Insulation Crimp: E/C
- | Release Tool/Test Probe: 15315247/J-35616-3 (GY)

- | Pins: 10, 11
- | Terminal/Tray: 7114-4112-02/9
- | Core/Insulation Crimp: C/D
- | Release Tool/Test Probe: 12094430/J-35616-5 (PU)

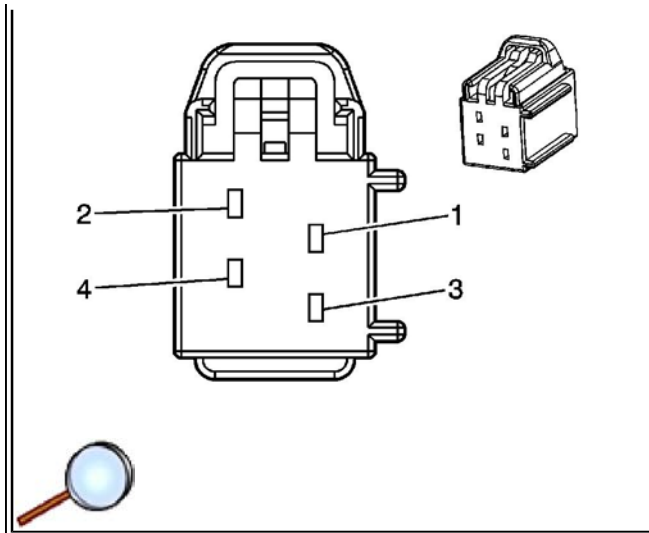
C600 Passenger Door Harness to I/P Harness

Pin	Wire Color	Circuit No.	Function	Pin	Wire Color	Circuit No.	Function
1	L-GN	200	Right Front Subwoofer Speaker Output (+) (U66)	1	L-GN	200	Right Front Subwoofer Speaker Output (+) (U66)
			Right Front				Right Front

	L-BU	5784	Subwoofer Speaker Output (+) (U65)		L-BU	5784	Subwoofer Speaker Output (+) (U65)
2	D-GN	117	Right Front Subwoofer Speaker Output (-) (U66)	2	D-GN	117	Right Front Subwoofer Speaker Output (-) (U66)
	D-BU	5785	Right Front Subwoofer Speaker Output (-) (U65)		D-BU	5785	Right Front Subwoofer Speaker Output (-) (U65)
3	--	--	Not Used	3	--	--	Not Used
4	L-BU	395	Right Front Door Handle Switch Signal	4	L-BU	395	Right Front Door Handle Switch Signal
5	TN	1047	PDM Class 2 Serial Data	5	TN	1047	PDM Class 2 Serial Data
6-7	--	--	Not Used	6-7	--	--	Not Used
8	WH	1487	Antenna Enable Signal (U65)	8	WH	1487	Antenna Enable Signal (U65)
9	--	--	Not Used	9	--	--	Not Used
10	RD/WH	1440	Battery Positive Voltage	10	RD/WH	1440	Battery Positive Voltage
11	BK	1550	Ground	11	BK	1550	Ground
12-14	--	--	Not Used	12-14	--	--	Not Used
15	PU	5877	Right Front Interior Door Handle Switch Signal	15	PU	5877	Right Front Interior Door Handle Switch Signal
16	D-GN	2134	Side Impact Sensing Module Right - Signal (AJ7)	16	D-GN	2134	Side Impact Sensing Module Right - Signal (AJ7)
17	TN	2133	Side Impact Sensing Module Right - Voltage (AJ7)	17	TN	2133	Side Impact Sensing Module Right - Voltage (AJ7)
18	BK	1550	Ground	18	BK	1550	Ground
19	D-GN	1953	Right Front Midrange Speaker Output (-)	19	D-GN	1953	Right Front Midrange Speaker Output (-)
20	OG	1853	Right Front Midrange Speaker Output (+)	20	OG	1853	Right Front Midrange Speaker Output (+)

C602 Passenger Door Harness to I/P Harness (U65)

--	--

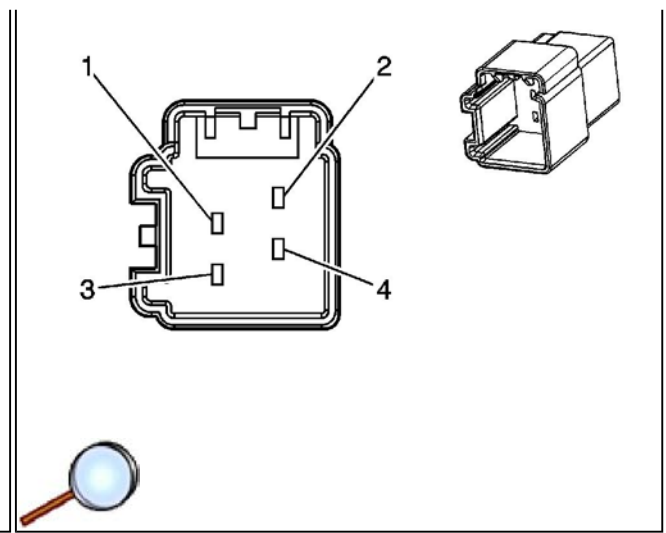


Connector Part Information

- | OEM: E-3507-001
- | Service: 88988063
- | Description: 4-Way F 2.8 Series (BK)

Terminal Part Information

- | Terminal/Tray: 7116-4112-02/9
- | Core/Insulation Crimp: C/D
- | Release Tool/Test Probe: 12094430/J-35616-35 (VT)



Connector Part Information

- | OEM: E-3504-001
- | Service: 88988137
- | Description: 4-Way M 2.8 Series (BK)

Terminal Part Information

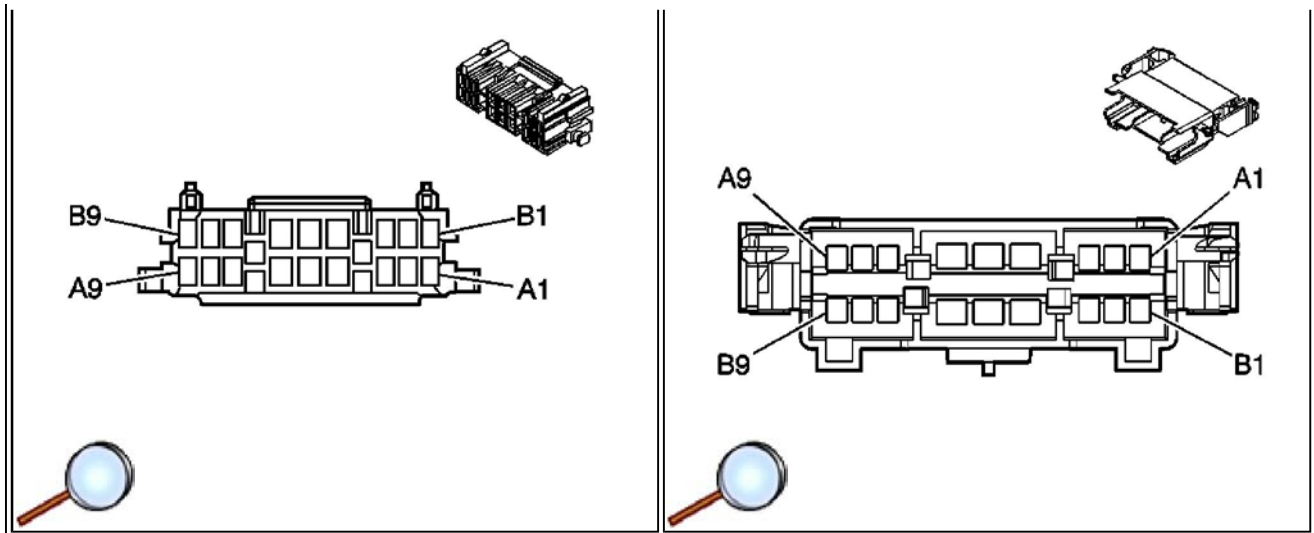
- | Terminal/Tray: 7114-4112-02/9
- | Core/Insulation Crimp: C/D
- | Release Tool/Test Probe: 12094430/J-35616-5 (PU)

C602 Passenger Door Harness to I/P Harness (U65)

Pin	Wire Color	Circuit No.	Function	Pin	Wire Color	Circuit No.	Function
1	RD/BK	142	Battery Positive Voltage	1	RD/BK	142	Battery Positive Voltage
2-3	--	--	Not Used	2-3	--	--	Not Used
4	BK/WH	651	Ground	4	BK/WH	651	Ground

C666 Passenger Door Harness to Passenger Door Trim Harness

--	--



Connector Part Information

- | OEM: 15304692
- | Service: 15304692
- | Description: 18-Way F GT 150 280 Series (BK)

Connector Part Information

- | OEM: 15336468
- | Service: 15336468
- | Description: 18-Way M GT 150 280 Series (BK)

Terminal Part Information

- | Pins: A1, A2, A8, A9, B1-B3, B7-B9
- | Terminal/Tray: 12191812/19
- | Core/Insulation Crimp: E/C
- | Release Tool/Test Probe: 15315247/J-35616-2A (GY)

- | Pins: B4, B5
- | Terminal/Tray: 15304711/8
- | Core/Insulation Crimp: E/A
- | Release Tool/Test Probe: 15315247/J-35616-4A (PU)

Terminal Part Information

- | Pins: A1, A2, A8, A9, B1-B3, B7-B9
- | Terminal/Tray: 15304702/19
- | Core/Insulation Crimp: Pins: B3 : E/4
- | Core/Insulation Crimp: Pins: A1, A2, A8, A9, B1, B2, B7-B9: E/C
- | Release Tool/Test Probe: 15315247/J-35616-3 (GY)

- | Pins: B4, B5
- | Terminal/Tray: 15304722/8
- | Core/Insulation Crimp: E/C
- | Release Tool/Test Probe: 15315247/J-35616-5 (PU)

C666 Passenger Door Harness to Passenger Door Trim Harness

Pin	Wire Color	Circuit No.	Function	Pin	Wire Color	Circuit No.	Function
A1	PU/WH	5967	Passenger Lock Indicator Voltage	A1	PU/WH	5967	Passenger Lock Indicator Voltage
A2	GY	5878	Right Front Interior Door Handle Switch Signal	A2	GY	5878	Right Front Interior Door Handle Switch Signal
A3-A7	--	--	Not Used	A3-A7	--	--	Not Used

A8	GY	1359	LCD Backlighting Lamp Control	A8	GY	1359	LCD Backlighting Lamp Control
A9	L-BU	244	Passenger Door Lock Switch Lock Control	A9	L-BU	244	Passenger Door Lock Switch Lock Control
B1	D-BU	245	Passenger Door Lock Switch Unlock Control	B1	D-BU	245	Passenger Door Lock Switch Unlock Control
B2	PU	5877	Right Front Interior Door Handle Switch Signal	B2	PU	5877	Right Front Interior Door Handle Switch Signal
B3	BK	1550	Ground	B3	BK	1550	Ground
B4	OG	1853	Right Front Midrange Speaker Output (+)	B4	OG	1853	Right Front Midrange Speaker Output (+)
B5	D-GN	1953	Right Front Midrange Speaker Output (-)	B5	D-GN	1953	Right Front Midrange Speaker Output (-)
B6	--	--	Not Used	B6	--	--	Not Used
B7	PU	2765	Power Window Switch Right Front Express Signal	B7	PU	2765	Power Window Switch Right Front Express Signal
B8	GY	1136	Power Window Master Switch Left Front Down Signal	B8	GY	1136	Power Window Master Switch Left Front Down Signal
B9	TN	1300	Power Window Master Switch Left Front Up Signal	B9	TN	1300	Power Window Master Switch Left Front Up Signal