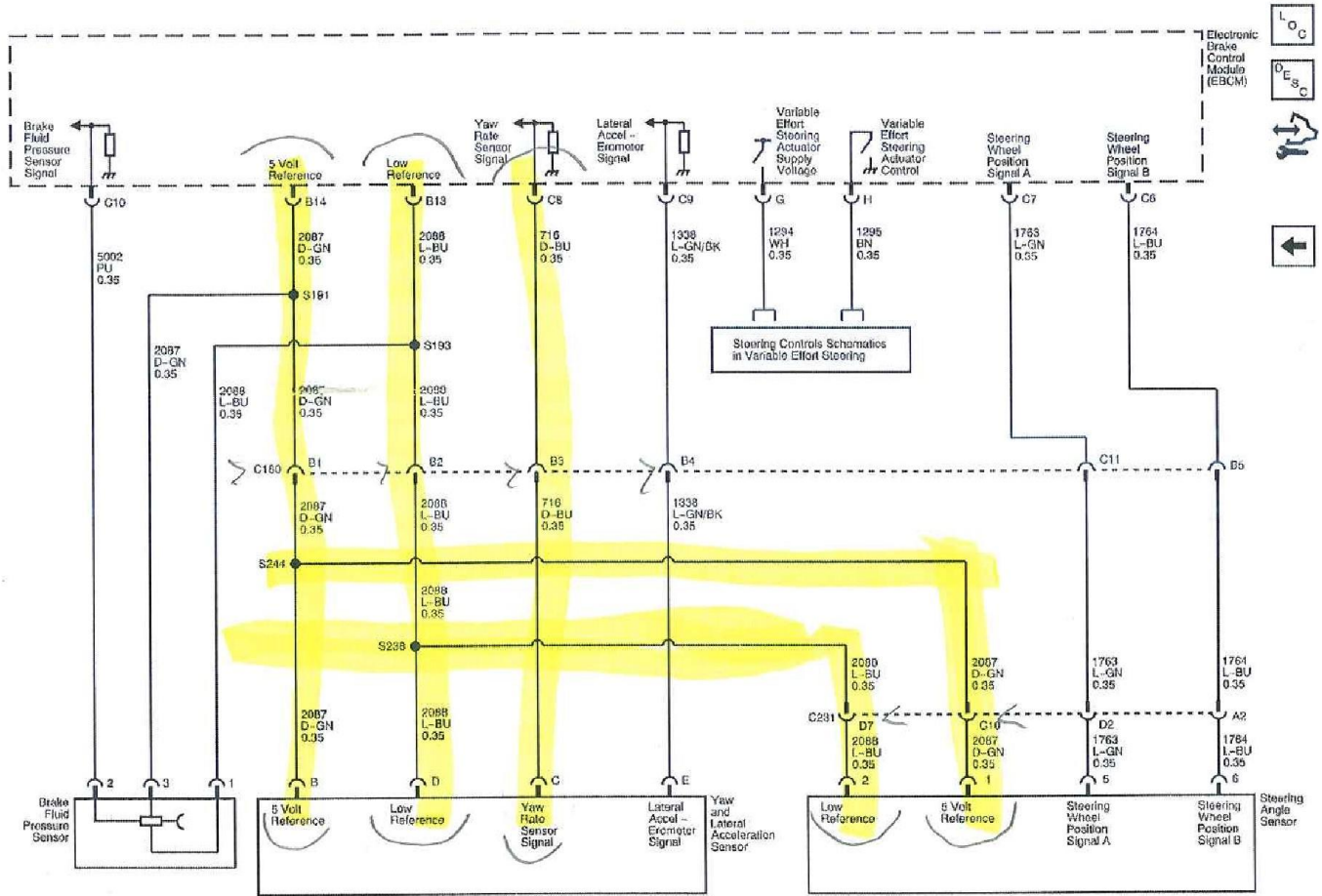


Stability Control Sensors



- In-line connectors between start and end points were eliminated, and, start and end connectors were replaced with standard GM connectors.
- Wiring run near the exhaust in the tunnel was relocated to be further from the heat source.

@ 2016 General Motors. All rights reserved,