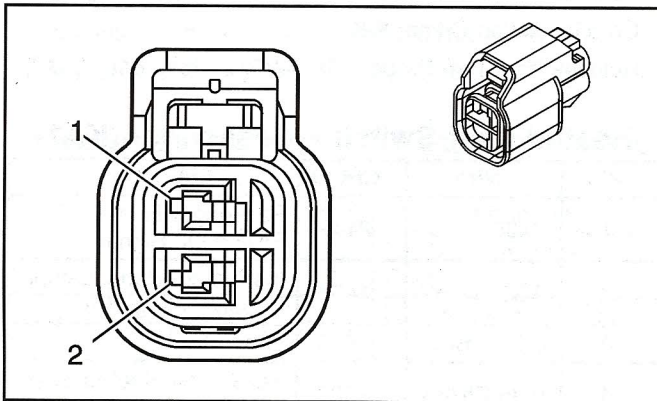


11-324 Wiring Systems and Power Management

Hood Ajar Switch (UA2)

Pin	Wire	Circuit	Function
A	0.35 PK/BK	109	Hood Ajar Switch Signal
B	0.35 BK	1250	Ground

Horn Assembly



1283850

Connector Part Information

OEM: E-2157-000

Service: 88988054

Description: 2-Way F 1.5 mm Sealed (BK)

Terminal Part Information

Terminal/Tray: 7116-4103-08/9

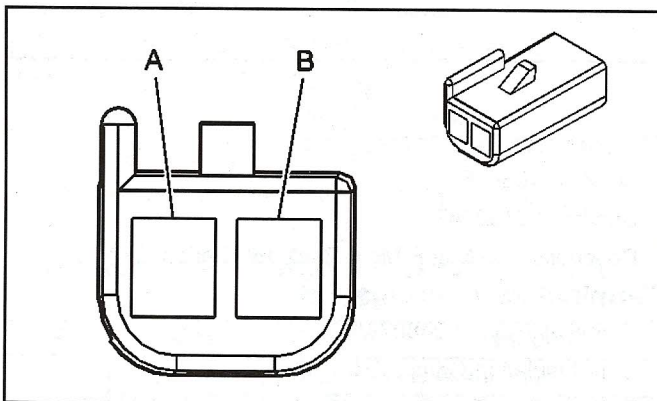
Core/Insulation Crimp: E/1

Release Tool/Test Probe: 12094430/J-35616-2A (GY)

Horn Assembly

Pin	Wire	Circuit	Function
1	0.8 D-GN	29	Horn Control
2	0.8 BK	1250	Ground

Horn Switch



35451

Connector Part Information

OEM: 12059251

Service: See Catalog

Description: 2-Way F (RD)

Terminal Part Information

Terminal/Tray: See Terminal Repair Kit

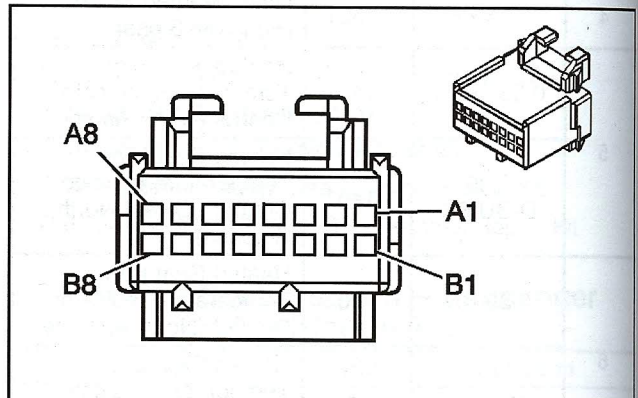
Core/Insulation Crimp: See Terminal Repair Kit

Release Tool/Test Probe: See Terminal Repair Kit

Horn Switch

Pin	Wire	Circuit	Function
A	0.35 BN	29	Horn Control
B	0.35 BK	1250	Ground

HVAC Control Module X1



744296

Connector Part Information

OEM: 12110259

Service: 12110259

Description: 16-Way F Micro-Pack 100 Series (GN)

Terminal Part Information

Terminal/Tray: 12146447/3

Core/Insulation Crimp: E/C

Release Tool/Test Probe: 12031876-1/J-35616-6 (BN)

HVAC Control Module X1

Pin	Wire	Circuit	Function
A1	0.5 BK	1550	Ground
A2	0.35 WH	1038	HVAC Class 2 Serial Data
A3-A6	—	—	Not Used
A7	0.35 D-GN	734	Inside Air Temperature Sensor Signal
A8	0.35 TN	516	Upper Left Air Temperature Sensor Signal
B1	0.35 YE	61	Low Reference
B2-B3	—	—	Not Used

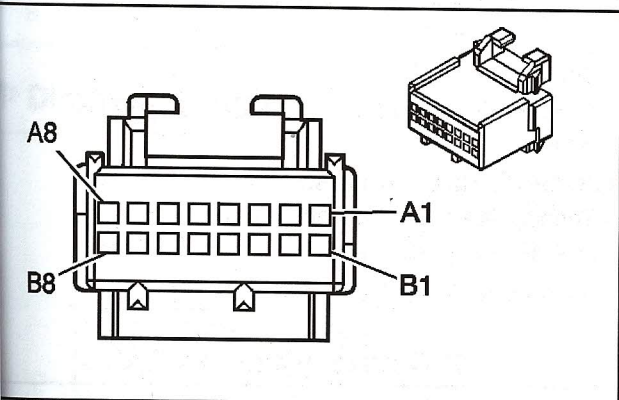
HVAC Control Module X1 (cont'd)

Pin	Wire	Circuit	Function
B4	0.35 L-GN/BK	735	Ambient Air Temperature Sensor Signal
B5	0.35 L-BU/BK	590	Driver Sunload Sensor Signal
B6	0.35 GY	1548	Passenger Sunload Sensor Signal
B7	0.35 WH	278	Ambient Light Sensor Signal
B8	0.35 TN	517	Upper Right Air Temperature Sensor Signal

HVAC Control Module X2 (cont'd)

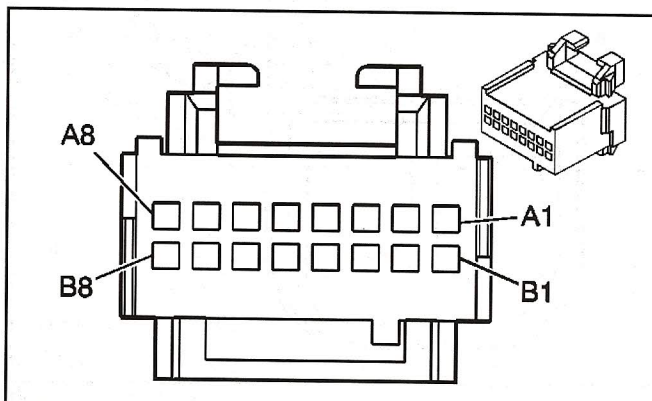
Pin	Wire	Circuit	Function
B1	0.35 GY/BK	1458	Instrument Panel Lamp Supply Voltage 4
B2	0.35 GY/BK	1357	Instrument Panel Lamp Control
B3	0.35 GY/BK	754	Blower Motor Speed Control
B4	0.35 GY	5961	Passenger Seat Temperature Control Signal (KA1)
B5	0.35 YE	182	Driver Seat Temperature Control Signal
B6-B8	—	—	Not Used

HVAC Control Module X2



744296

HVAC Control Module X3



73152

Connector Part Information

OEM: 12084944
 Service: 12084944
 Description: 16-Way F Micro-Pack 100 Series (BK)

Terminal Part Information

Terminal/Tray: 12146447/3
 Core/Insulation Crimp: E/C
 Release Tool/Test Probe: 12031876-1/J-35616-6 (BN)

Connector Part Information

OEM: 12084945
 Service: 12084945
 Description: 16-Way F Micro-Pack 100 Series (GY)

Terminal Part Information

Terminal/Tray: See Terminal Repair Kit
 Core/Insulation Crimp: See Terminal Repair Kit
 Release Tool/Test Probe: See Terminal Repair Kit

HVAC Control Module X2

Pin	Wire	Circuit	Function
A1	0.35 WH	193	Rear Defog Relay Control
A2	—	—	Not Used
A3	0.35 L-GN	5962	Inside Air Temperature Sensor Blower Control
A4	0.35 D-BU	2181	Passenger Heated Seat Control Module Status Signal (KA1)
A5	0.35 L-BU/WH	181	Driver Heated Seat Control Module Status Signal (KA1)
A6	—	—	Not Used
A7	0.35 PK	639	Ignition 1 Voltage
A8	0.5 RD/WH	1240	Battery Positive Voltage

HVAC Control Module X3

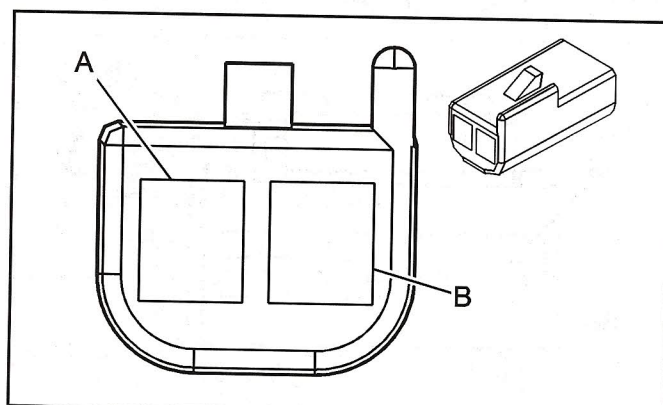
Pin	Wire	Circuit	Function
A1	0.35 D-BU/WH	1199	Left Air Temperature Door Control A
A2	0.35 WH/BK	1236	Right Air Temperature Door Control A
A3	0.35 L-GN/BK	1647	Recirculation Door Control A
A4	0.35 TN	2273	Mode Door Control A
A5	0.35 BN	718	Low Reference
A6	0.35 TN	518	Lower Left Air Temperature Sensor Signal
A7	0.35 GY	720	Low Reference

11-326 Wiring Systems and Power Management

HVAC Control Module X3 (cont'd)

Pin	Wire	Circuit	Function
A8	0.35 TN/BK	520	Lower Right Air Temperature Sensor Signal
B1	0.35 YE	1791	Left Air Temperature Door Control B
B2	0.35 D-BU	1646	Right Air Temperature Door Control B
B3	0.35 PK/WH	1648	Recirculation Door Control B
B4	0.35 L-GN	2275	Mode Door Control B
B5-B8	—	—	Not Used

I/P Compartment Lamp



82383

Connector Part Information

OEM: 12047662

Service: 12085535

Description: 2-Way F Metri-Pack 150 Series (BK)

Terminal Part Information

Terminal/Tray: 12064971/5

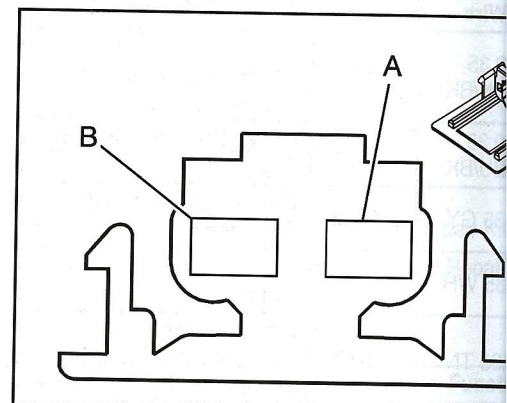
Core/Insulation Crimp: E/C

Release Tool/Test Probe: 12094429/J-35616-2A (GY)

I/P Compartment Lamp

Pin	Wire	Circuit	Function
A	0.35 OG	1732	Courtesy Lamp Supply Voltage
B	0.35 BK	1550	Ground

I/P Courtesy Lamp – Left



Connector Part Information

OEM: 12162223

Service: 12166036

Description: 2-Way F Lamp Socket Wedge B Series (CL)

Terminal Part Information

Terminal/Tray: Service With Pigtail

Core/Insulation Crimp: N/A

Release Tool/Test Probe: N/A

I/P Courtesy Lamp – Left

Pin	Wire	Circuit	Function
A	0.5 OG	1732	Courtesy Lamp Voltage
B	0.5 WH	156	Courtesy Lamp Control

I/P Courtesy Lamp – Right

