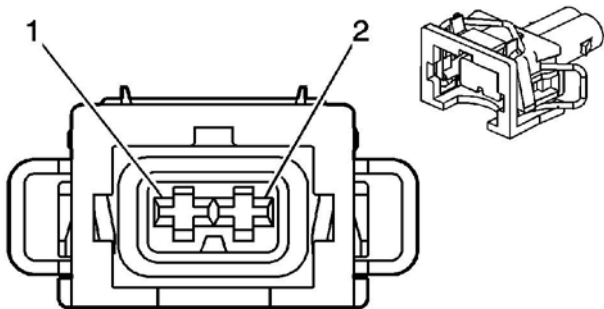


Charge Air Cooler (CAC) Coolant Pump (LS9)



Connector Part Information

- OEM: 12131678
- Service: See Catalog
- Description: 2-Way F Mini Timer Series, Sealed (BK)

Terminal Part Information

- Terminal/Tray: See Terminal Repair Kit
- Core/Insulation Crimp: See Terminal Repair Kit
- Release Tool/Test Probe: See Terminal Repair Kit

Charge Air Cooler (CAC) Coolant Pump (LS9)

Pin	Wire	Circuit	Function
1	2.0 BK	1250	Ground
2	2.0 TN	2022	Coolant Pump Control