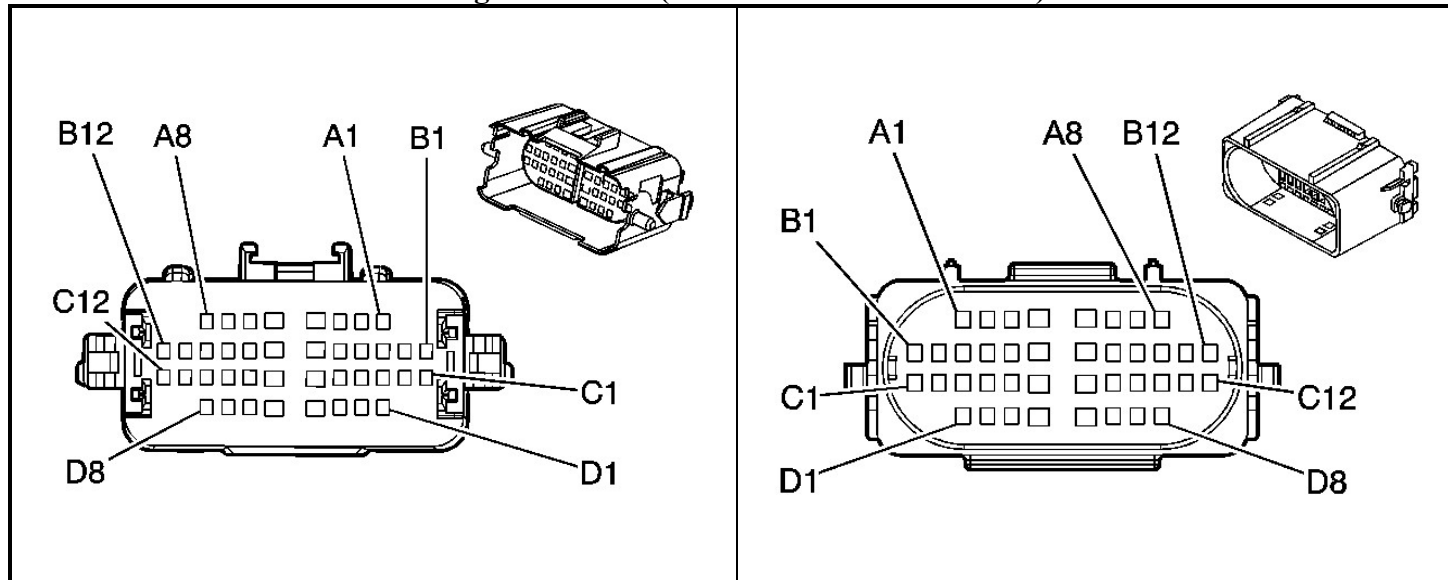


C184 TRANSMISSION HARNESS TO ENGINE HARNESS (MYC OR MM6/MZ6 W/F55)

C184 Transmission Harness to Engine Harness (MYC or MM6/MZ6 w/F55) Connector End View



C184 Transmission Harness to Engine Harness (MYC or MM6/MZ6 w/F55) Connector Parts Information

Connector Part Information	Connector Part Information
<ul style="list-style-type: none"> • OEM: 15392711 • Service: 15392711 • Description: 40-Way F GT 150, 280 Series, Sealed (BU) 	<ul style="list-style-type: none"> • OEM: 15392709 • Service: 15392709 • Description: 40-Way M GT 150 280 Series, Sealed 4.0 5.2 (BU)
Terminal Part Information	Terminal Part Information
<ul style="list-style-type: none"> • Pins: A2, A3, A6-A8, B1-B3, B5, B8-B12, C1-C5, C8-C12, D1-D3, D6-D8 • Terminal/Tray: 12191819/8 • Core/Insulation Crimp: Pins: A2 : 2/A • Core/Insulation Crimp: Pins: A2, A3, A6-A8, B1-B3, B5, B8-B12, C1-C3, C4, C5, C8-C12, D1-D3, D6-D8 : E/A • Release Tool/Test Probe: 15315247/J-35616-2A (GY) • Pins: A4, B6 • Terminal/Tray: 15304717/8 • Core/Insulation Crimp: Pins: A4 : 4/1 • Core/Insulation Crimp: Pins: B6 : C/1 	<ul style="list-style-type: none"> • Pins: A2, A3, A6-A8, B1-B3, B5, B8-B12, C1-C5, C8-C12, D1-D3, D6-D8 • Terminal/Tray: 15326269/19 • Core/Insulation Crimp: Pins: A2 : E/1 • Core/Insulation Crimp: Pins: A2, A3, A6-A8, B1-B3, B5, B8-B12, C1-C5, C8-C12, D1-D3, D6-D8 : E/4 • Release Tool/Test Probe: 15315247/J-35616-3 (GY) • Pins: A4, C6 • Terminal/Tray: 15304729/8 • Core/Insulation Crimp: C/1 • Release Tool/Test Probe: 15315247/J-35616-5 (PU)

2007 Chevrolet Corvette

2007 Power and Signal Distribution Wiring Systems and Power Management - Corvette

- Release Tool/Test Probe: 15315247/J-35616-4A (PU)
- Pins: A5, B7, C6, D4, D5
- Terminal/Tray: 15304716/8
- Core/Insulation Crimp: 2/1
- Release Tool/Test Probe: 15315247/J-35616-4A (PU)
- Pins: A5, B6, B7, D4, D5
- Terminal/Tray: 15304728/8
- Core/Insulation Crimp: Pins: A5, B7, D4, D5 : E/1
- Core/Insulation Crimp: Pins: B6 : 2/1
- Release Tool/Test Probe: 15315247/J-35616-5 (PU)

C184 Transmission Harness to Engine Harness (MYC or MM6/MZ6 w/F55) Connector Terminal Identification

Pin	Wire Color	Circuit No.	Function	Pin	Wire Color	Circuit No.	Function
A1	-	-	Not Used	A1	-	-	Not Used
A2	RD/WH	2440	Battery Positive Voltage (MYC)	A2	RD/WH	2440	Battery Positive Voltage (MYC)
	PK	239	Ignition 1 Voltage (MM6/MZ6 w/JL5)		PK	239	Ignition 1 Voltage (MM6/MZ6)
A3	YE	43	Accessory Voltage (MYC)	A3	YE	43	Accessory Voltage (MYC)
A4	GY	120	Fuel Pump Supply Voltage	A4	GY	120	Fuel Pump Supply Voltage
A5	OG	885	Left Rear Wheel Speed Sensor Low Reference	A5	OG	885	Left Rear Wheel Speed Sensor Low Reference
A6	WH	17	Stop Lamp Switch Signal (MYC)	A6	WH	17	Stop Lamp Switch Signal (MYC)
A7	PK	1339	Ignition 1 Voltage (MYC)	A7	PK	1339	Ignition 1 Voltage (MYC)
A8	PU	5526	Starter Relay Coil Supply Voltage (MYC)	A8	PU	5526	Starter Relay Coil Supply Voltage (MYC)
	YE	400	VSS High Signal (MM6/MZ6)		YE	400	VSS High Signal (MM6/MZ6)
B1	PU/WH	1211	Right Front Suspension Position Sensor Voltage Reference (F55)	B1	PU/WH	1211	Right Front Suspension Position Sensor Voltage Reference (F55)
B2	TN/WH	1213	Right Front Suspension	B2	TN/WH	1213	Right Front Suspension

2007 Chevrolet Corvette

2007 Power and Signal Distribution Wiring Systems and Power Management - Corvette

			Position Sensor Signal (F55)				Position Sensor Signal (F55)
B3	L-BU	1937	Fuel Level Sensor Signal - Right	B3	L-BU	1937	Fuel Level Sensor Signal - Right
B4	-	-	Not Used	B4	-	-	Not Used
B5	D-GN	890	Fuel Tank Pressure Sensor Signal	B5	D-GN	890	Fuel Tank Pressure Sensor Signal
B6	RD/WH	2840	Battery Positive Voltage	B6	RD/WH	2840	Battery Positive Voltage
B7	WH	883	Right Rear Wheel Speed Sensor Low Reference	B7	WH	883	Right Rear Wheel Speed Sensor Low Reference
B8	OG/BK	1786	Park/Neutral Signal (MYC)	B8	OG/BK	1786	Park/Neutral Signal (MYC)
	D-BU	75	RAP Relay Switch Supply Voltage (MM6/MZ6)		D-BU	75	RAP Relay Switch Supply Voltage (MM6/MZ6)
B9	GY	2709	5-Volt Reference 1	B9	GY	2709	5-Volt Reference 1
B10	TN/BK	2500	High Speed GMLAN Serial Data (+)	B10	TN/BK	2500	High Speed GMLAN Serial Data (+)
B11	L-BU/BK	1212	Right Front Suspension Position Sensor Low Reference (F55)	B11	L-BU/BK	1212	Right Front Suspension Position Sensor Low Reference (F55)
B12	TN/BK	2500	High Speed GMLAN Serial Data (+)	B12	TN/BK	2500	High Speed GMLAN Serial Data (+)
C1	PU/WH	1205	Left Front Suspension Position Sensor Voltage Reference (F55)	C1	PU/WH	1205	Left Front Suspension Position Sensor Voltage Reference (F55)
C2	TN/WH	1207	Left Front Suspension Position Sensor Signal (F55)	C2	TN/WH	1207	Left Front Suspension Position Sensor Signal (F55)
C3	L-GN	1652	Reverse Lockout Solenoid Control	C3	L-GN	1652	Reverse Lockout Solenoid Control

2007 Chevrolet Corvette

2007 Power and Signal Distribution Wiring Systems and Power Management - Corvette

			(MM6/MZ6 w/F55)				(MM6/MZ6 w/F55)
C4	GY	587	Skip/Shift Solenoid Control (MM6/MZ6 w/JL5)	C4	GY	587	Skip/Shift Solenoid Control (MM6/MZ6 w/JL5)
C5	PU	401	VSS Low Signal (MM6/MZ6 w/F55)	C5	PU	401	VSS Low Signal (MM6/MZ6 w/F55)
C6	BK/WH	451	Ground (M32)	C6	BK/WH	451	Ground (MYC)
C7	-	-	Not Used	C7	-	-	Not Used
C8	PK	1239	Ignition 1 Voltage (F55)	C8	PK	1239	Ignition 1 Voltage (F55)
C9	OG/BK	586	Low Reference (KNP)	C9	OG/BK	586	Low Reference (KNP)
C10	TN	2501	High Speed GMLAN Serial Data (-)	C10	TN	2501	High Speed GMLAN Serial Data (-)
C11	TN/WH	585	TFT Sensor Signal (KNP)	C11	TN/WH	585	TFT Sensor Signal (KNP)
C12	TN	2501	High Speed GMLAN Serial Data (-)	C12	TN	2501	High Speed GMLAN Serial Data (-)
D1	L-GN	5007	Backup Lamp Switch Signal (MM6/MZ6 w/F55)	D1	L-GN	5007	Backup Lamp Switch Signal (MM6/MZ6 w/F55)
D2	L-BU/BK	1206	Left Front Suspension Position Sensor Low Reference (F55)	D2	L-BU/BK	1206	Left Front Suspension Position Sensor Low Reference (F55)
D3	L-BU	2182	Reverse Lamp Relay Control (MM6/MZ6 w/F55)	D3	L-BU	2182	Reverse Lamp Relay Control (MM6/MZ6 w/F55)
D4	TN	884	Left Rear Wheel Speed Sensor Signal	D4	TN	884	Left Rear Wheel Speed Sensor Signal
D5	BN	882	Right Rear Wheel Speed Sensor Signal	D5	BN	882	Right Rear Wheel Speed Sensor Signal
D6	TN	2759	Low Reference	D6	TN	2759	Low Reference
			EVAP Canister				EVAP Canister

2007 Chevrolet Corvette

2007 Power and Signal Distribution Wiring Systems and Power Management - Corvette

D7	WH	1310	Vent Solenoid Control	D7	WH	1310	Vent Solenoid Control
D8	D-BU	1936	Fuel Level Sensor Signal - Secondary	D8	D-BU	1936	Fuel Level Sensor Signal - Secondary