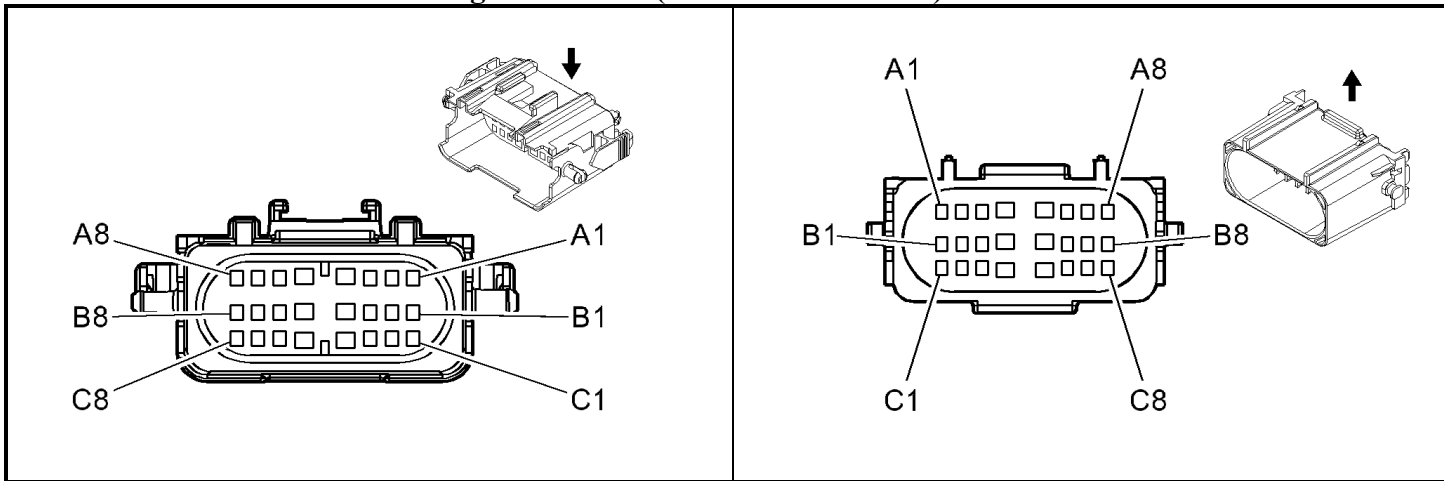


C184 TRANSMISSION HARNESS TO ENGINE HARNESS (MM6/MZ6 W/O F55)

C184 Transmission Harness to Engine Harness (MM6/MZ6 w/o F55) Connector End View



C184 Transmission Harness to Engine Harness (MM6/MZ6 w/o F55) Connector Parts Information

Connector Part Information

- OEM: 15366099
- Service: 15366099
- Description: 24-Way F GT 150, 280 Series, Sealed (BK)

Terminal Part Information

- Pins: A1-A3, A6-A8, B1-B3, B6-B8, C1-C3, C6
- Terminal/Tray: 12191819/8
- Core/Insulation Crimp: E/A
- Release Tool/Test Probe: 15315247/J-35616-2A (GY)
- Pins: A5, B4, B5, C4, C5
- Terminal/Tray: 15304719/19
- Core/Insulation Crimp: 2/5
- Release Tool/Test Probe: 15315247/J-35616-4A (PU)
- Pins: A4
- Terminal/Tray: 15304720/19
- Core/Insulation Crimp: Pins: A4 : 4/5
- Release Tool/Test Probe: 15315247/J-35616-

Connector Part Information

- OEM: 15336173
- Service: 89047535
- Description: 24-Way M GT 150, 280 Series, Sealed (BK)

Terminal Part Information

- Pins: A1-A3, A6-A8, B1-B3, B6-B8, C1-C3, C6
- Terminal/Tray: 15326269/19
- Core/Insulation Crimp: E/4
- Release Tool/Test Probe: 15315247/J-35616-3 (GY)
- Pins: A5, B4, B5, C4, C5
- Terminal/Tray: 15304731/19
- Core/Insulation Crimp: See Terminal Repair Kit
- Release Tool/Test Probe: 15315247/J-35616-5 (PU)
- Pins: A4
- Terminal/Tray: 15304732/8
- Core/Insulation Crimp: Pins: A4 : A/5
- Release Tool/Test Probe: 15315247/J-35616-

2007 Chevrolet Corvette

2007 Power and Signal Distribution Wiring Systems and Power Management - Corvette

4A (PU)

5 (PU)

C184 Transmission Harness to Engine Harness (MM6/MZ6 w/o F55) Connector Terminal Identification

Pin	Wire Color	Circuit No.	Function	Pin	Wire Color	Circuit No.	Function
A1	PK	239	Ignition 1 Voltage (JL5)	A1	PK	239	Ignition 1 Voltage
A2	YE	400	VSS High Signal	A2	YE	400	VSS High Signal
A3	L-BU	1937	Fuel Level Sensor Signal - Right	A3	L-BU	1937	Fuel Level Sensor Signal - Right
A4	GY	120	Fuel Pump Supply Voltage	A4	GY	120	Fuel Pump Supply Voltage
A5	OG	885	Left Rear Wheel Speed Sensor Low Reference	A5	OG	885	Left Rear Wheel Speed Sensor Low Reference
A6	D-GN	890	Fuel Tank Pressure Sensor Signal	A6	D-GN	890	Fuel Tank Pressure Sensor Signal
A7	D-BU	75	RAP Relay Switch Supply Voltage	A7	D-BU	75	RAP Relay Switch Supply Voltage
A8	GY	2709	5-Volt Reference 1	A8	GY	2709	5-Volt Reference 1
B1	L-GN	1652	Reverse Lockout Solenoid Control	B1	L-GN	1652	Reverse Lockout Solenoid Control
B2	GY	587	Skip/Shift Solenoid Control (JL5)	B2	GY	587	Skip/Shift Solenoid Control
B3	PU	401	VSS Low Signal	B3	PU	401	VSS Low Signal
B4	RD/WH	2840	Battery Positive Voltage	B4	RD/WH	2840	Battery Positive Voltage
B5	WH	883	Right Rear Wheel Speed Sensor Low Reference	B5	WH	883	Right Rear Wheel Speed Sensor Low Reference
B6	OG/BK	586	Low Reference	B6	OG/BK	586	Low Reference
B7	TN/WH	585	TFT Sensor Signal	B7	TN/WH	585	TFT Sensor Signal
B8	L-GN	5007	Backup Lamp Switch Signal	B8	L-GN	5007	Backup Lamp Switch Signal

2007 Chevrolet Corvette

2007 Power and Signal Distribution Wiring Systems and Power Management - Corvette

C1	L-BU	2182	Reverse Lamp Relay Control	C1	L-BU	2182	Reverse Lamp Relay Control
C2	TN	2759	Low Reference	C2	TN	2759	Low Reference
C3	WH	1310	EVAP Canister Vent Solenoid Control	C3	WH	1310	EVAP Canister Vent Solenoid Control
C4	TN	884	Left Rear Wheel Speed Sensor Signal	C4	TN	884	Left Rear Wheel Speed Sensor Signal
C5	BN	882	Right Rear Wheel Speed Sensor Signal	C5	BN	882	Right Rear Wheel Speed Sensor Signal
C6	D-BU	1936	Fuel Level Sensor Signal - Secondary	C6	D-BU	1936	Fuel Level Sensor Signal - Secondary
C7-C8	-	-	Not Used	C7-C8	-	-	Not Used