

**MESSAGE CENTER**  
 CHECK GAS CAP  
 REDUCE ENGINE RPM  
 REDUCE ENGINE POWER  
 ENGINE PROTECTION  
 SERVICE FUEL SYSTEM

**CONN ID**  
 C1=34 BK  
 C2=7 WH  
 C3=7 WH

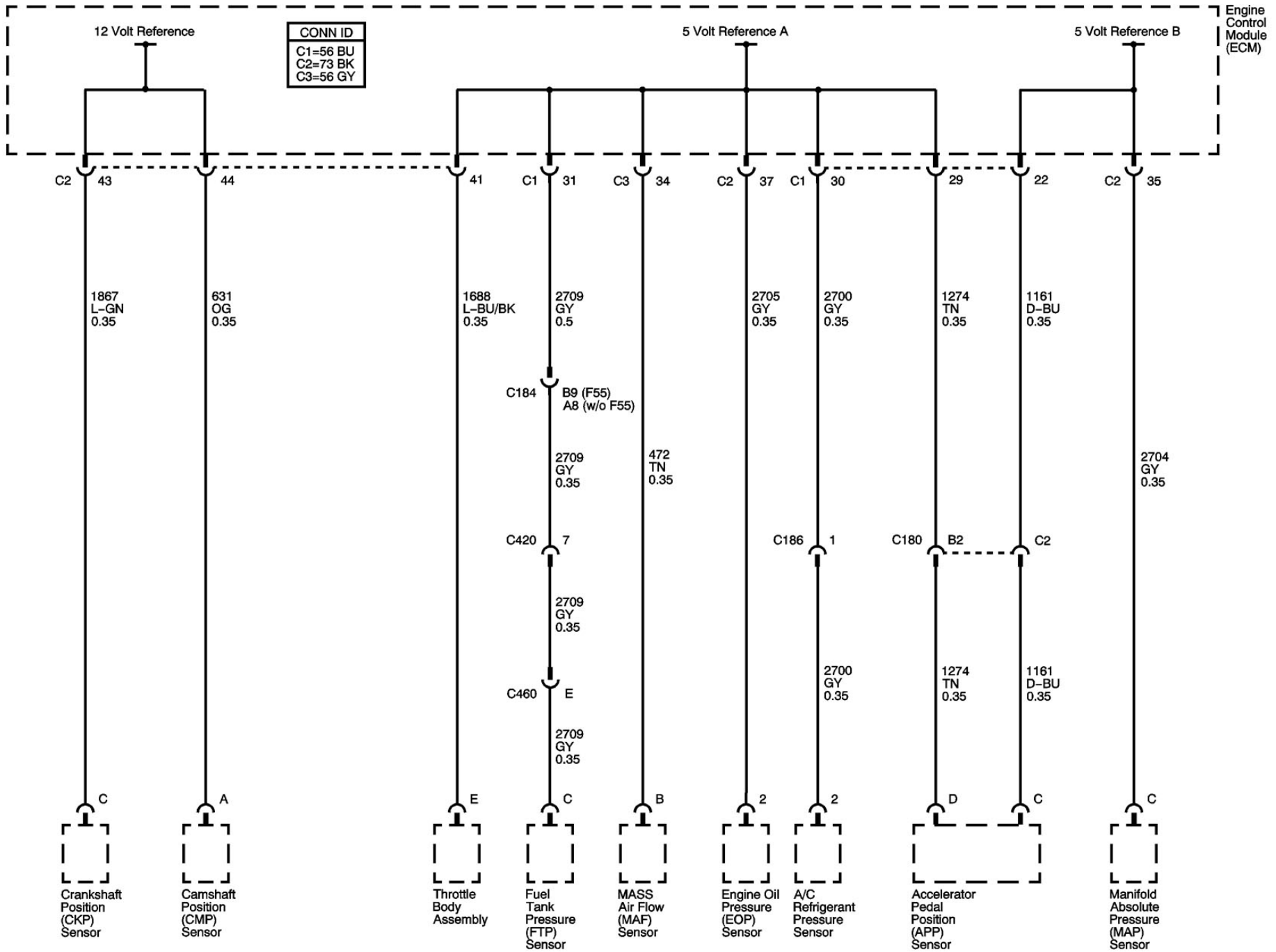
**CONN ID**  
 C1=68 BK  
 C2=68 GY  
 C3=68 NA  
 C4=8 BK

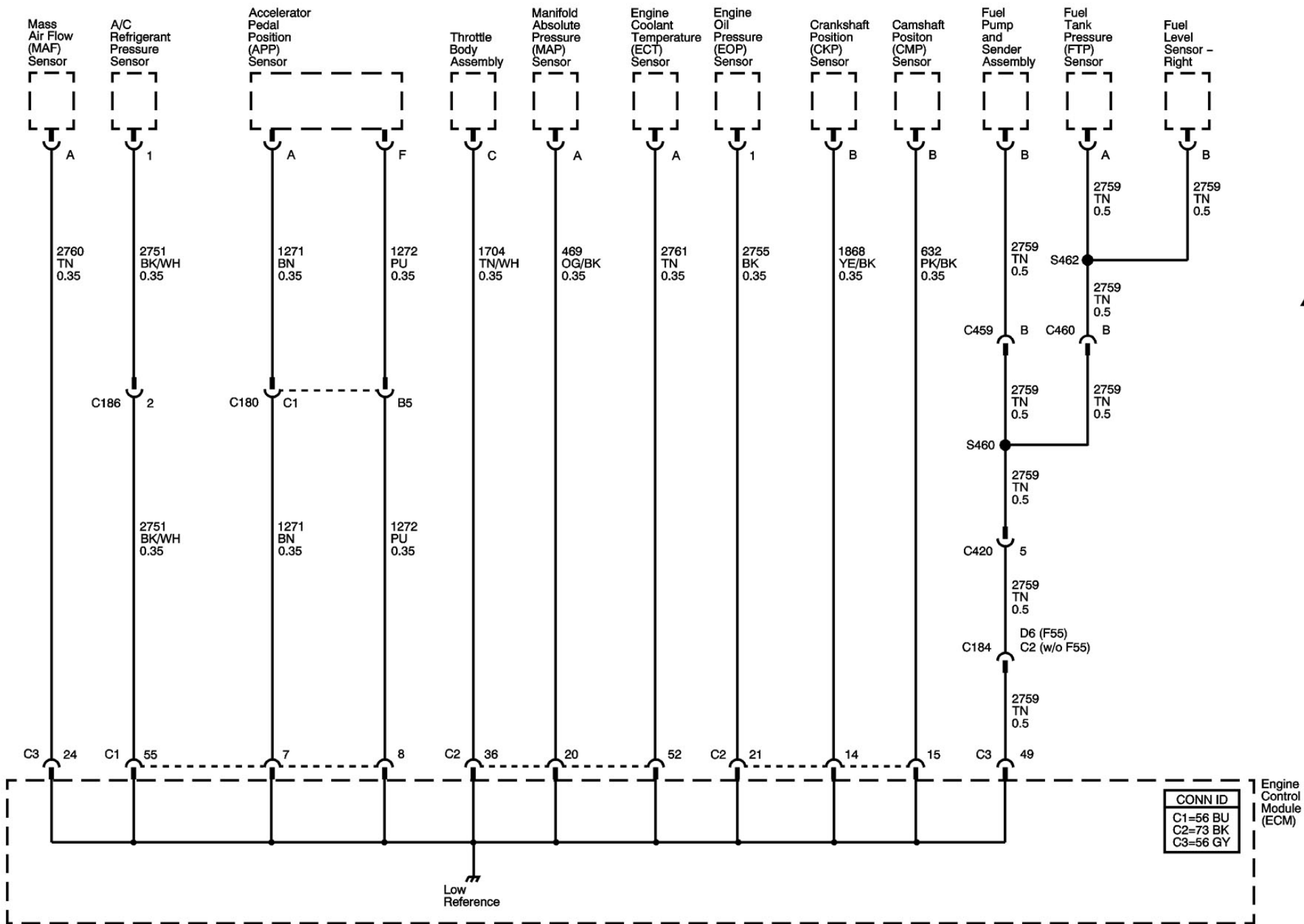
**CONN ID**  
 C1=72 GY  
 C2=72 GY  
 C3=41 RD  
 C4=68 GY

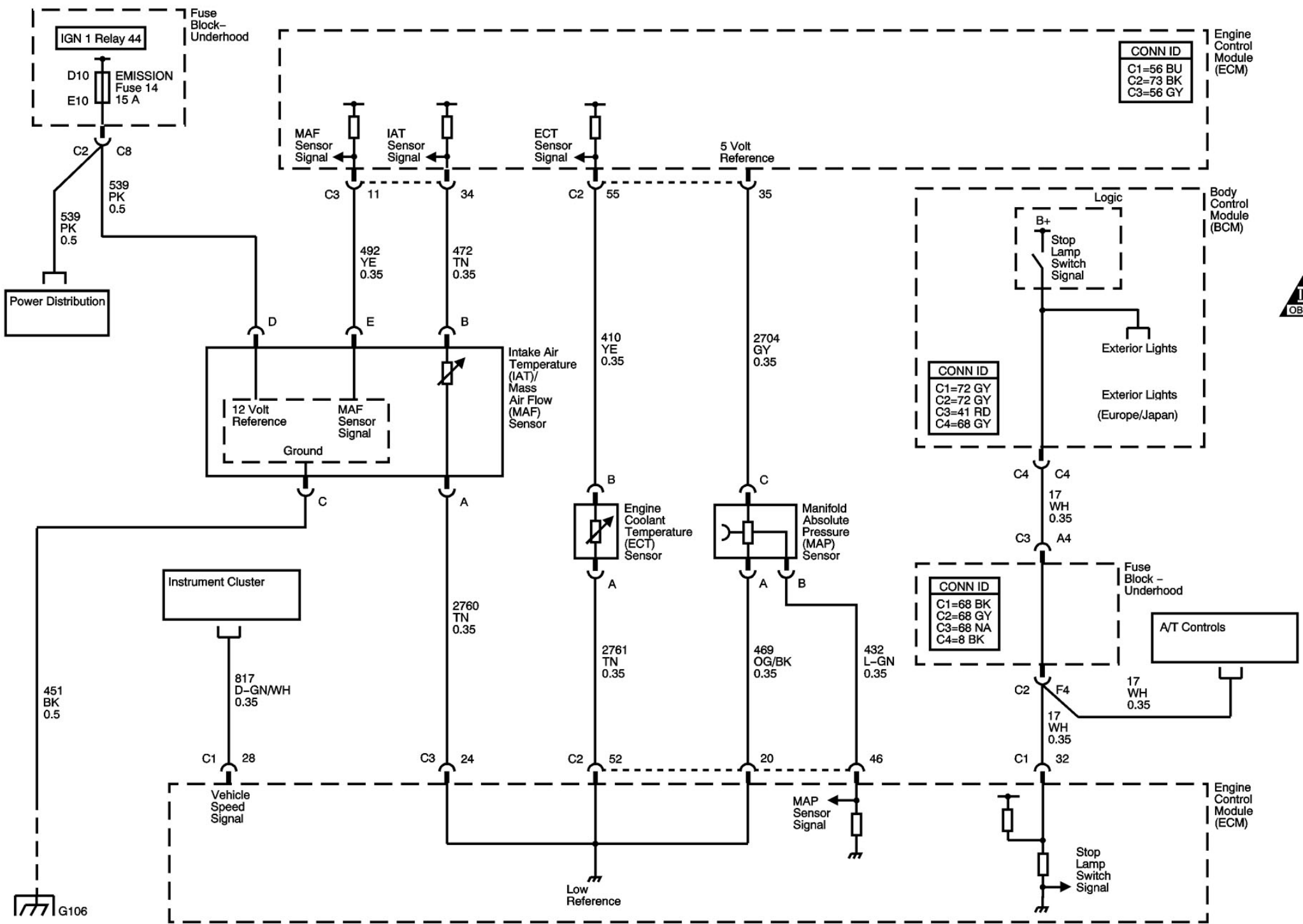
**CONN ID**  
 C1=56 BU  
 C2=73 BK  
 C3=56 GY

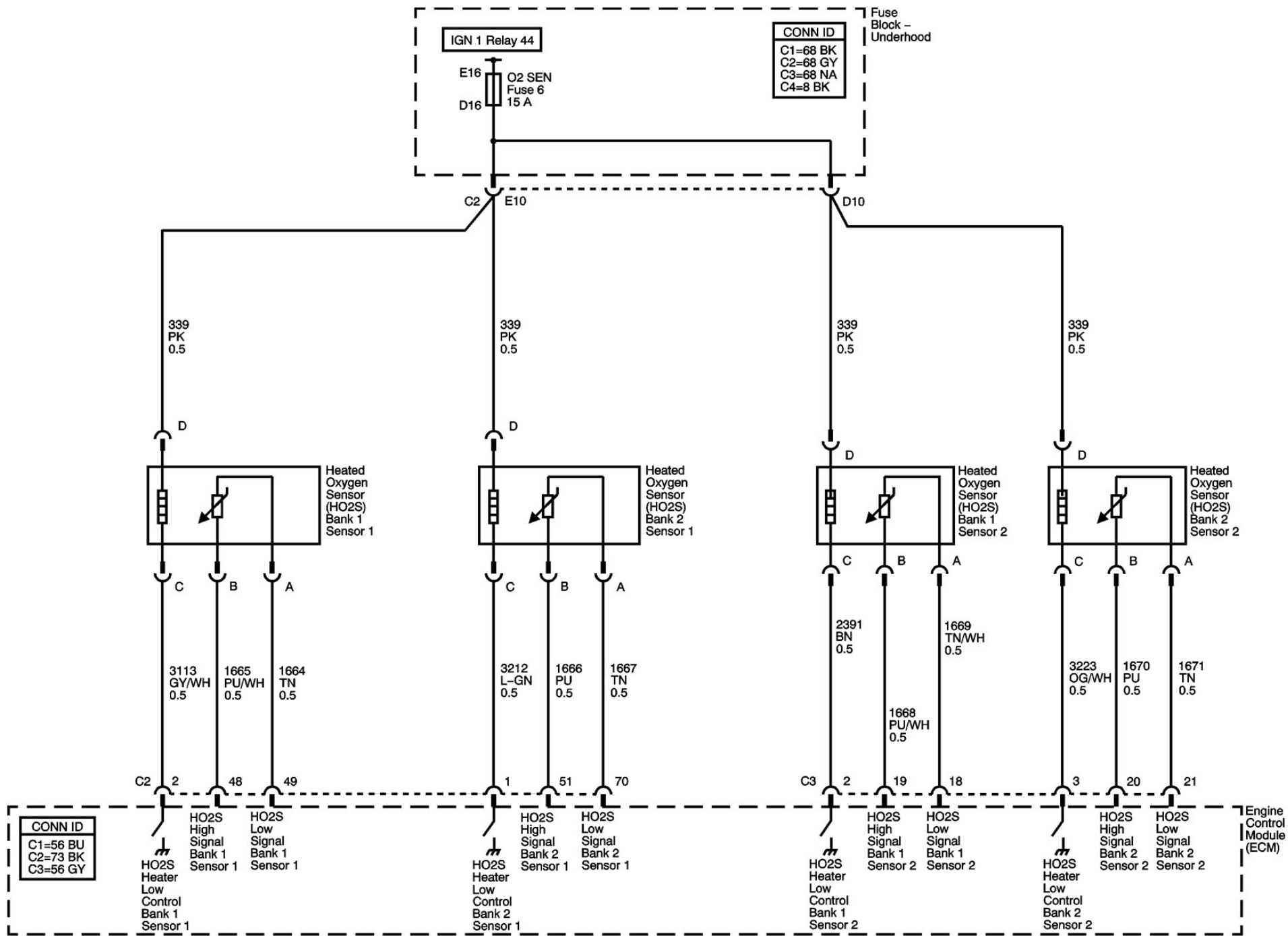
**CONN ID**  
 C1=56 BU  
 C2=73 BK  
 C3=56 GY

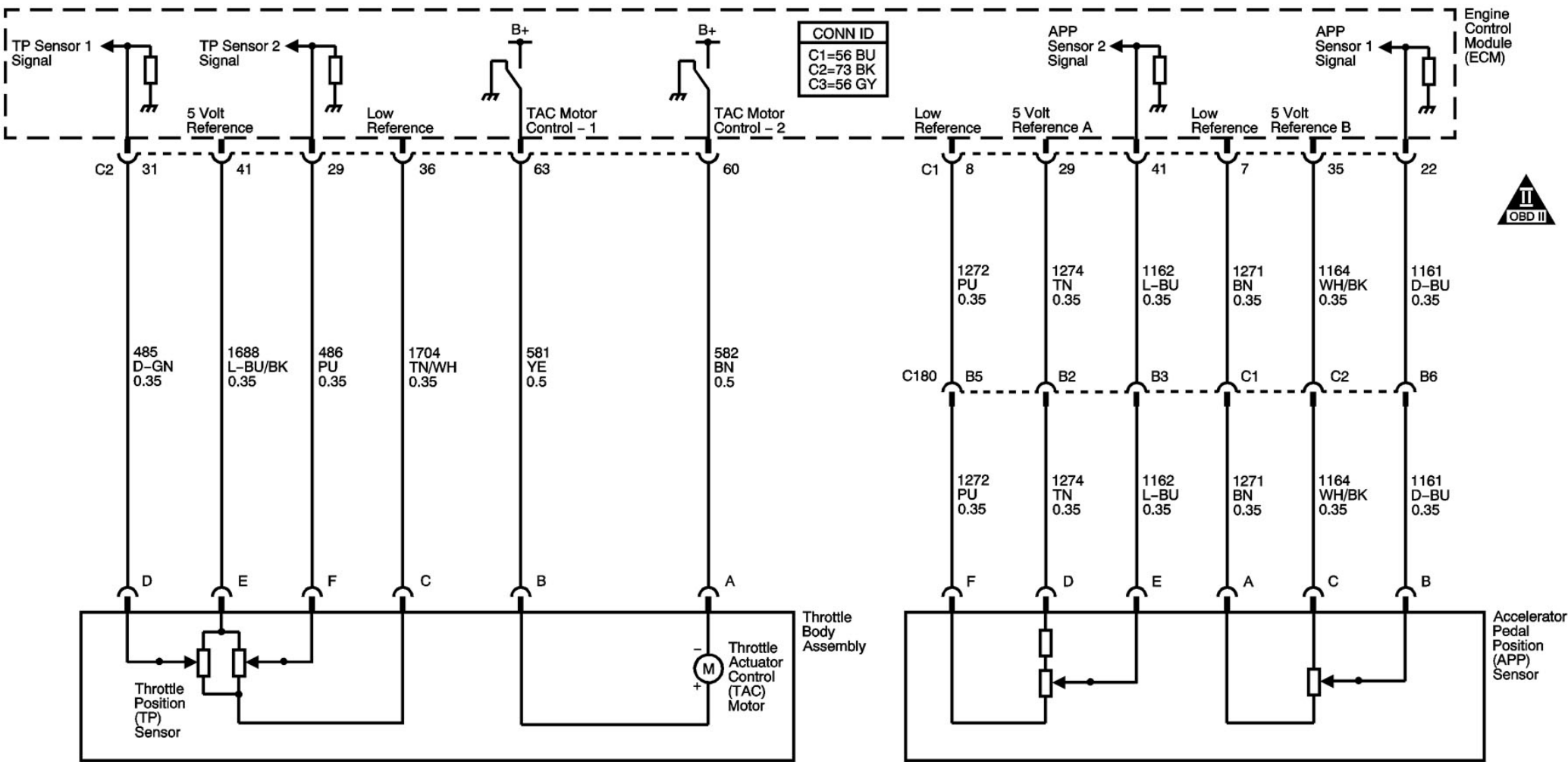
**Engine Control Module (ECM)**

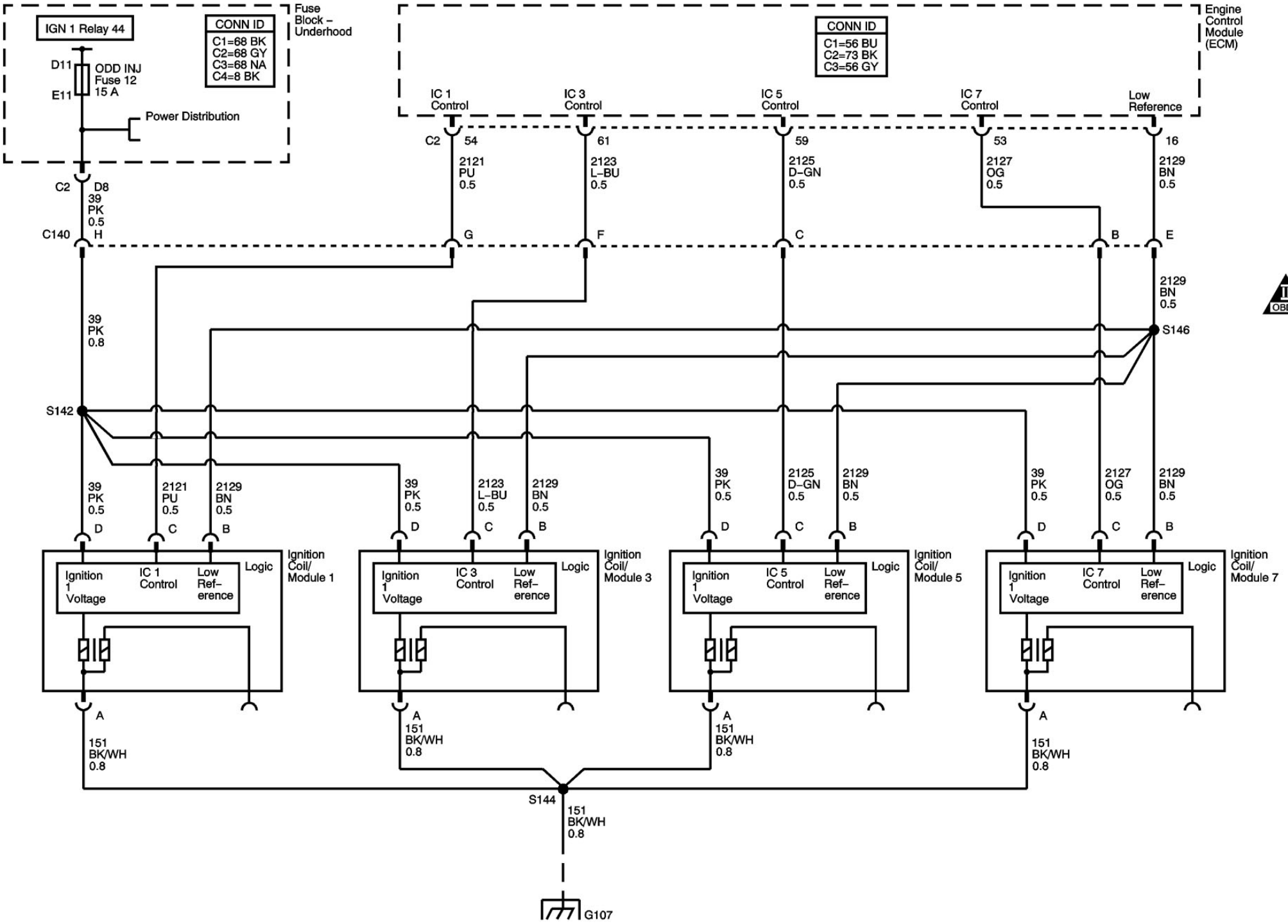


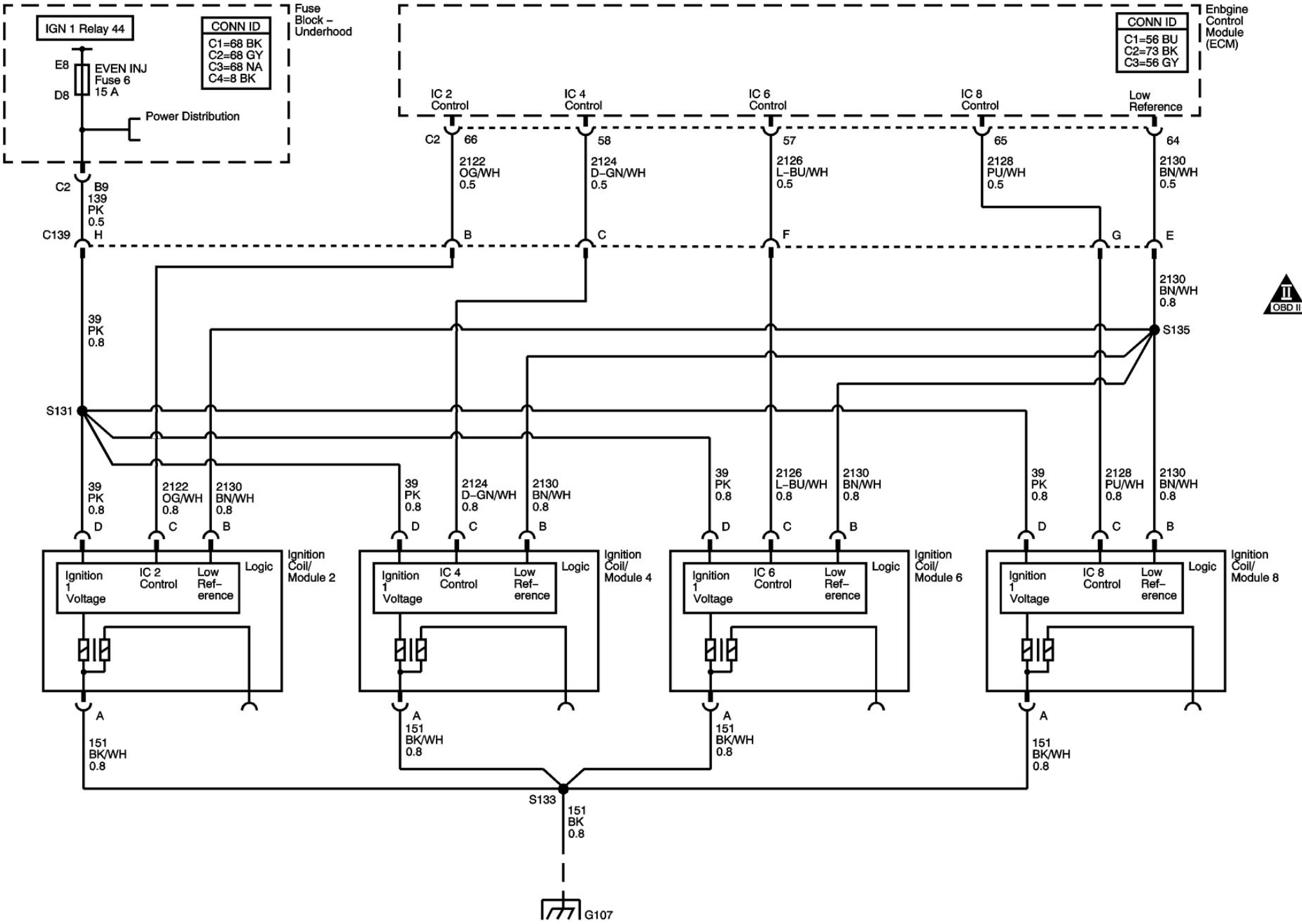








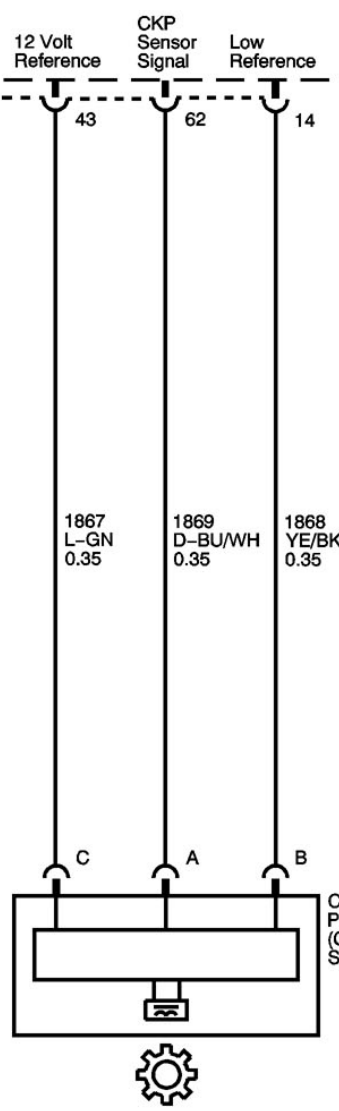
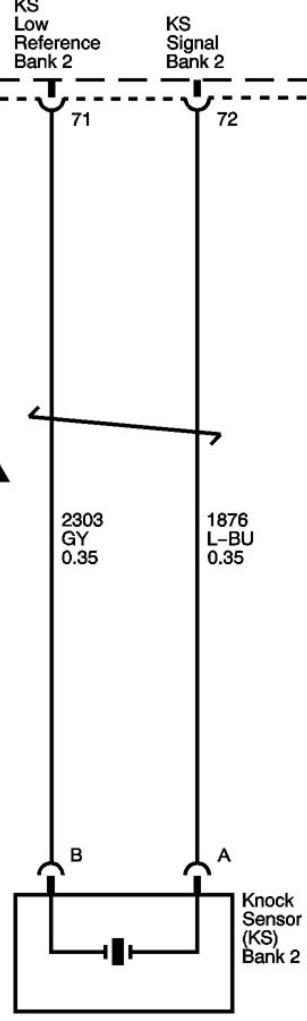
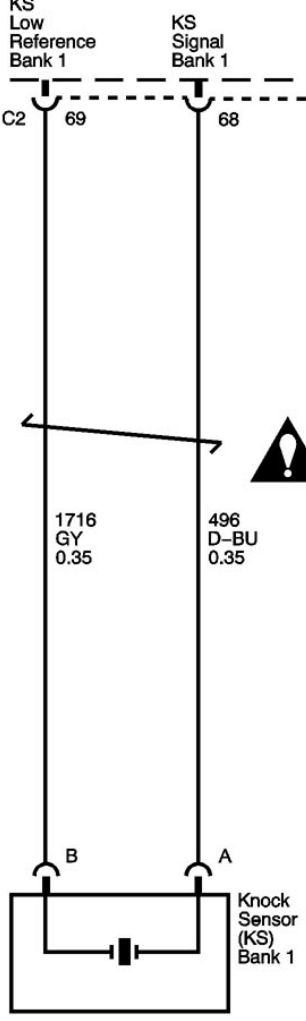
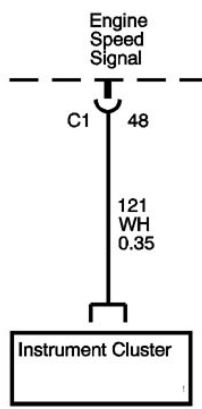
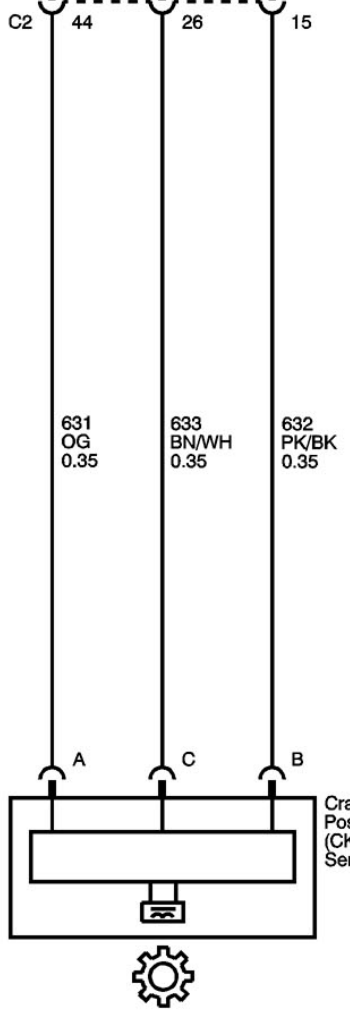


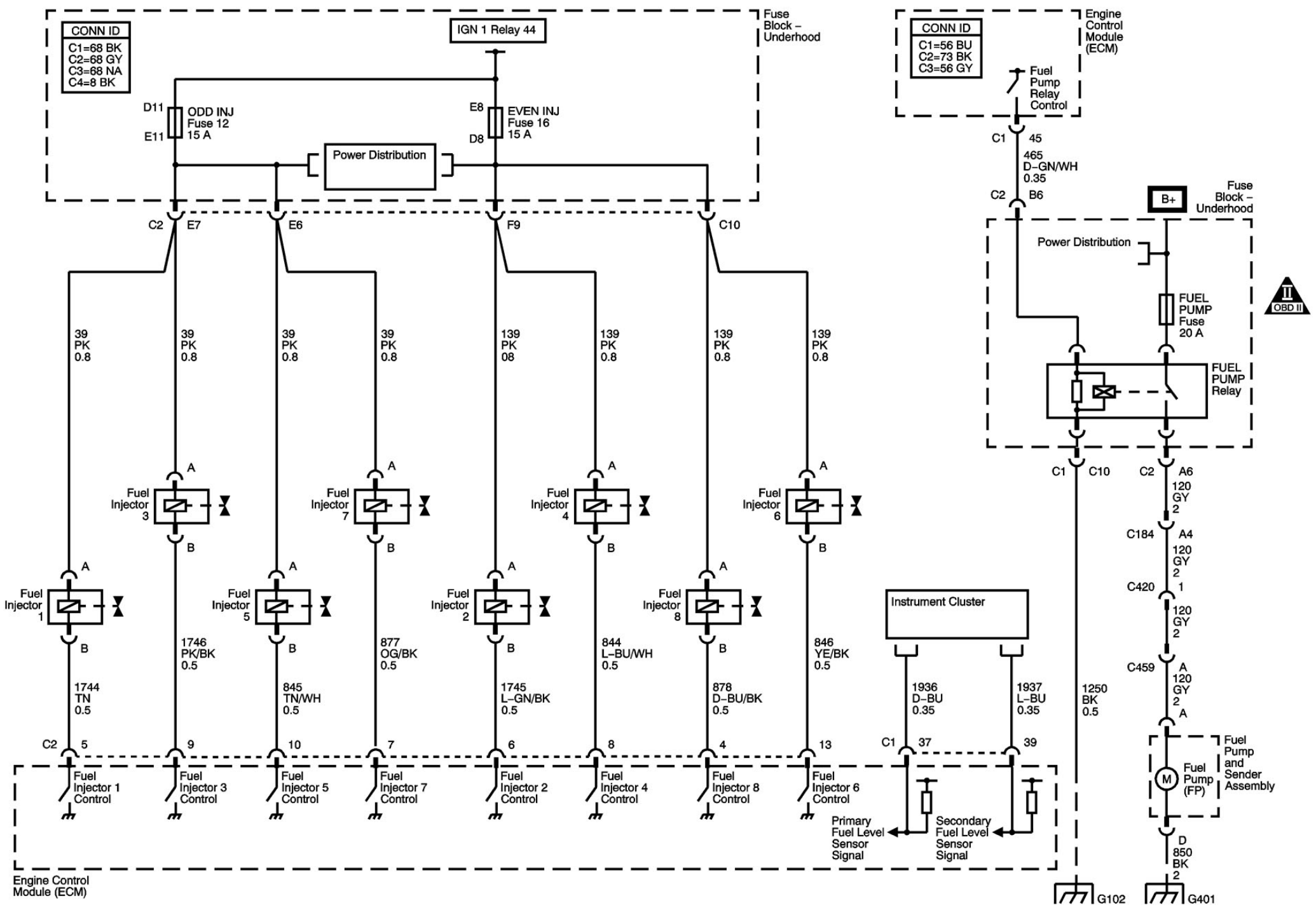




CONN ID
C1=56 BU
C2=73 BK
C3=56 GY

Engine Control Module (ECM)





Engine Control Module (ECM)

G102

G401



