



Service Bulletin

Bulletin No.: 18-NA-355

Date: August, 2019

TECHNICAL

Subject: Shake and/or Shudder During Light Throttle Acceleration Between 25 and 80 MPH (40 and 128 KM/H) at Steady Speed

Attention: This Bulletin only applies to vehicles sold in the U.S., Canada and Middle East Operations (MEO). Mexico and Export Regions should follow Bulletin 19-NA-018.

Brand:	Model:	Model Year:		Date Breakpoint:		Engine: (2.0L, 2.5L, 3.0L, 3.6L, 5.3L, 6.2L)	Transmission: (8L45, 8L90 Automatic)
		from	to	from	to		
Cadillac	ATS	2016	2019	SOP	Feb. 1, 2019	LCV, LGX, LTG, LT4, LF4	M5N, M5T, M5U
	CTS						
	CT6	2016	2018		EOP	LGX, LGW, LTG	M5N, M5X
	Escalade Models	2015	2017			L86	M5U
Chevrolet	Camaro	2016	2019		Feb. 1, 2019	LGX, LTG, LT1	M5T, M5U
	Colorado	2017	2019		March 1, 2019	LGZ	M5T
	Corvette	2015	2019		Feb. 1, 2019	LT1, LT4	M5U
	Silverado Models	2015	2018		EOP	L83, L86, L8B	M5U, M5X
GMC	Canyon	2017	2019		March 1, 2019	LGZ	M5T
	Sierra Models	2015	2018		EOP	L83, L86, L8B	M5U, M5X
	Yukon Models	2015	2017	L86		M5U	

Involved Region or Country	United States, Canada, Middle East Operations (MEO)
Condition	Some customers may comment that their vehicle is experiencing a shake and/or shudder during light throttle acceleration between 25 and 80 mph (40 and 128 km/h) steady state driving when transmission is not actively shifting gears. ⇒ The condition may be described as if they are driving over rumble strips or a concrete road surface with rough expansion joints.
Cause	This condition may be due to Torque Converter Clutch (TCC) Shudder.
Correction	Vehicles that are presented with TCC shudder should have the appropriate fluid exchange procedure completed. Diagnosis beyond the customer complaint is not required if vehicle was built prior to production dates indicated above. For vehicles built after the production dates listed above. ⇒ If a customer presents a vehicle with a similar complaint, follow normal SI diagnostics. These vehicles are already equipped with the latest HP fluid.

Special Tools

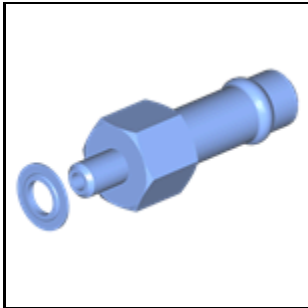
DT-52263 Transmission Fluid Exchange Kit:

- DT-52263-1 Block Assembly (includes fluid drain hose, spring clamp)
- DT-52263-2 Cooler Line Plug (qty 3) (use with rear differential cooler and Camaro V8 non rear differential cooler)
- DT-52263-3 1/2" Cooler Line Flush Adapter for 2019 Silverado and Sierra
- DT-52263-4 3/8" Hose Adapter (6" long with 2 hose clamps)
- DT-52263-5 Radiator Cooler Drain Adapter

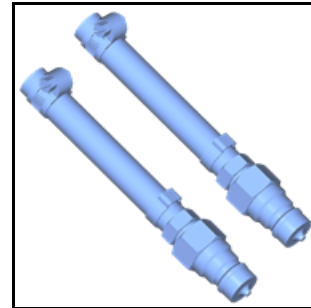


1215917

DT-45096 TransFlow Cooler Flush Machine



3763203



4733125

- DT-51190 Transmission Oil Fill Adapter

DT-45096-31 TransFlow Adapter (one of two pieces from DT-45096-30)



5181938

- GE-47716-2 Graduated Bucket

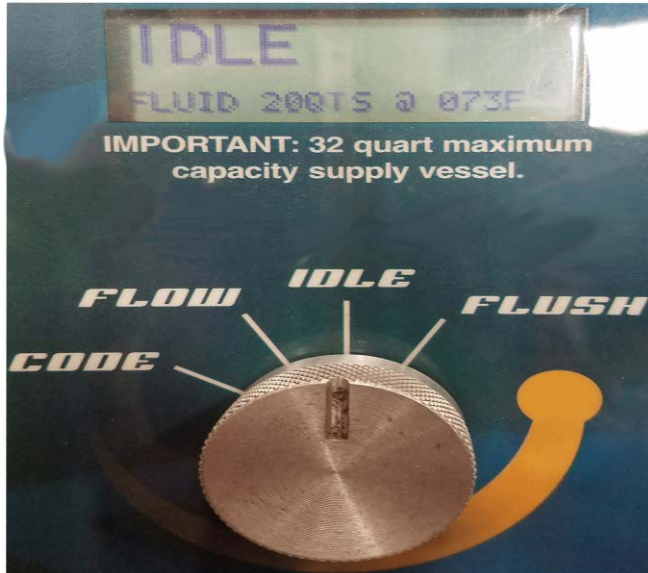
Service Procedure

Initial TransFlow Flush Machine Setup

Important: The prepping procedure only needs to be completed if the DT-45096 supply reservoir has DEXRON VI fluid in it and has not been converted to use the new blue label Mobil 1 Synthetic LV ATF HP fluid.

Note: The prepping procedure only needs to be completed if HP fluid is not in the supply reservoir.

1. Connect the TransFlow adapter DT-45096-31 to the supply line of the DT-45096 TransFlow machine.



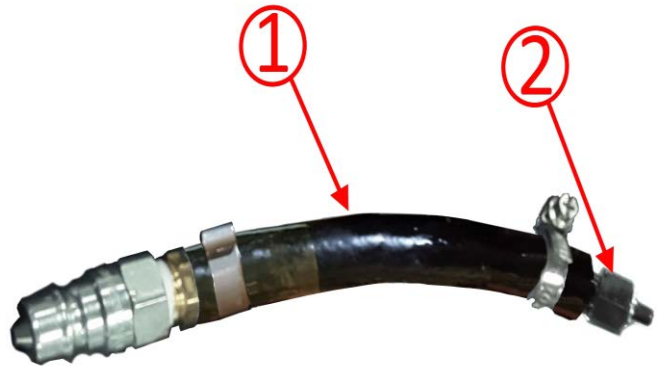
5180884

2. Switch the DT-45096 TransFlow to Idle.
3. Connect power leads to the vehicle 12-volt DC supply.
4. Turn the TransFlow main switch ON.
5. Connect air supply to the DT-45096.
6. Place the TransFlow supply hose with adapter DT-45096-31 into a waste reservoir using care not to spill the expelled fluid.
7. Switch the DT-45096 TransFlow to Flow and allow all the fluid in the supply reservoir to be removed and placed in the waste reservoir.
8. Switch the control switch back to idle.

Fluid Exchange Procedure - Colorado, Canyon, Silverado, Sierra, Yukon Denali and Escalade Models with an Accessible Transmission Oil Cooler Line Block Assembly

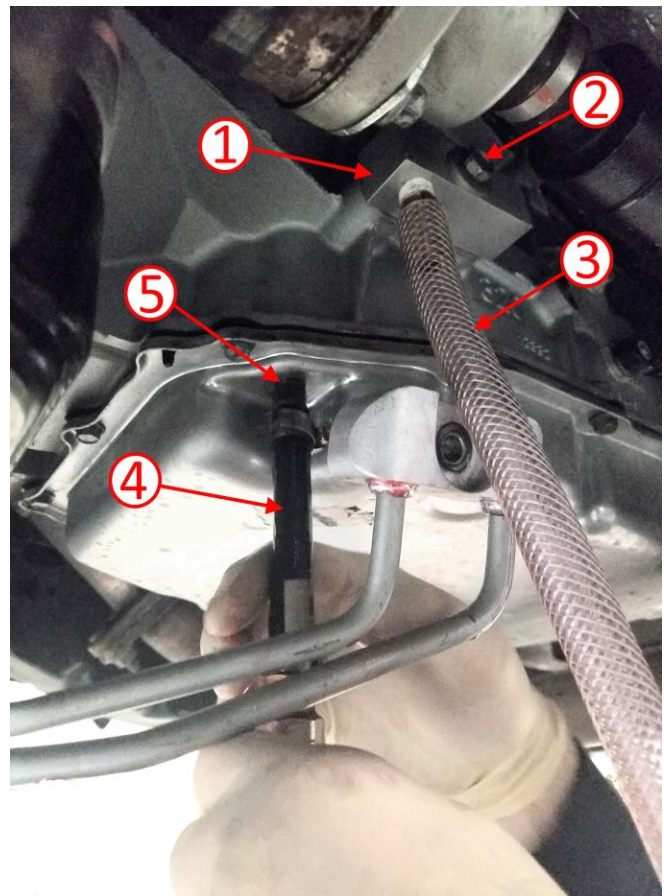
Important: This procedure must be followed as published. The exchange process is required to obtain proper level of new blue label Mobil 1 Synthetic LV ATF HP fluid. Intermixing of other types of transmission fluid or aftermarket additive packages will result in a low concentration level of new fluid and will not provide satisfactory results.

1. Fill the DT-45096 with 20 quarts of HP fluid.
2. Raise the vehicle on a hoist.



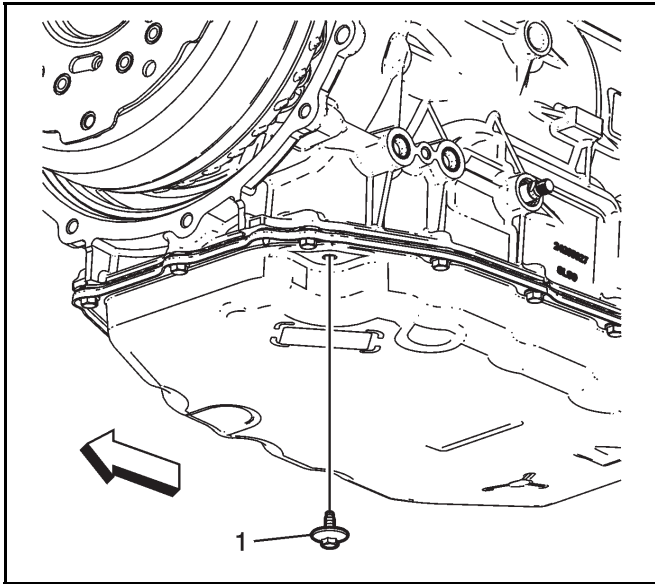
5182541

3. Install the DT-45096-31 TransFlow adapter (1) to the DT-51190 fluid fill adapter (2).



5180563

4. Remove the transmission oil cooler pipe assembly from the transmission.
5. Install the DT-52263-1 Adapter Block Assembly (1), reusing the seal from the transmission oil cooler pipe assembly.
6. Tighten the bolt (2) to 22 N•m (16 lb ft).
7. Place the hose (3) in the GE-47716-2 Graduated Measuring Bucket, utilizing a Spring Clamp to retain the hose.

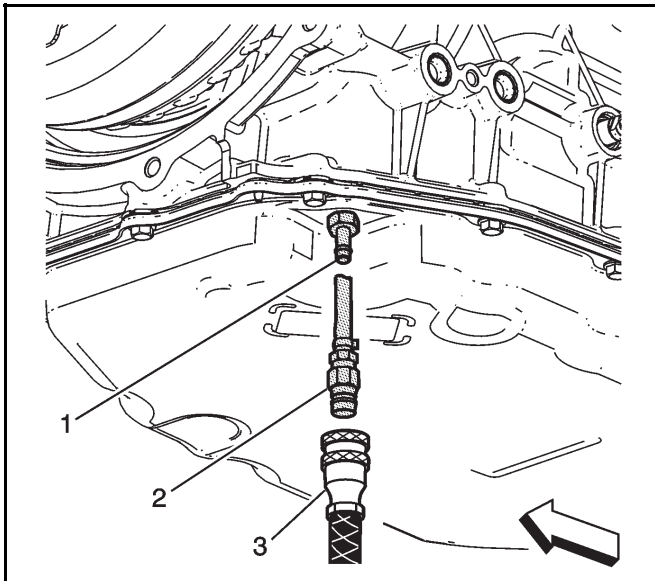


3723844

8. Remove the level set plug (1) from the transmission.

Important: DO NOT over tighten the DT-51190 as it can be damaged by excessive torque. **DO NOT** exceed 9 N•m (80 lb in).

9. Install the DT-51190/DT-45096-31 assembly and hand tighten as shown in the graphic above.



3723839

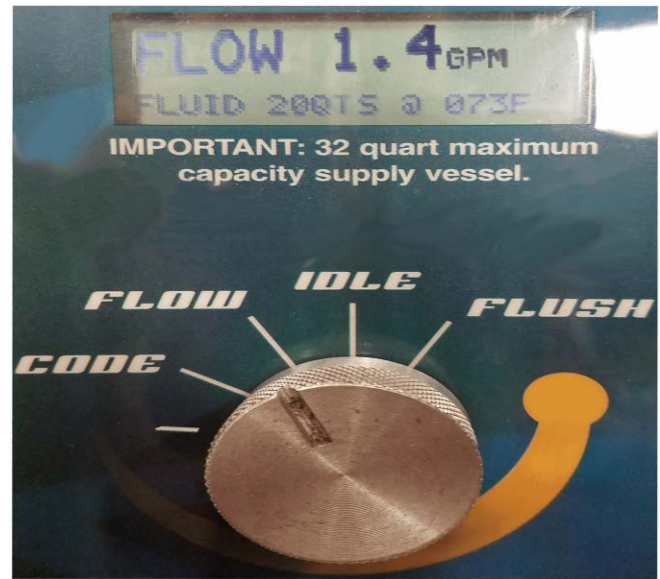
10. Connect the TransFlow fluid feed (supply) line (3) to the DT-45096-31 adapter (2).

11. Lower the vehicle.

Caution: DO NOT REMOVE MORE THAN 3 QUARTS OF FLUID AS IT COULD CAUSE FLUID PUMP CAVITATION AND POSSIBLY DAMAGE THE TRANSMISSION.

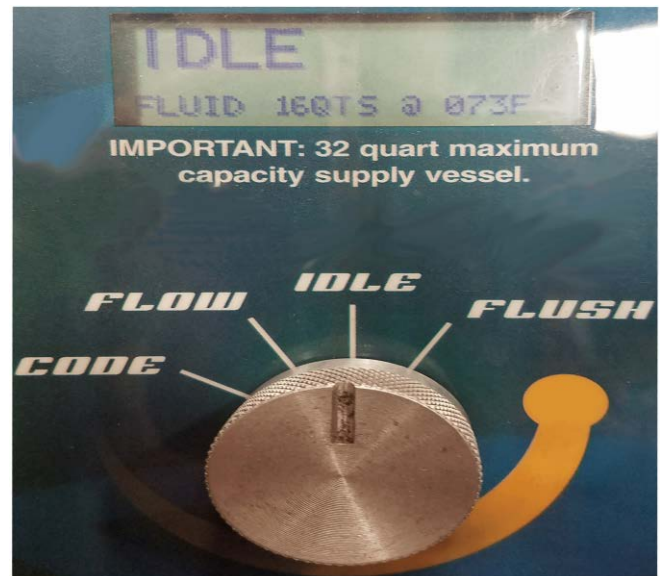
12. Utilizing the graduated bucket, start the engine and run 30-45 seconds until 3 quarts of fluid is expelled.

13. Shut the engine off immediately.
14. Connect the DT-45096 to the vehicle battery 12 volts and connect shop air to the air connection.



5181027

15. Switch the DT-45096 TransFlow to Flow and add 4 quarts of HP to the transmission.



5181020

16. Switch the DT-45096 TransFlow to Idle (Reducing fluid level in the TransFlow from 20–16).
17. Switch the TransFlow DT-45096 to Flow and start the engine:
17.1. Add a maximum of 4 quarts of HP Fluid to the transmission, turn the TransFlow switch to idle once 4 quarts have been added, while allowing 4 additional quarts of oil to fill the DT-graduated bucket (Reducing fluid level in the TransFlow from 16 – 12).

Note: DO NOT add additional transmission fluid until the 4 quarts of oil have been removed from the transmission (Reducing fluid level in the TransFlow from 12–8).

17.2. Repeat step 17.1.

17.3. Add a maximum of 5 quarts of HP fluid to the transmission while allowing 5 additional quarts of oil to fill the DT-graduated bucket (Reducing fluid level in the TransFlow from 8–3).



5181401

17.4. Shut the engine off once 16 quarts of fluid have been collected.

17.5. Properly dispose of the expelled transmission fluid.

18. Raise the vehicle.

19. Disconnect the DT-45096 TransFlow feed (supply) line from DT-45096-31 TransFlow adapter.

20. Using care, remove DT-45096-31/DT-51190 as an assembly.

21. Remove the DT-51190 fluid fill adapter from DT-45096-31 hose.

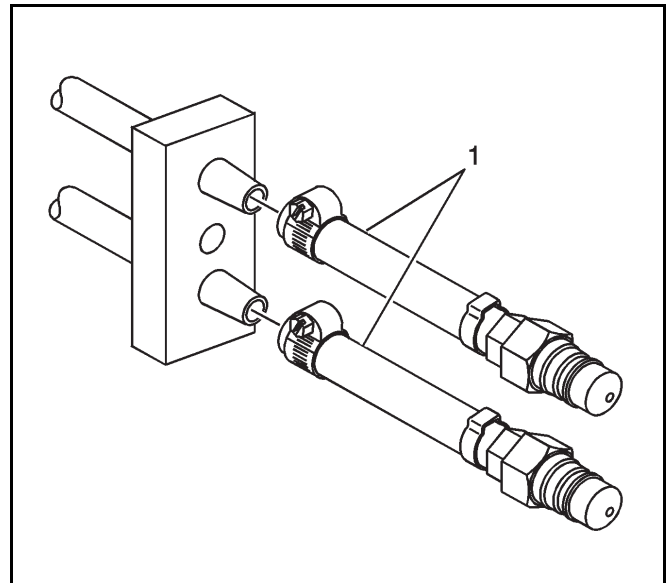
22. Install the level set plug.

Tighten

Tighten the plug to 9N•m (80 lb in).

23. Remove DT-52263-1 Adapter Block Assembly from the transmission.

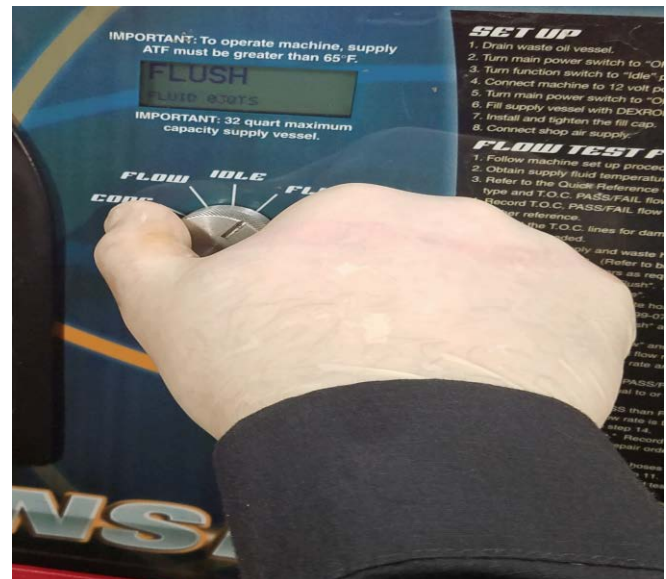
24. If equipped, remove the Thermal By-Pass Block from the cooler pipes on the Escalade, Silverado, Sierra and Yukon Models.



1762577

25. Install DT-45096-31 adapters (1) to the transmission oil cooler lines.

26. Connect the DT-45096 TransFlow to the DT-45096-31 adapters.



5210461

27. Switch the DT-45096 TransFlow to Flush.

28. Flush the vehicle cooler and lines using 2 quarts of HP fluid.

⇒ Flush 1 quart of fluid through the lines, then switch the hose connections and flush 1 quart of fluid in the opposite direction.

29. Remove the DT-51190/DT-45096-31 assembly.

30. If equipped, install the Thermal By-Pass Block from the cooler pipes on the Escalade, Silverado, Sierra and Yukon Models.

31. Install the transmission oil cooler pipe using a new cooler block seal.
32. Partially lower the vehicle.
33. Start the engine.
34. Using care, shift the transmission through all forward ranges and Reverse.
35. Shift the transmission into Park.
36. Perform the Transmission Fluid Level and Condition Check outlined below in this procedure:
 - 36.1. Get the transmission fluid temperature to the proper temperature.
 - 36.2. Install the level set plug.

Tighten

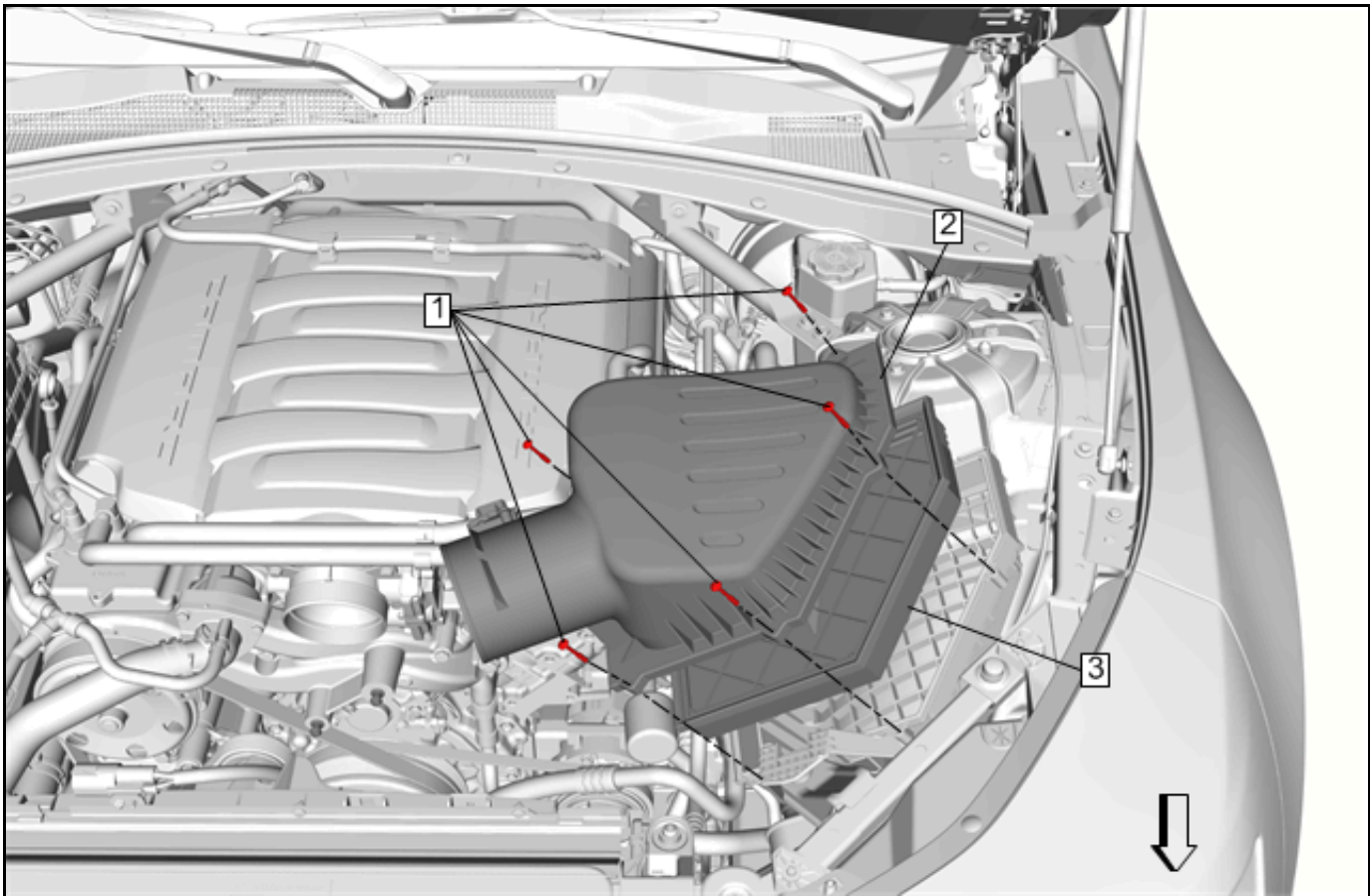
Tighten the plug to 9 N•m (80 lb in).

The TCC shudder condition should be directional improved immediately after the fluid exchange procedure. It may take up to 320 km (200 mi) for the TCC shudder condition to be eliminated. It is not a requirement for the dealer to drive the vehicle 320 km (200 mi). The customer should be advised that the full effect will take up to 320 km (200 mi) and a minimum of two cold to operating temperature drive cycles.

Fluid Exchange Procedure - Camaro (Except Camaro V8-See Procedure below for Camaro V8), CTS and ATS Not Equipped with a Rear Differential Cooler

Important: This procedure must be followed as published. The exchange process is required to obtain proper level of new blue label Mobil 1 Synthetic LV ATF HP fluid. Intermixing of other types of transmission fluid or aftermarket additive packages will result in a low concentration level of new fluid and will not provide satisfactory results.

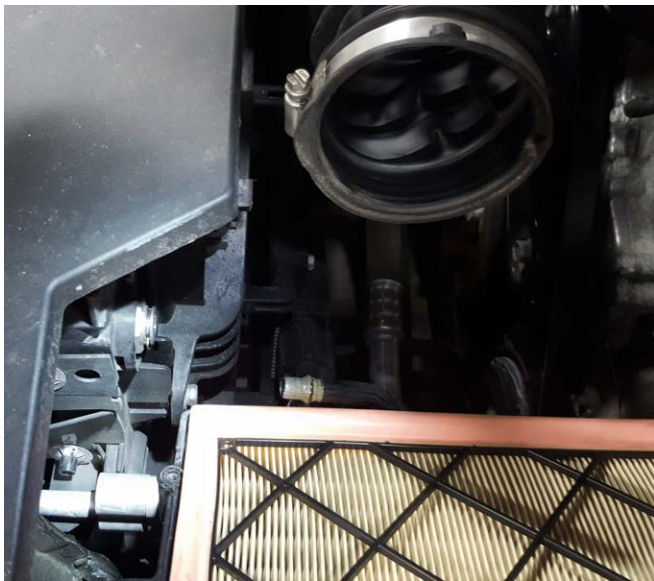
1. Fill the DT-45096 with 20 quarts of HP fluid.



4194576

Note: The MAF sensor must stay connected so that no DTCs will set.

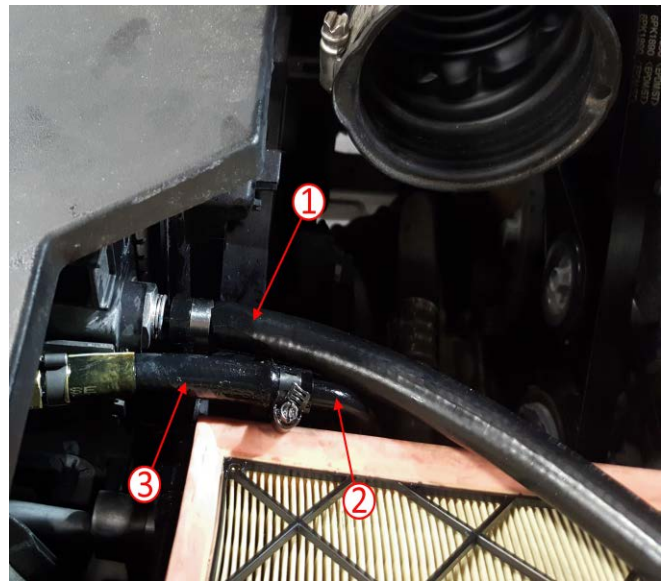
2. Separate the engine upper air filter box (1) from the lower air filter housing to gain access to the upper transmission oil cooler line.



5181307

Note: Upper air filter box removed for clarity.

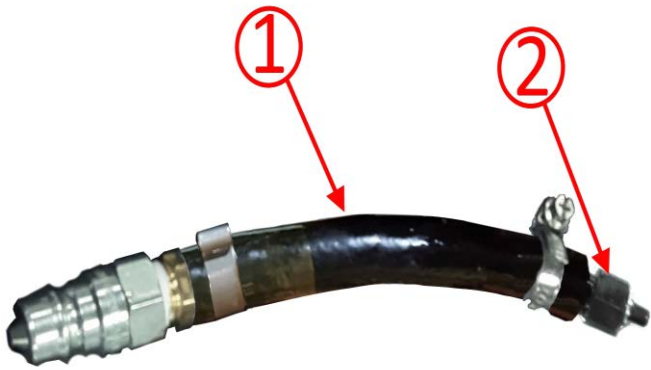
3. Remove the cooler line from the transmission oil cooler.



5181322

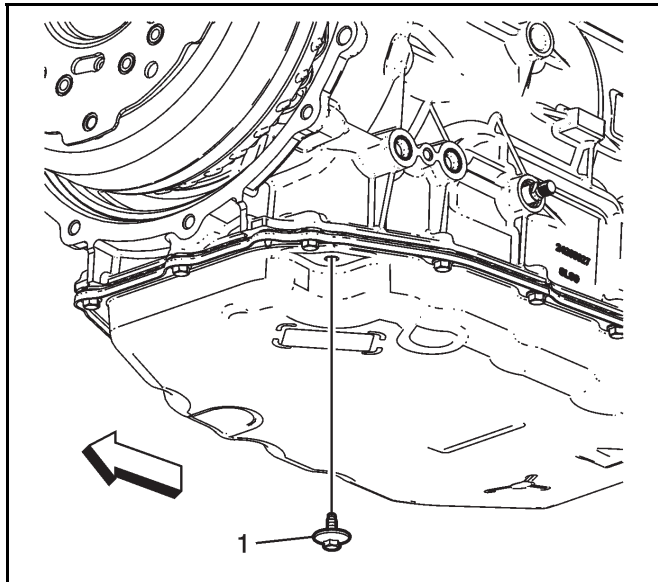
4. Install end of the DT-52263-5 Radiator Cooler Drain Adapter (1) to the DT-52263-1 Block Assembly.
5. Install the DT-52263-5 Radiator Cooler Drain Adapter into the upper transmission oil cooler line port of the transmission oil cooler.
6. Install the DT-45096-31 adapter (3) over the removed transmission oil cooler line (2) to prevent any fluid spillage.

7. Place the hose in the GE-47716-2 Graduated Measuring Bucket, utilizing a Spring Clamp to retain the hose.
8. Raise the vehicle.



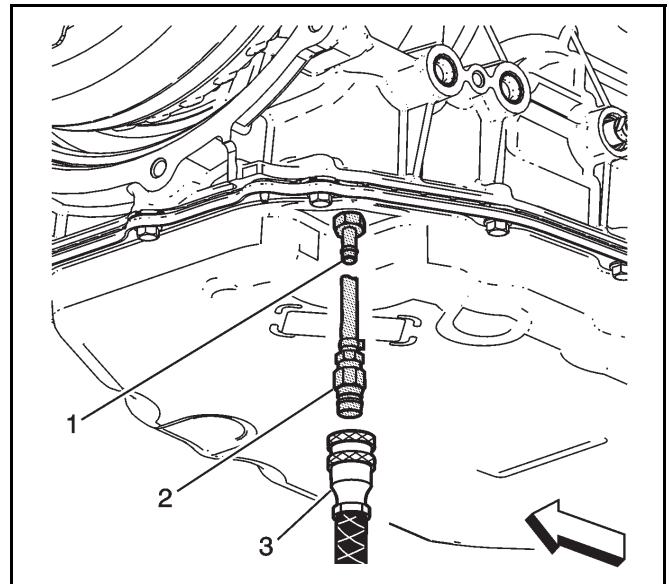
5182541

9. Install the DT-45096-31 adapter (1) to the DT-51190 fluid fill adapter (2).



3723844

10. Remove the level set plug (1) from the transmission oil pan.



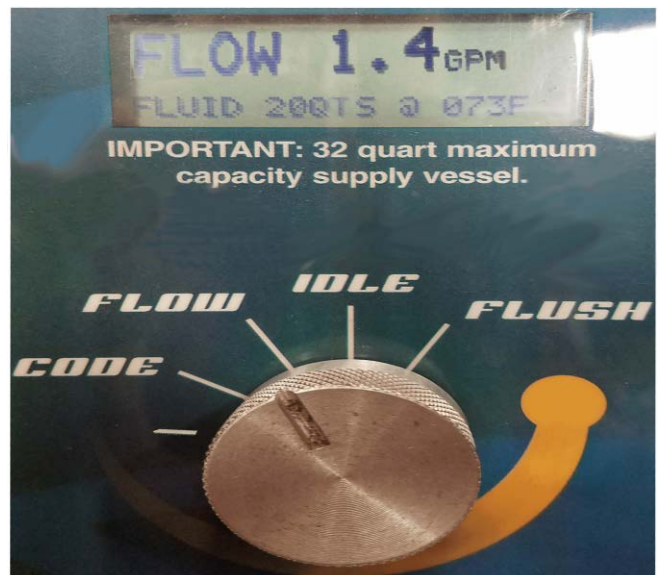
3723839

Important: DO NOT overtighten the DT-51190 as it can be damaged by excessive torque. Do not exceed 9 N•m (80 lb in).

11. Install the DT-51190/DT-45096-31 assembly and hand tighten.
12. Connect the TransFlow fluid feed (supply) line (3) to the DT-45096-31 adapter (2).
13. Lower the vehicle.

Caution: DO NOT REMOVE MORE THAN 3 QTS OF FLUID AS IT COULD CAUSE FLUID PUMP CAVITATION AND POSSIBLY DAMAGE THE TRANSMISSION.

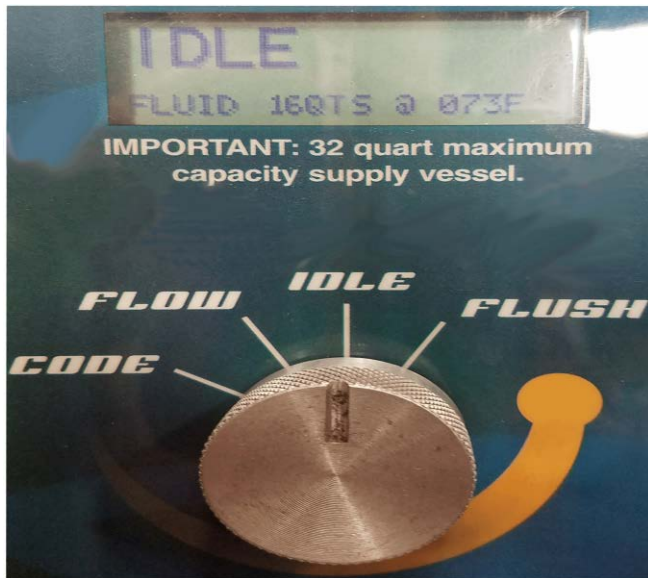
14. Utilizing the graduated bucket, start the engine and run 30-45 seconds until 3 quarts of fluid is expelled.
15. Shut the engine off immediately.
16. Connect the DT-45096 to the vehicle battery 12 volts and connect shop air to the air connection.



5181027

Important: ADDING TOO MUCH FLUID TO THE TRANSMISSION MAY CAUSE FLUID TO BE EXPELLED FROM THE VENT SYSTEM. DO NOT OVERFILL THE TRANSMISSION.

17. Switch the DT-45096 TransFlow to Flow and add 4 quarts of HP to the transmission.



5181020

18. Set the TransFlow switch to idle (Reducing fluid level in the TransFlow from 20–16).
19. Switch the TransFlow DT-45096 to Flow and start the engine:
- 19.1. Add a maximum of 4 quarts of HP Fluid to the transmission, turn the TransFlow switch to idle once 4 quarts have been added, while allowing 4 additional quarts of oil to fill the DT-graduated cylinder (Reducing fluid level in the TransFlow from 16–12).

Note: DO NOT add additional transmission fluid until the 4 quarts of oil have been removed from the transmission (Reducing fluid level in the TransFlow from 12–8).

- 19.2. Repeat step 19.1.
- 19.3. Add a maximum of 5 quarts of HP Fluid to the transmission while allowing 5 additional quarts of oil to fill the DT-graduated bucket (Reducing fluid level in the TransFlow from 8–3).



5181401

- 19.4. Shut the engine off once 16 quarts of oil have been collected.
- 19.5. Properly dispose of the collected transmission fluid.
20. Remove the DT-52263-5 Radiator Cooler Drain Adapter and DT-52263-1 Block Adapter from the transmission oil cooler.
21. Remove the DT-45096-31 from the transmission oil cooler line and install the transmission oil cooler line using a new retaining clip.
22. Install the engine upper air filter box back into position.
23. Partially raise the vehicle.
24. Start the engine.
25. Using care, shift the transmission through all forward ranges and Reverse.
26. Shift the transmission into Park.
27. Perform the Transmission Fluid Level and Condition Check outlined below in this procedure:
 - 27.1. Get the transmission fluid temperature to the proper temperature.
 - 27.2. Raise the vehicle and remove the DT-51190/DT-45096-31 assembly.
 - 27.3. Install the level set plug.

Tighten

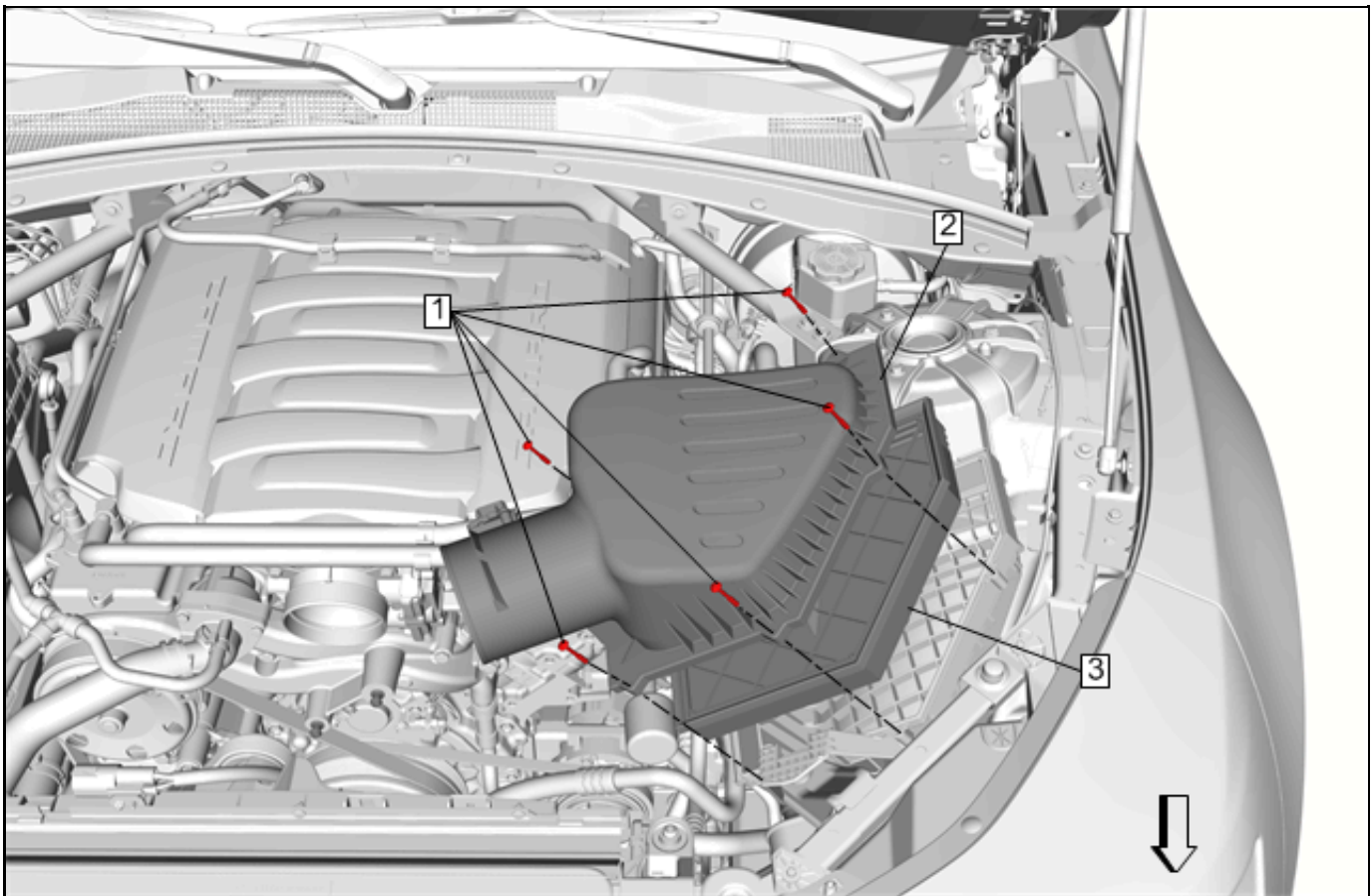
Tighten the plug to 9N•m (80 lb in).

The TCC shudder condition should be directional improved immediately after the fluid exchange procedure. It may take up to 320 km (200 mi) for the TCC shudder condition to be eliminated. It is not a requirement for the dealer to drive the vehicle 320 km (200 mi). The customer should be advised that the full effect will take up to 320 km (200 mi) and a minimum of two cold to operating temperature drive cycles.

Fluid Exchange Procedure – Camaro V8 Not Equipped with a Rear Differential Cooler

Important: This procedure must be followed as published. The exchange process is required to obtain proper level of new blue label Mobil 1 Synthetic LV ATF HP fluid. Intermixing of other types of transmission fluid or aftermarket additive packages will result in a low concentration level of new fluid and will not provide satisfactory results.

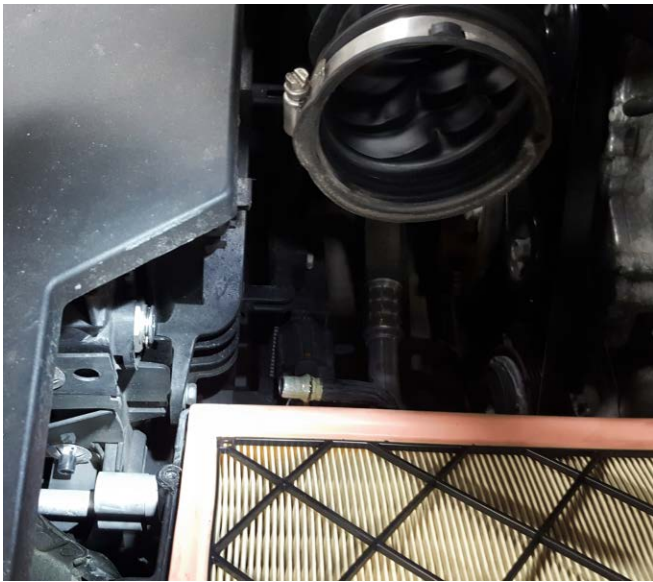
1. Fill the DT-45096 with 20 quarts of HP fluid.



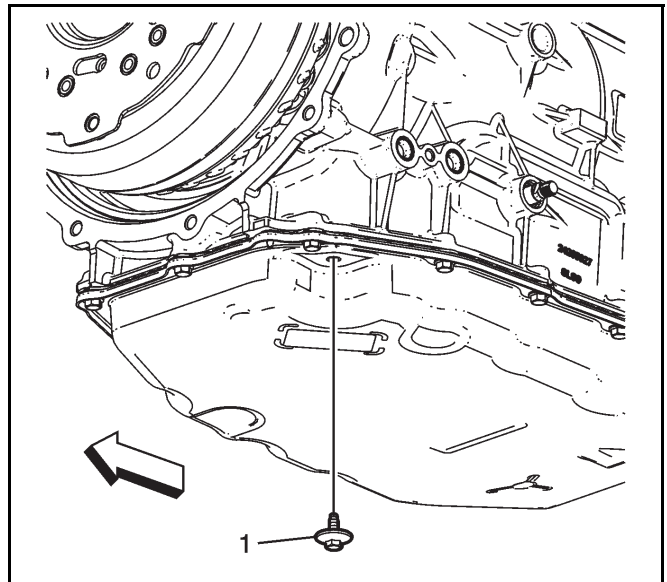
Note: The MAF sensor must stay connected so that no DTCs will set.

4194576

2. Separate the engine upper air filter box (1) from the lower air filter housing to gain access to the upper transmission oil cooler line.



5181307

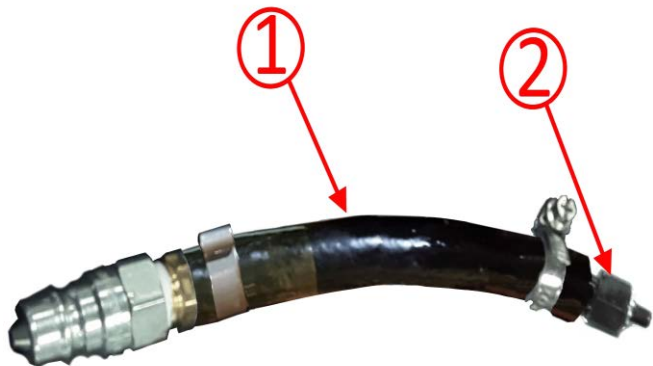


3723844

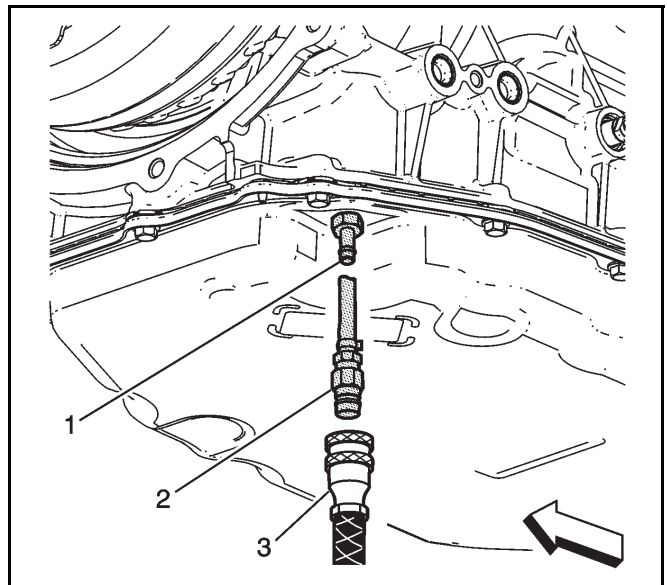
Note: Upper air filter box removed for clarity.

3. Remove the upper cooler line from the transmission oil cooler.
4. Install the DT-52263-2 Cooler Line Plug into the radiator cooler.
5. Install the DT-52263-4 Hose onto DT-52263-1 Block Assembly install the DT-52263-4 onto the removed transmission oil cooler line.
6. Place the hose of the DT-52263-1 in the GE-47716-2 Graduated Measuring Bucket, utilizing a Spring Clamp to retain the hose.
7. Raise the vehicle.

9. Remove the level set plug (1) from the transmission oil pan.



5182541



3723839

8. Install the DT-45096-31 adapter (1) to the DT-51190 fluid fill adapter (2).

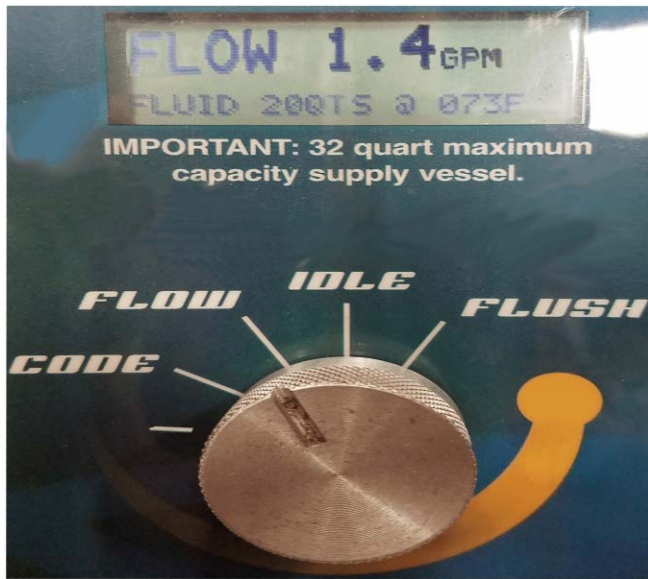
Important: DO NOT overtighten the DT-51190 as it can be damaged by excessive torque. Do not exceed 9 N•m (80 lb in).

10. Install the DT-51190/DT-45096-31 assembly and hand tighten.
11. Connect the TransFlow fluid feed (supply) line (3) to the DT-45096-31 adapter (2).
12. Lower the vehicle.

Caution: DO NOT REMOVE MORE THAN 3 QTS OF FLUID AS IT COULD CAUSE FLUID PUMP CAVITATION AND POSSIBLY DAMAGE THE TRANSMISSION.

13. Utilizing the graduated bucket, start the engine and run 30-45 seconds until 3 quarts of fluid is expelled.

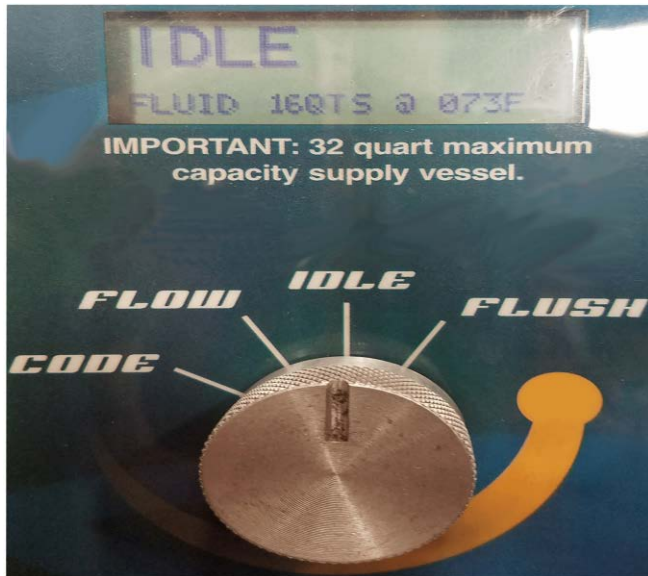
14. Shut the engine off immediately.
15. Connect the DT-45096 to the vehicle battery 12 volts and connect shop air to the air connection.



5181027

Important: ADDING TOO MUCH FLUID TO THE TRANSMISSION MAY CAUSE FLUID TO BE EXPELLED FROM THE VENT SYSTEM. DO NOT OVERFILL THE TRANSMISSION.

16. Switch the DT-45096 TransFlow to Flow and add 4 quarts of HP to the transmission.



5181020

17. Set the TransFlow switch to idle (Reducing fluid level in the TransFlow from 20–16).

18. Switch the TransFlow DT-45096 to Flow and start the engine:
 - 18.1. Add a maximum of 4 quarts of HP Fluid to the transmission, turn the TransFlow switch to idle once 4 quarts have been added, while allowing 4 additional quarts of oil to fill the DT-graduated cylinder (Reducing fluid level in the TransFlow from 16–12).
- Note:** DO NOT add additional transmission fluid until the 4 quarts of oil have been removed from the transmission (Reducing fluid level in the TransFlow from 12–8).
- 18.2. Repeat step 18.1.
 - 18.3. Add a maximum of 5 quarts of HP Fluid to the transmission while allowing 5 additional quarts of oil to fill the DT-graduated bucket (Reducing fluid level in the TransFlow from 8–3).



5181401

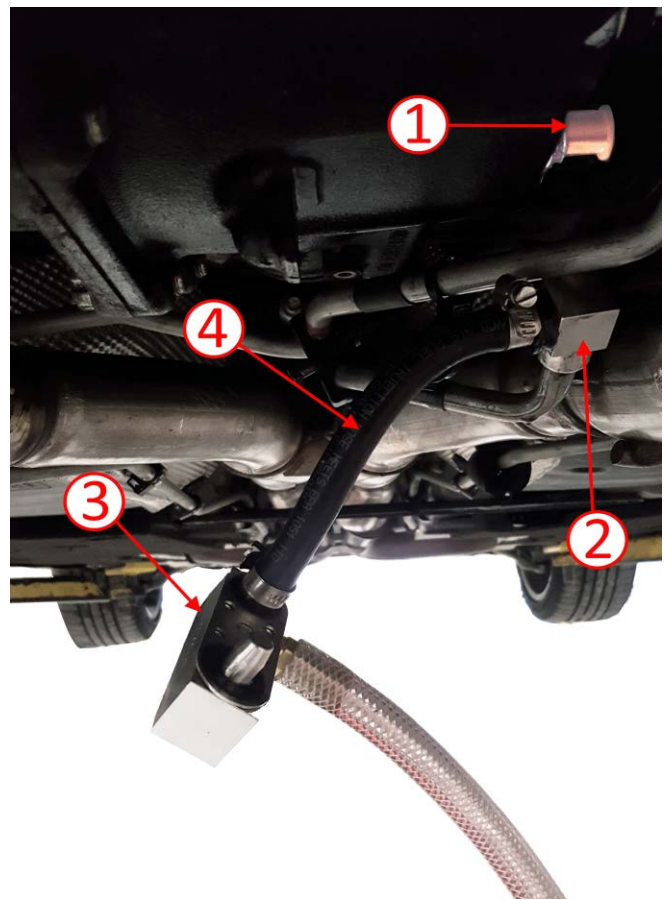
- 18.4. Shut the engine off once 16 quarts of oil have been collected.
- 18.5. Properly dispose of the collected transmission fluid.
19. Remove the DT-52263-4 and DT-52263-1 Block Adapter from the transmission oil cooler line.
20. Remove the DT-52263-2 Cooler Line Plug from the transmission oil cooler at the radiator and install the transmission oil cooler line using a new retaining clip.

21. Install the engine upper air filter box back into position.
22. Partially raise the vehicle.
23. Start the engine.
24. Using care, shift the transmission through all forward ranges and Reverse.
25. Shift the transmission into Park.
26. Perform the Transmission Fluid Level and Condition Check outlined below in this procedure:
 - 26.1. Get the transmission fluid temperature to the proper temperature.
 - 26.2. Raise the vehicle and remove the DT-51190/DT-45096-31 assembly.
 - 26.3. Install the level set plug.

Tighten

Tighten the plug to 9 N•m (80 lb in).

The TCC shudder condition should be directional improved immediately after the fluid exchange procedure. It may take up to 320 km (200 mi) for the TCC shudder condition to be eliminated. It is not a requirement for the dealer to drive the vehicle 320 km (200 mi). The customer should be advised that the full effect will take up to 320 km (200 mi) and a minimum of two cold to operating temperature drive cycles.



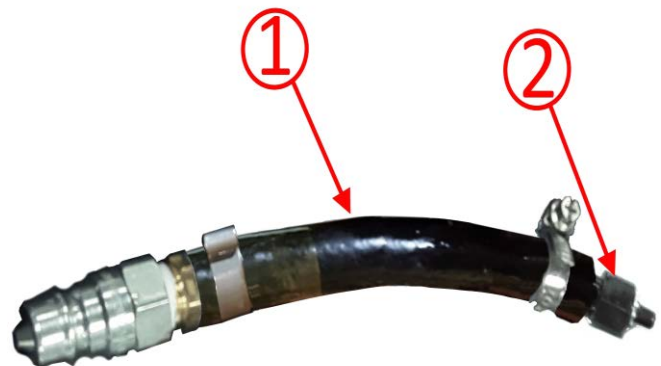
5182245

Fluid Exchange Procedure - Camaro, CTS and ATS Equipped with a Rear Differential Cooler

Important: This procedure must be followed as published. The exchange process is required to obtain proper level of new blue label Mobil 1 Synthetic LV ATF HP fluid. Intermixing of other types of transmission fluid or aftermarket additive packages will result in a low concentration level of new fluid and will not provide satisfactory results.

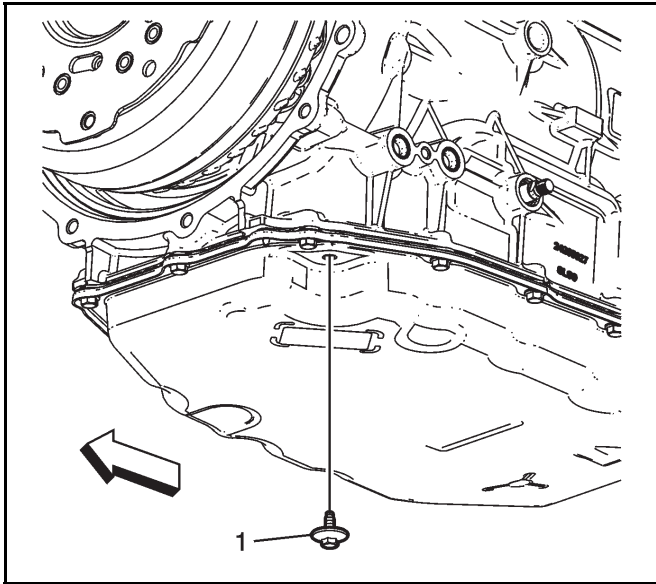
1. Fill the DT-45096 with 20 quarts of HP fluid.
2. Raise the vehicle on a hoist.

3. Remove the lower/front transmission oil cooler line (2) at the rear differential.
4. Install the DT-52263-2 Cooler Line Plug (1) into the rear differential to prevent fluid loss.
5. Install one end of the DT-52263-4 hose (4) to the open port of the DT-52263-1 Block Assembly (3).
6. Install the other end of the DT-52263-4 hose to the transmission oil cooler line.
7. Place the hose in the GE-47716-2 Graduated Measuring Bucket, utilizing a Spring Clamp to retain the hose.



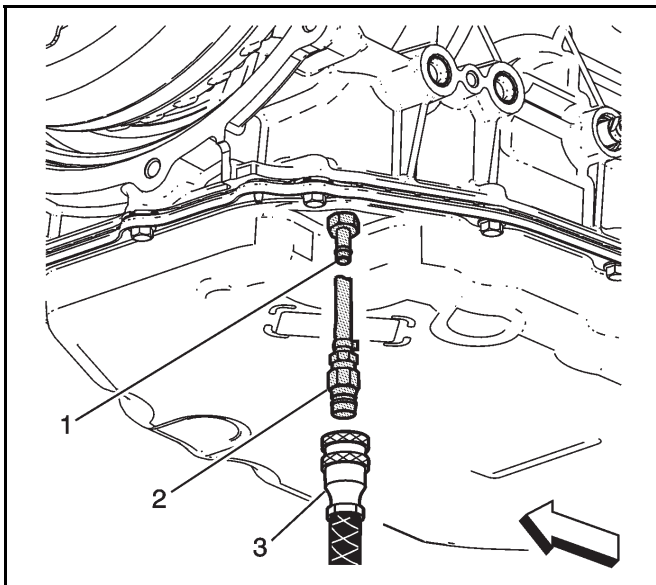
5182541

8. Install the DT-45096-31 adapter (1) to the DT-51190 fluid fill adapter (2).



3723844

9. Remove the level set plug (1) from the transmission oil pan.



3723839

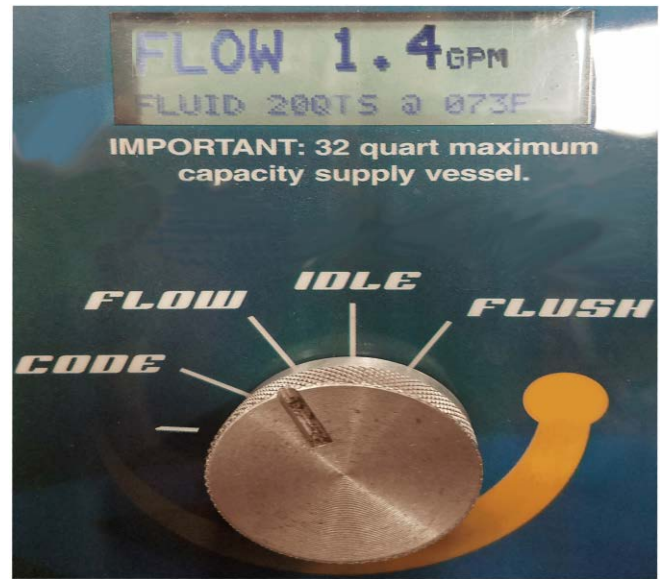
Important: DO NOT over tighten the DT-51190 as it can be damaged by excessive torque. Do not exceed 9 N•m (80 lb in).

10. Install the DT-51190/DT-45096-31 assembly and hand tighten.
 11. Connect the TransFlow fluid feed (supply) line (3) to the DT-45096-31 adapter (2).
 12. Lower the vehicle.

Caution: DO NOT REMOVE MORE THAN 3 QTS OF FLUID AS IT COULD CAUSE FLUID PUMP CAVITATION AND POSSIBLY DAMAGE THE TRANSMISSION.

13. Utilizing the graduated bucket, start the engine and run 30-45 seconds until 3 quarts of fluid is expelled.

14. Shut the engine off immediately.
 15. Connect the DT-45096 to the vehicle battery 12 volts and connect shop air to the air connection.



5181027

16. Switch the TransFlow DT-45096 to Flow and add 4 quarts of HP to the transmission.
 17. Set the TransFlow switch to idle (Reducing fluid level in the TransFlow from 20–16).
 18. Switch the TransFlow DT-45096 to Flow and start the engine:
 18.1. Add a maximum of 4 quarts of HP Fluid to the transmission, turn the TransFlow switch to idle once 4 quarts have been added, while allowing 4 additional quarts of oil to fill the DT-graduated bucket (Reducing fluid level in the TransFlow from 16–12).

Note: DO NOT add additional transmission fluid until the 4 quarts of oil have been removed from the transmission (Reducing fluid level in the TransFlow from 12–8).

- 18.2. Repeat step 18.1.

- 18.3. Add a maximum of 5 quarts of HP Fluid to the transmission while allowing 5 additional quarts of oil to fill the DT-graduated bucket (Reducing fluid level in the TransFlow from 8–3).



5181401

18.4. Shut the engine off once 16 quarts of fluid have been collected.

18.5. Properly dispose of the collected transmission fluid.

19. Raise the vehicle.
20. Remove the DT-52263-2 Cooler Line Plug from rear differential and install the transmission oil cooler line using a new retainer clip.
21. Remove the DT-52263-4 from the transmission oil cooler line.
22. Install the transmission oil cooler line using a new retainer clip.
23. Partially lower the vehicle.
24. Using care, shift the transmission through all forward ranges and Reverse.
 - 24.1. Get the transmission fluid temperature to the proper temperature.
 - 24.2. Raise the vehicle and remove the DT-51190/DT-45096-31 assembly.
 - 24.3. Install the level set plug.

Tighten

Tighten the plug to 9 N•m (80 lb in).

The TCC shudder condition should be directional improved immediately after the fluid exchange procedure. It may take up to 320 km (200 mi) for the TCC shudder condition to be eliminated. It is not a requirement for the dealer to drive the vehicle 320 km

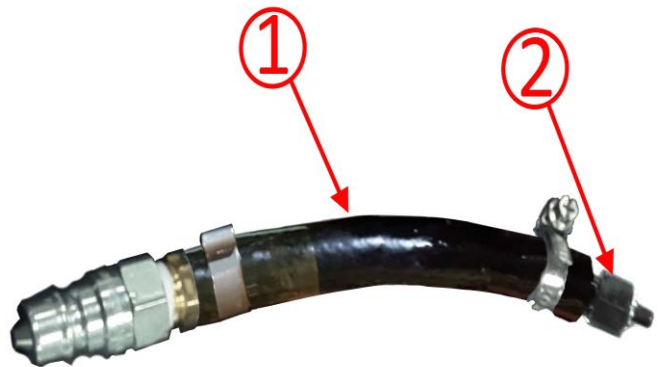
(200 mi). The customer should be advised that the full effect will take up to 320 km (200 mi) and a minimum of two cold to operating temperature drive cycles.

Fluid Exchange Procedure - Corvette and CT6

Important: The Drain and Fill Procedure Will Need to be Performed Three Times.

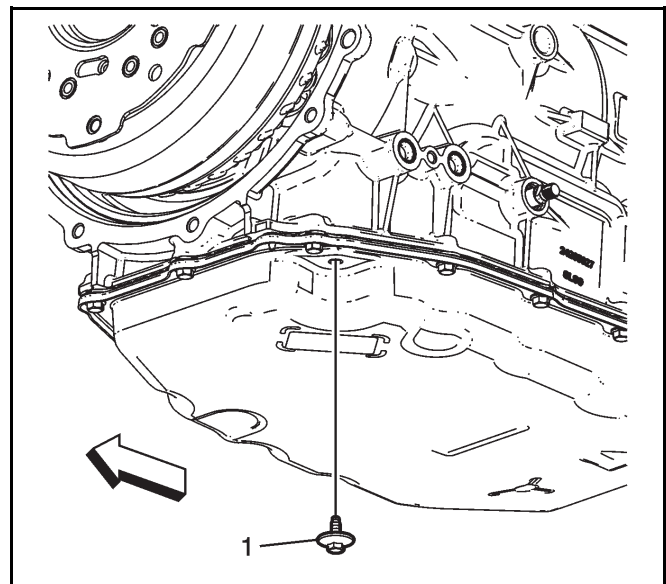
Important: This procedure must be followed as published. The exchange process is required to obtain proper level of new blue label Mobil 1 Synthetic LV ATF HP fluid. Intermixing of other types of transmission fluid or aftermarket additive packages will result in a low concentration level of new fluid and will not provide satisfactory results.

1. Fill the DT-45096 with 24 quarts of HP fluid.
2. Raise the vehicle.
3. Using care, remove the transmission oil pan and drain the transmission fluid.
4. Install the transmission oil pan.



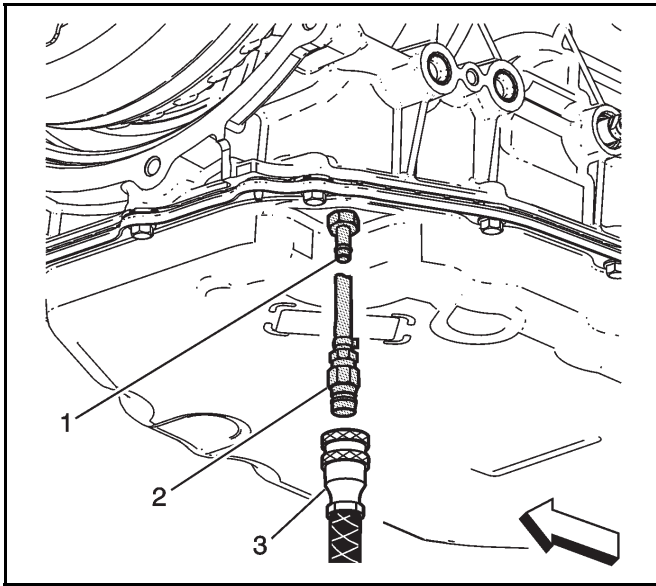
5182541

5. Install the DT-45096-31 adapter (1) to the DT-51190 fluid fill adapter (2).



3723844

6. Remove the level set plug (1) from the transmission oil pan.



3723839

Important: DO NOT over tighten the DT-51190 as it can be damaged by excessive torque. Do not exceed 9 N•m (80 lb in).

7. Install the DT-51190/DT-45096-31 assembly and hand tighten.
8. Connect the TransFlow fluid feed (supply) line (3) to the DT-45096-31 adapter (2).
9. Connect the DT-45096 TransFlow to the vehicle battery 12 volts and connect shop air to the air connection.
10. Switch the DT-45096 TransFlow to Flow and fill the transmission with 8 quarts of transmission fluid.
 - 10.1. Switch the DT-45096 TransFlow to idle.
11. Partially lower the vehicle and run the transmission through all 8 forward gears, Reverse and Neutral.
12. Repeat steps 2-4 and 9-10 for 2nd drain and fill.
13. Repeat step 2-3, clean the transmission oil pan and magnet, repeat step 4 and step 10-11.
14. Perform the Transmission Fluid Level and Condition Check outlined below in this procedure:
 - 14.1. Get the transmission fluid temperature to the proper temperature.
 - 14.2. Raise the vehicle and remove the DT-51190/DT-45096-31 assembly.
 - 14.3. Install the level set plug.

Tighten

Tighten the plug to 9 N•m (80 lb in).

The TCC shudder condition should be directional improved immediately after the fluid exchange procedure. It may take up to 320 km (200 mi) for the TCC shudder condition to be eliminated. It is not a requirement for the dealer to drive the vehicle 320 km (200 mi). The customer should be advised that the full effect will take up to 320 km (200 mi) and a minimum of two cold to operating temperature drive cycles.

Transmission Fluid Level and Condition Check

This procedure checks both the transmission fluid level, as well as the condition of the fluid itself. Because the transmission on this vehicle is not equipped with a fill tube and dipstick, a tube in the bottom pan is used to set the fluid level.

Warning: The transmission fluid level must be checked when the transmission fluid temperature (TFT) is between 35–45°C (95–113°F). If the TFT is not within this range, either idle or brake torque the vehicle to raise the fluid temperature, or shut off the vehicle to allow the fluid to cool as required. Setting the fluid level with a TFT outside this range will result in either an under or over-filled transmission. $TFT > 45^{\circ}\text{C}$ = under-filled, $TFT < 35^{\circ}\text{C}$ = over-filled. An under-filled transmission will cause premature component wear or damage. An over-filled transmission will cause fluid to discharge out the vent tube, possibly causing a fire that may result in serious bodily injury or severe vehicle damage, fluid foaming, or pump cavitation.

Note: Silverado, Sierra, Yukon and Escalade Models equipped with a thermal bypass valve, the transmission fluid level should be checked only after the TFT has reached or exceeded an operating temperature of 90°C (194°F). Once the TFT has reached or exceeded 90°C (194°F), then turn OFF the vehicle and allow the TFT to cool back down to 35-45°C (95-113°F) before checking the fluid level as required. Reaching or exceeding an operating temperature of 90°C (194°F) opens the bypass valve and allows the cooler to fill up with fluid, which will result in a more accurate fluid level check.

1. Observe the TFT using the driver information center (DIC) or a scan tool.
2. Start and idle the engine.
3. Depress the brake pedal and move the shift lever through each gear range.
 - 3.1. Pause for at least 3 seconds in each range.
 - 3.2. Move the shift lever back to PARK.
 - 3.3. Ensure the engine RPM is low (500–800 RPM).
4. Allow the engine to idle for a minimum time of 1 minute.

Caution: THE ENGINE MUST BE RUNNING when the trans oil level check plug is removed or excessive fluid loss will occur, resulting in an under-filled condition. An under-filled transmission will cause premature component wear or damage.

5. Raise the vehicle on a hoist.
 - ⇒ The vehicle must be level, with the engine running and the shift lever in the PARK range.

Note: Continue to monitor the TFT. If the TFT is not within the specified values, reinstall the trans oil level check plug and repeat the previous steps.

6. Remove the transmission oil level check plug (1) from the transmission fluid pan.

7. Allow any fluid to drain.
 - If the fluid is flowing as a steady stream, wait until the fluid begins to drip.
 - If no fluid comes out, add fluid until fluid drips out. Refer to *Transmission Fluid Fill Procedure* in SI.
8. Reinstall the transmission oil level check plug.

Tighten
Tighten the plug to 9 N•m (80 lb in).
9. Inspect for external leaks. Refer to *Fluid Leak Diagnosis* in SI.

Parts Information

Note: Only select the parts that coincide with the repair performed.

Causal Part	Description	Part Number	Qty
X	Mobil 1 Synthetic LV ATF HP (Available only through Local GM Oil Distributors)	19417577 (US - 1 quart)	20
		19418066 (Canada - 0.946L/1 qt)	24 (CT6, Corvette)
N/A		Drum 55 gallon 19417904 (US)	1
N/A	RETAINER, TRANS FLUID CLR PIPE FTG	24205103	2
N/A	SEAL, TRANS FLUID CLR PIPE	23135703	1

Warranty Information

For vehicles repaired under the Powertrain coverage, use the following labor operation. Reference the Applicable Warranties section of Investigate Vehicle History (IVH) for coverage information.

Labor Operation	Description	Labor Time
8480818*	Fluid Exchange	1.1 hrs
Add	CT6 AWD Triple Drain and Fill	1.0 hr
Add	CT6 RWD Triple Drain and Fill	1.6 hrs
Add	Corvette RWD Triple Drain and Fill	1.6 hrs
Add	DT-45096 Prep (Not required unless the fluid is not Mobil 1 Synthetic LV ATF HP)	0.1 hr

*This is a unique Labor Operation for Bulletin use only.

Version	5
Modified	<p>Released January 17, 2019</p> <p>Revised March 01, 2019 – Added Canada, Middle East Operations, Mexico and Export Region reference to Attention statement, added Canada and Middle East Operations to Involved Region or Country, added printing information to the Important statement under PicoScope Test section and added fluid part number for Canada, a Note and two additional part numbers in the Parts Information section.</p> <p>Revised May 21, 2019 – Added Date Breakpoints in Models section, Fluid Exchange Procedure for V8 Camaro, additional information to TCC Shudder condition paragraph at the end of each procedure, added missing 4 quarts of HP fluid to the vehicles with Rear Differential Cooler sections and added Pico and GDS screen shots.</p> <p>Revised July 08, 2019 - Updated the Warranty Information section, removed all of the Diagnostic and Pico testing information.</p> <p>Revised July 29, 2019 - Update Labor Operation time to 1.1 hrs.</p>

